



US00D369948S

# United States Patent [19]

[11] Patent Number: **Des. 369,948**

**Tobiasz**

[45] Date of Patent: **\*\*May 21, 1996**

[54] **HAMBURGER PATTY PRESS**

*Primary Examiner*—Terry A. Wallace  
*Attorney, Agent, or Firm*—Terry M. Gernstein

[76] Inventor: **Joseph Tobiasz**, P.O. Box 7652, Mesa, Ariz. 85216-7652

[57] **CLAIM**

[\*\*] Term: **14 Years**

The ornamental design for a hamburger patty press, as shown and described.

[21] Appl. No.: **37,274**

**DESCRIPTION**

[22] Filed: **Apr. 10, 1995**

[52] U.S. Cl. .... **D7/674**

[58] Field of Search ..... D7/672-674; 425/338, 425/357, 409, 410, 422

FIG. 1 is a front, top and side perspective view of the hamburger patty press showing my new design in the open condition;

FIG. 2 is a front elevational view thereof;

FIG. 3 is a rear elevational view thereof;

FIG. 4 is a side elevational view thereof, the side opposite being a mirror image of the side shown in FIG. 4;

FIG. 5 is a top plan view thereof;

FIG. 6 is a bottom plan view thereof; and,

FIG. 7 is a top perspective view thereof in the closed condition showing four inserts that can be placed in the bores visible in FIG. 1.

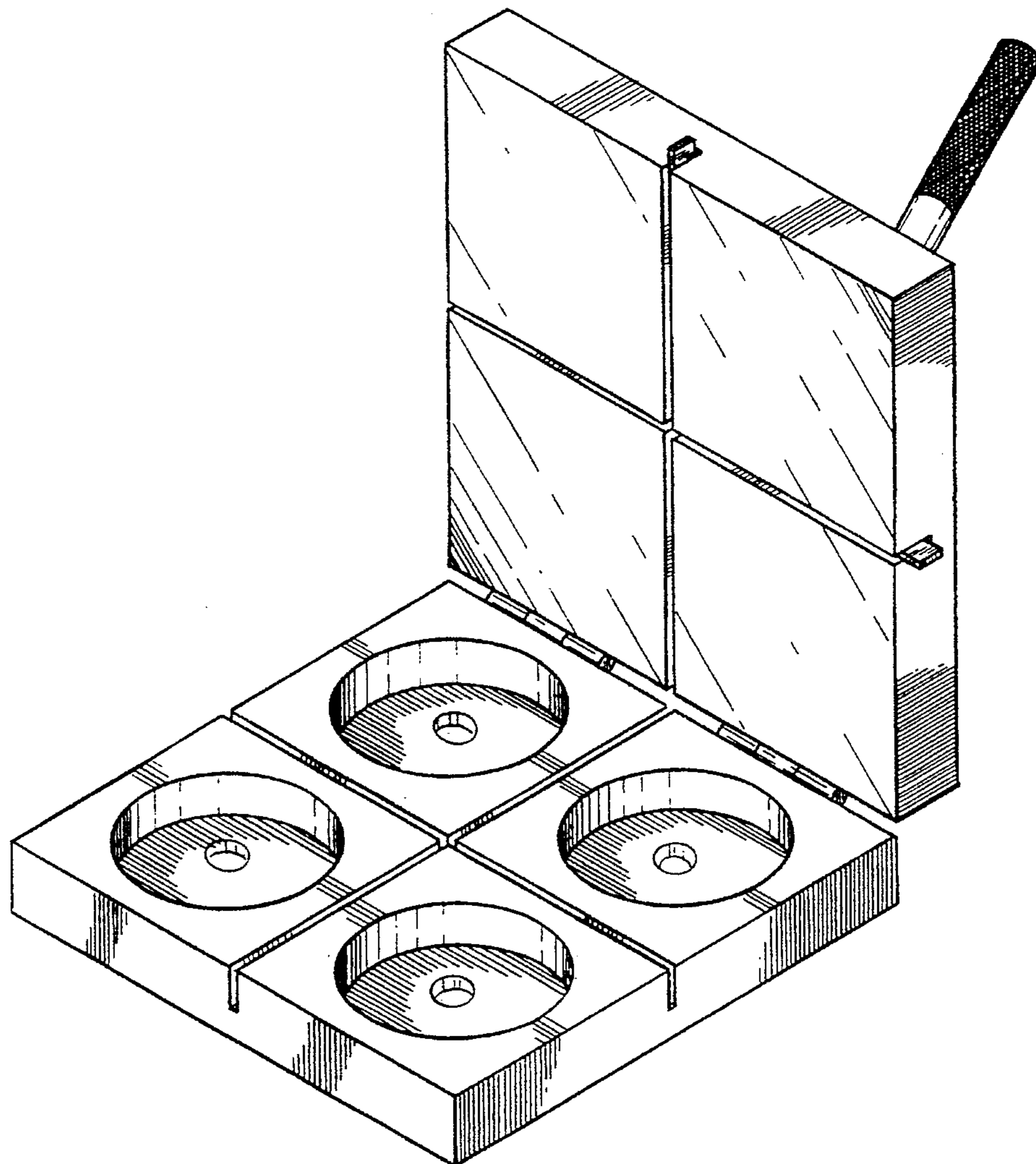
FIGS. 2-6 are shown in a closed position.

[56] **References Cited**

**U.S. PATENT DOCUMENTS**

D. 58,050	5/1921	Tschanta	.....	D7/674	X
D. 77,875	3/1929	Bedel	.....	D7/674	
D. 224,928	10/1972	Wiley	.....	D7/672	X
3,775,809	12/1973	Roedel	.....	D7/672	
3,909,881	10/1975	Anderson	.....	D7/672	
3,934,308	1/1976	Neri	.....	D7/672	
3,943,602	3/1976	Siclari	.....	D7/672	

**1 Claim, 4 Drawing Sheets**



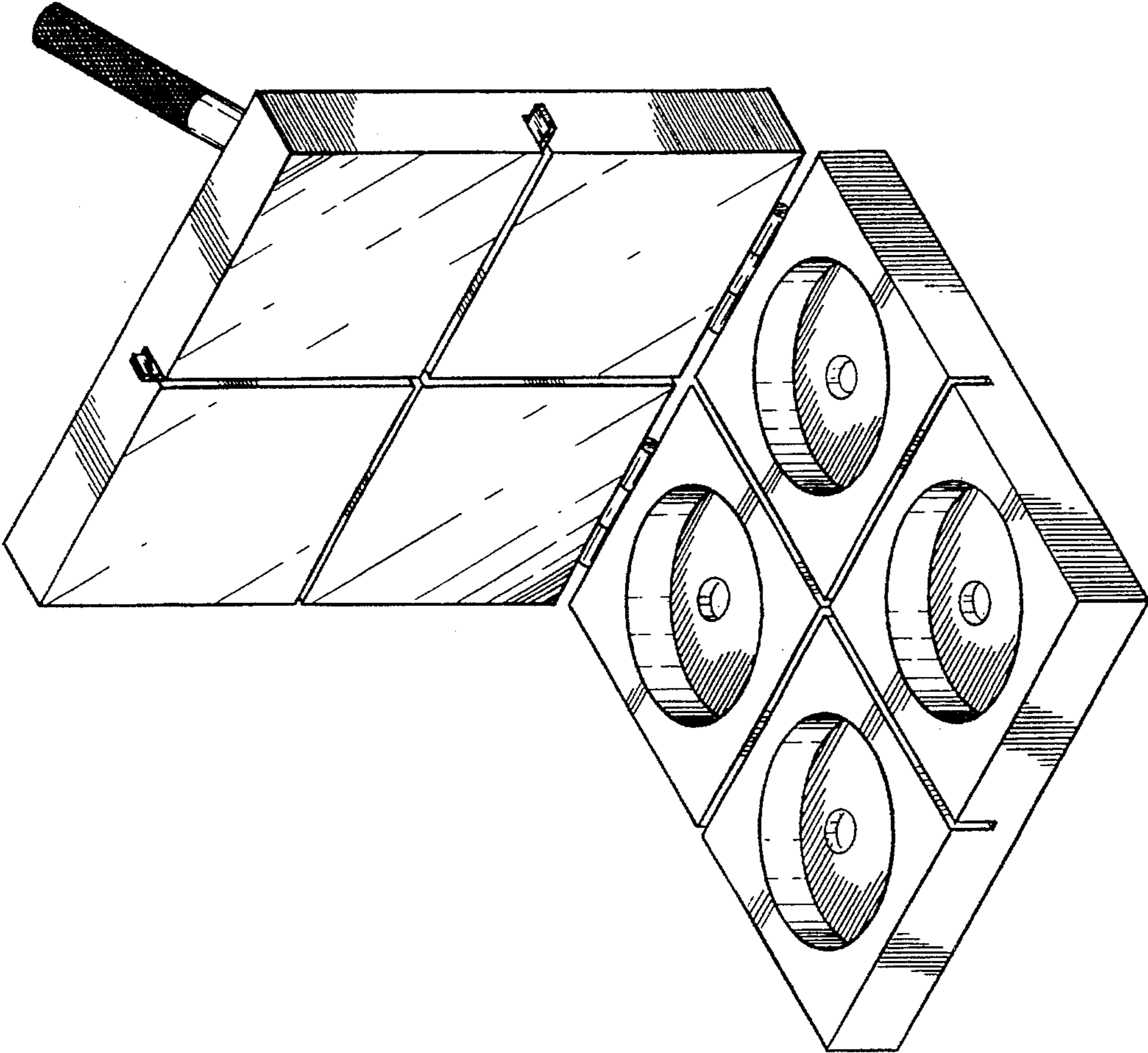


FIG.1

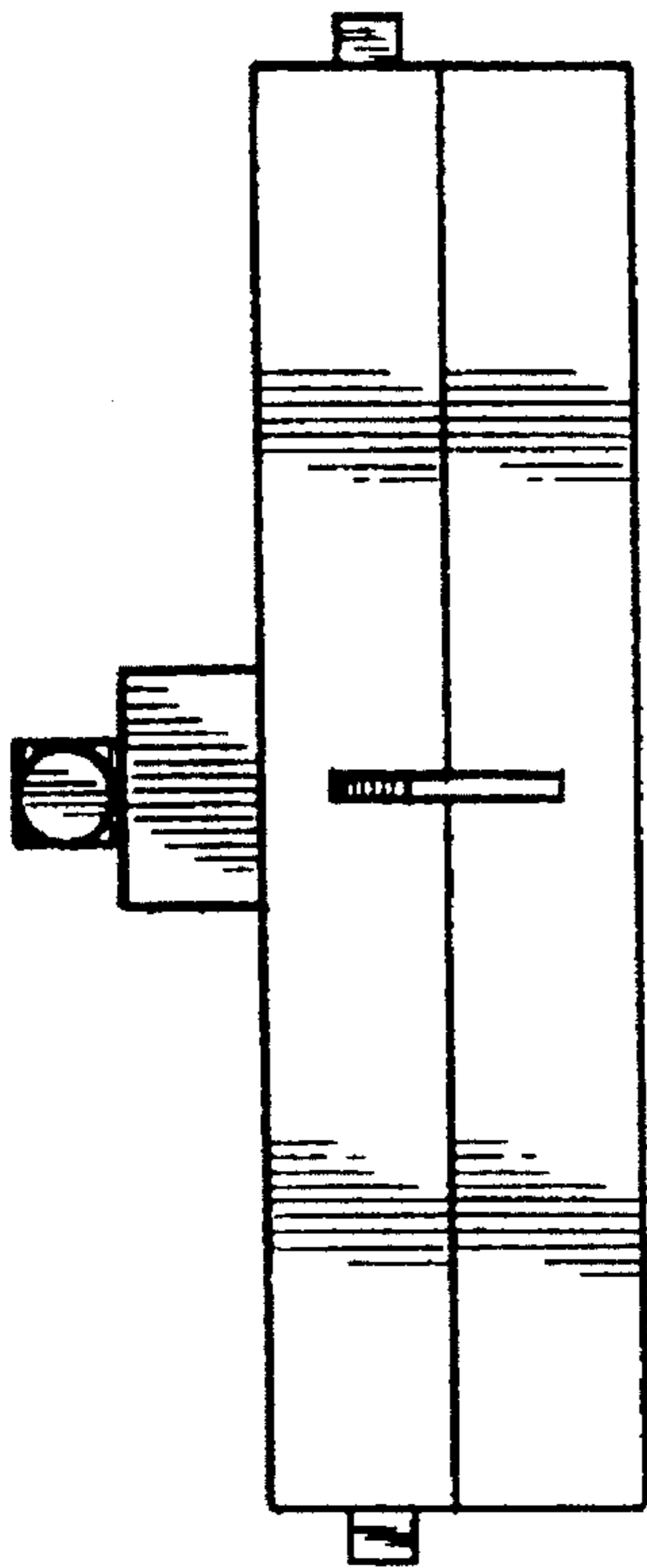


FIG. 2

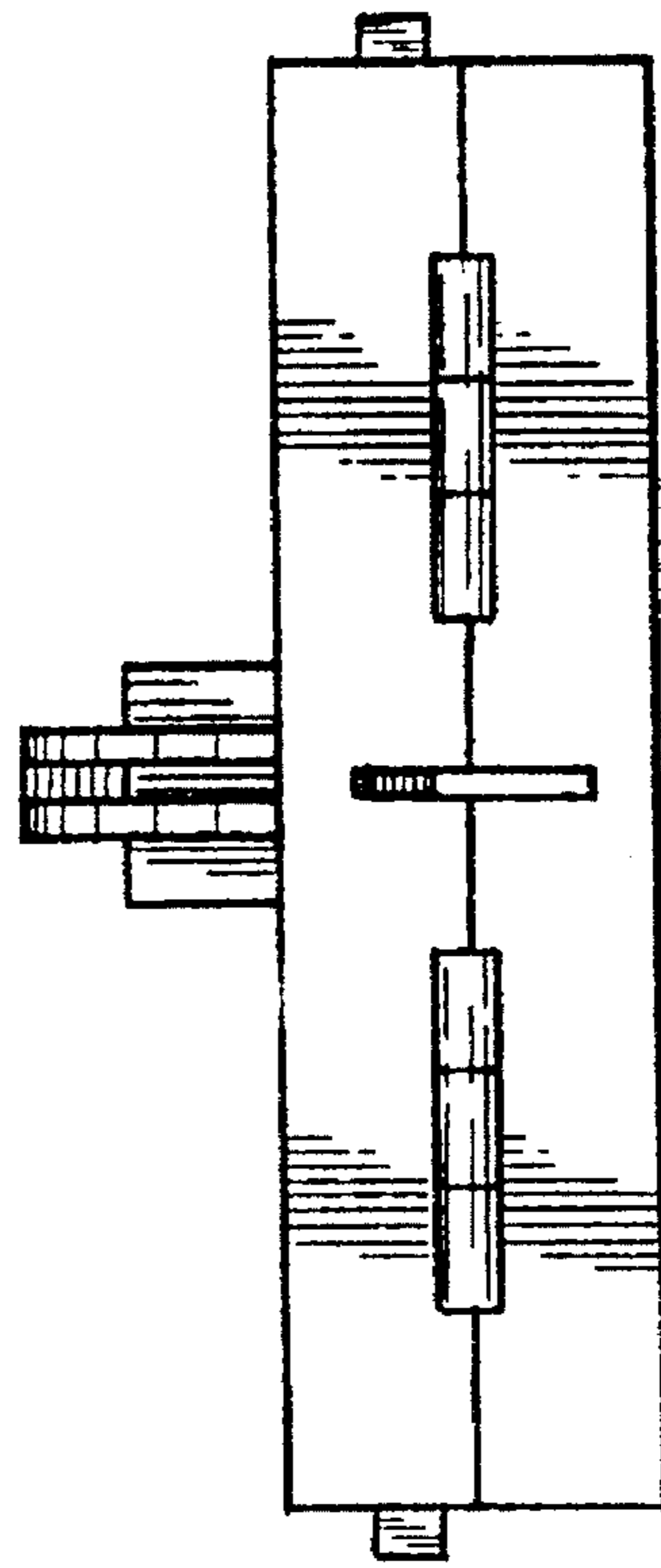


FIG. 3

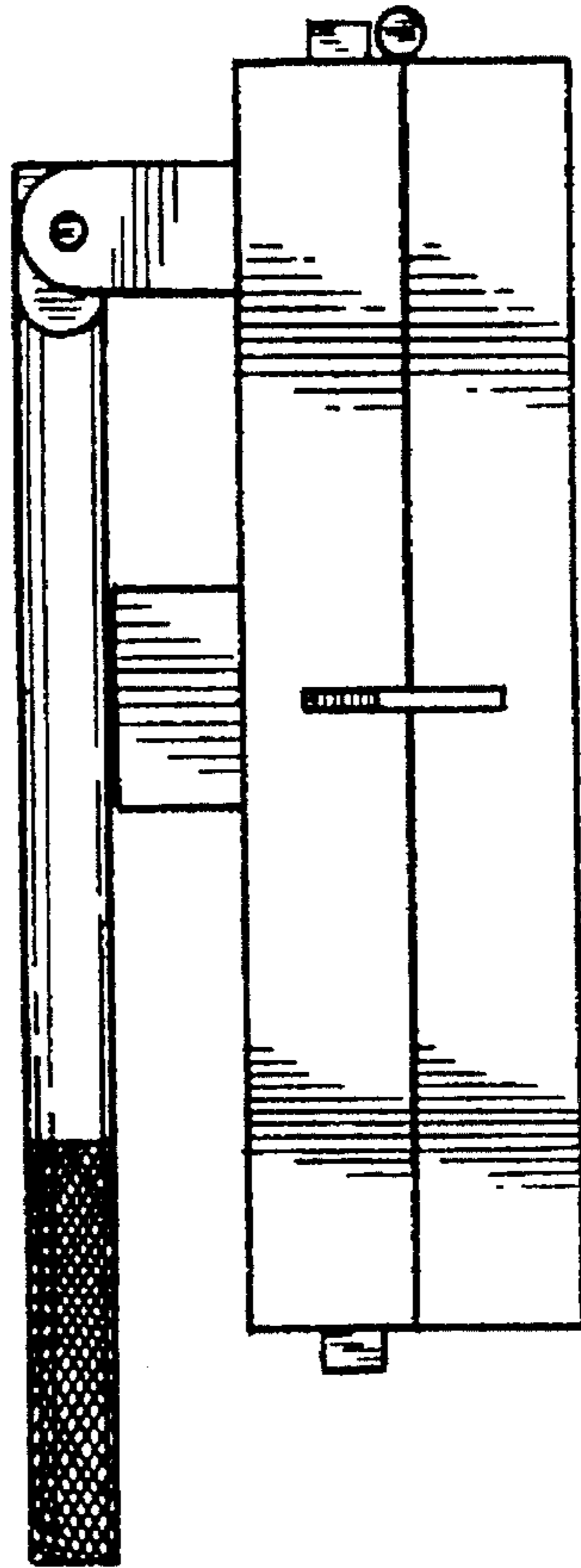


FIG. 4

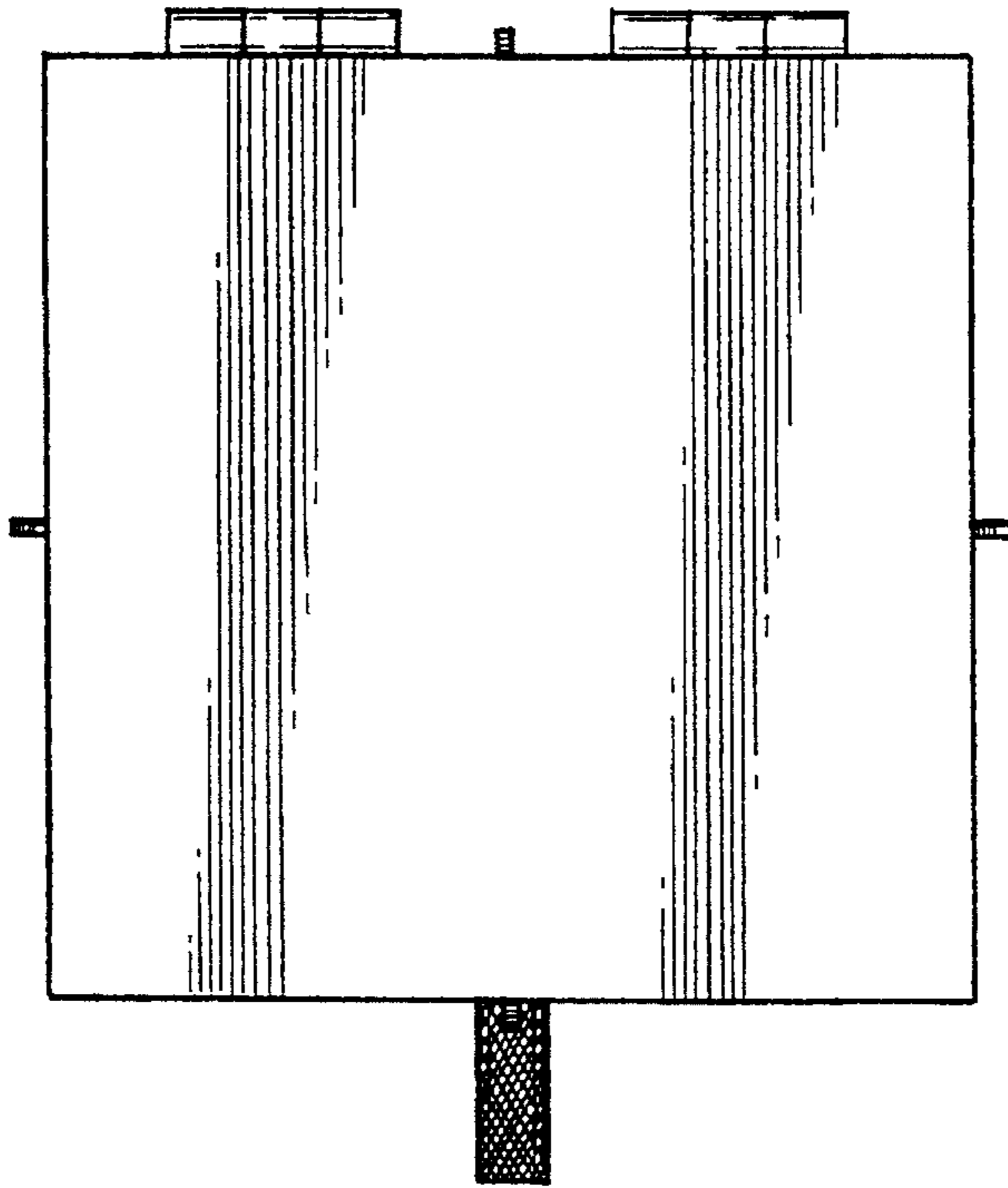


FIG. 6

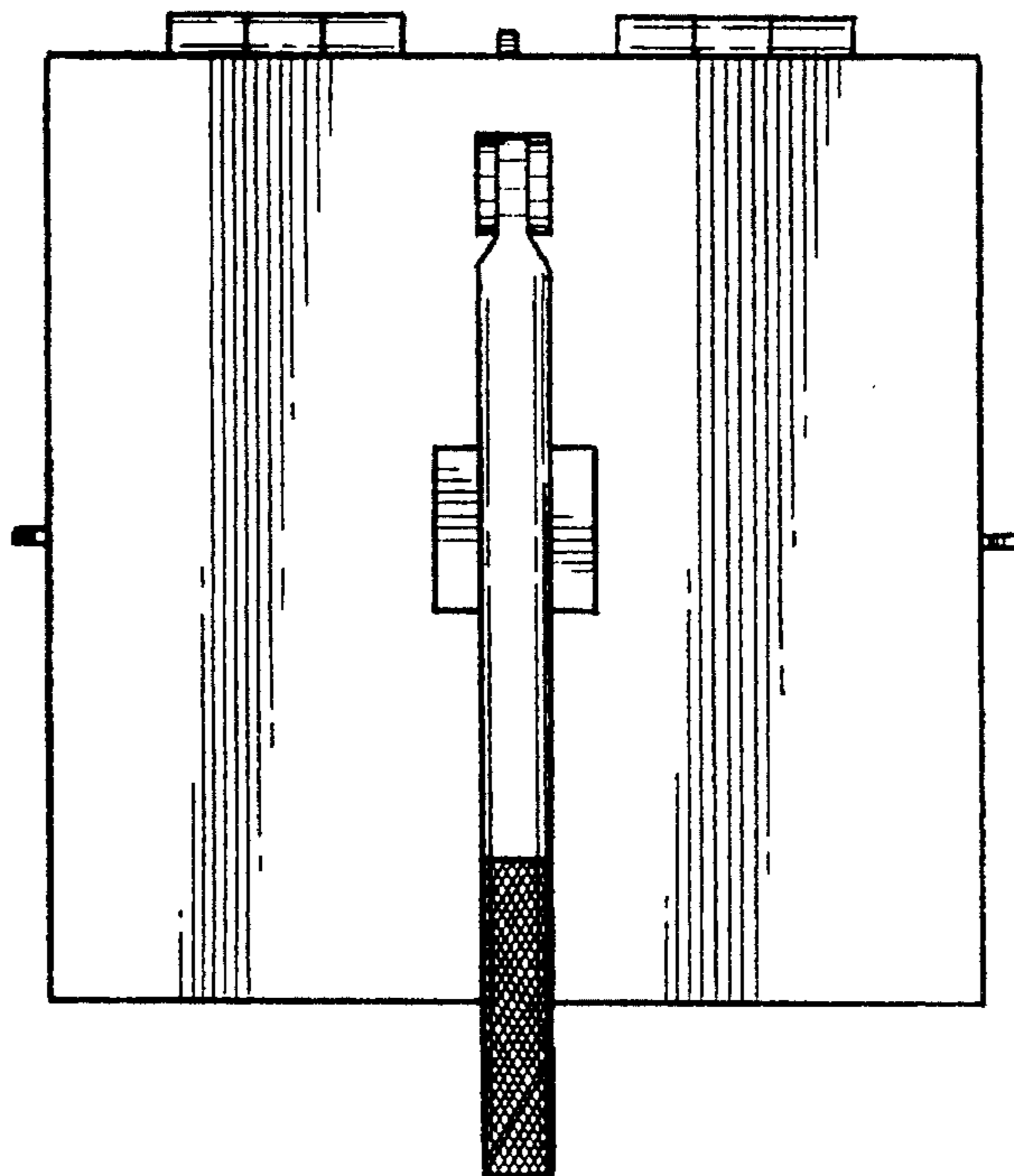


FIG. 5

FIG. 7

