



US00D369947S

# United States Patent [19]

Herbert

[11] Patent Number: **Des. 369,947**

[45] Date of Patent: **\*\*May 21, 1996**

[54] CAN SUPPORT

[76] Inventor: **Anthony P. Herbert**, 14 Greenway, Harpenden, Hertfordshire, United Kingdom

[\*\*] Term: **14 Years**

[21] Appl. No.: **34,884**

[22] Filed: **Feb. 15, 1995**

### [30] Foreign Application Priority Data

Aug. 18, 1994 [GB] United Kingdom ..... 2041062

[52] U.S. Cl. .... **D7/620**

[58] Field of Search ..... D7/619, 620, 622, D7/623; 248/146, 156, 311.2, 530, 545, 546

### [56] References Cited

#### U.S. PATENT DOCUMENTS

D. 358,967 6/1995 Knighton ..... D7/620  
2,399,498 4/1946 Messick ..... 248/156 X

2,506,321 5/1950 Vosburgh ..... D7/620 X  
3,273,841 9/1966 Cota ..... 248/156 X  
4,334,661 6/1982 Pitt ..... D7/620

*Primary Examiner*—Terry A. Wallace  
*Attorney, Agent, or Firm*—Oliff & Berridge

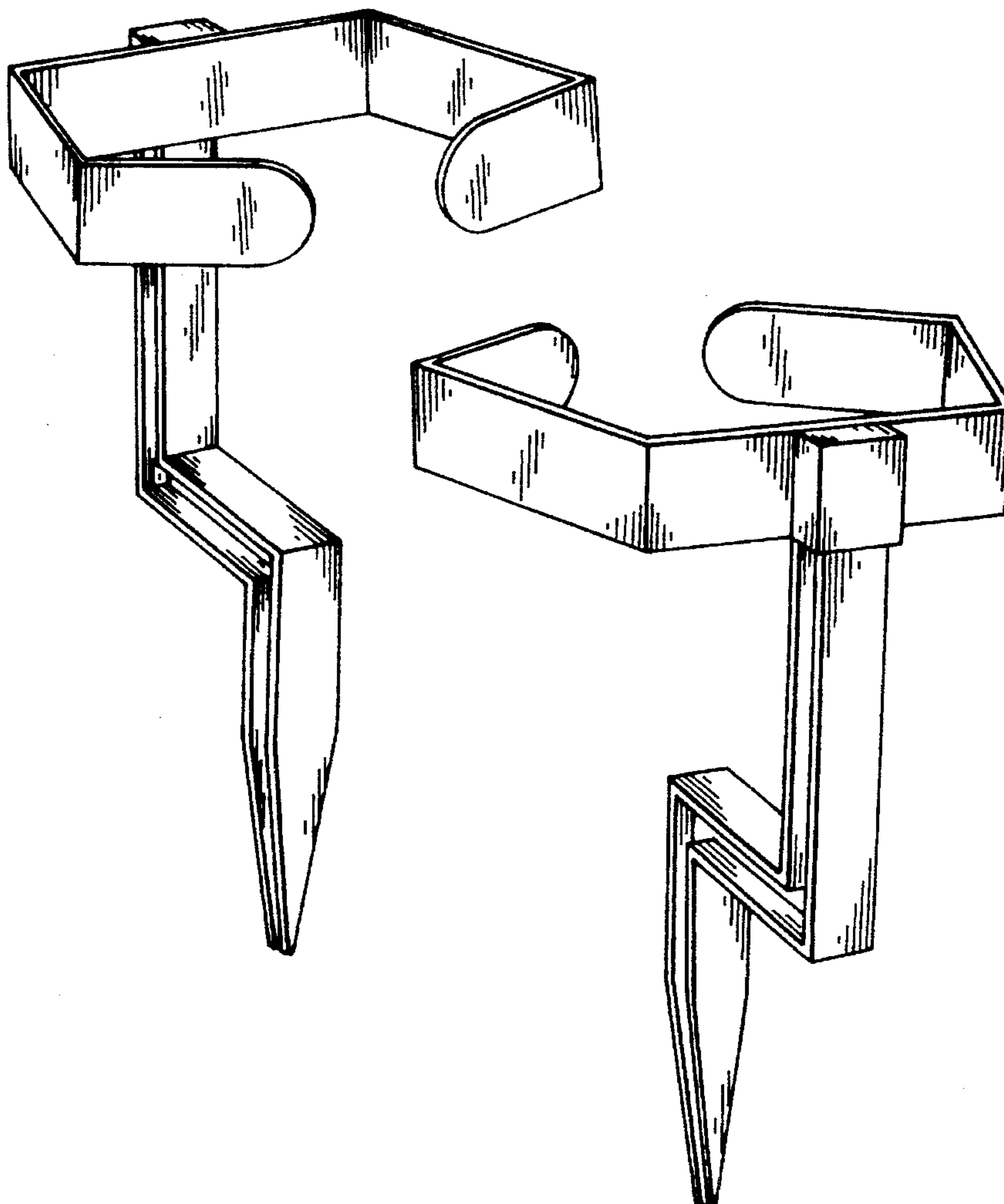
### [57] CLAIM

The ornamental design for a can support, as shown.

### DESCRIPTION

FIG. 1 is a front perspective view of a can support showing my new design;  
FIG. 2 is a rear perspective view thereof;  
FIG. 3 is a front elevation view thereof;  
FIG. 4 is a rear elevation view thereof;  
FIG. 5 is a right side elevation view thereof;  
FIG. 6 is a left side elevation view thereof;  
FIG. 7 is a top plan view thereof; and,  
FIG. 8 is a bottom plan view thereof.

**1 Claim, 4 Drawing Sheets**



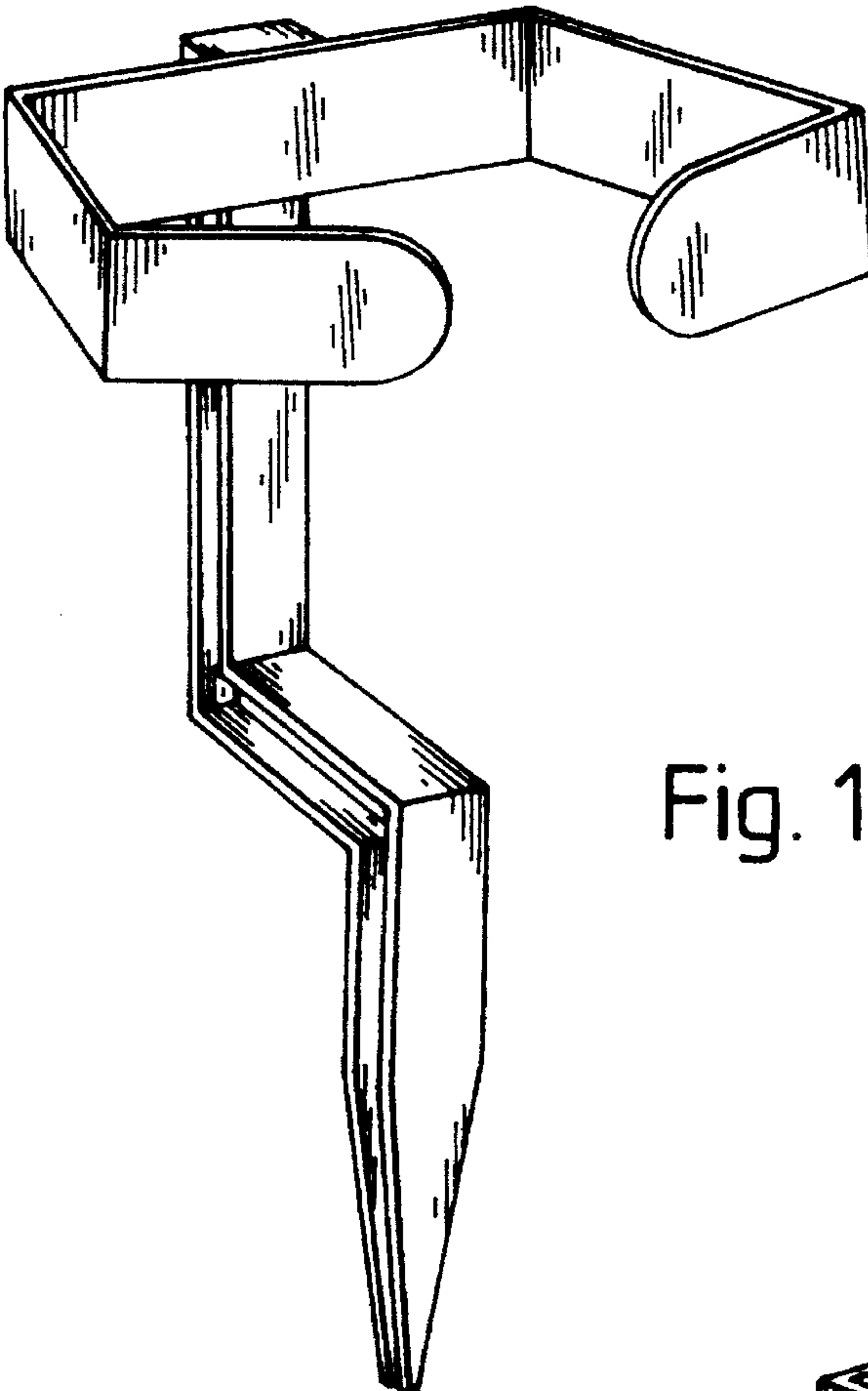


Fig. 1

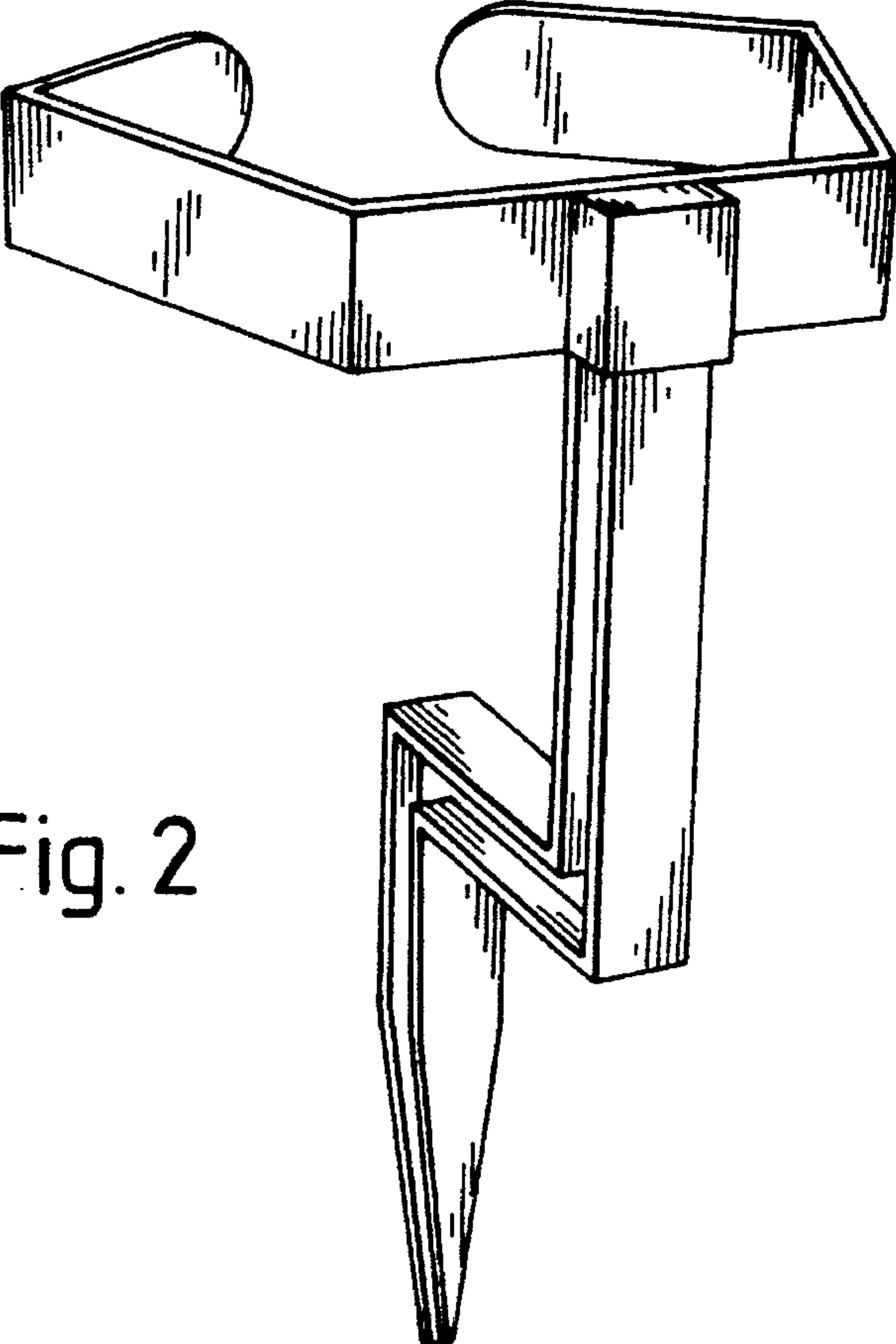


Fig. 2

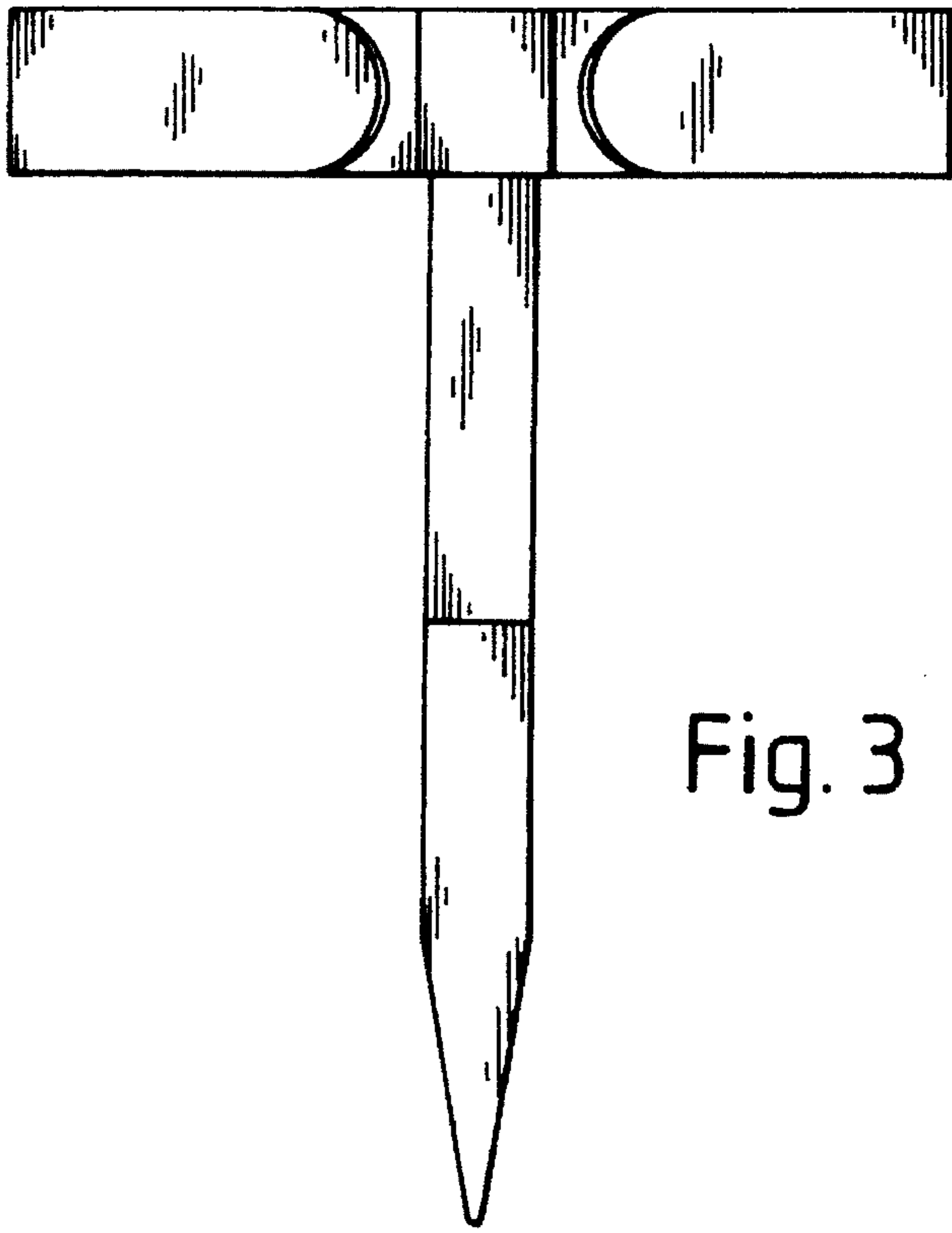


Fig. 3

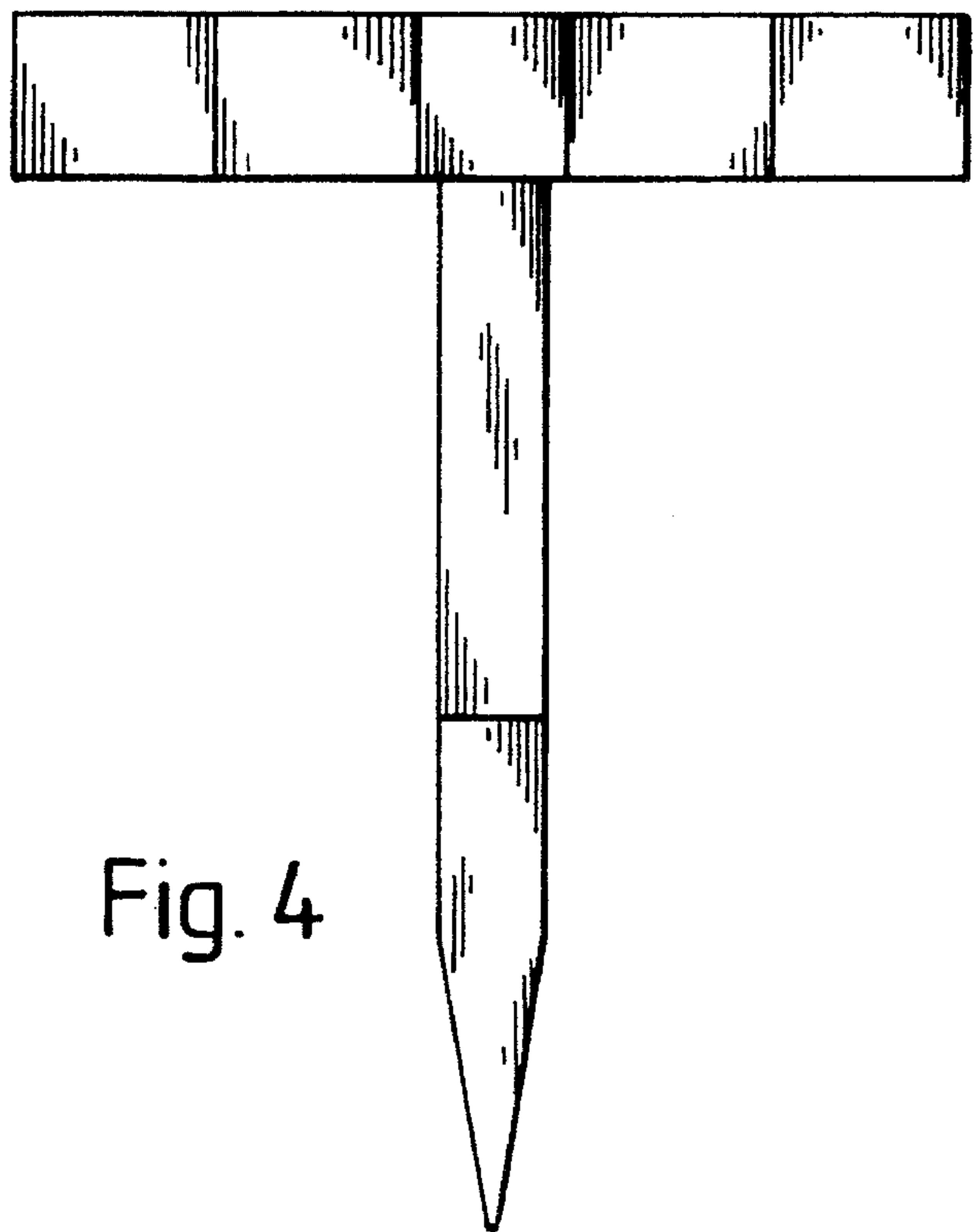


Fig. 4

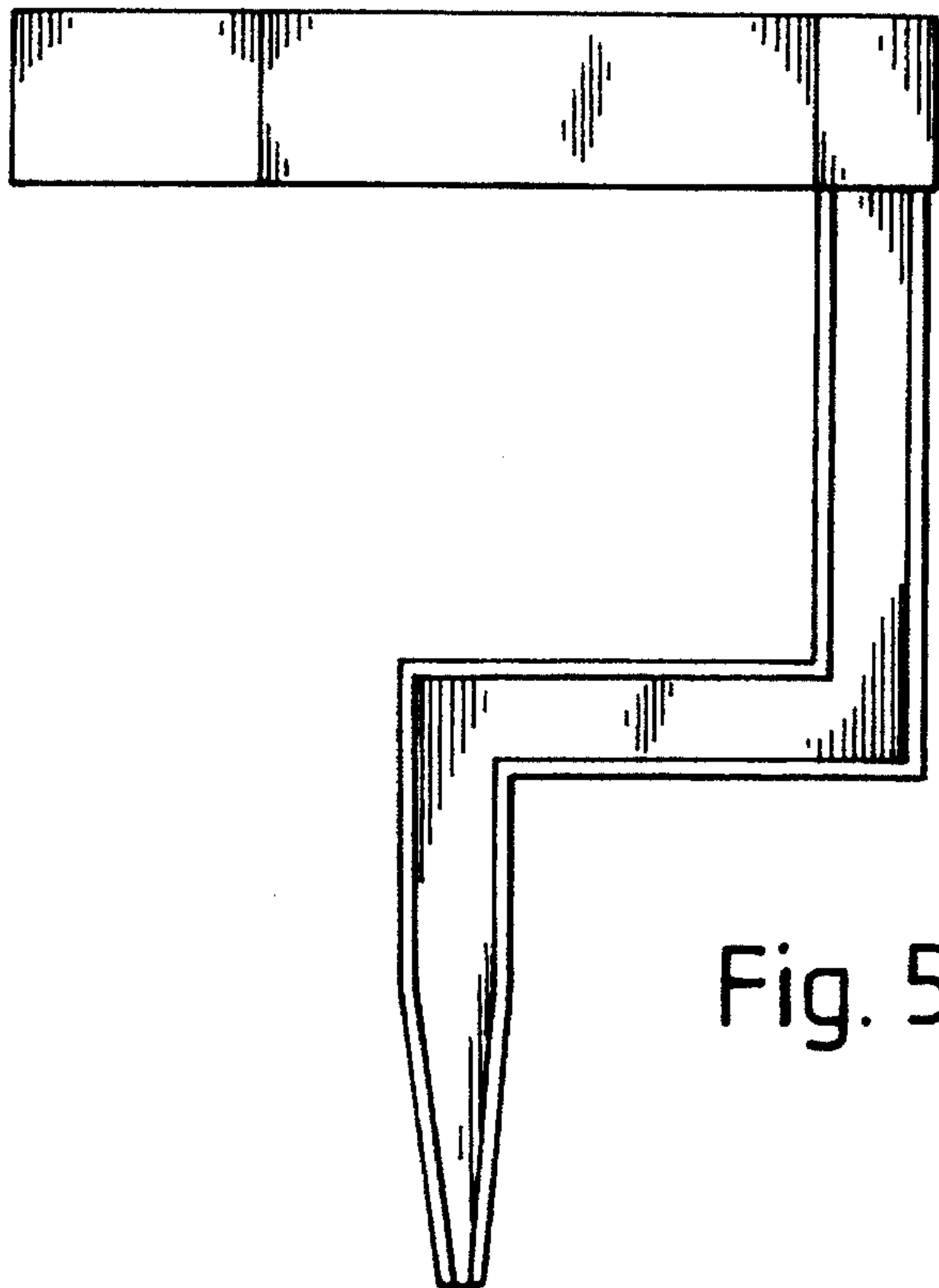


Fig. 5

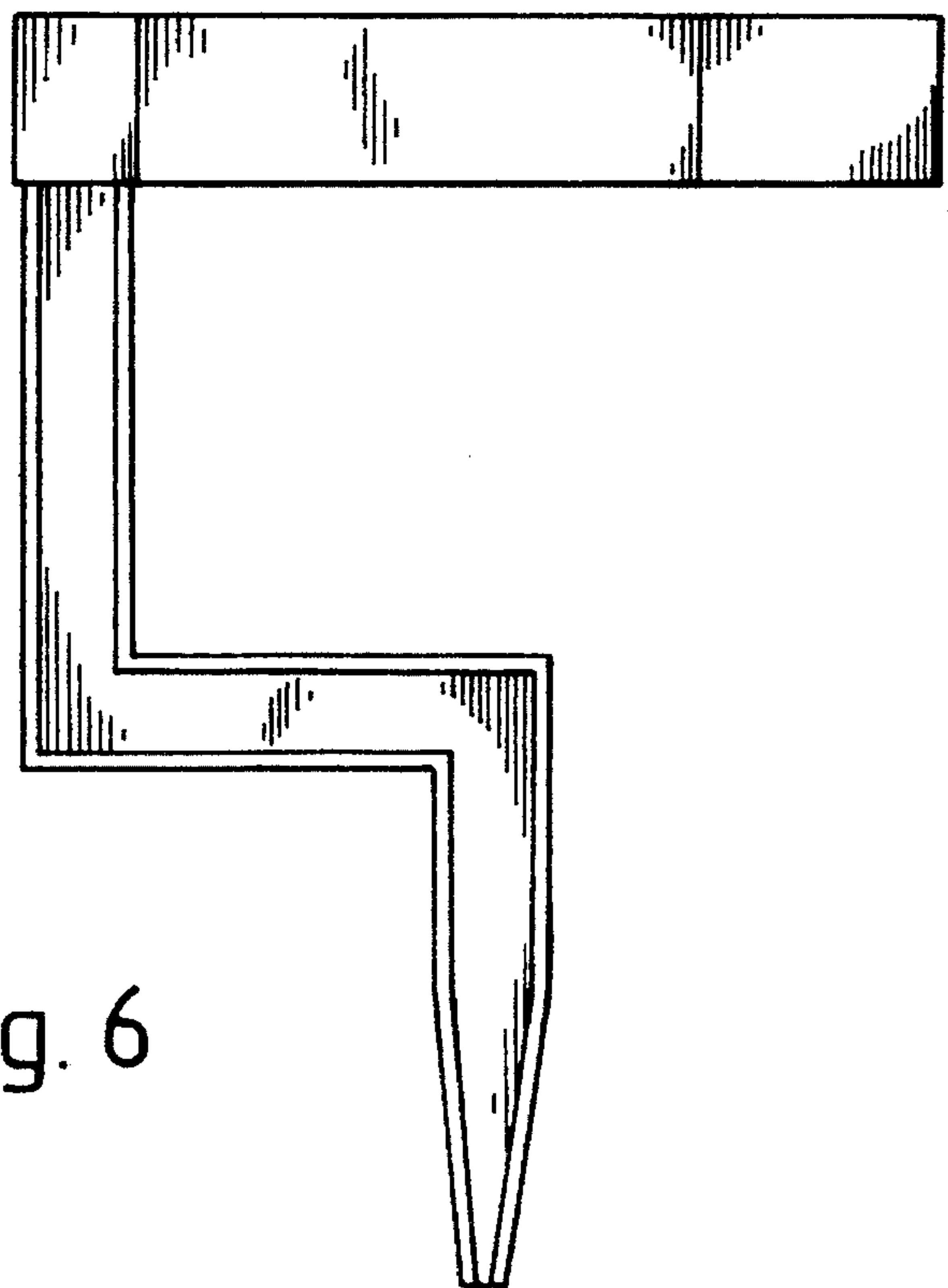


Fig. 6

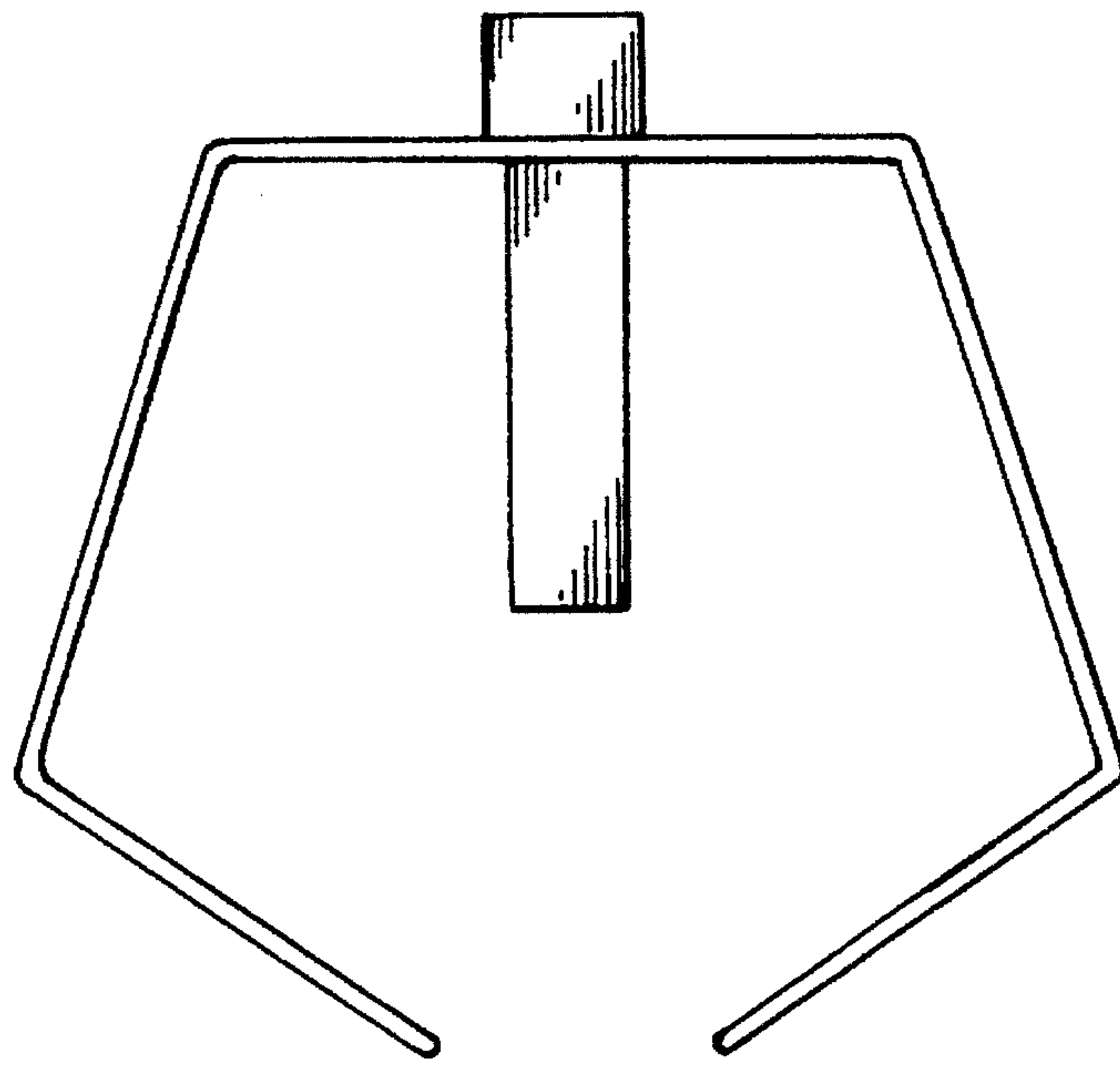


Fig. 7

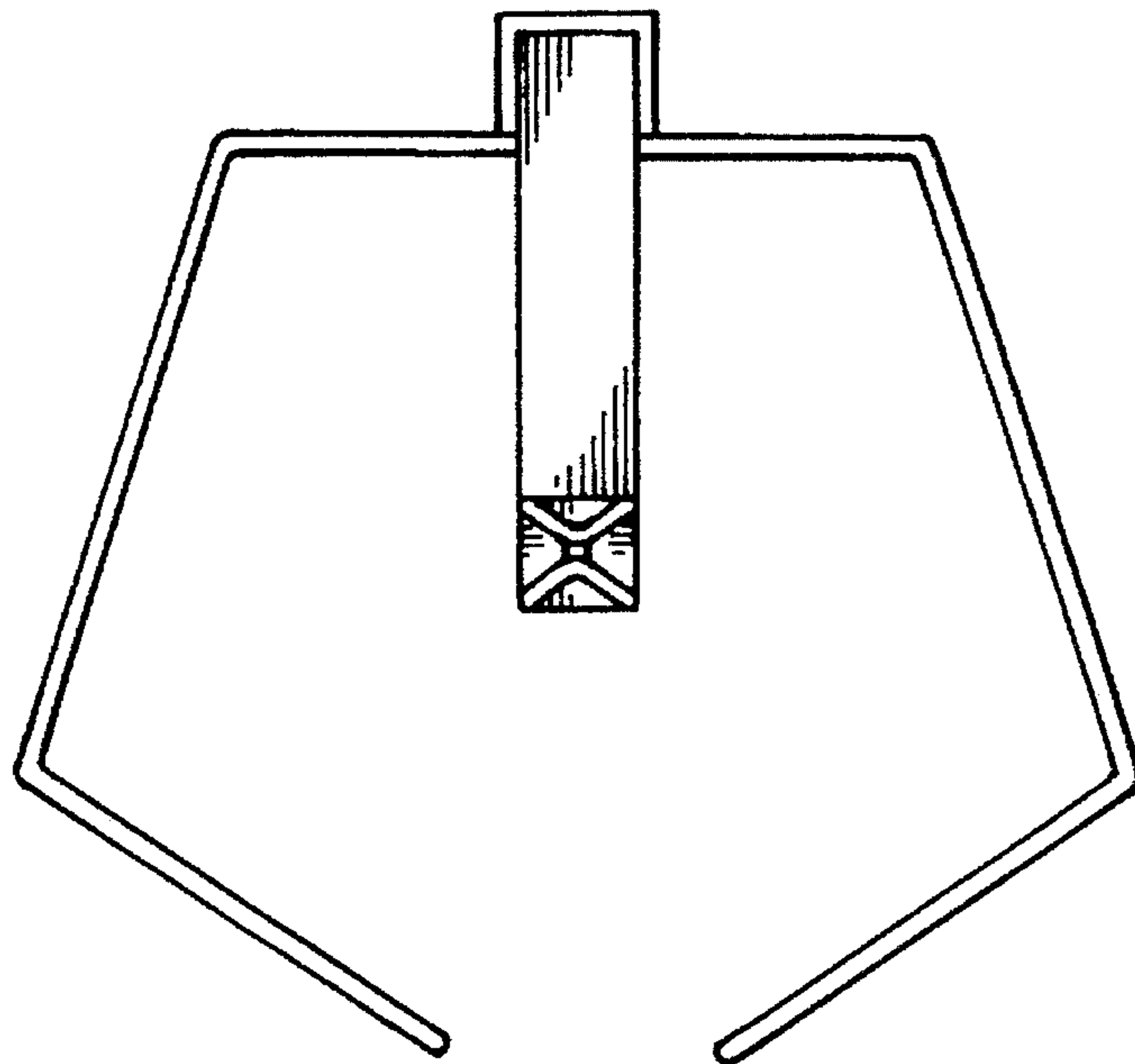


Fig. 8