



US00D369944S

# United States Patent [19] Cartellone

[11] Patent Number: **Des. 369,944**

[45] Date of Patent: **\*\*May 21, 1996**

[54] **ATTACHMENT FOR A HAND-HELD BLENDER**

*Primary Examiner*—Alan P. Douglas  
*Assistant Examiner*—Caron D. Veynar

[75] Inventor: **Mark Cartellone**, Rocky River, Ohio

[57] **CLAIM**

[73] Assignee: **Ever Splendor Enterprises Co., Ltd.**,  
Taipei, Taiwan

The ornamental design for an attachment for a hand-held blender, as shown and described.

[\*\*] Term: **14 Years**

### DESCRIPTION

[21] Appl. No.: **12,061**

FIG. 1 is a perspective view of an attachment for a hand-held blender showing my new design, the broken line showing of a mixer portion is environmental only and forms no part of the claimed design;

[22] Filed: **Aug. 20, 1993**

FIG. 2 is a top view thereof;

[52] U.S. Cl. .... **D7/412**

FIG. 3 is a side view, the opposite view being a mirror image thereof;

[58] **Field of Search** ..... D7/376, 381, 384,  
D7/412, 414, 415; 366/129, 130, 197, 199,  
204, 205, 279, 282.2, 314, 330

FIG. 4 is a bottom view thereof;

[56] **References Cited**

FIG. 5 is a sectional view taken along line 5—5 of FIG. 6; and

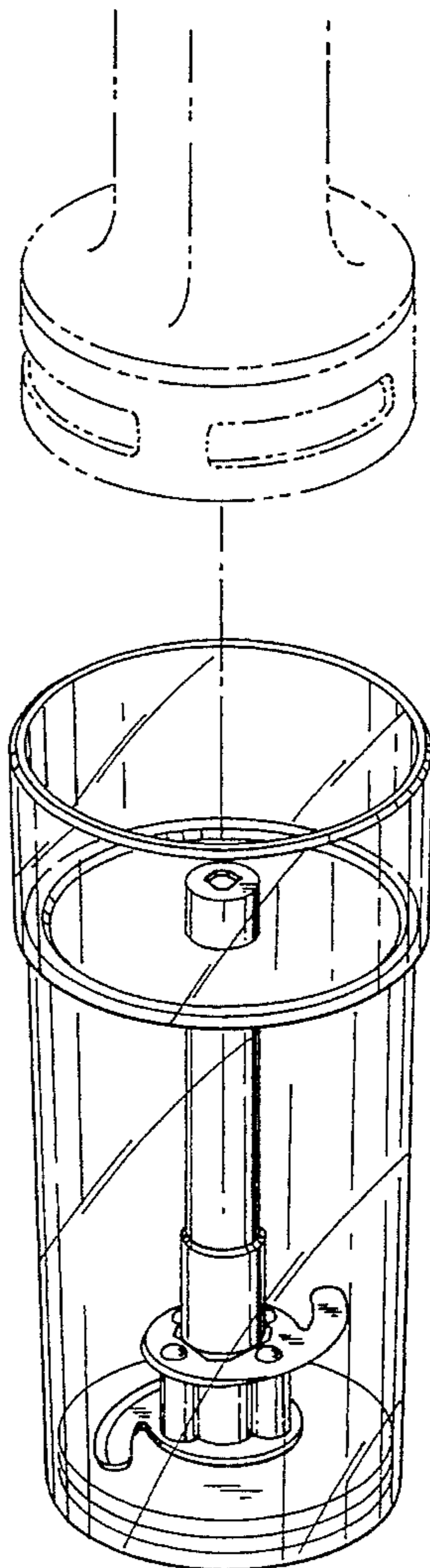
#### U.S. PATENT DOCUMENTS

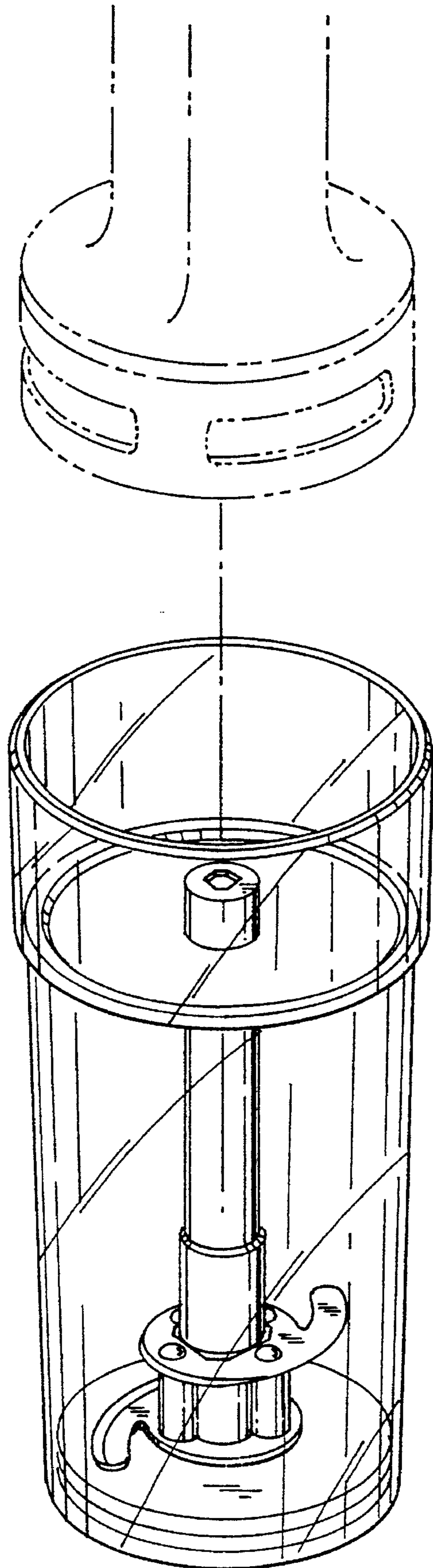
FIG. 6 is a cross-sectional view taken along line 6—6 of FIG. 2; and,

D. 255,861	7/1980	Hsu	.....	D7/381	X
D. 285,892	9/1986	Doyel	.....	D7/376	
D. 290,677	7/1987	Stutzer et al.	.....	D7/384	
D. 320,326	10/1991	Barrault	.....	D7/381	X
4,723,719	2/1988	Williams	.....	366/279	X
4,730,938	3/1988	Dunn	.....	D7/376	X

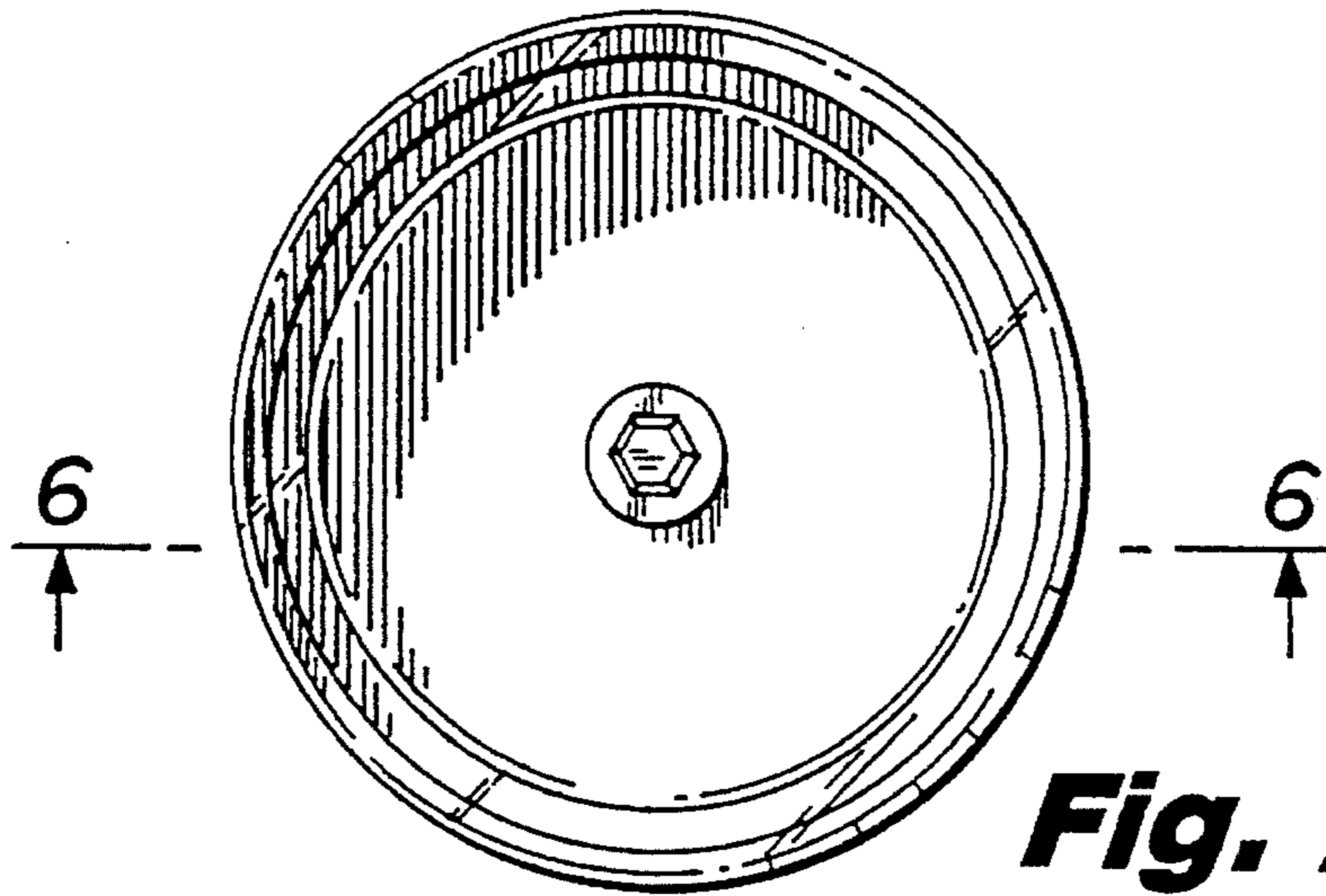
FIG. 7 is a side view taken 90° from the view of FIG. 3, the opposite view being a mirror image thereof.

**1 Claim, 3 Drawing Sheets**

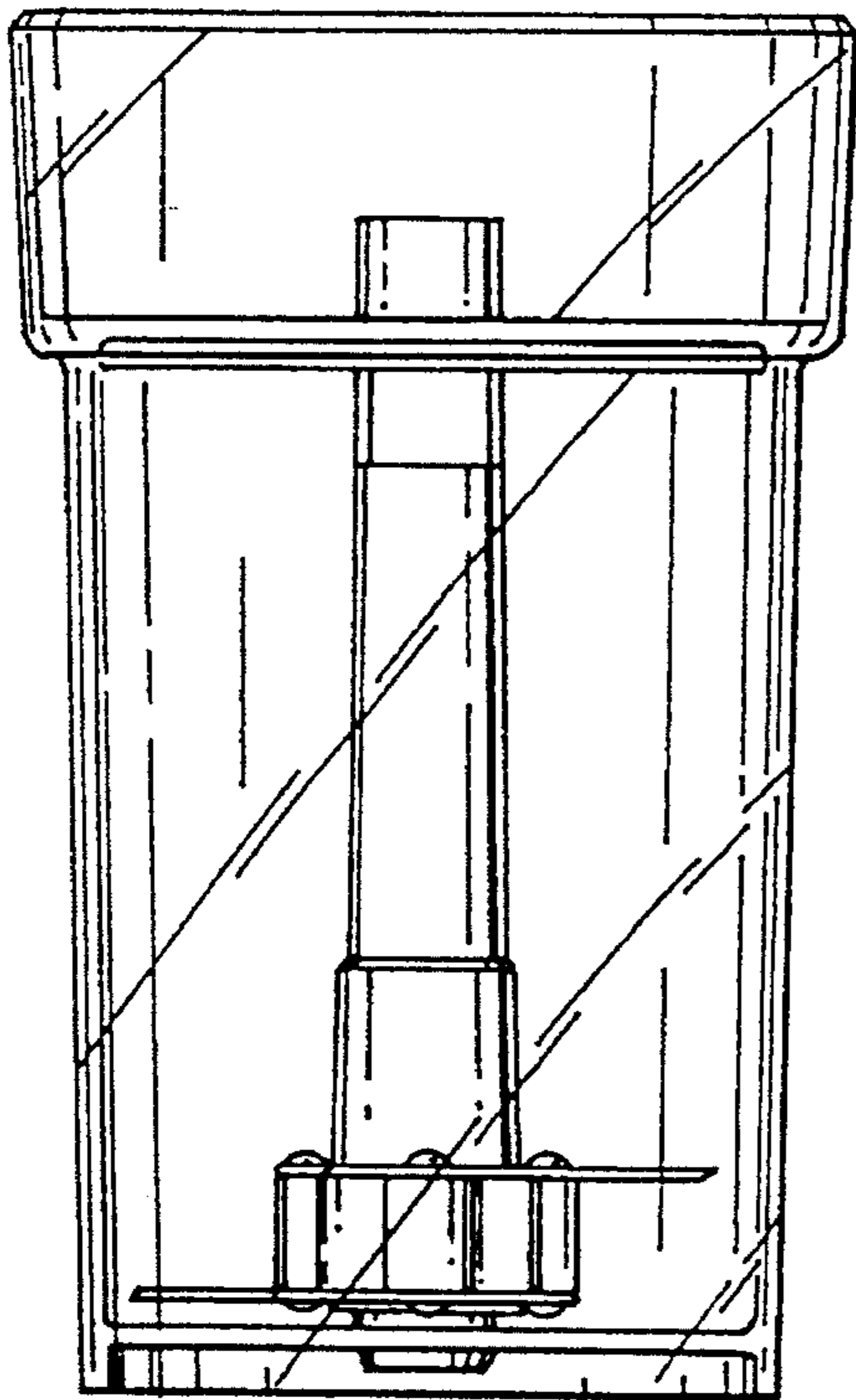




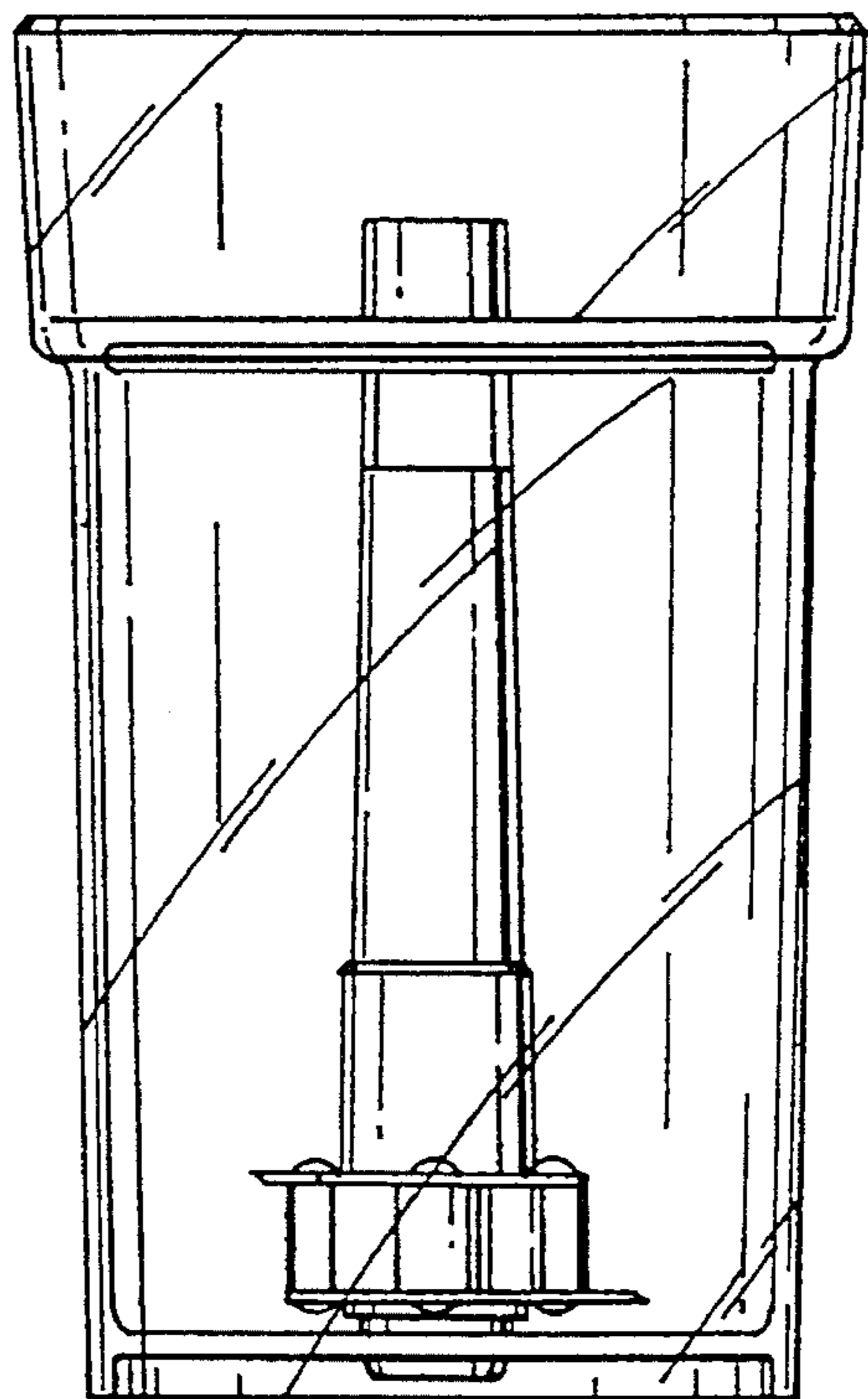
**Fig. 1**



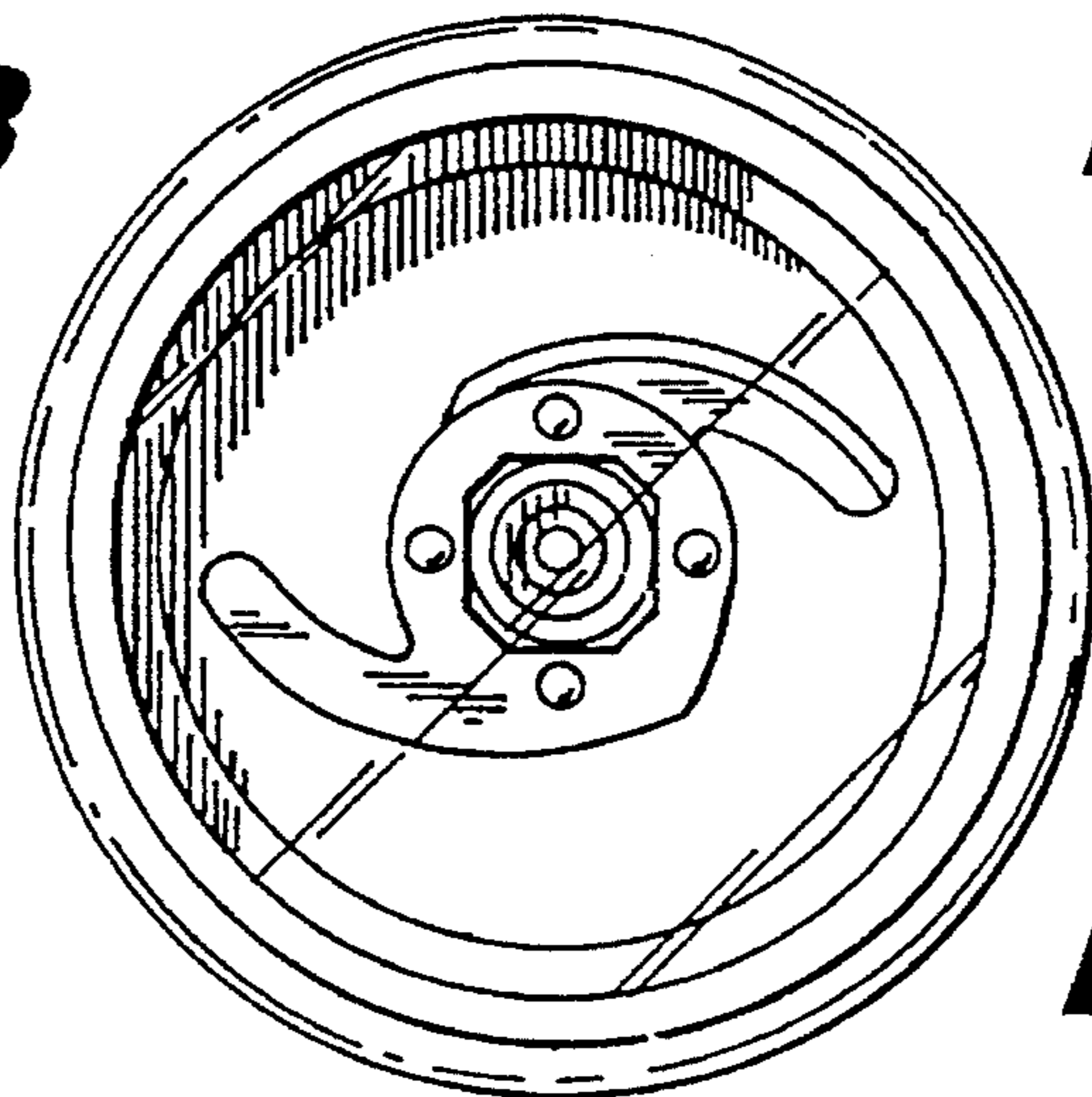
**Fig. 2**



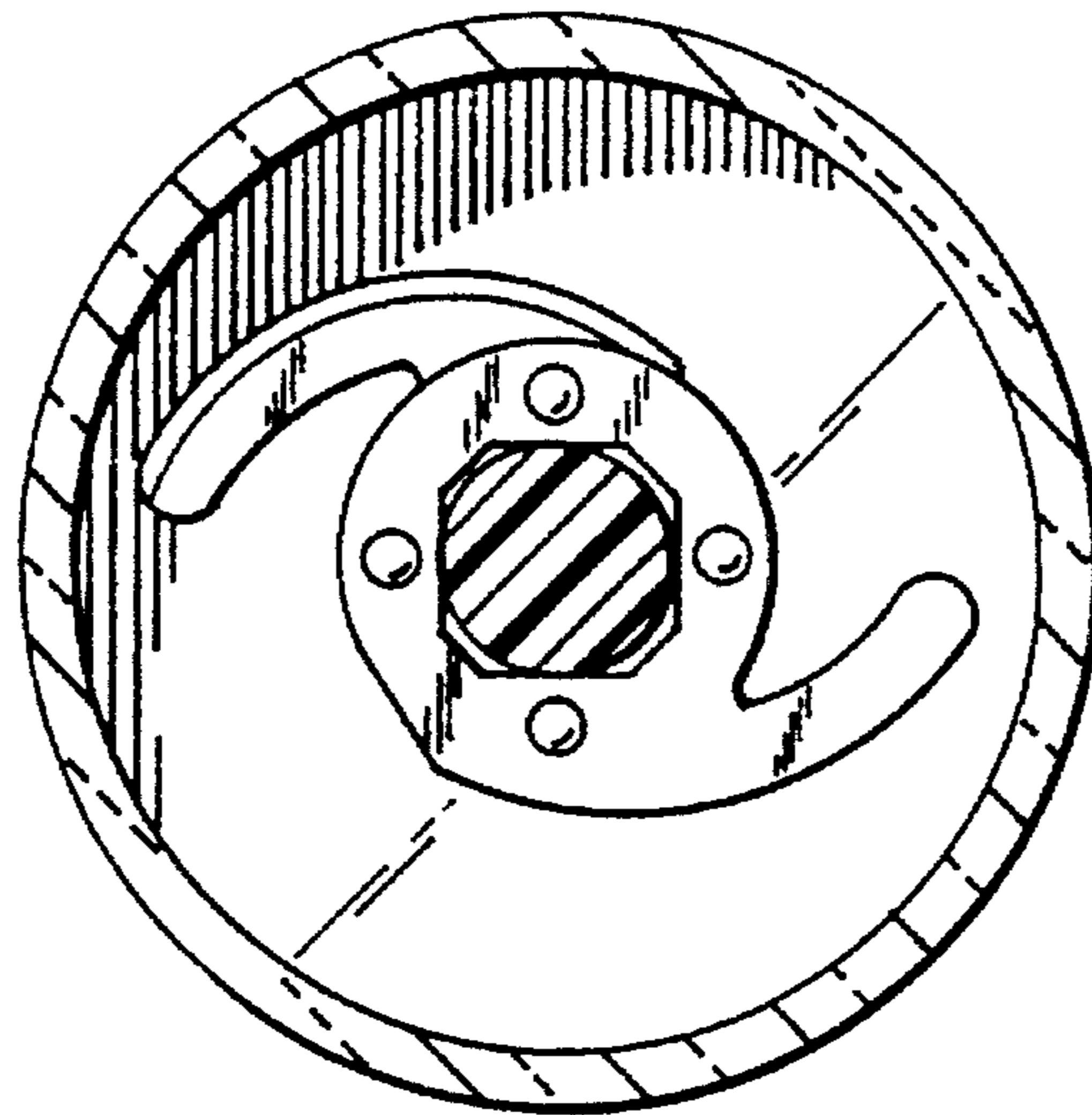
**Fig. 3**



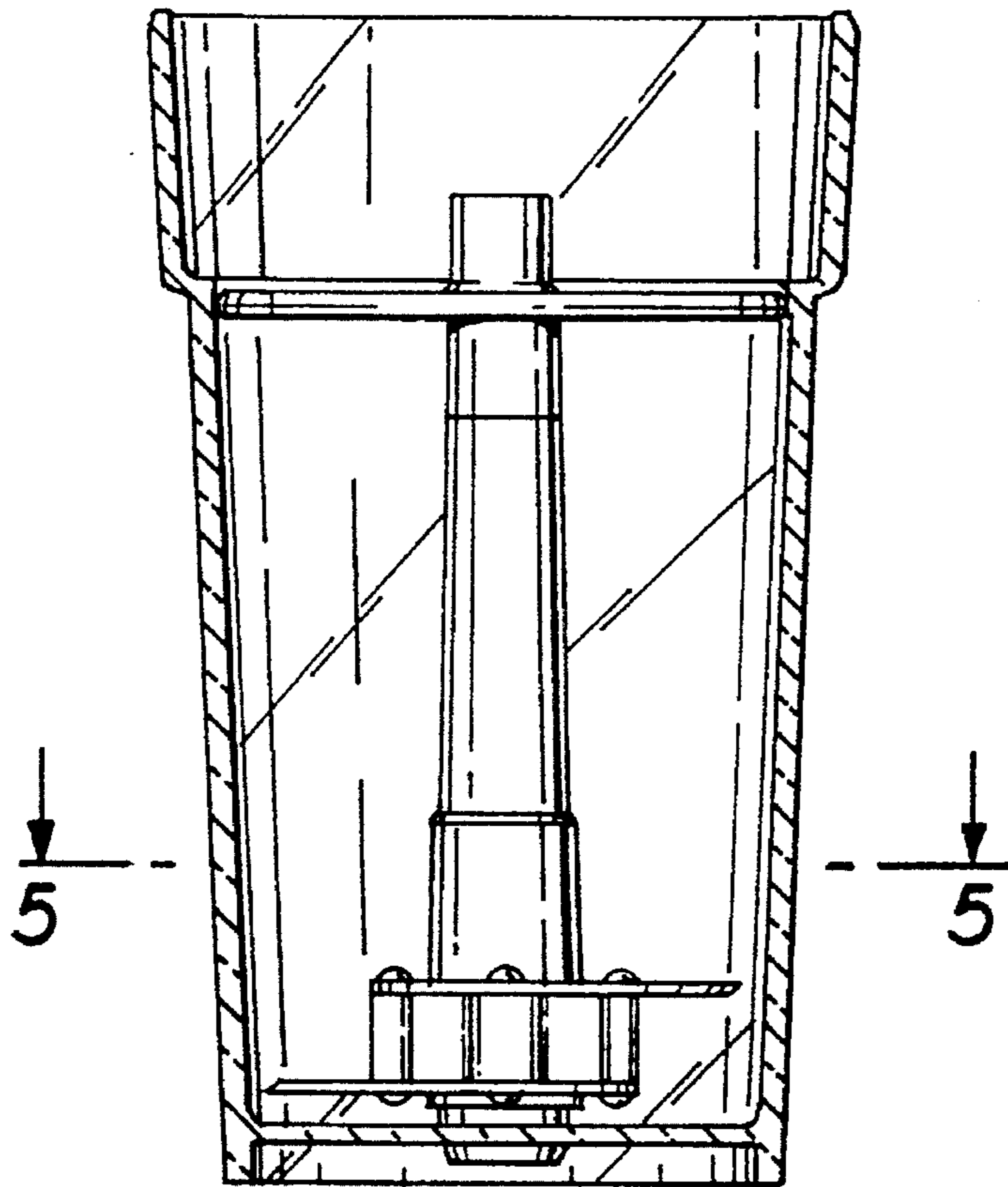
**Fig. 7**



**Fig. 4**



**Fig. 5**



**Fig. 6**