



US00D369942S

United States Patent [19]

[11] Patent Number: **Des. 369,942**

Ahern, Jr.

[45] Date of Patent: ****May 21, 1996**

[54] TWIST TOP FOOD CONTAINER LID

4,471,880	9/1984	Taylor et al.	220/306
4,493,432	1/1985	Smith	220/270
4,795,056	1/1989	Meyers	220/306
5,143,219	9/1992	Yates	206/508
5,425,467	6/1995	Feer et al.	220/281

[75] Inventor: **Richard B. Ahern, Jr.**, Akron, Ohio

[73] Assignee: **Rubbermaid Incorporated**, Wooster, Ohio

[**] Term: **14 Years**

[21] Appl. No.: **39,077**

[22] Filed: **May 19, 1995**

[52] U.S. Cl. **D7/391**; D9/447

[58] Field of Search D7/391, 392, 401.1; D9/434, 445, 446, 447, 449; 215/224, 235, 306, 317; 220/254, 266, 270, 307, 339; 222/480, 565, 556

[56] References Cited

U.S. PATENT DOCUMENTS

D. 123,648	11/1940	Holdren .	
D. 228,867	10/1973	Mallon .	
D. 229,737	1/1974	Taylor .	
D. 230,344	2/1974	Taylor .	
D. 230,556	3/1974	Mallon .	
D. 253,935	1/1980	Daenen .	
D. 288,667	3/1987	Miner	D9/443
D. 308,169	5/1990	Auman	D9/446
D. 315,103	3/1991	Bennett	D9/447
D. 318,220	7/1991	Stenberg	D9/438
D. 331,878	12/1992	Forsyth	D9/449
D. 332,379	1/1993	Murphy	D7/391
D. 333,065	2/1993	Murphy	D7/391
D. 334,341	3/1993	Brown et al.	D9/447
D. 339,065	9/1993	Forsyth et al.	D9/447
D. 340,188	10/1993	Forsyth	D9/449
D. 352,899	11/1994	Molo	D9/447
D. 360,105	7/1995	Doxey	D7/391
1,889,937	12/1932	Spence .	
2,764,199	9/1956	Tupper	150/5
3,421,681	1/1969	Frank	229/43
3,526,334	9/1970	Ashton et al.	220/23.83
3,719,304	3/1973	Douglas	220/42
4,051,984	10/1977	Ho	222/471
4,303,171	12/1981	Schremmer	220/238
4,361,250	11/1982	Foster	220/266

OTHER PUBLICATIONS

Catalog page, Food container lid; Anchor Hocking Plastics, A Member of the Newell Group, P.O. Box 64610, St. Paul, Minnesota 55164. Publication date Jun. 20, 1995.

Pages 20, 27, 35 and 44, Food and beverage container lids; Tupperware, P.O. Box 2353, Orlando, Florida 32802. Publication date 1994.

Page 20, Sprinkling and Pouring lids; Dupol-Rubbermaid GmbH, An der Trift 63, D-6072 Dreieich, West Germany. Publication date 1989.

Sell sheet, Food container lids; Rubbermaid Incorporated, 1147 Akron Road, Wooster, Ohio 44691. Publication date 1992.

Sell sheet, Food container lids; Rubbermaid Incorporated, 1147 Akron Road, Wooster, Ohio 44691. Publication date 1994.

Primary Examiner—Terry A. Wallace

Attorney, Agent, or Firm—Richard B. O'Planick; Lisa B. Riedesel

[57] CLAIM

The ornamental design for a twist top food container lid, as shown and described.

DESCRIPTION

FIG. 1 is an top right front perspective view of a twist top food container lid, showing my new design. The broken lines are for illustrative purposes only and form no part of the claimed design;

FIG. 2 is a right side elevational view thereof; the left side elevational view being a mirror image;

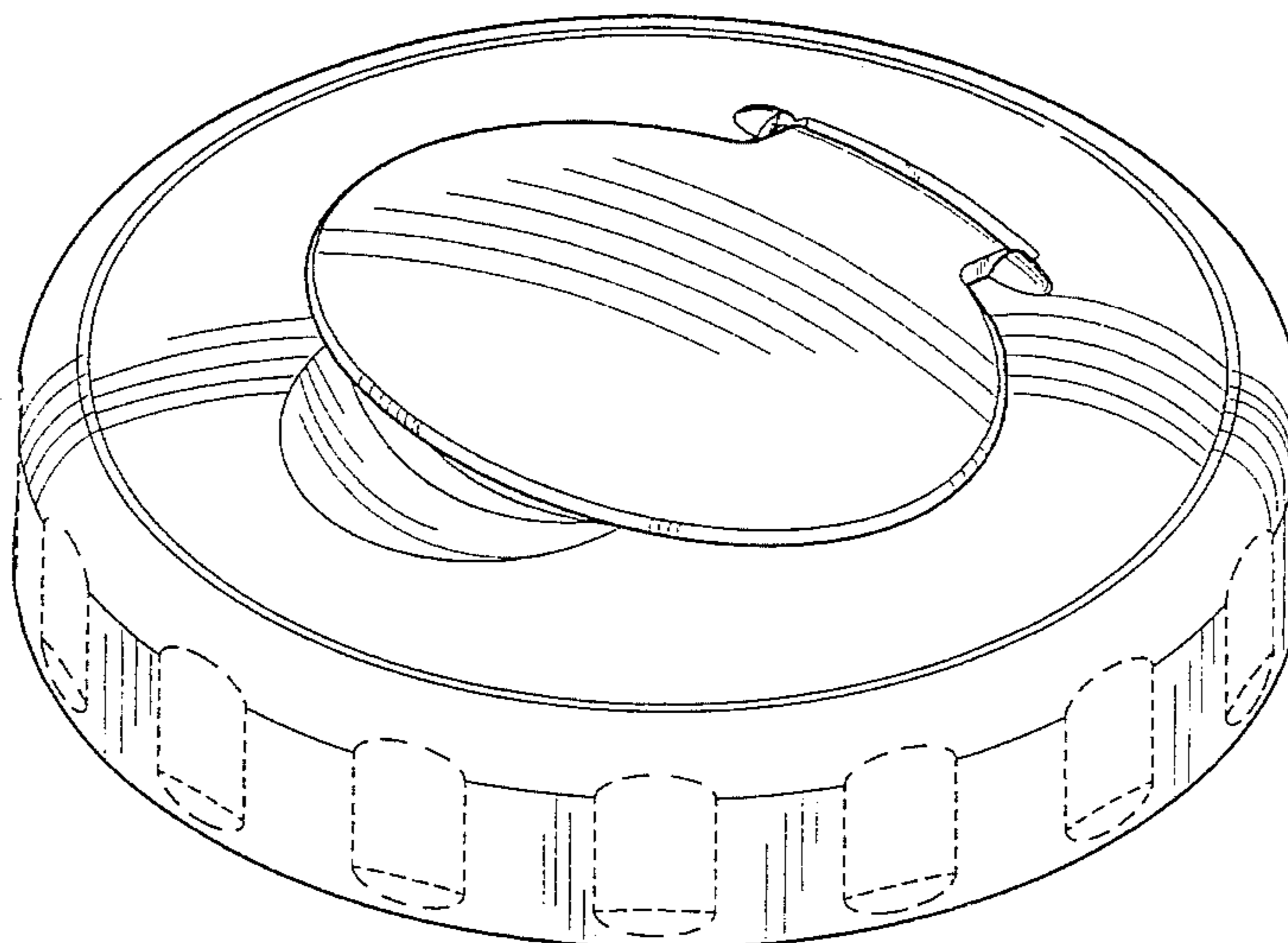
FIG. 3 is a top plan view thereof;

FIG. 4 is a front elevational view thereof;

FIG. 5 is a rear elevational view thereof; and,

FIG. 6 is a bottom plan view thereof.

1 Claim, 3 Drawing Sheets



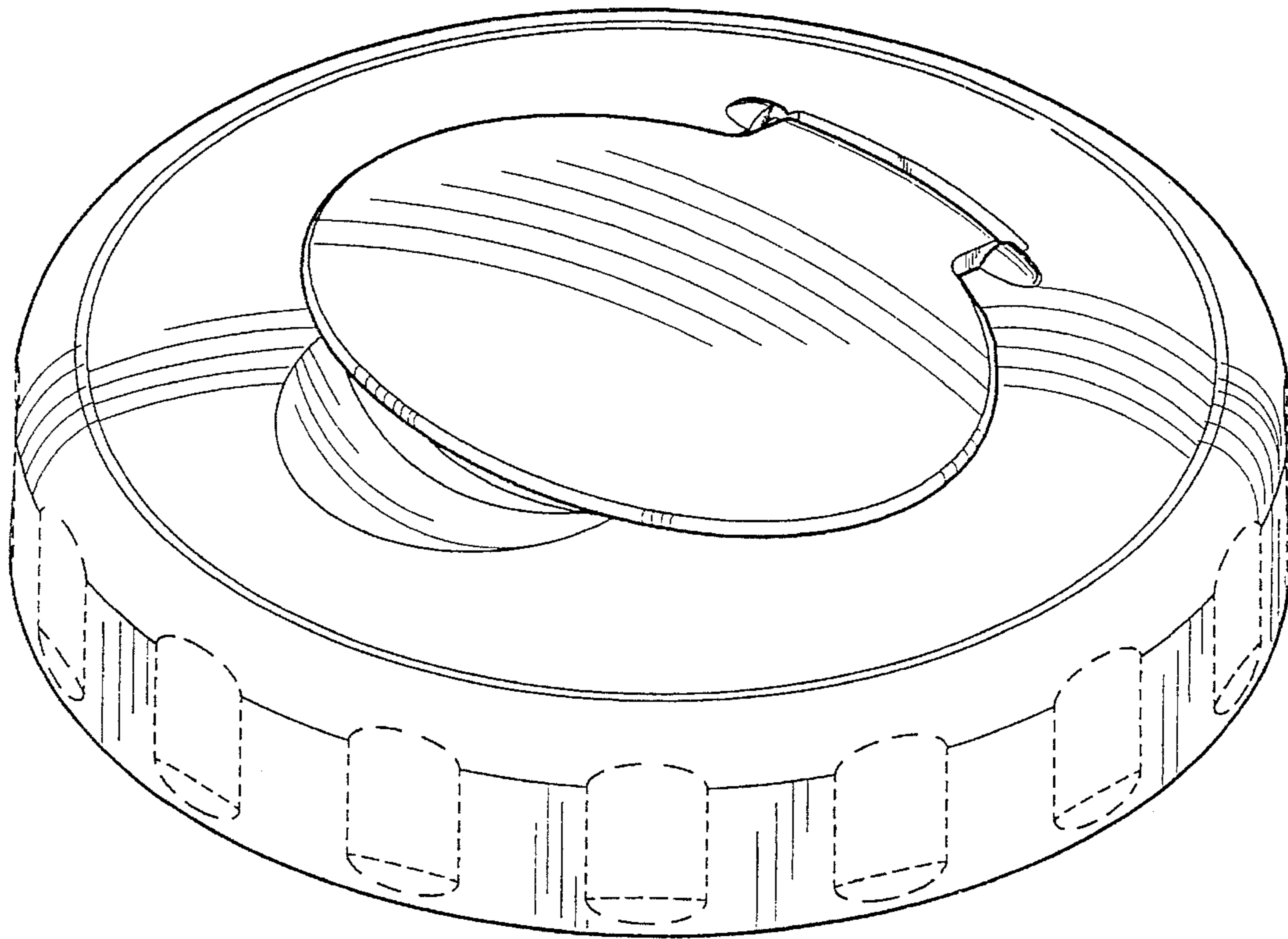


Fig-1

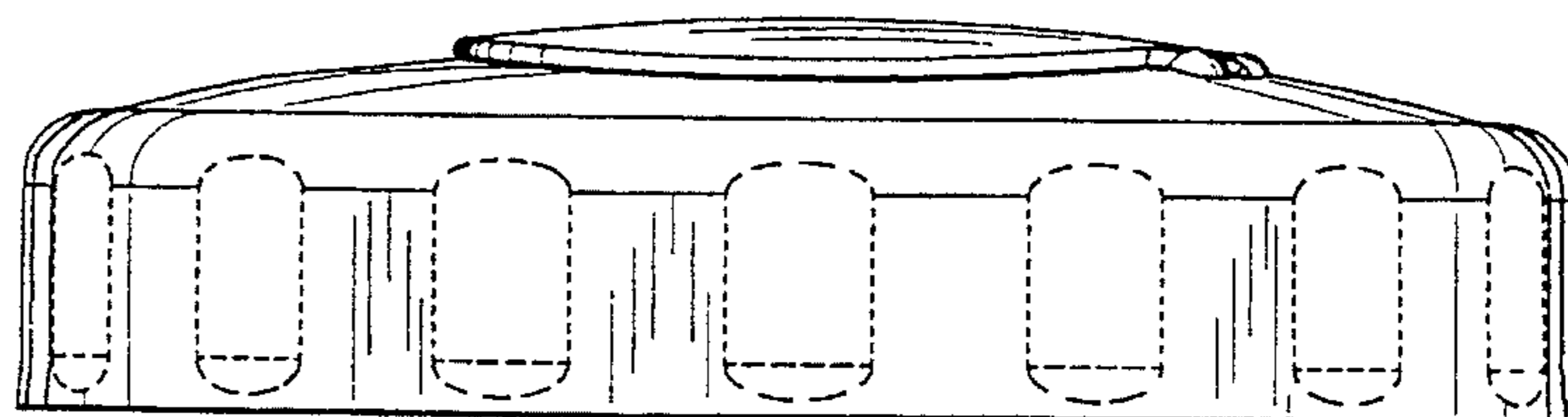


Fig-2

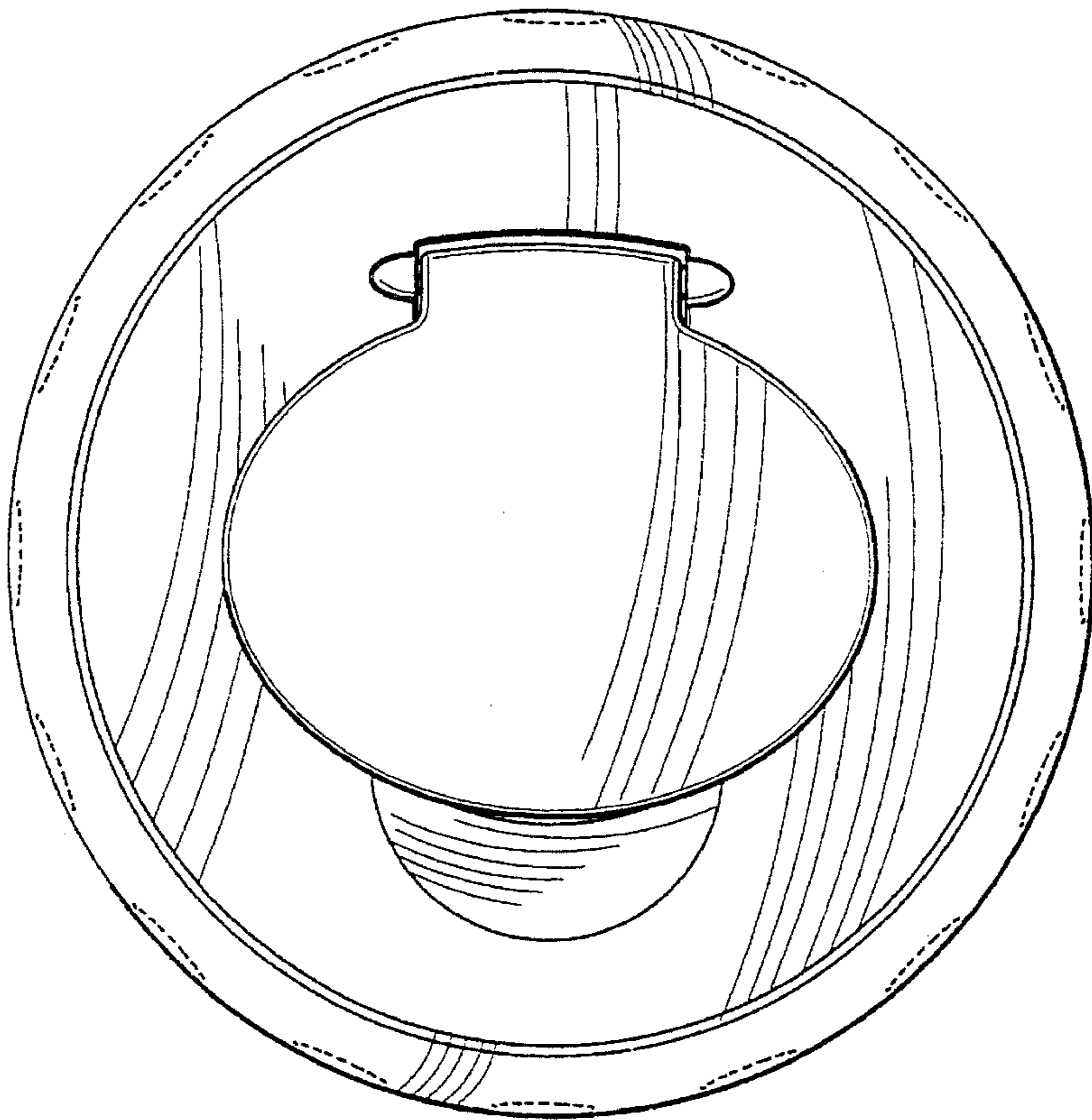


Fig-3

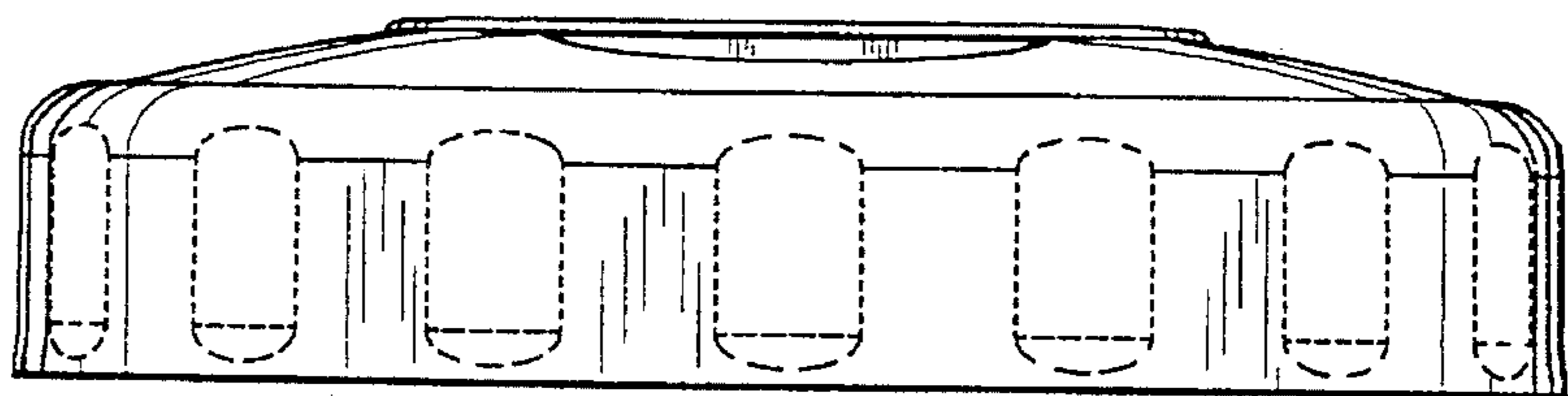


Fig-4

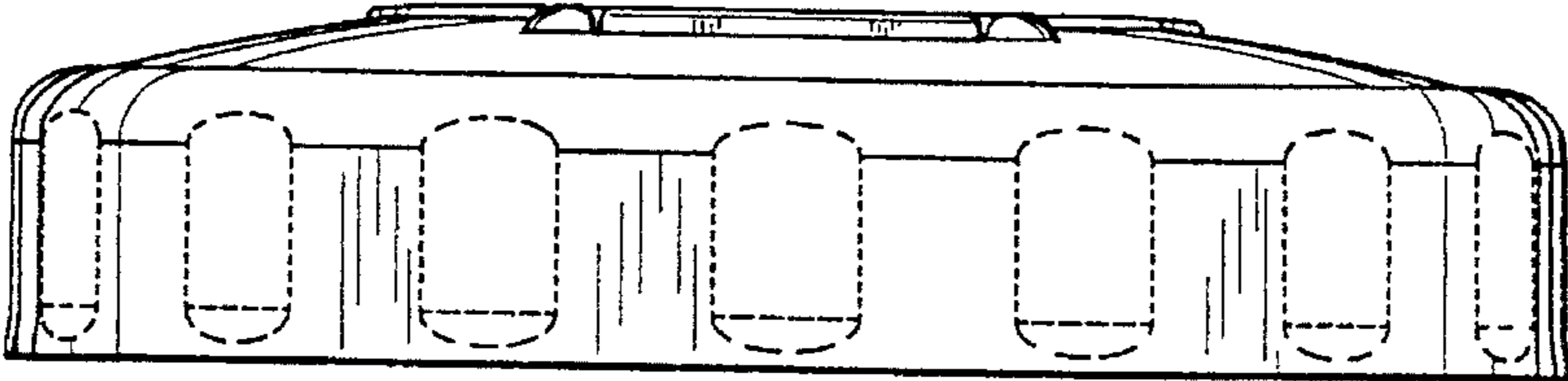


Fig-5

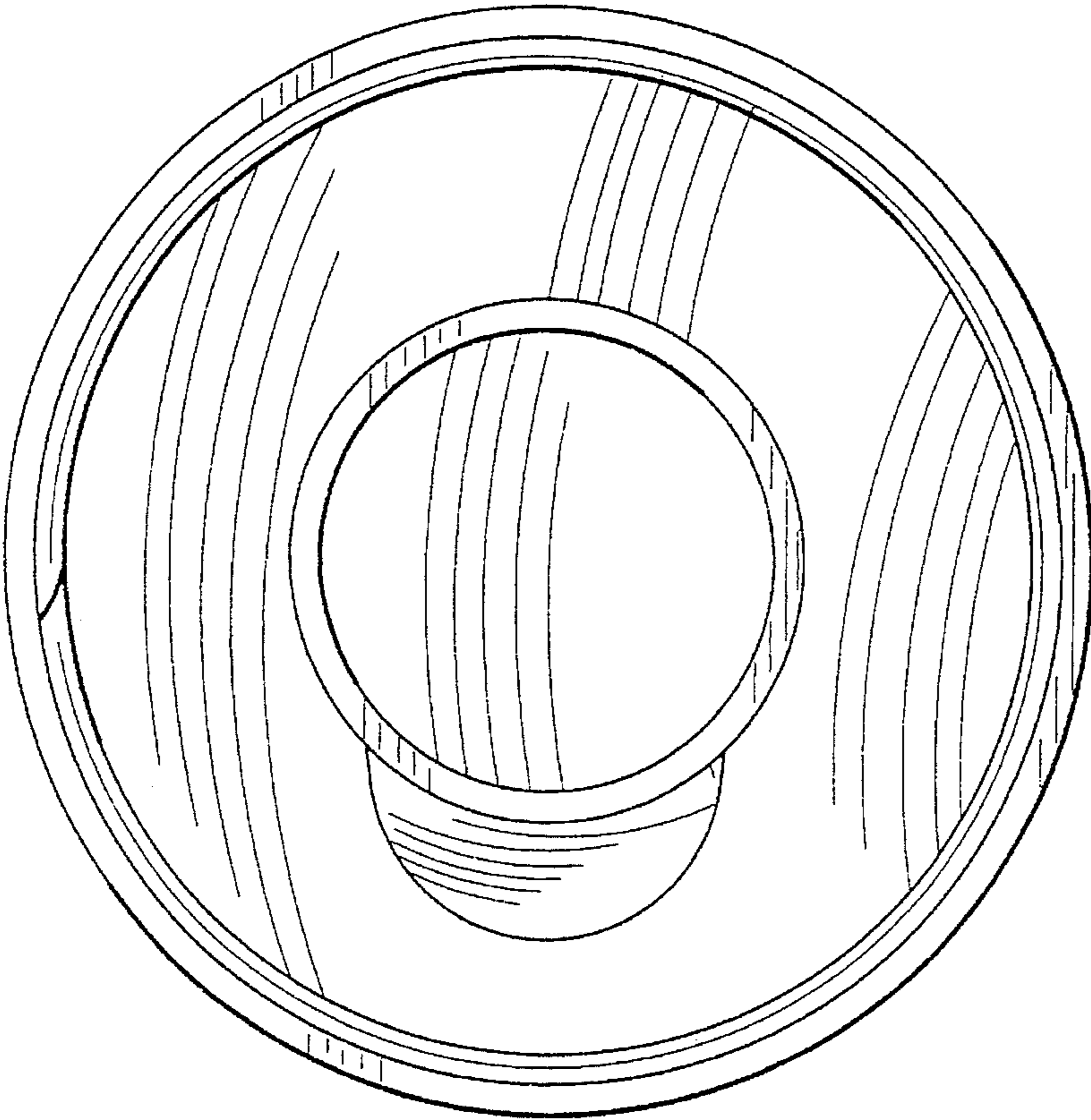


Fig-6