



US00D369939S

United States Patent [19] Gibbs

[11] Patent Number: **Des. 369,939**

[45] Date of Patent: ****May 21, 1996**

[54] **BARBECUE GRILL**

[75] Inventor: **Anthony H. Gibbs, Sandy, Utah**

[73] Assignee: **Amazing Innovations, Inc., Sandy, Utah**

[**] Term: **14 Years**

[21] Appl. No.: **27,052**

[22] Filed: **Aug. 11, 1994**

[52] U.S. Cl. **D7/335; D7/332**

[58] Field of Search **D7/332-337, 402-404; 126/25 R, 25 A, 25 AA, 25 B, 9 R, 9 B, 19 R, 29-30, 38, 40, 50, 59.5; D6/417; 248/156**

[56] **References Cited**

U.S. PATENT DOCUMENTS

D. 285,402	9/1986	Hamill et al.	D7/335
D. 327,602	7/1992	Walker	D7/335
D. 342,184	12/1993	Sanchez	D7/335
D. 344,207	2/1994	Bauman	D7/336

D. 352,776	11/1994	Hill et al.	D7/332
2,977,953	4/1961	Dowdy	126/30
4,351,312	9/1982	Ivy	126/9 R

Primary Examiner—Ruth McInroy
Attorney, Agent, or Firm—Trask, Britt & Rossa

[57] **CLAIM**

The ornamental design for a barbecue grill, as shown and described.

DESCRIPTION

FIG. 1 is a rear perspective view of a barbecue grill showing my new design;
FIG. 2 is a rear perspective view thereof, in a stored position;
FIG. 3 is a top plan view thereof;
FIG. 4 is a bottom plan view thereof;
FIG. 5 is a side elevation view thereof;
FIG. 6 is a side elevation view of the opposite side of FIG. 5;
FIG. 7 is a rear elevation view thereof; and,
FIG. 8 is a front elevation view thereof.

1 Claim, 5 Drawing Sheets



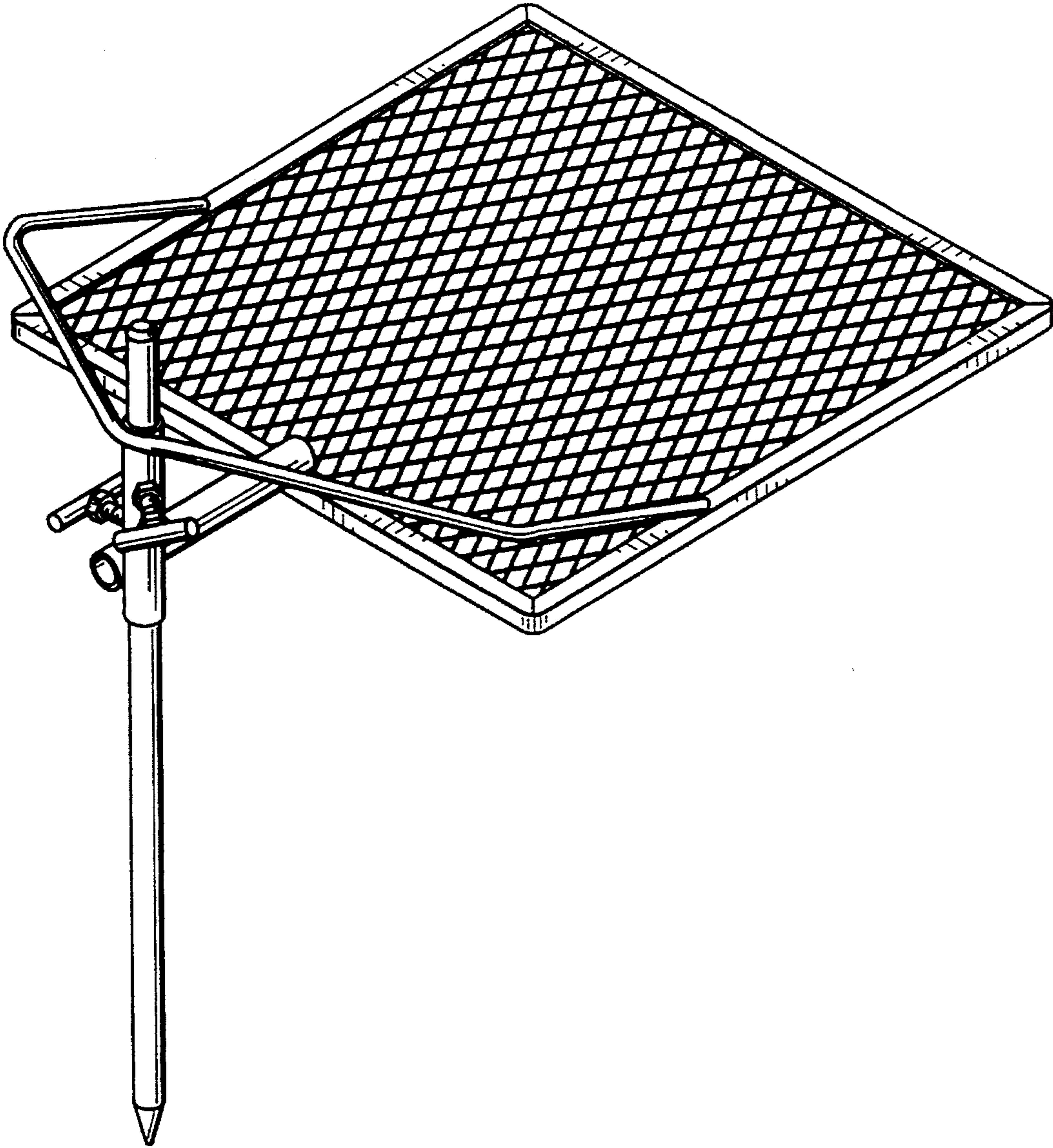


Fig. 1

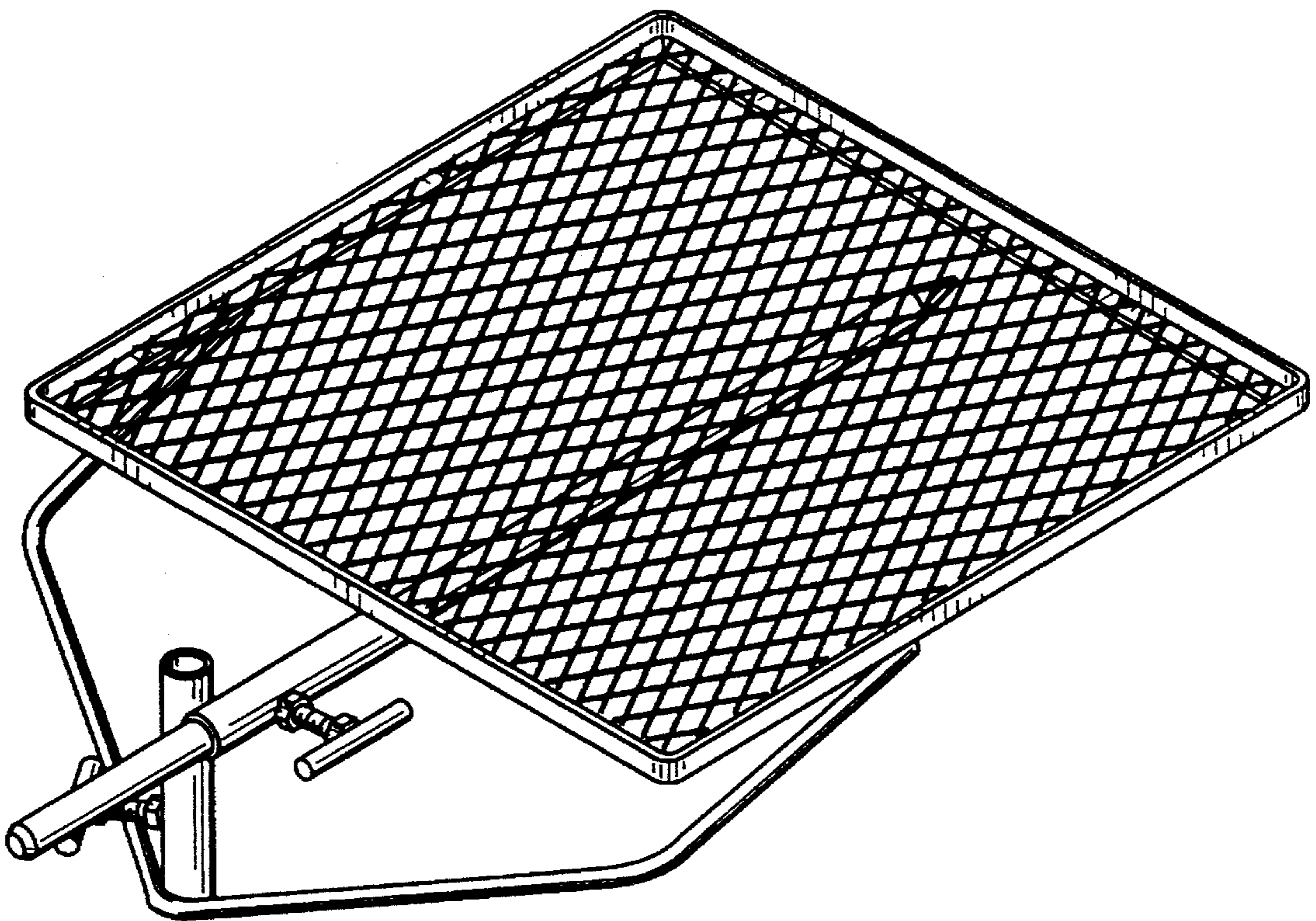


Fig. 2

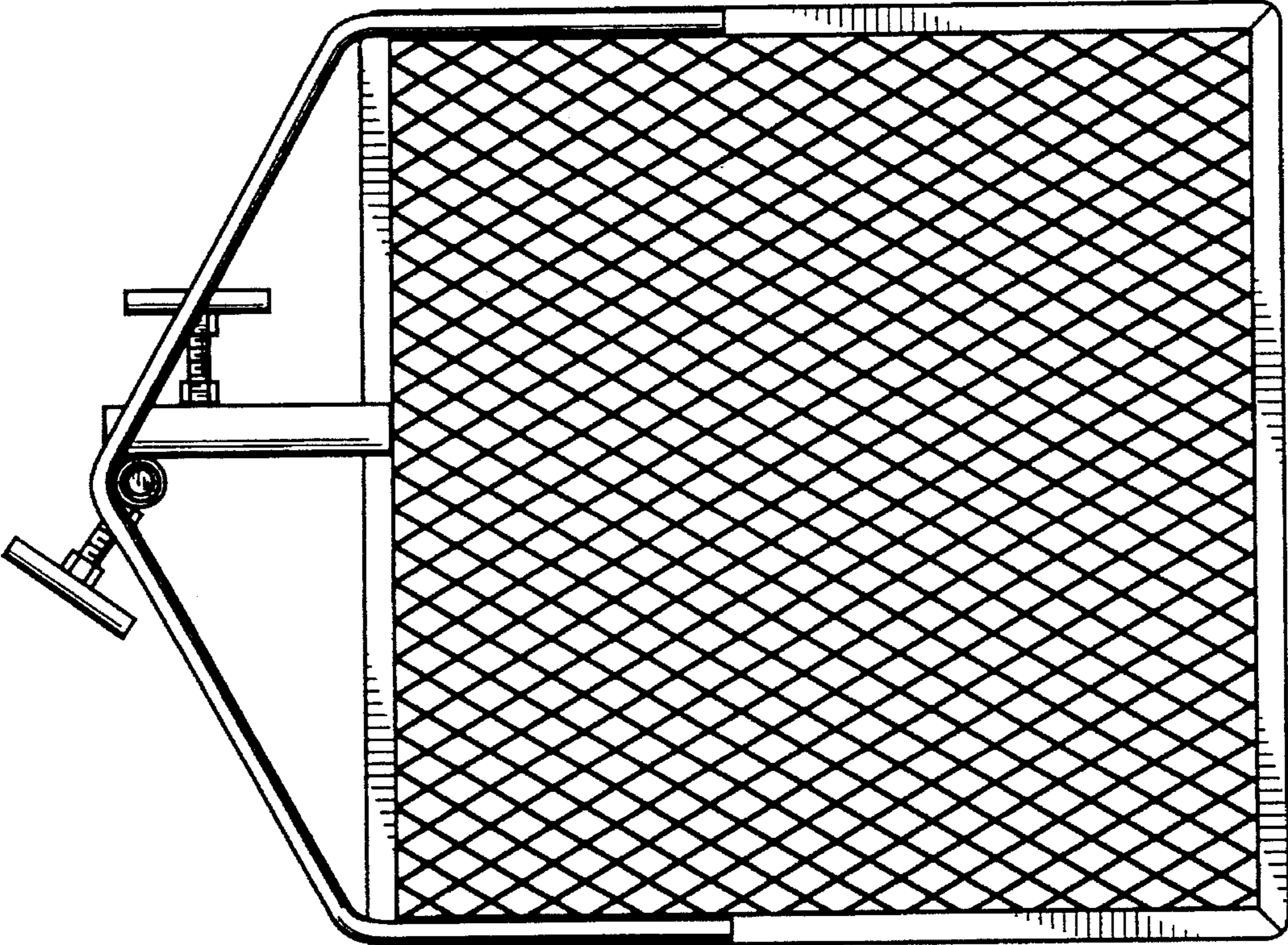


Fig. 3

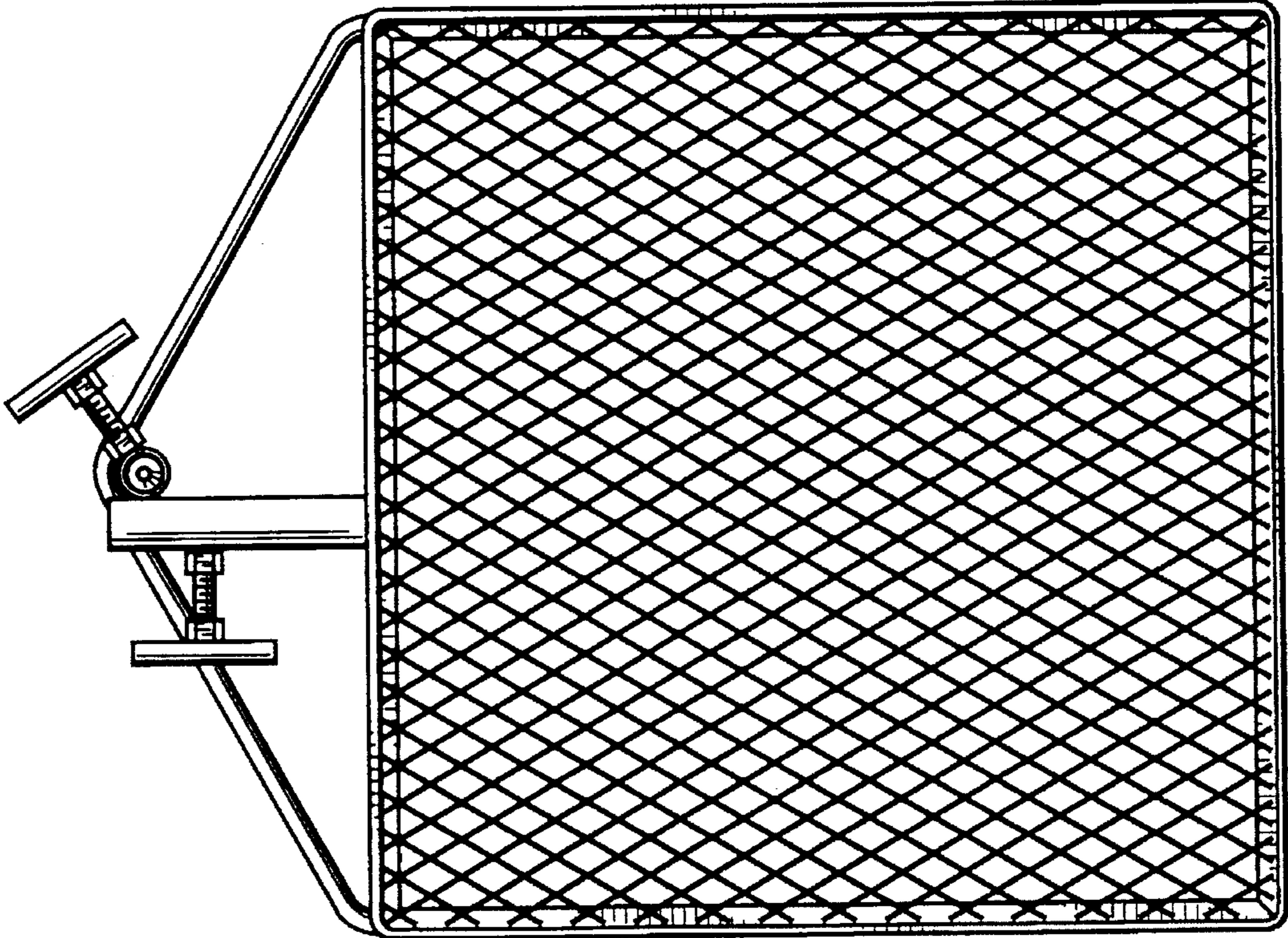


Fig. 4

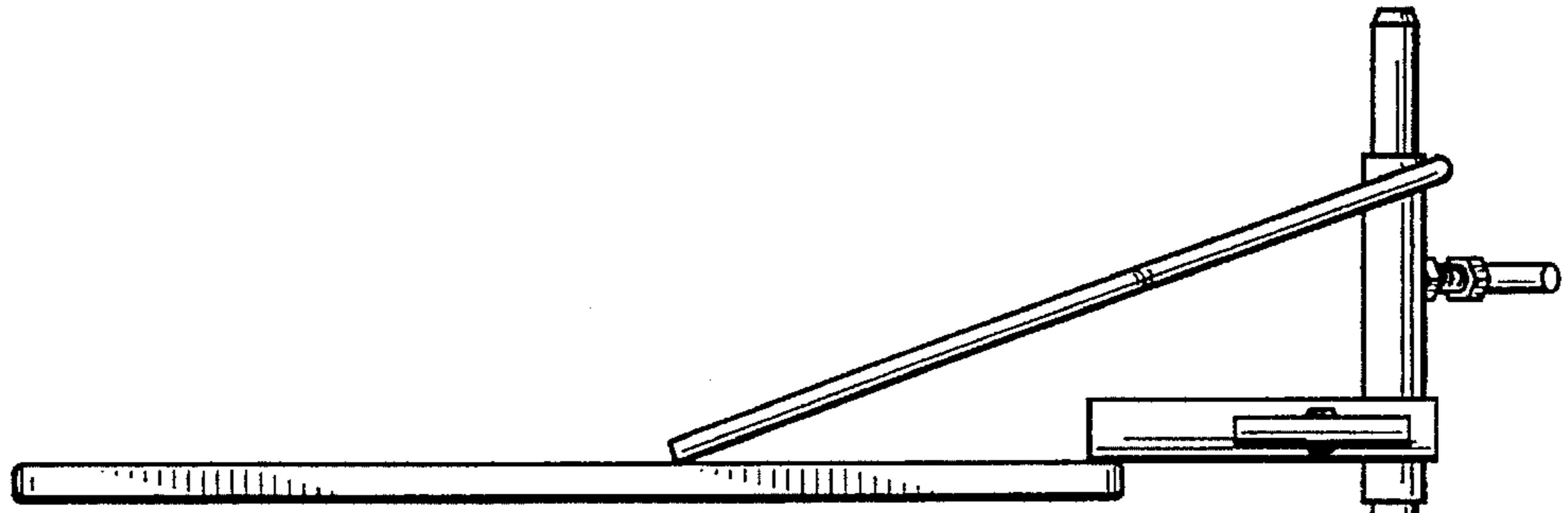


Fig. 5

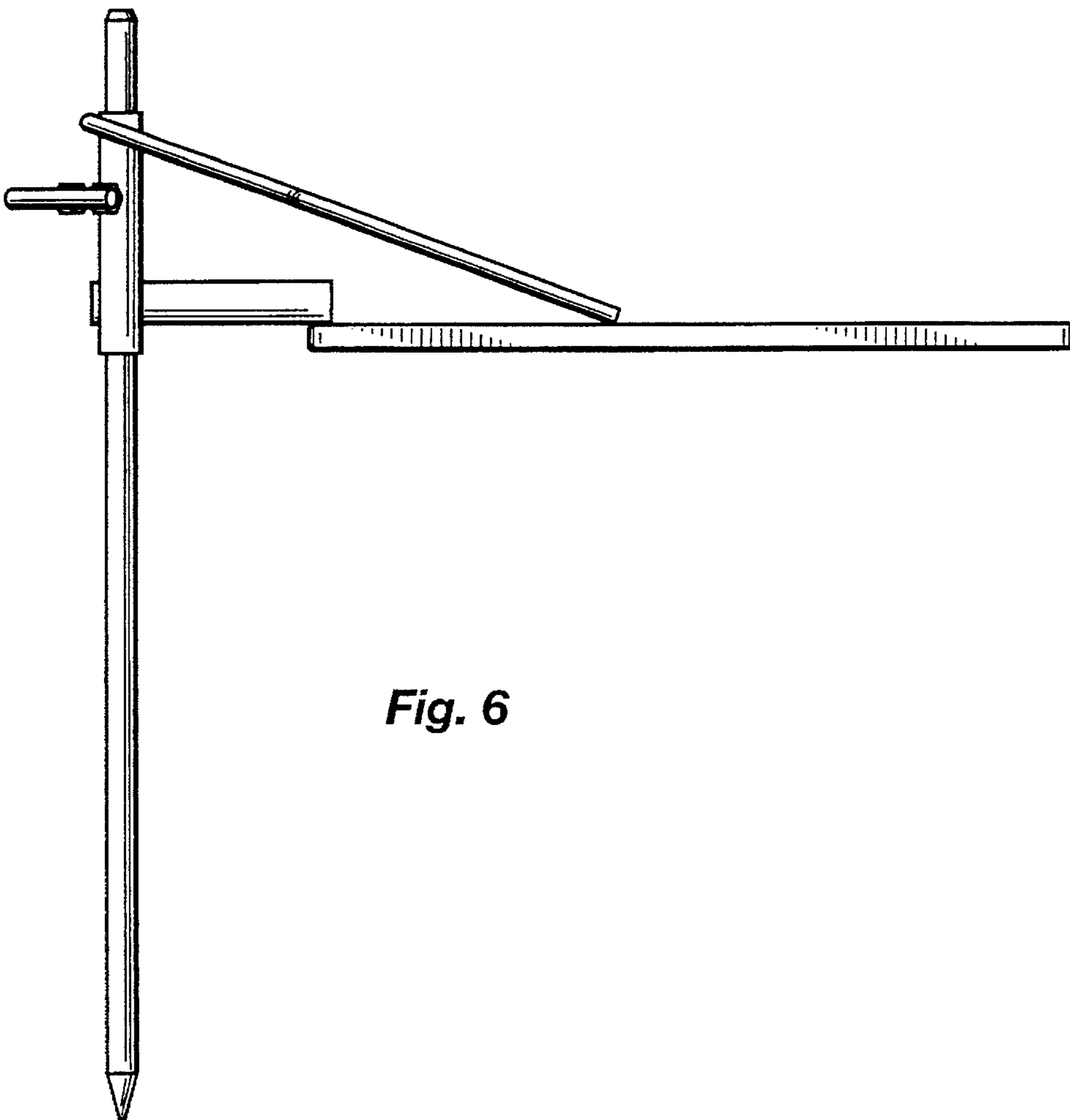


Fig. 6

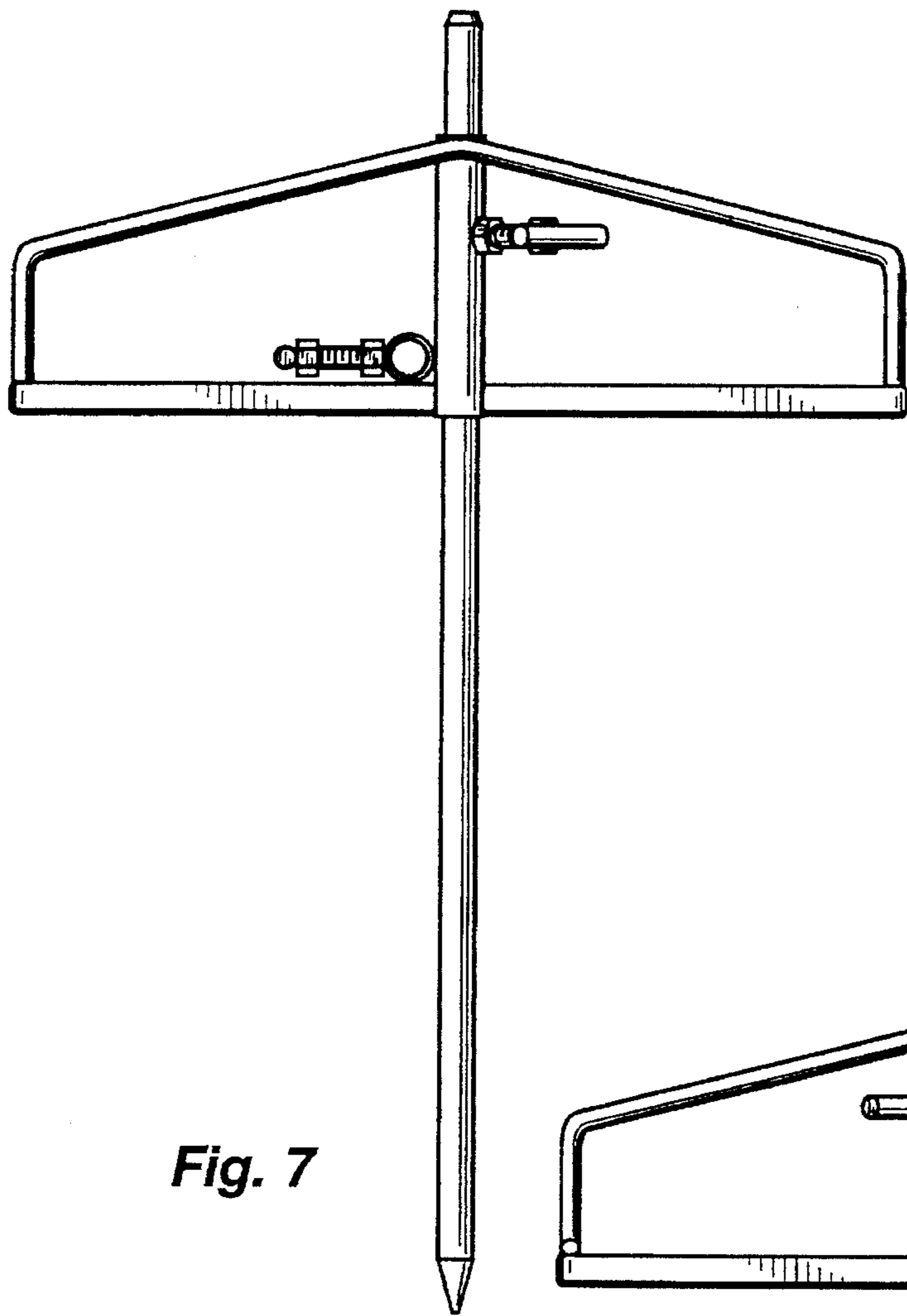


Fig. 7

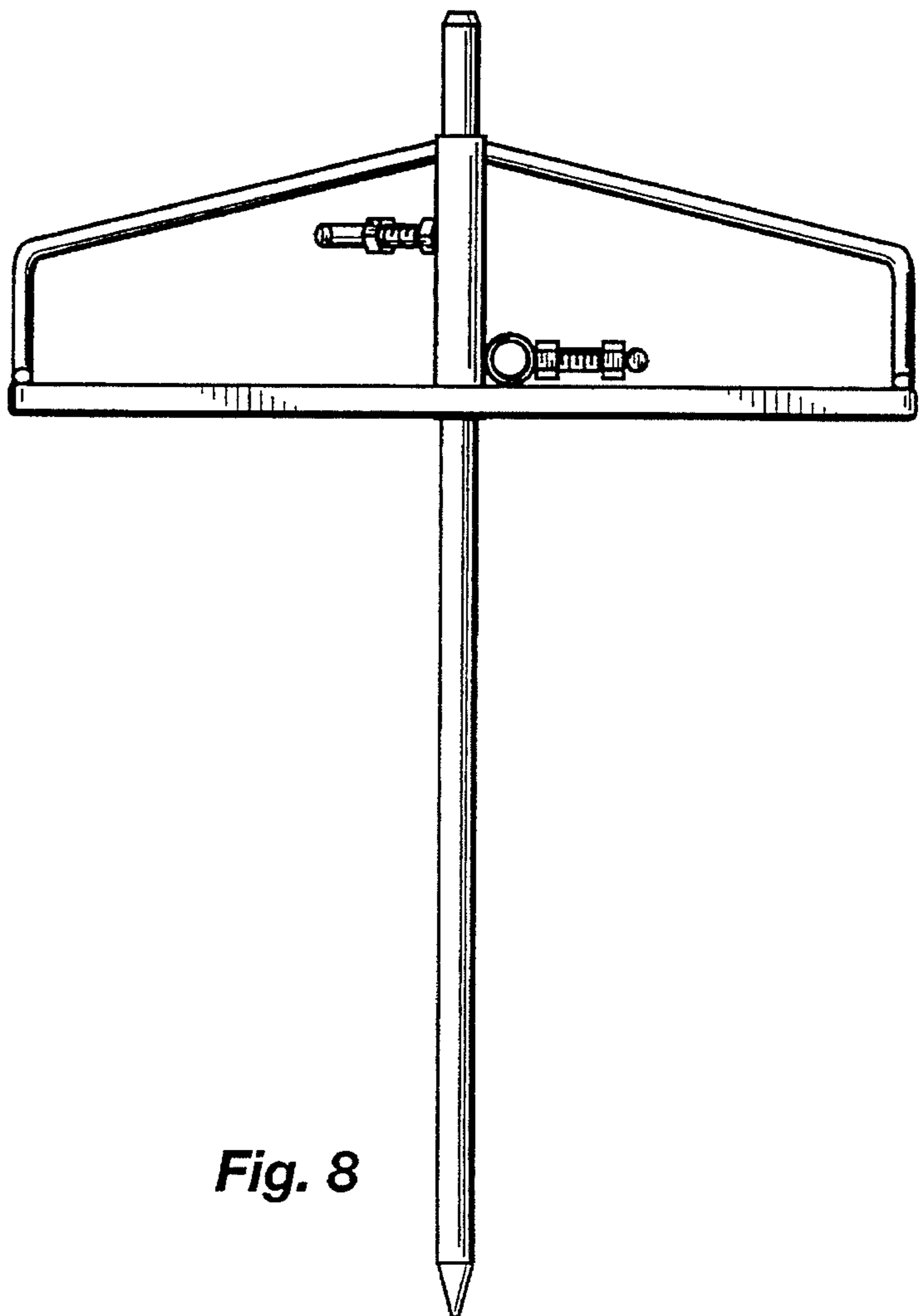


Fig. 8