



US00D369937S

United States Patent [19] Guadalupi

[11] Patent Number: **Des. 369,937**

[45] Date of Patent: ****May 21, 1996**

[54] **DISPENSING UNIT FOR SOFT-DRINKS**

[75] Inventor: **Riccardo Guadalupi**, Ponteranica, Italy

[73] Assignee: **Vin Service S.r.l.**, Bergamo, Italy

[**] Term: **14 Years**

[21] Appl. No.: **7,603**

[22] Filed: **Apr. 26, 1993**

[30] **Foreign Application Priority Data**

Oct. 26, 1992 [IT] Italy MI9200713

[52] U.S. Cl. **D7/300**; D7/306

[58] Field of Search D7/300, 305, 398,
D7/306, 397, 307, 313, 308, 311, 589,
387; 222/129.1-129.4; D20/4, 5

[56] **References Cited**

U.S. PATENT DOCUMENTS

D. 185,006	4/1959	Langevin	D7/313 X
D. 185,162	5/1959	Metzger	D7/308
D. 194,420	1/1963	Cornelius	D7/308
D. 194,527	2/1963	Cornelius	D7/308
D. 195,810	8/1963	Hodgman	D7/308
D. 195,811	8/1963	Hodgman	D7/308
D. 201,860	8/1965	Reichow	D7/308
D. 209,950	1/1968	Cornelius	D7/308

D. 218,083	7/1970	Hartley	D7/308
D. 230,902	3/1974	Fogel	D7/308
D. 231,502	4/1974	Allard	D7/308
D. 259,725	6/1981	Wasserstrom et al.	D7/308
D. 301,193	5/1989	Schechter et al.	D7/308
D. 301,672	6/1989	Schechter et al.	D7/308 X
D. 305,857	2/1990	Schechter et al.	D7/397
D. 328,220	7/1992	Barnard et al.	D7/313 X
D. 340,616	10/1993	Williams et al.	D7/398
D. 344,099	2/1994	Koenig	D20/4

Primary Examiner—M. N. Pandozzi
Attorney, Agent, or Firm—George P. Hoare, Jr.; Rogers & Wells

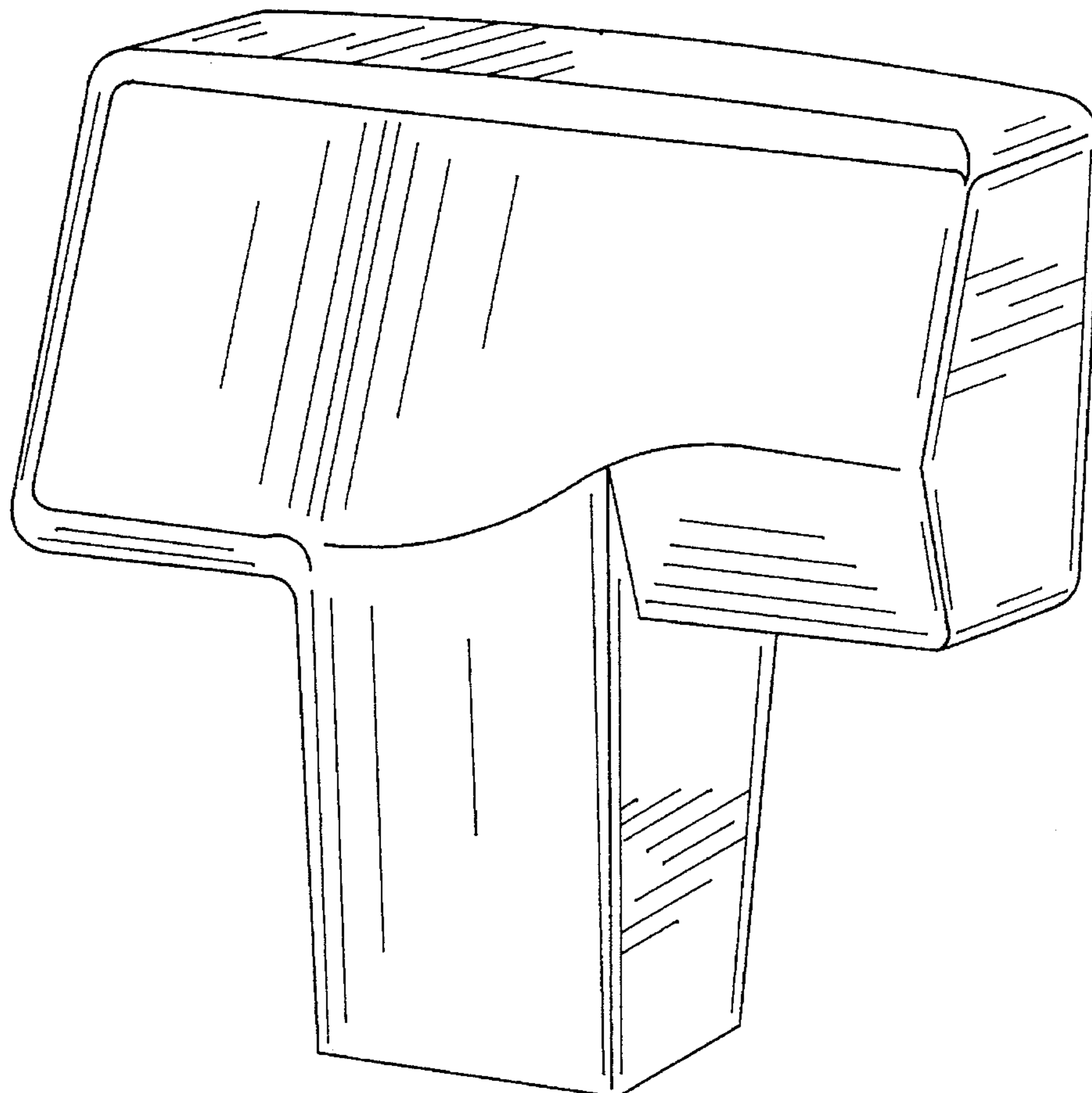
[57] **CLAIM**

The ornamental design for a dispensing unit for soft drinks, as shown and described.

DESCRIPTION

FIG. 1 is a front perspective view of a dispensing unit for soft drinks showing my design;
FIG. 2 is right side elevational view thereof;
FIG. 3 is a left side elevational view thereof;
FIG. 4 is a front elevational view thereof;
FIG. 5 is a rear elevational view thereof;
FIG. 6 is a top plan view thereof; and,
FIG. 7 is a bottom plan view thereof.

1 Claim, 4 Drawing Sheets



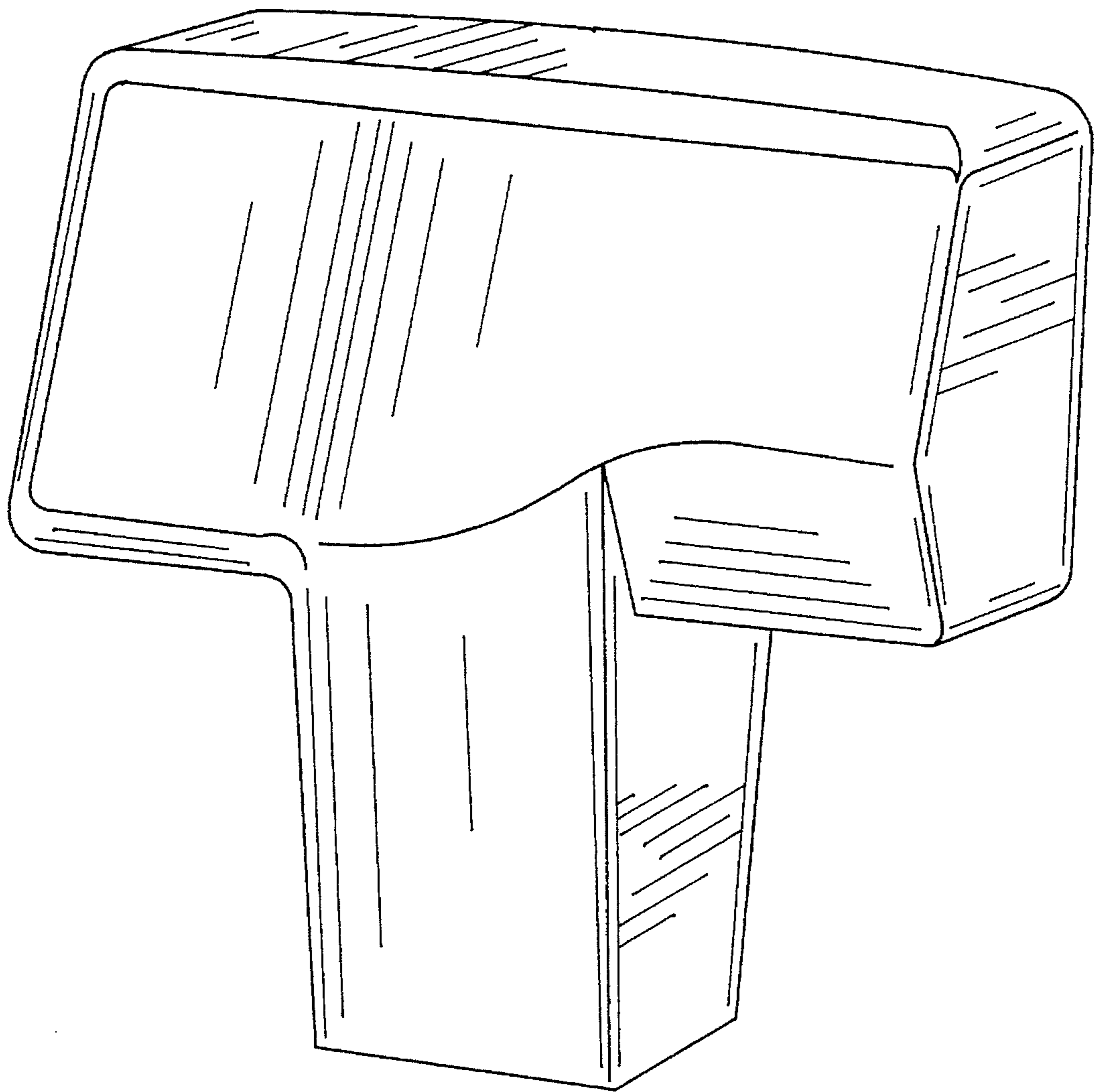


FIG. 1

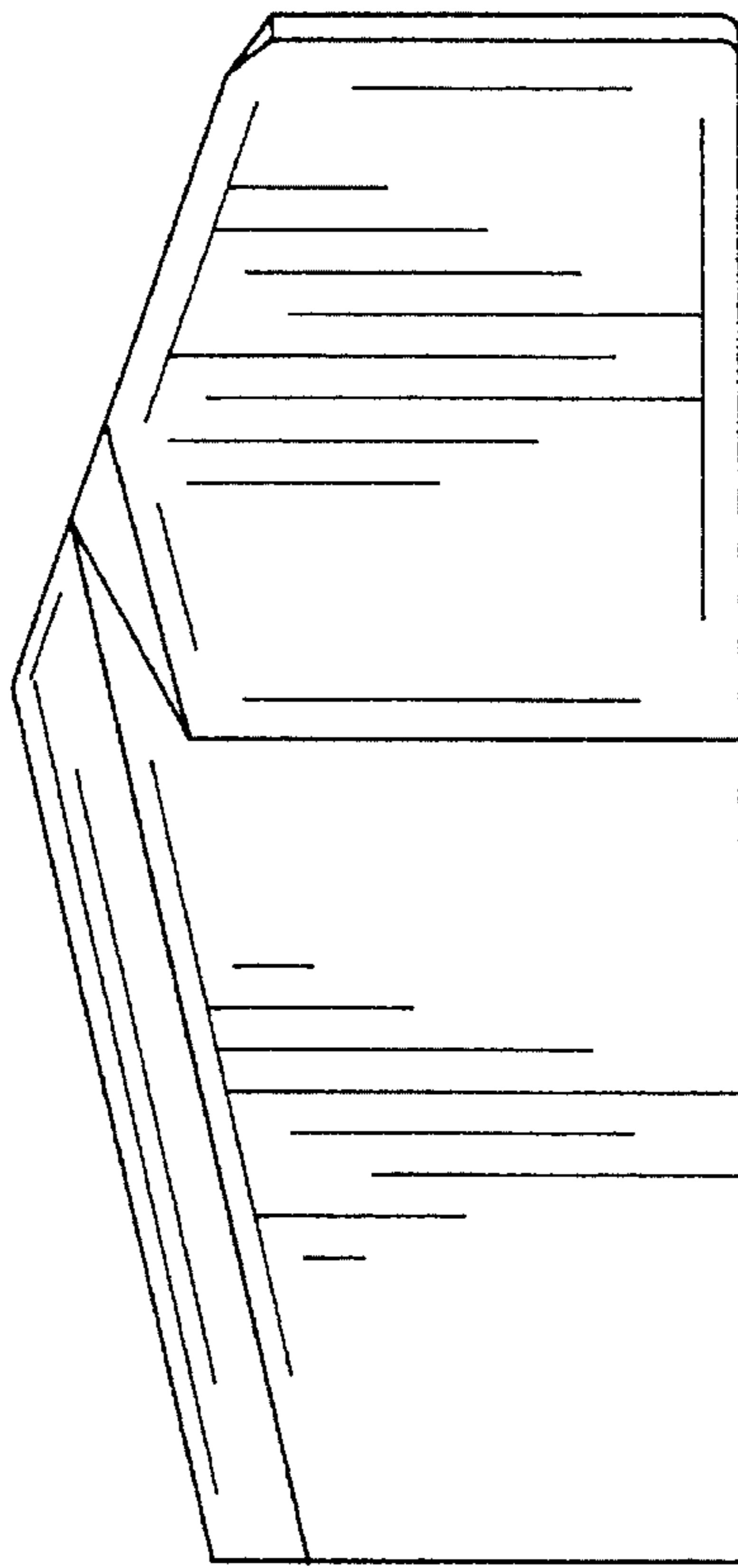


FIG. 2

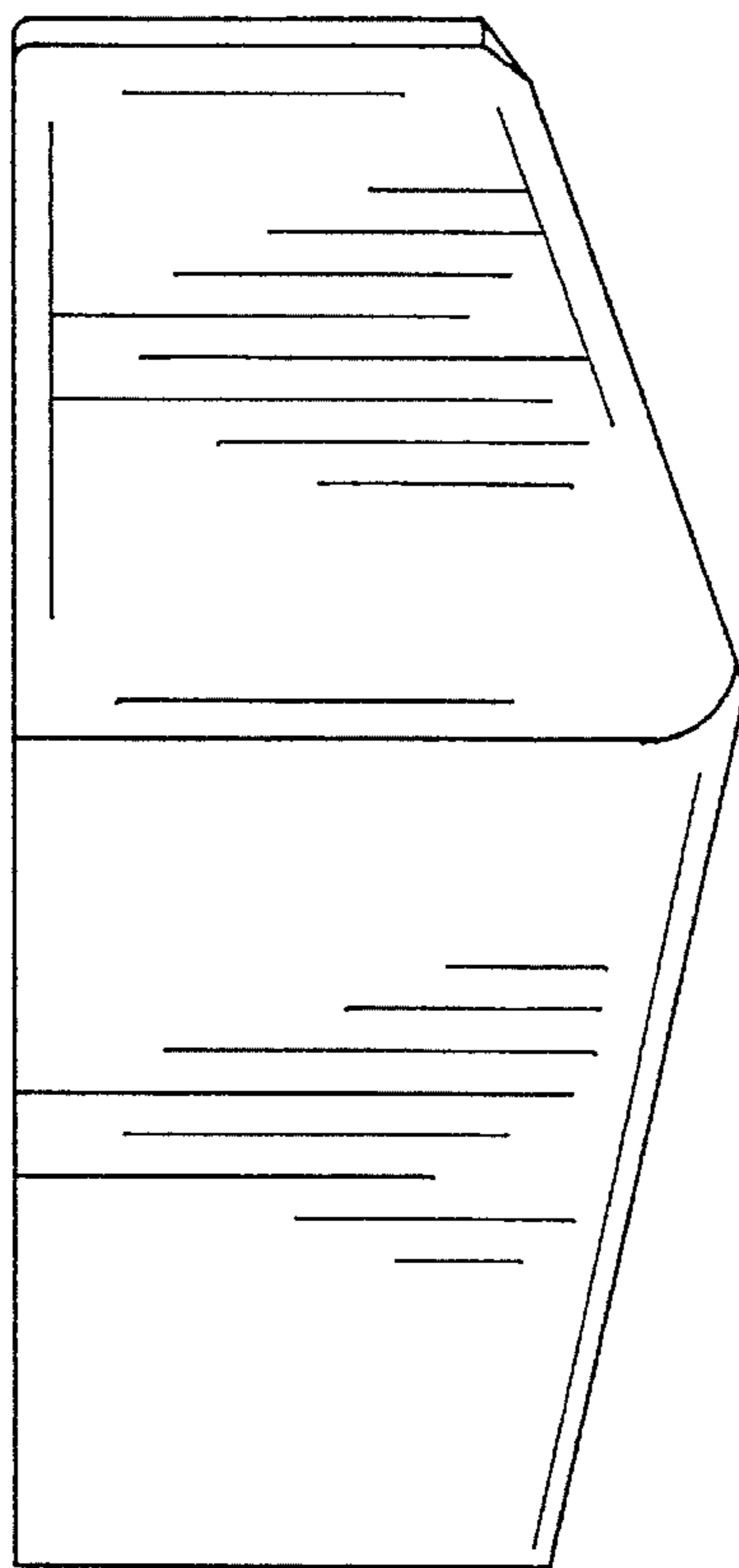


FIG. 3

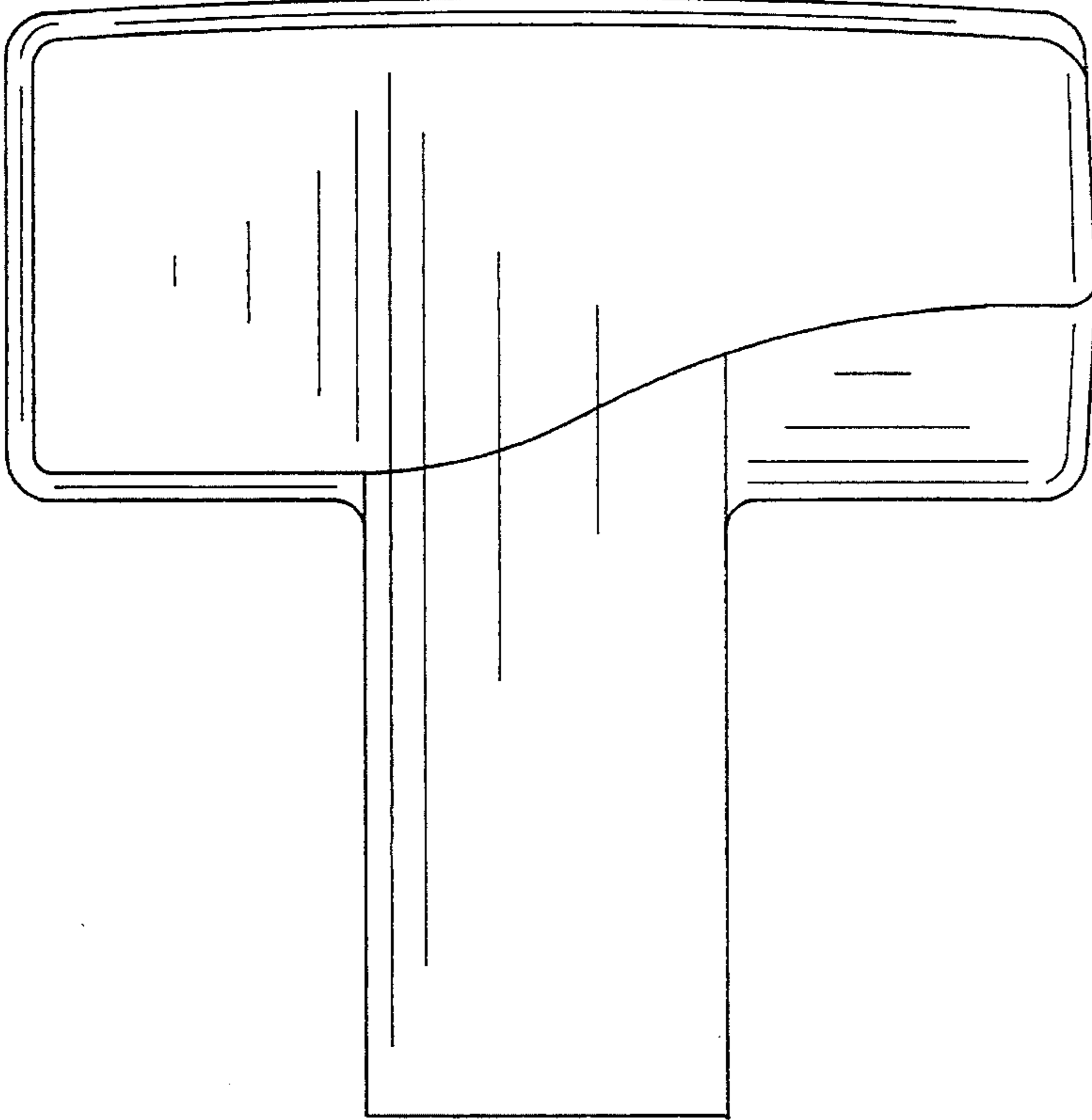


FIG. 4

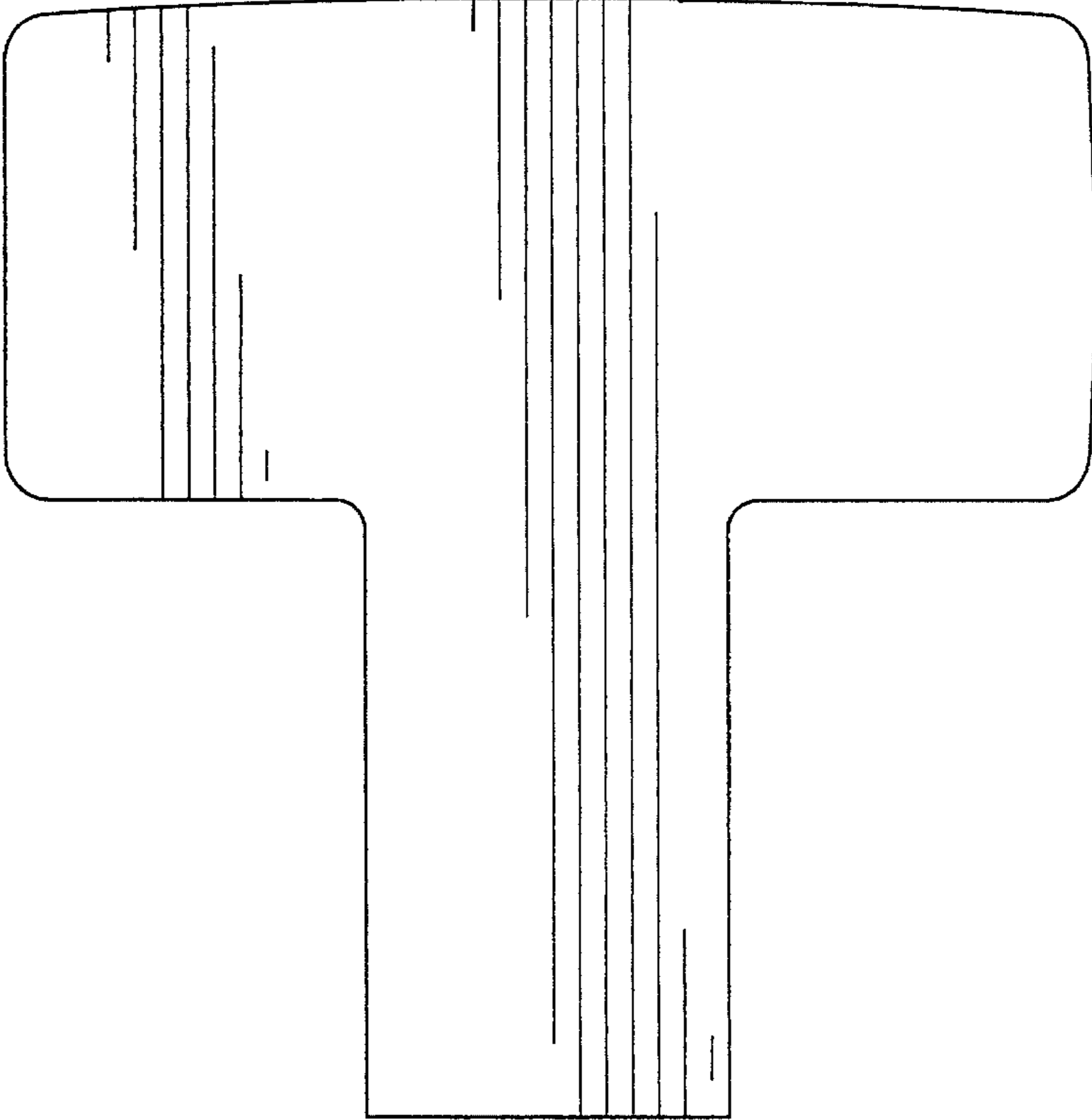


FIG. 5

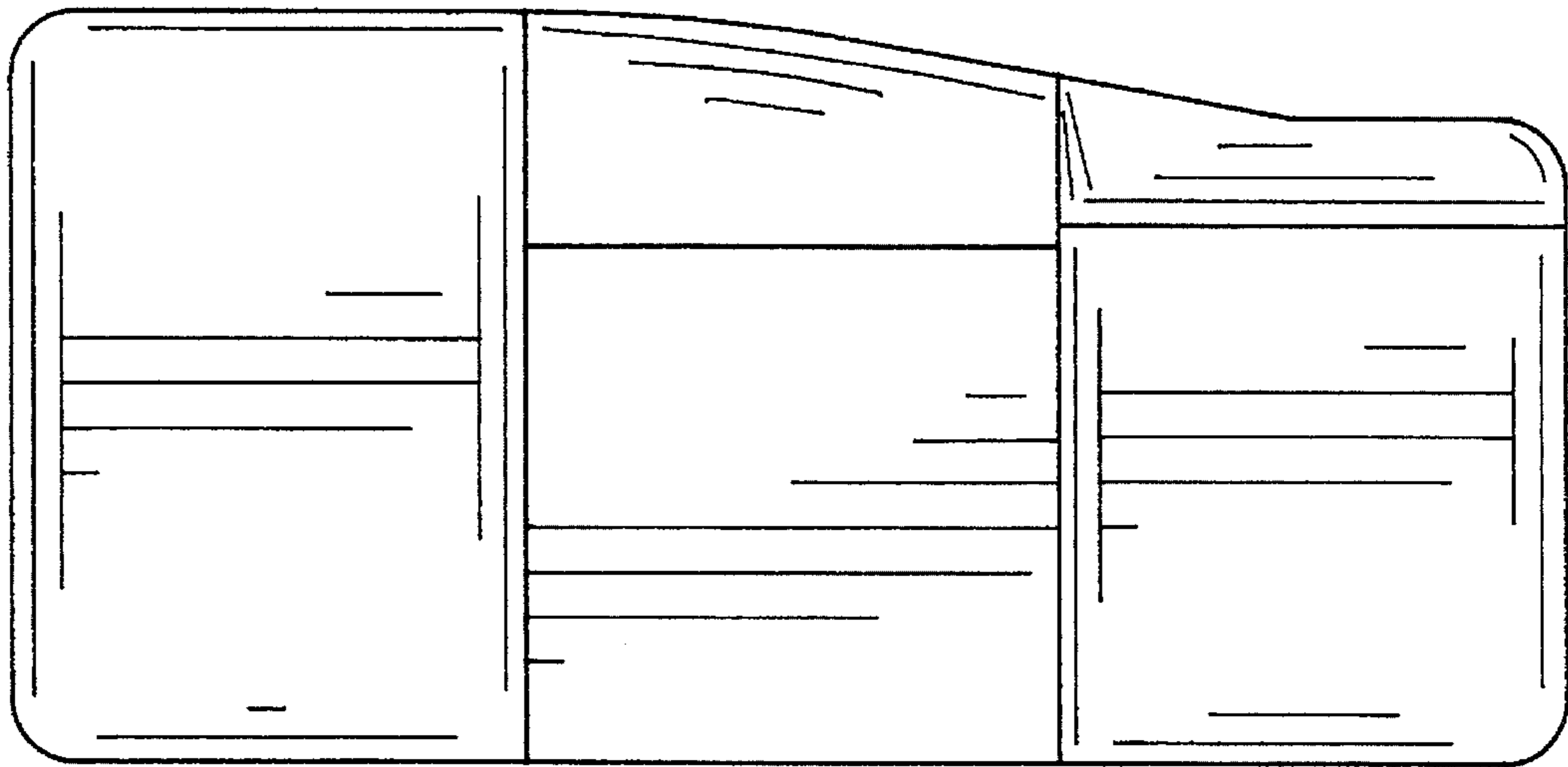


FIG. 6

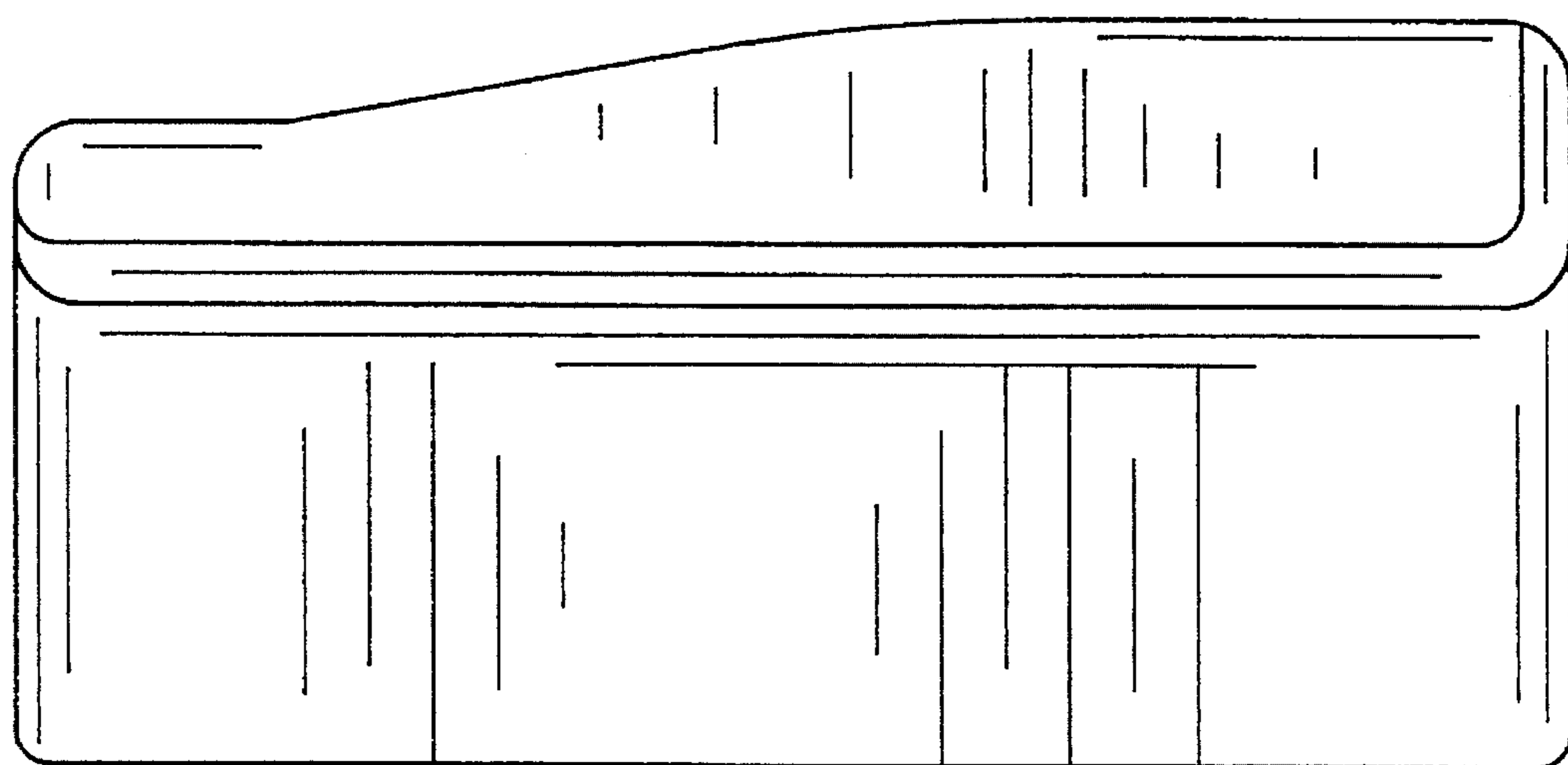


FIG. 7