



US00D369931S

United States Patent [19]

[11] Patent Number: **Des. 369,931**

Shames et al.

[45] Date of Patent: ****May 21, 1996**

[54] **BATHROOM ACCESSORY FIXTURE**

D. 329,347	9/1992	Gomes	D6/549
D. 334,315	3/1993	Bengston	D6/523 X
2,315,566	4/1943	Watral et al.	211/105.1 X

[76] Inventors: **Sidney J. Shames**, 57 Holly Pl., Briarcliff Manor, N.Y. 10510; **Harold Shames**, 5 Agnes Cir., Ardsley, N.Y. 10502

Primary Examiner—Brian N. Vinson
Attorney, Agent, or Firm—Bullwinkel Partners, Ltd.

[**] Term: **14 Years**

[57] CLAIM

[21] Appl. No.: **37,482**

The ornamental design for a bathroom accessory fixture, as shown and described.

[22] Filed: **Apr. 13, 1995**

DESCRIPTION

Related U.S. Application Data

[62] Division of Ser. No. 14,402, Oct. 19, 1993.
 [52] U.S. Cl. **D6/524**; D6/523; D6/549
 [58] Field of Search D6/518, 522-523, D6/546, 549; 211/123, 124, 182, 86-87, 105.1; 242/570, 598

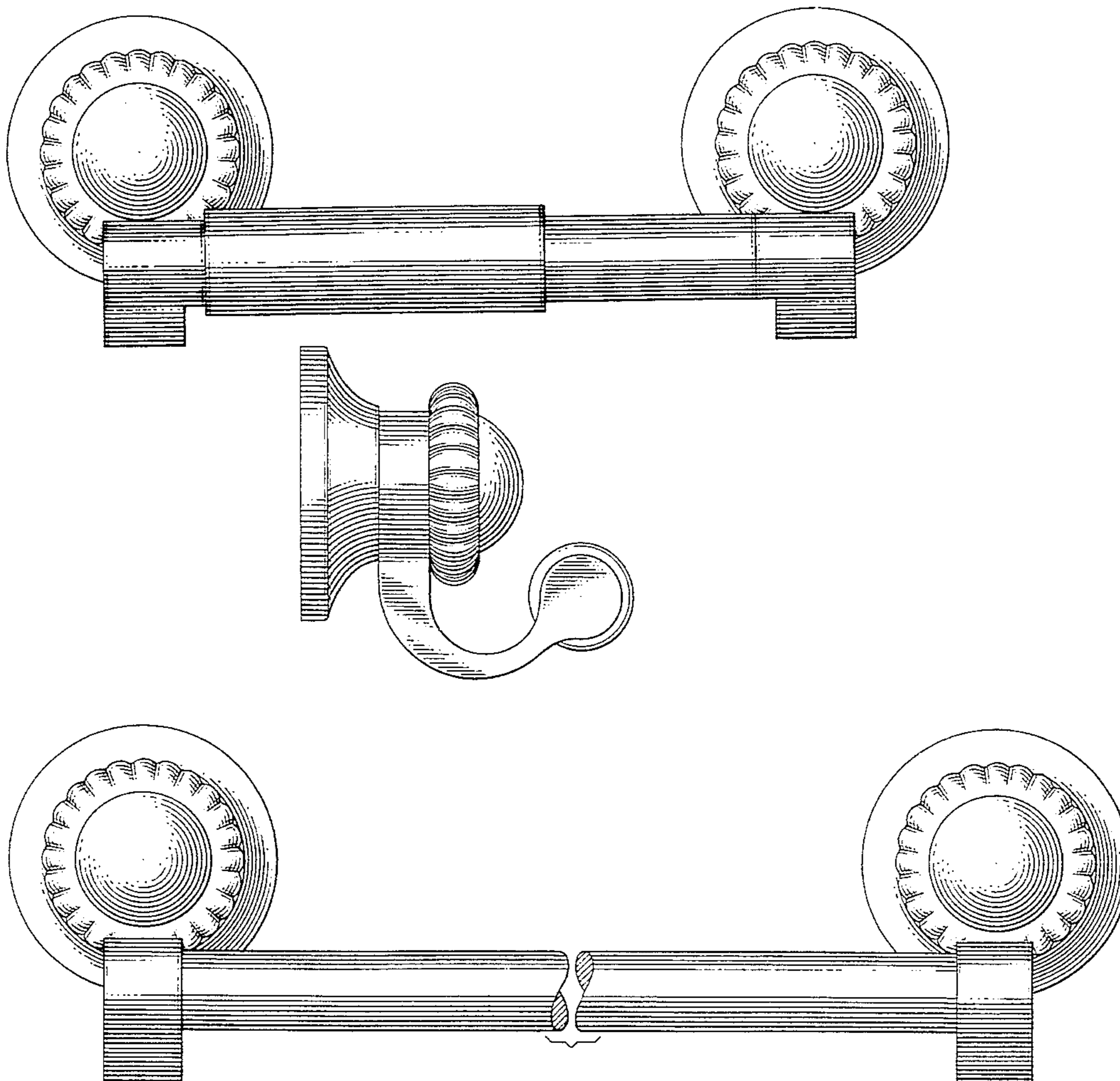
FIG. 1 is a front elevational view of a bathroom support fixture as embodied in a toilet roll holder showing our new design;
 FIG. 2 is a top plan view thereof;
 FIG. 3 is a bottom plan view thereof;
 FIG. 4 is a left side elevational view thereof, the right side being a mirror image of that shown;
 FIG. 5 is a front elevational view of a bathroom support fixture as embodied in a towel bar showing our new design;
 FIG. 6 is a top plan view thereof;
 FIG. 7 is a bottom plan view thereof; and,
 FIG. 8 is a left side elevational view thereof, the right side being a mirror image of that shown.

[56] References Cited

U.S. PATENT DOCUMENTS

D. 256,862	9/1980	Ryan et al.	D6/549
D. 256,864	9/1980	Nippel et al.	D6/549
D. 327,593	7/1992	Emery	D6/522
D. 327,598	7/1992	Emery	D6/546

1 Claim, 4 Drawing Sheets



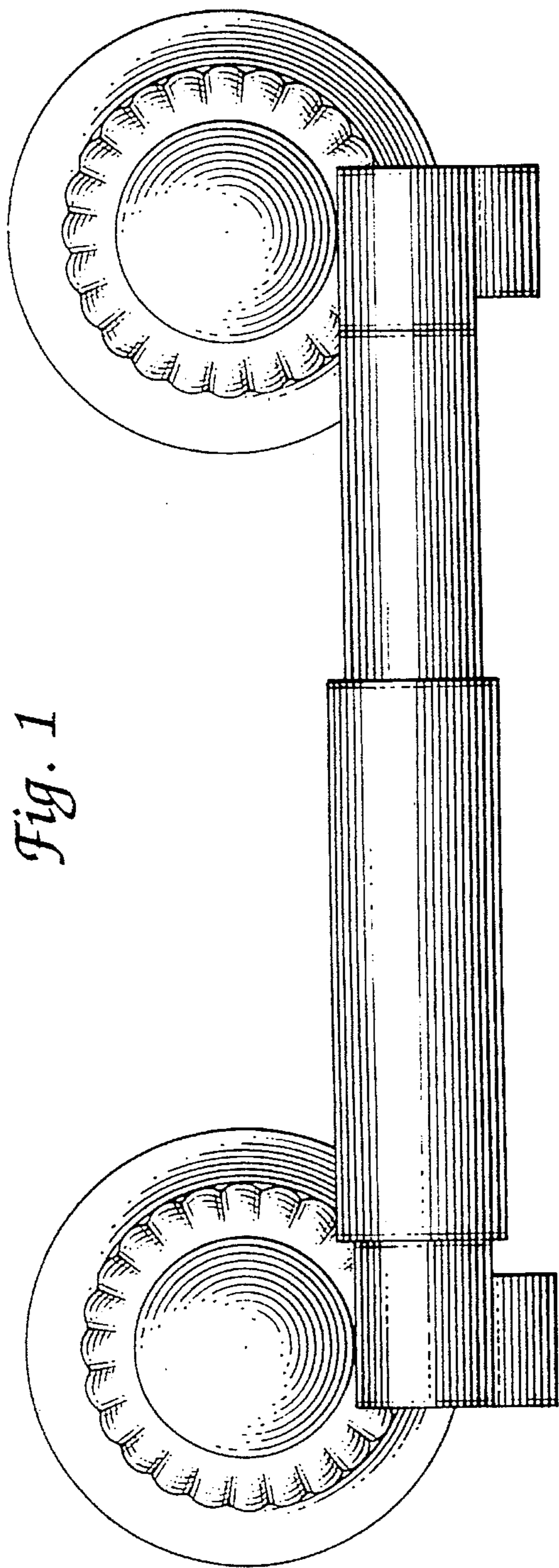


Fig. 1

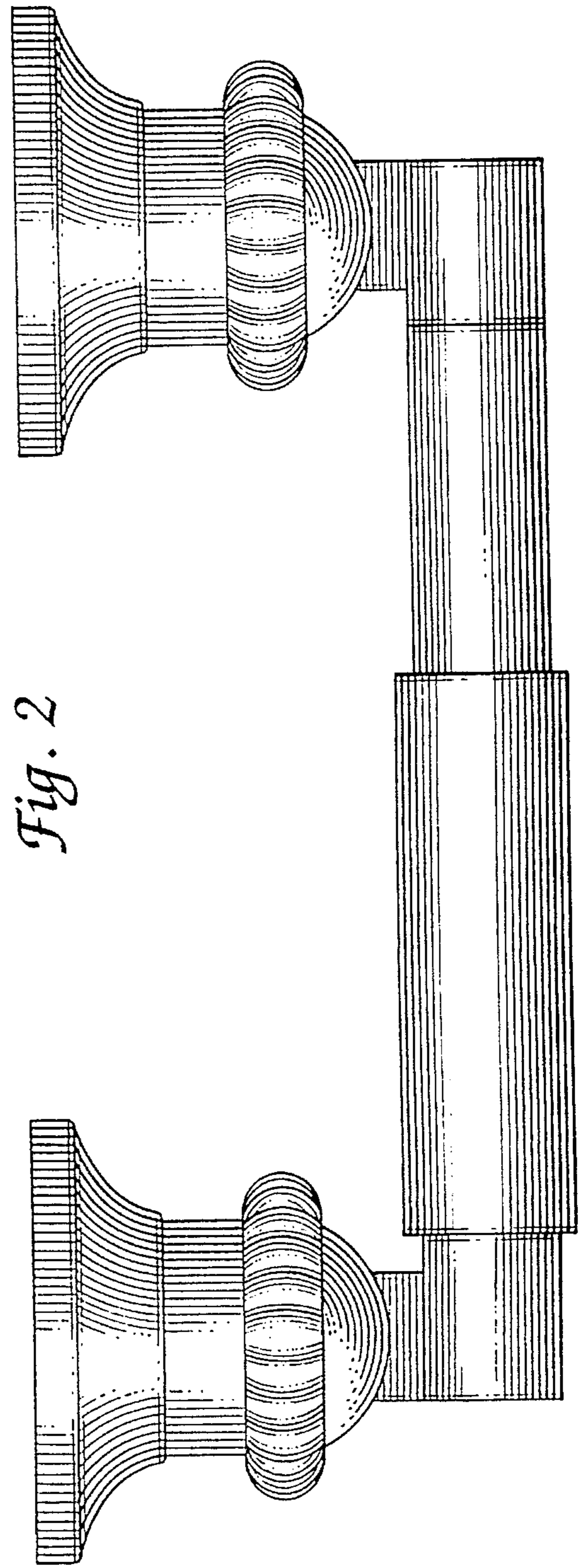


Fig. 2

Fig. 3

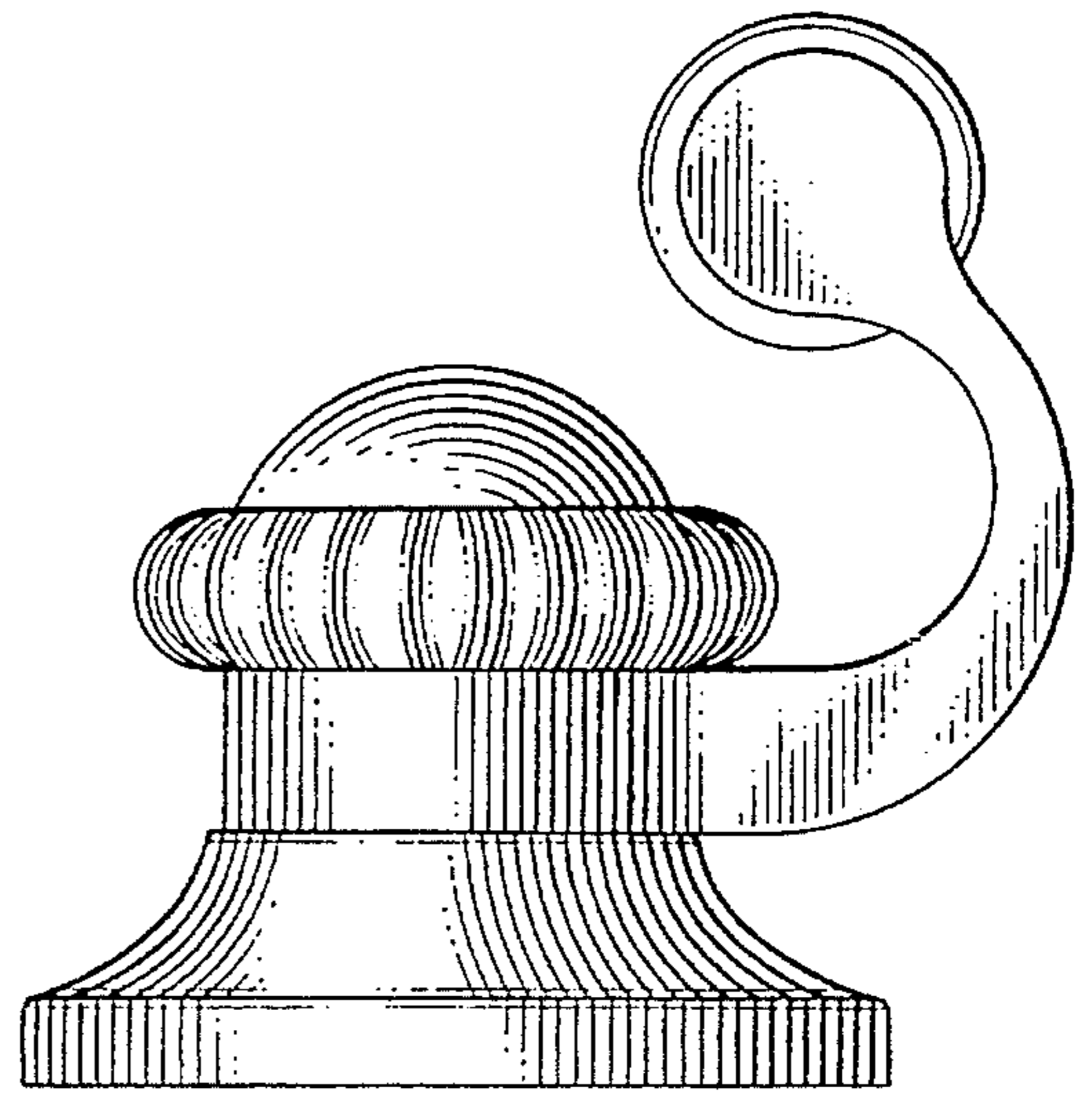
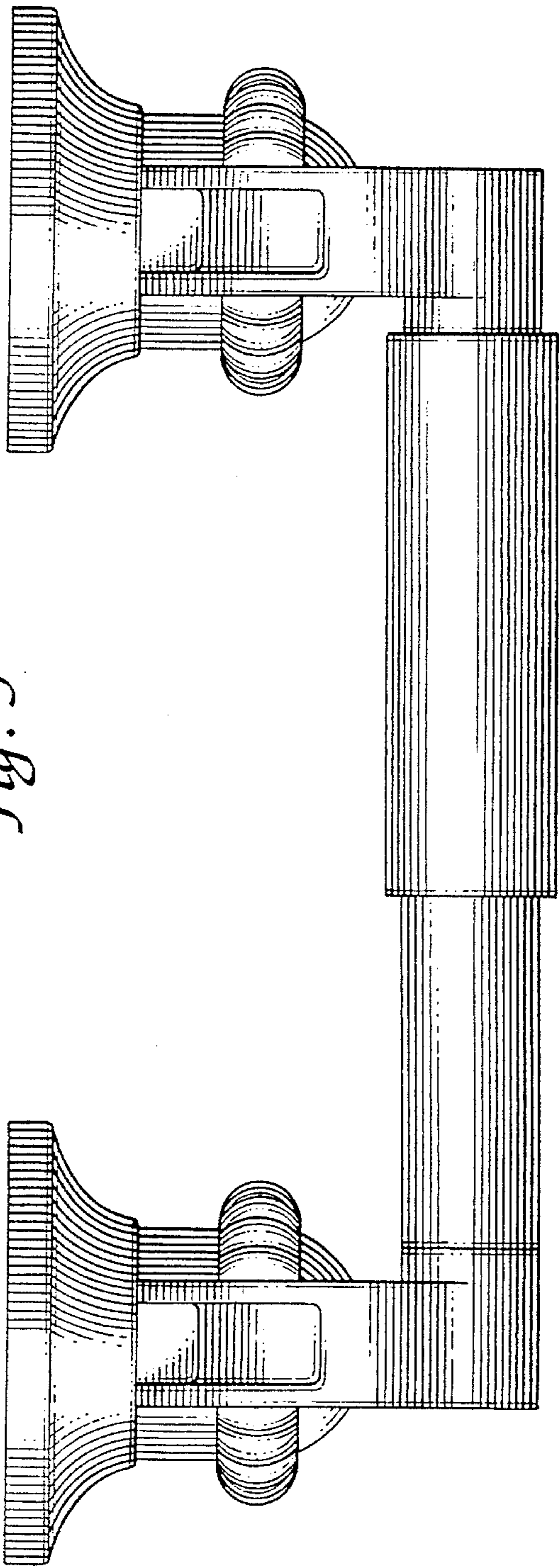


Fig. 4

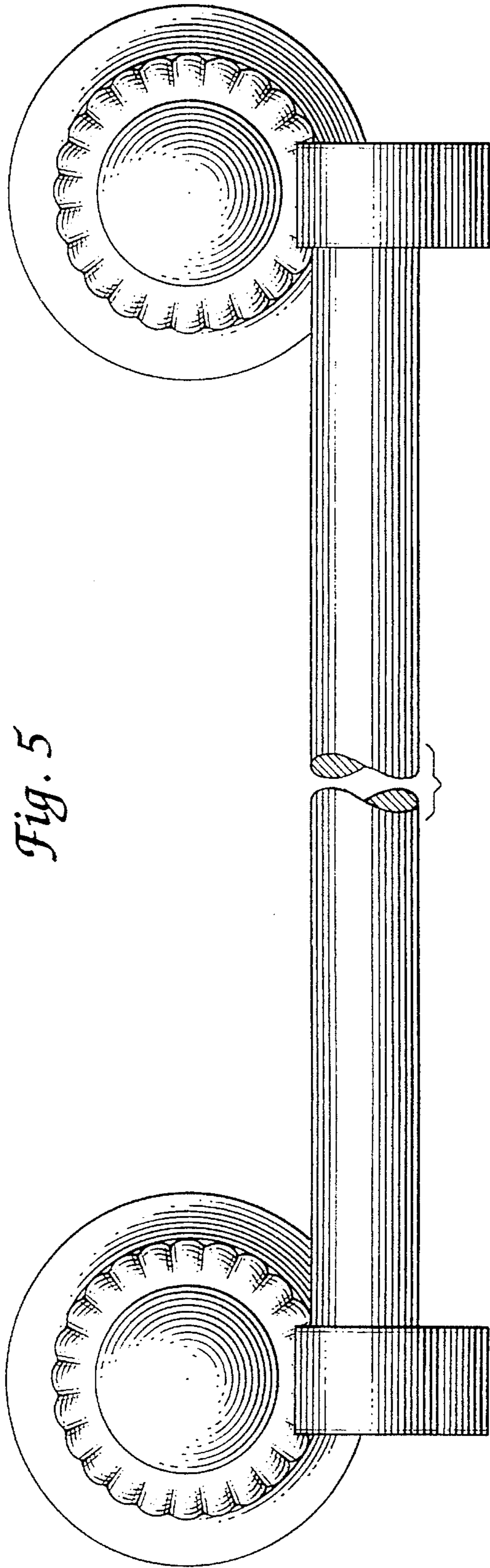


Fig. 5

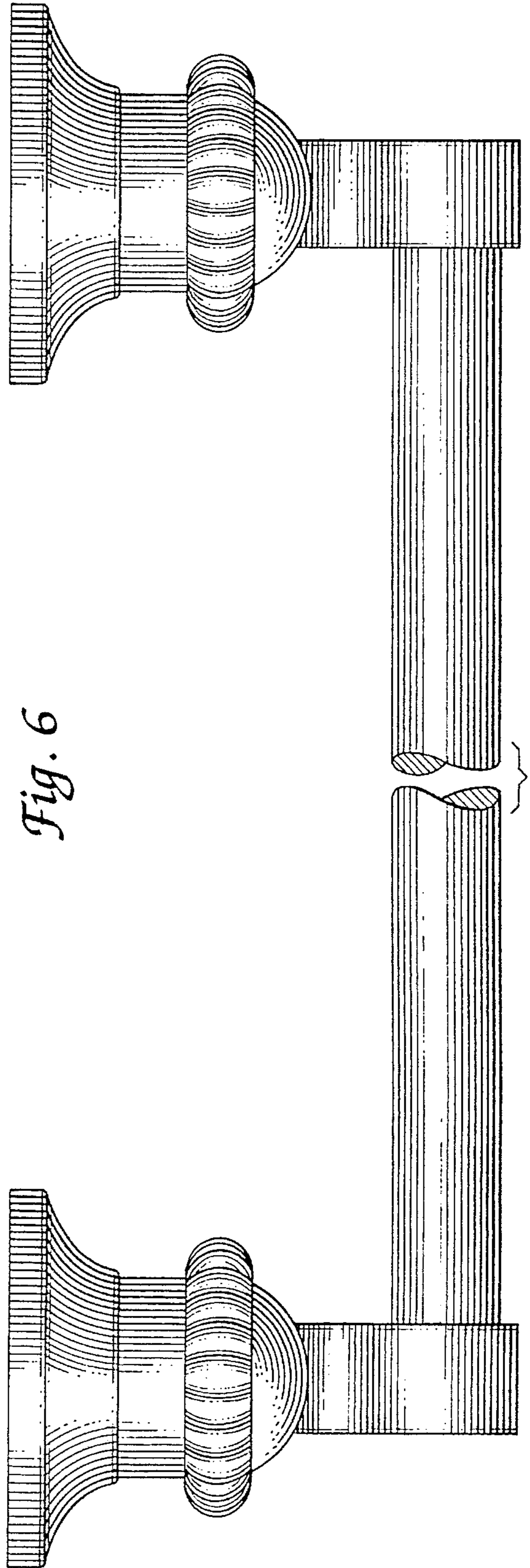


Fig. 6

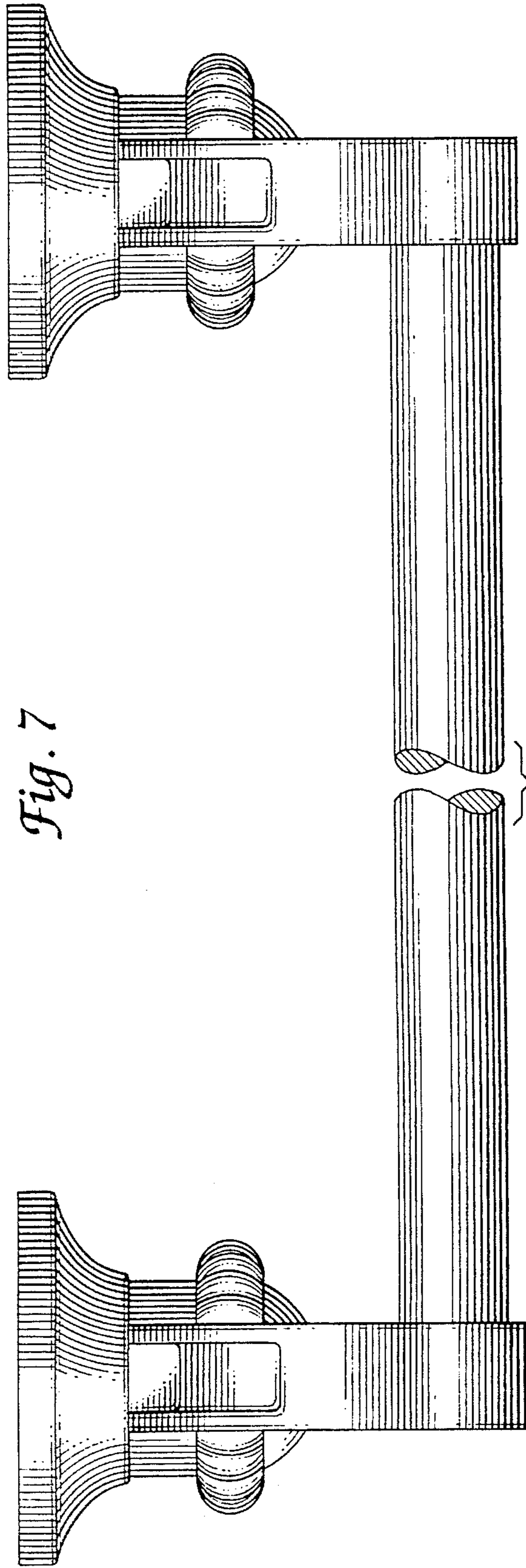


Fig. 7

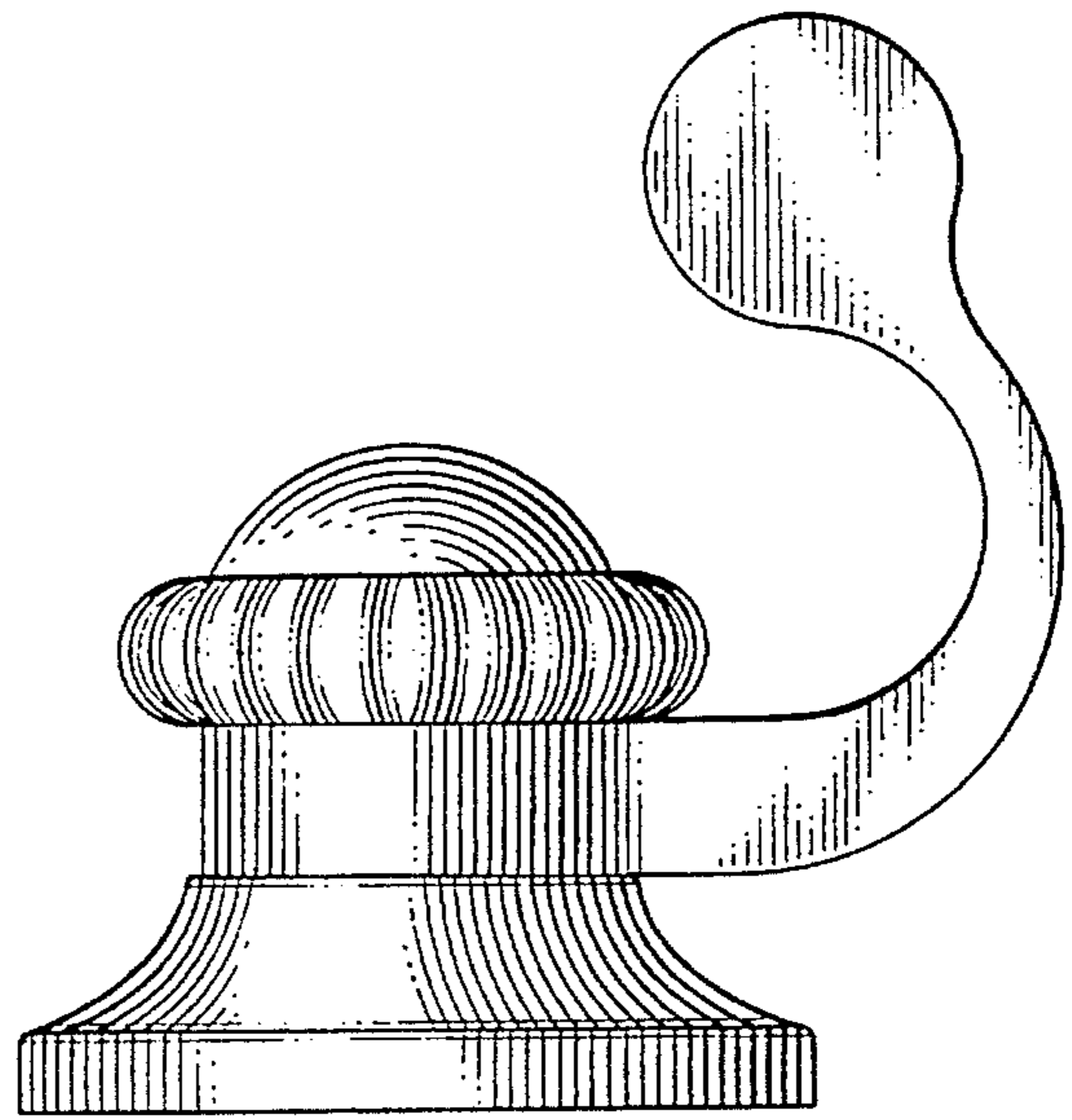


Fig. 8