



US00D369929S

**United States Patent** [19]  
**Perry**

[11] **Patent Number: Des. 369,929**  
[45] **Date of Patent: \*\*May 21, 1996**

[54] **ADJUSTABLE ARM REST**

**DESCRIPTION**

[76] Inventor: **Mary O. Perry**, 144 Santee Dr.,  
Panama City, Fla. 32404  
[\*\*] Term: **14 Years**  
[21] Appl. No.: **29,078**  
[22] Filed: **Sep. 29, 1994**  
[52] U.S. Cl. .... **D6/501**  
[58] **Field of Search** ..... D6/501, 492, 595,  
D6/606, 500, 502, 492; 297/411.23, 411.46,  
227, 482; 5/640, 645, 646, 488

[56] **References Cited**

**U.S. PATENT DOCUMENTS**

D. 350,866	9/1994	Miller et al. ....	D6/501
2,842,189	7/1958	Gratt .....	297/227
3,634,925	1/1972	Van Loo .....	297/227 X
4,929,027	5/1990	Beauvias, II .....	297/482

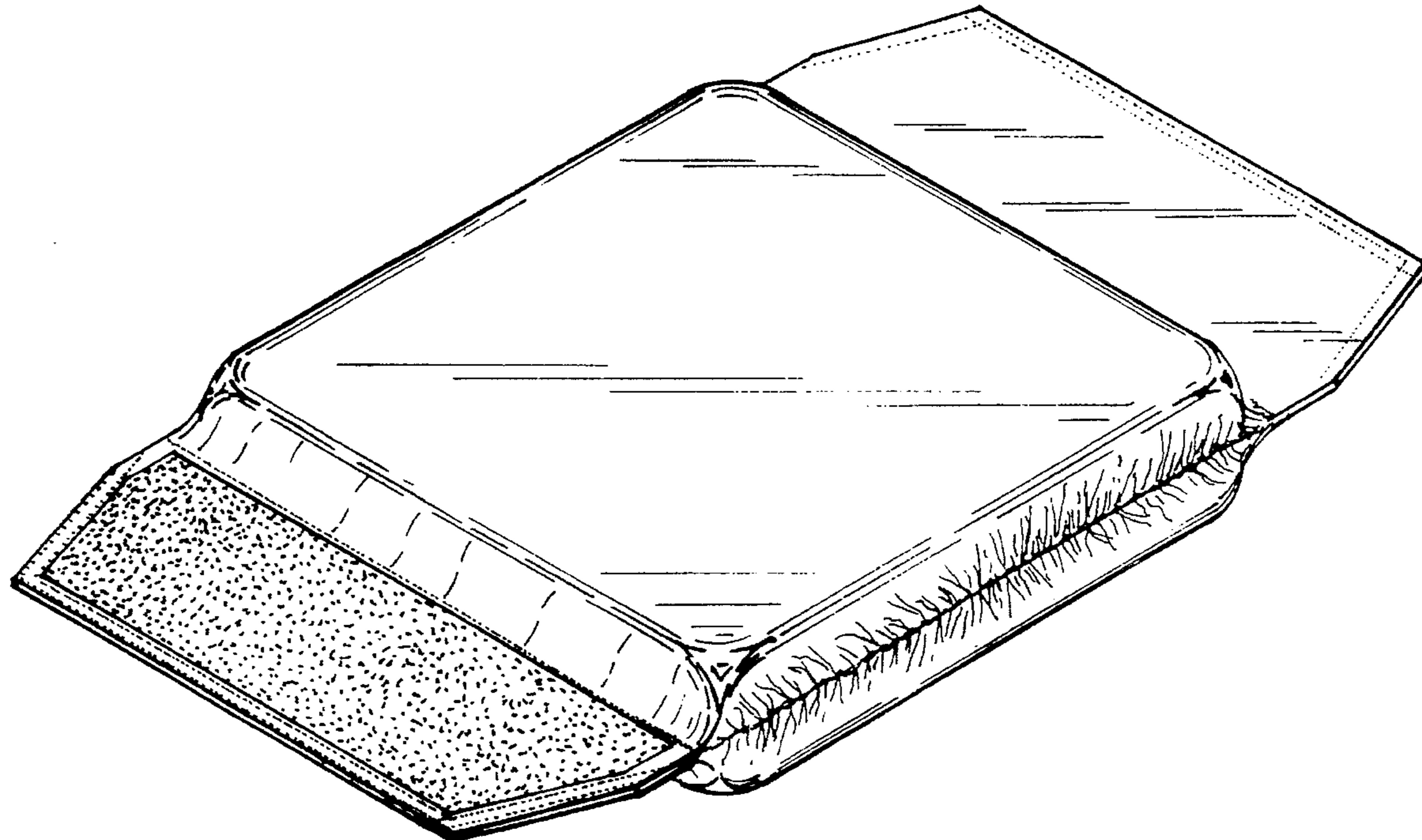
*Primary Examiner*—Martie Thompson  
*Attorney, Agent, or Firm*—George A. Bode

[57] **CLAIM**

The ornamental design for an adjustable arm rest, as shown and described.

FIG. 1 is a top, left front perspective view of an adjustable arm rest showing my new design;  
FIG. 2 is a bottom, rear and left side perspective view thereof;  
FIG. 3 is a top and right side perspective view thereof illustrating the alternate embodiment of FIGS. 1 and 2 in its operable position, the broken lines showing of the arm of an arm chair is for illustrative purposes only and forms no part of the claimed design;  
FIG. 4 is a front elevational view of the alternate embodiment of FIGS. 1 and 2 illustrating the device in its operable position, the broken lines showing of the arm of an arm chair (in cross-section) is for illustrative purposes only and forms no part of the claimed design;  
FIG. 5 is a front elevational view of the alternate embodiment of FIGS. 1 and 2 illustrating the device as it is folded to its operable position, the broken lines showing of the arm of an arm chair (in cross-section) is for illustrative purposes only and forms no part of the claimed design;  
FIG. 6 is a top, left front perspective view of a second embodiment of my new design; and,  
FIG. 7 is a bottom, left rear perspective view of FIG. 6.

**1 Claim, 3 Drawing Sheets**



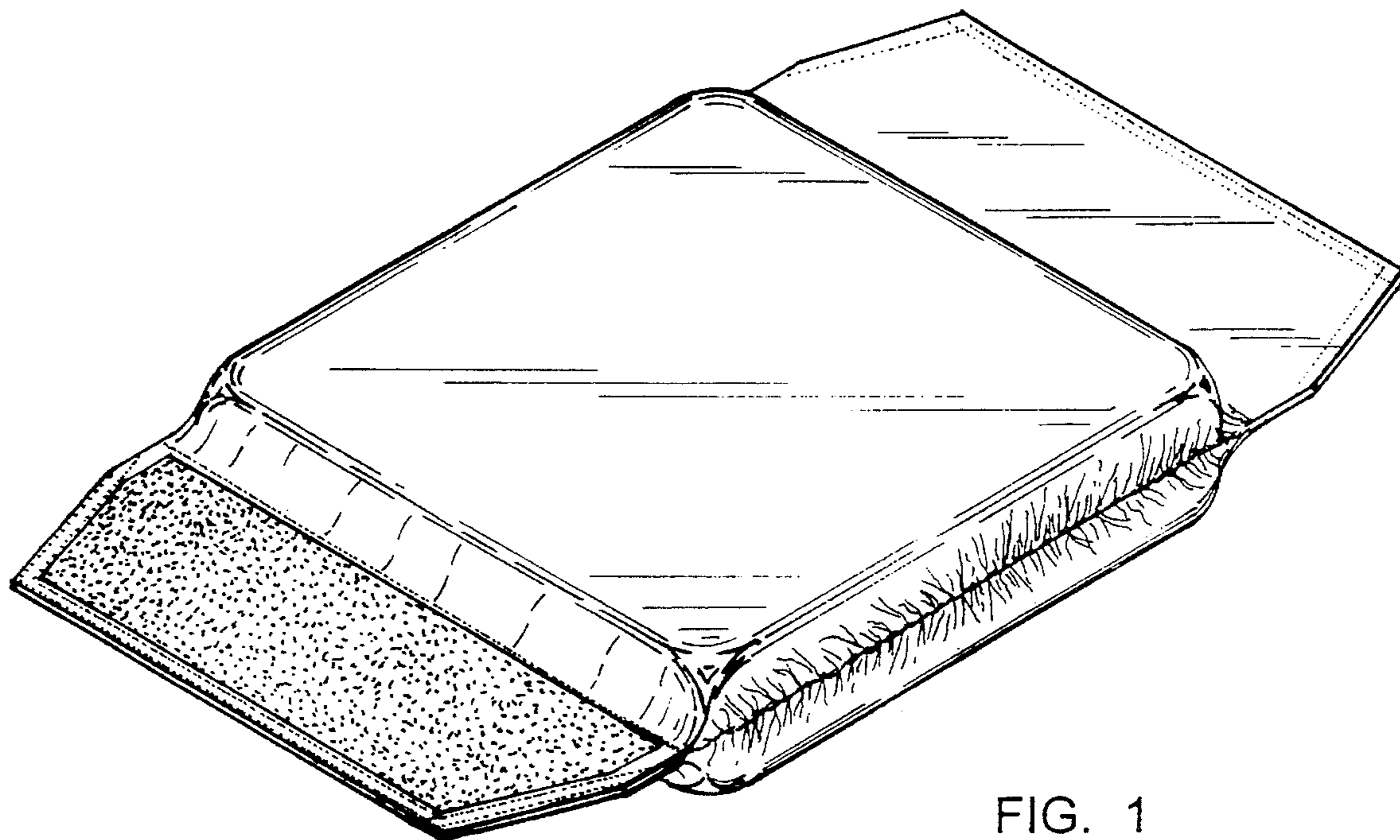


FIG. 1

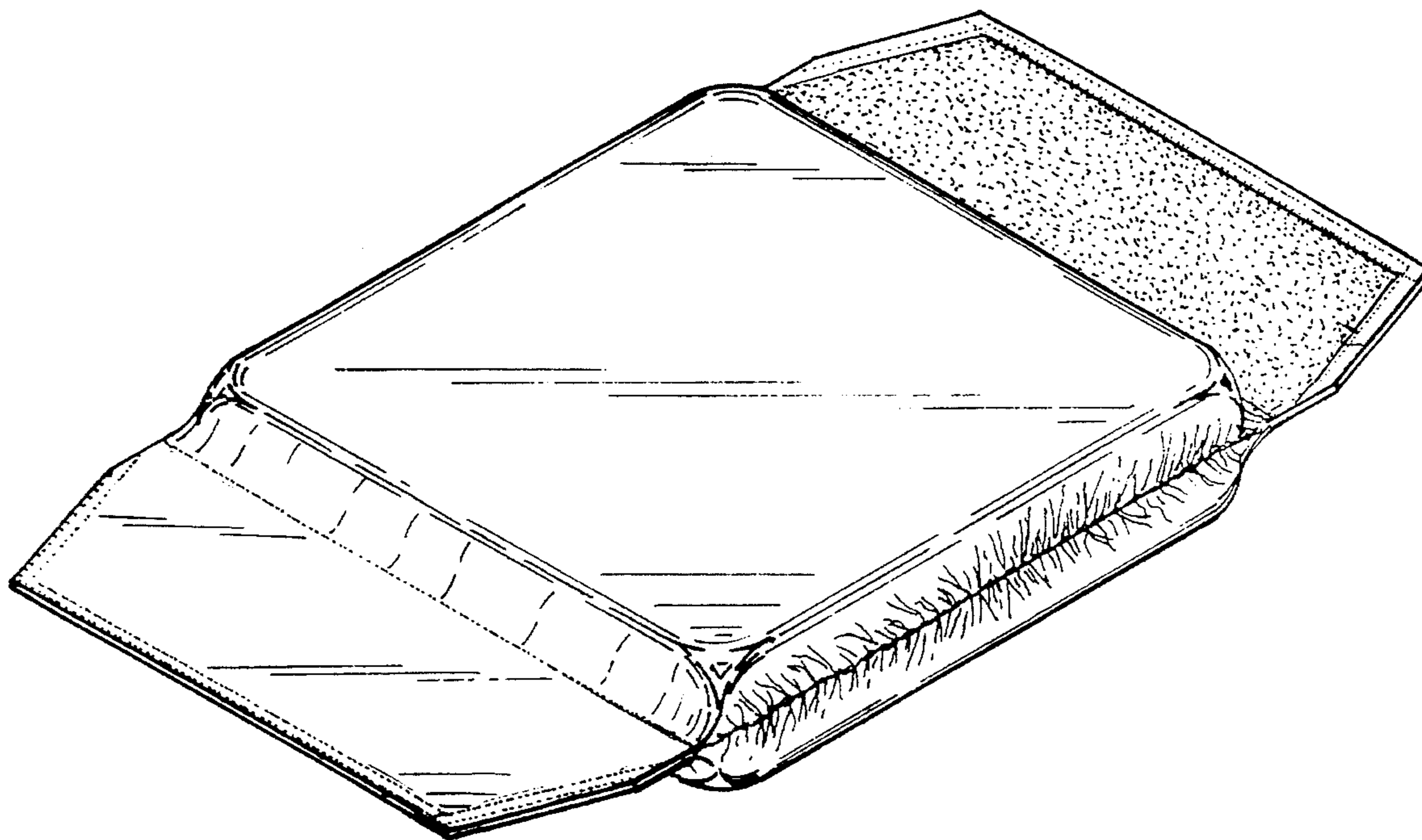


FIG. 2

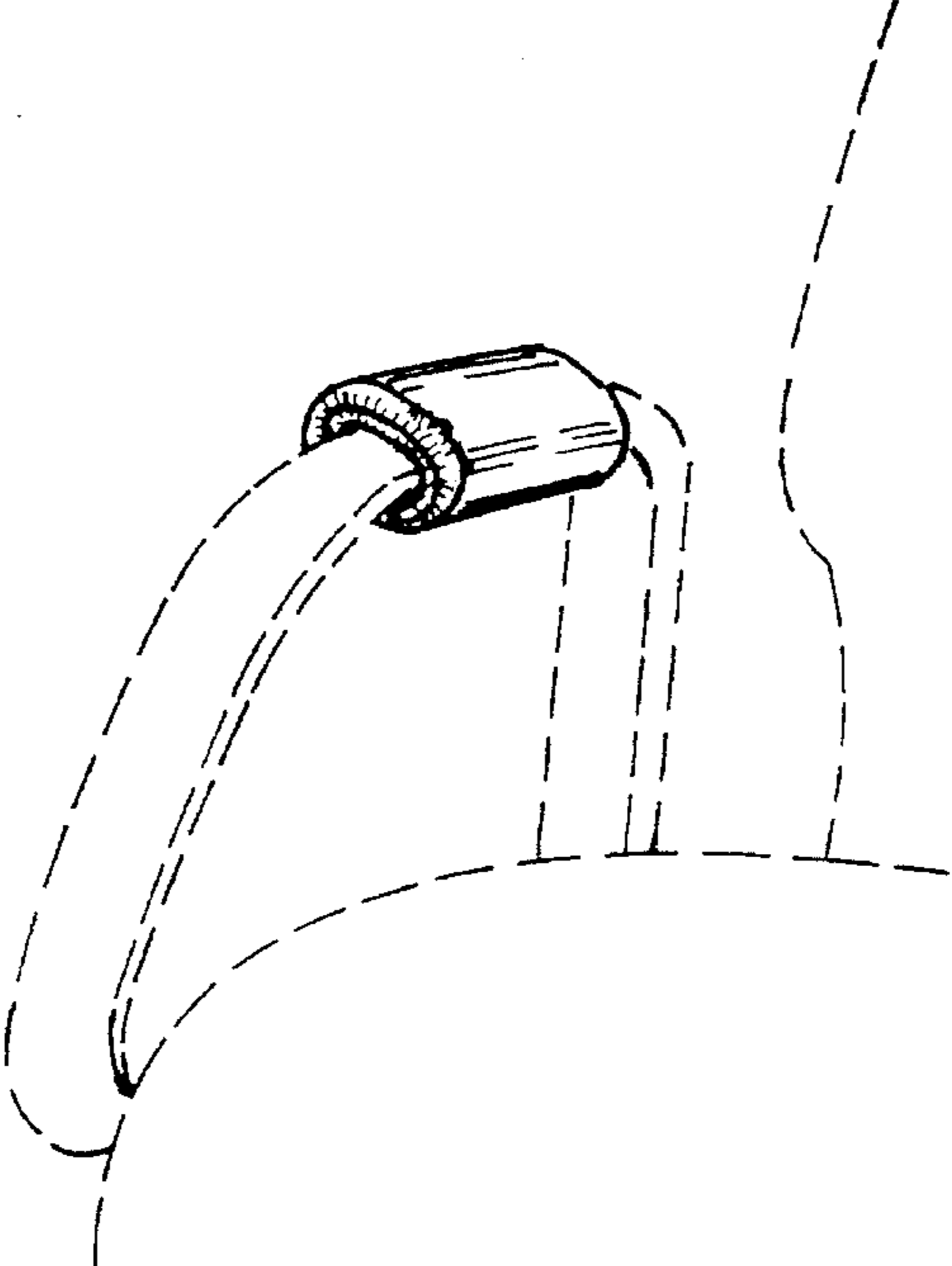


FIG. 3

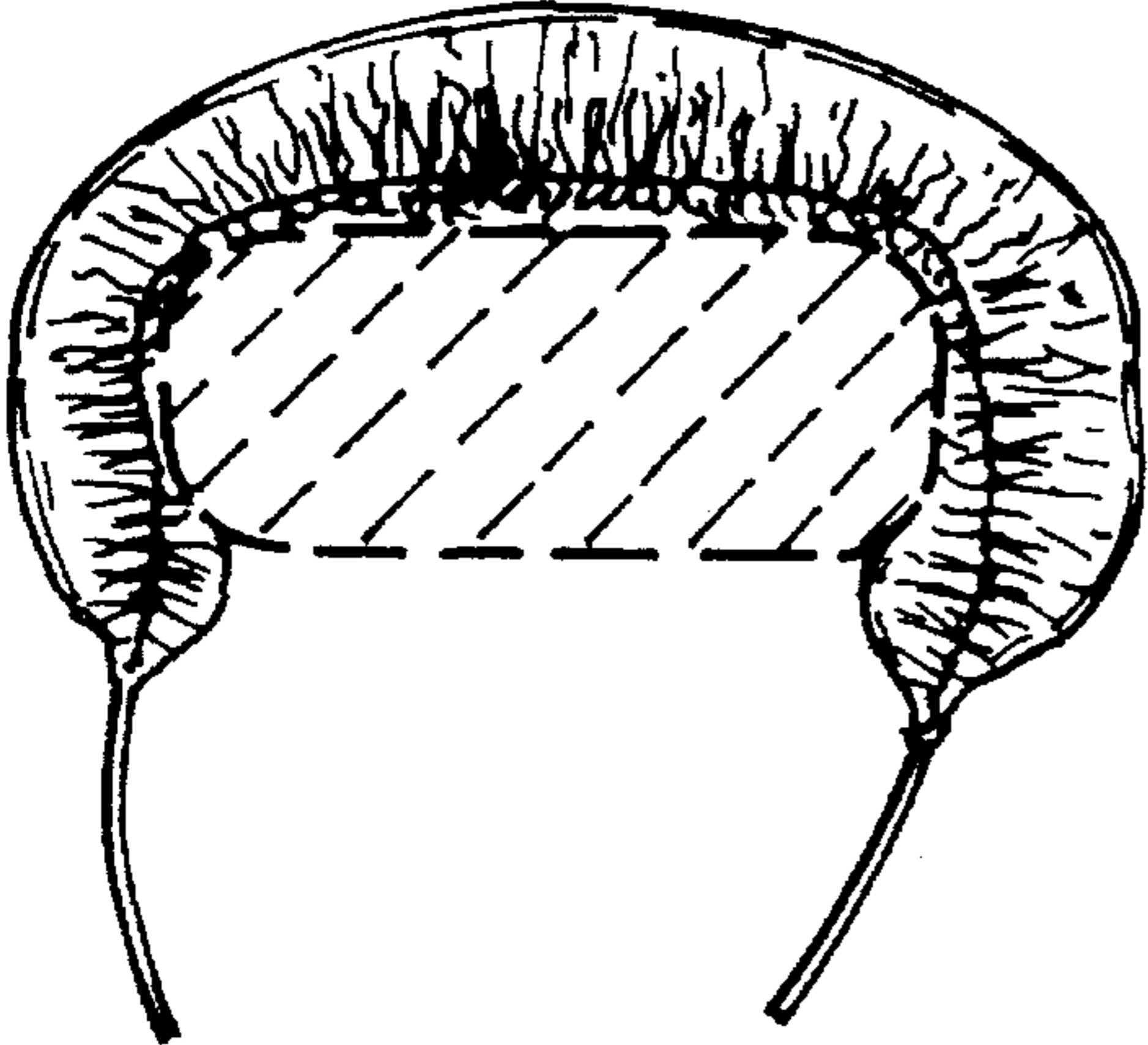


FIG. 4

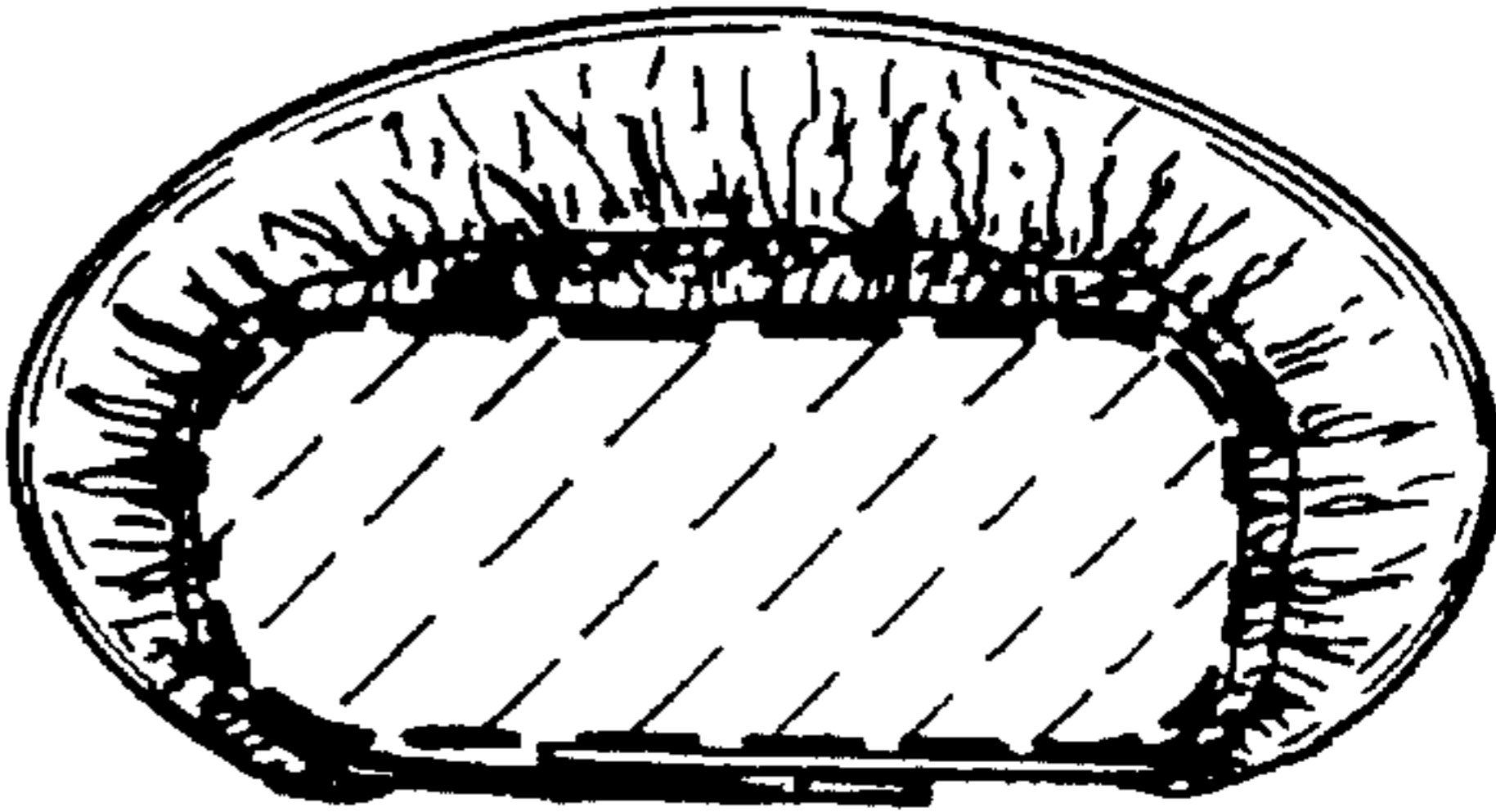


FIG. 5

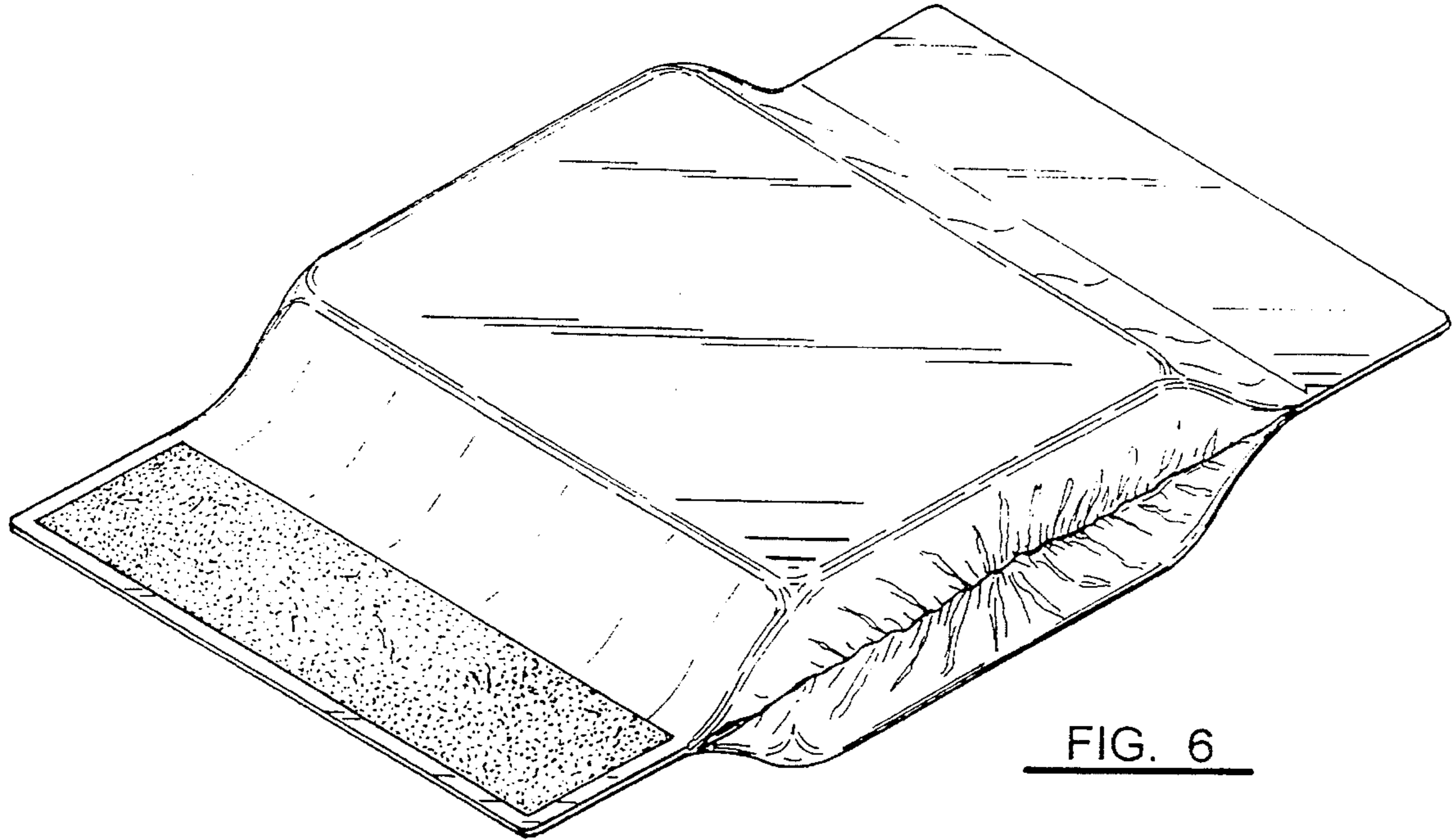


FIG. 6

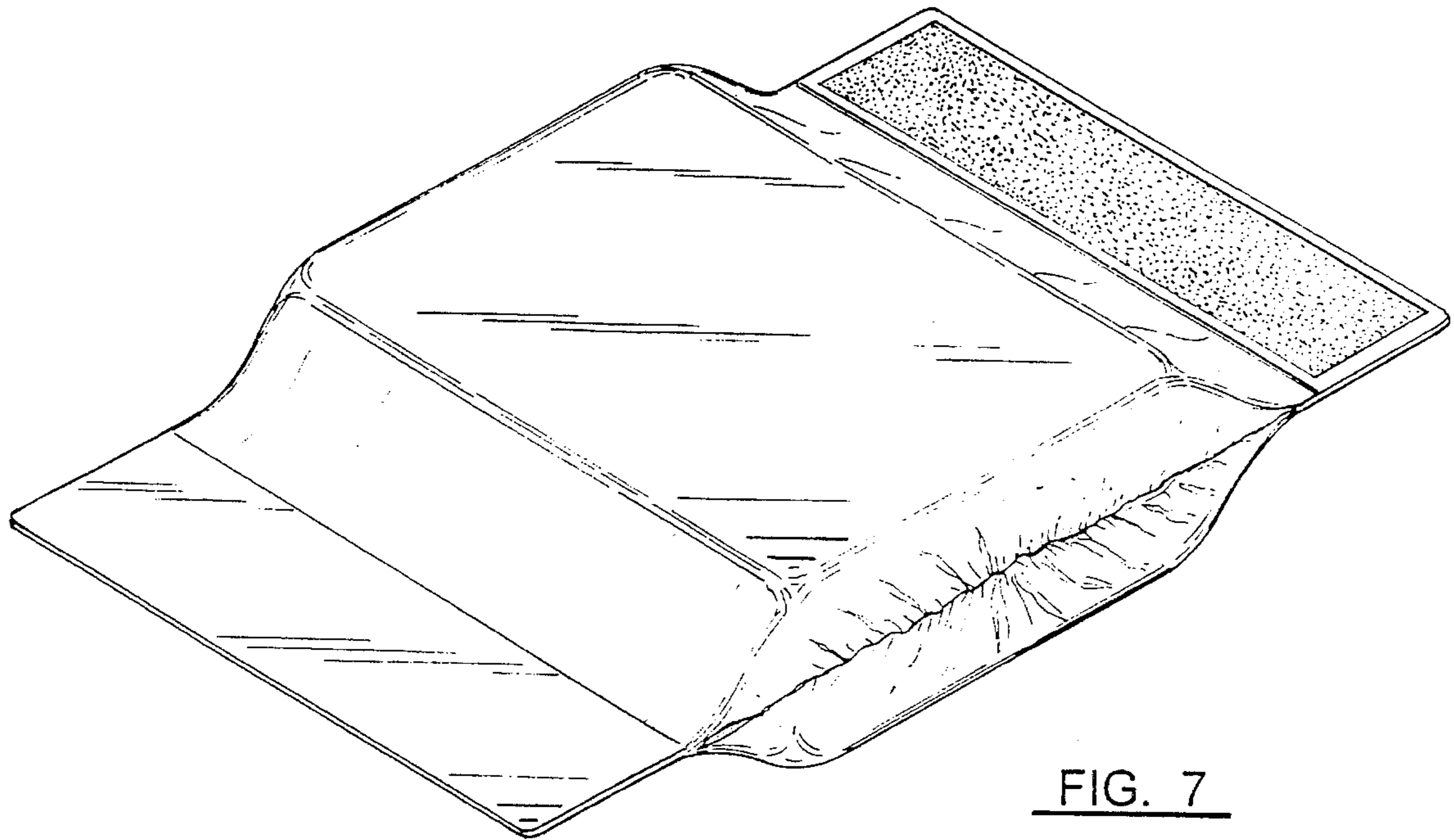


FIG. 7