



US00D369928S

United States Patent [19] Larkin

[11] Patent Number: **Des. 369,928**

[45] Date of Patent: ****May 21, 1996**

[54] CHAIR BASE

[75] Inventor: **Robert F. Larkin**, High Point, N.C.

[73] Assignee: **Miller Desk, Inc.**, High Point, N.C.

[**] Term: **14 Years**

[21] Appl. No.: **24,300**

[22] Filed: **Jun. 13, 1994**

[52] U.S. Cl. **D6/498**

[58] Field of Search D6/495-499, 487,
D6/366; 248/188.1, 188.7, 188.8, 188.9

[56] **References Cited**

U.S. PATENT DOCUMENTS

D. 247,463	3/1978	Muller-Deisig	D6/366
D. 260,216	8/1981	Buhk	D6/498
D. 276,396	11/1984	Locher	D6/498
D. 282,221	1/1986	Platner	D6/366
D. 313,703	1/1991	Moschini et al.	D6/366

D. 322,363	12/1991	Narita	D6/366
D. 326,370	5/1992	Buchacz	D6/366
D. 344,190	2/1994	Fulcheri	D6/366
D. 353,718	12/1994	Olson	D6/366
D. 363,843	11/1995	Larkin	D6/498

Primary Examiner—Janice E. Seeger
Attorney, Agent, or Firm—Brian D. Voyce

[57] CLAIM

The ornamental design for a chair base, as shown and described.

DESCRIPTION

FIG. 1 is a perspective view of a chair base, showing my new design;

FIG. 2 is a side elevational view; and,

FIG. 3 is a top plan view of thereof.

The bottom of the article is plain and unornamented.

1 Claim, 2 Drawing Sheets

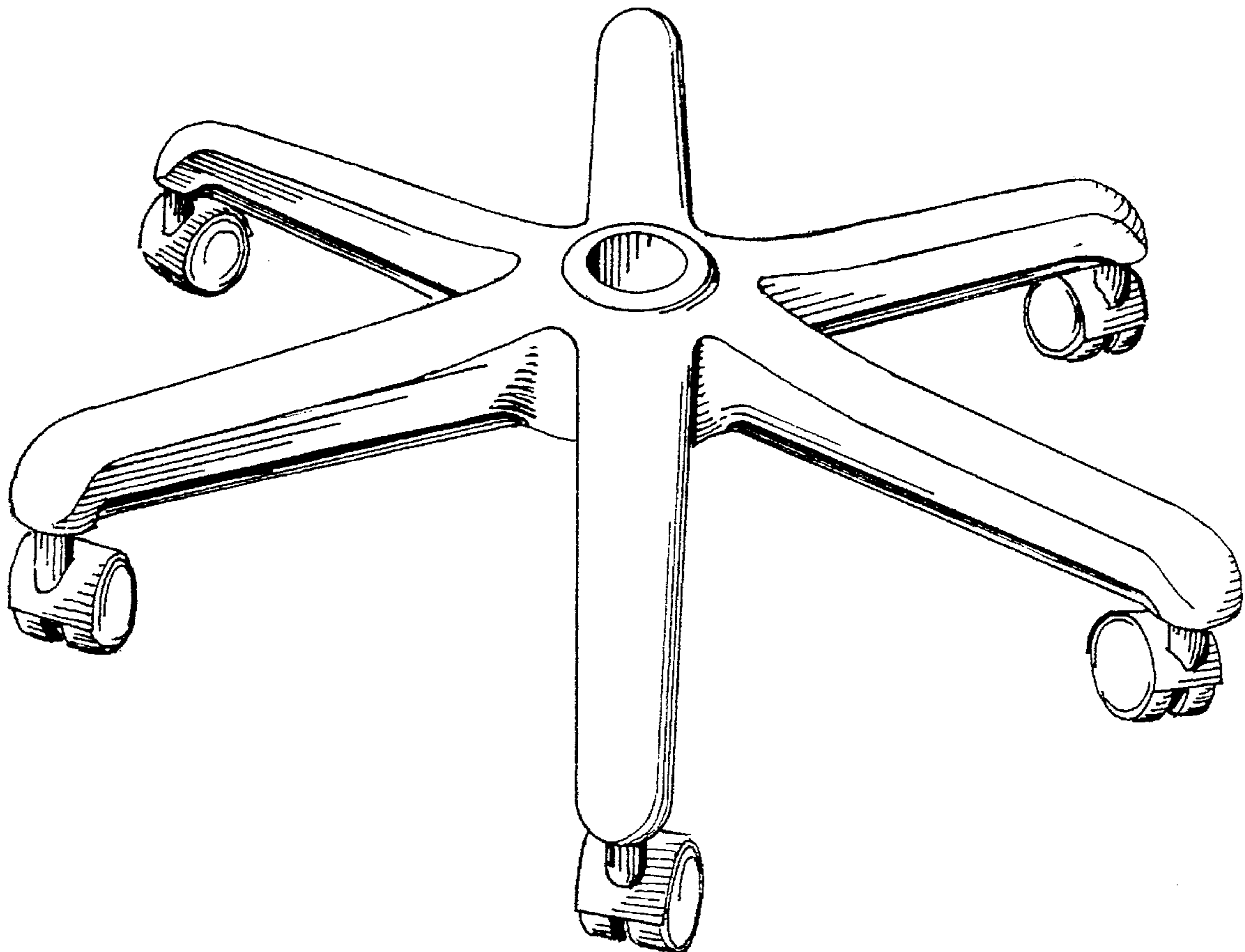


FIGURE 1

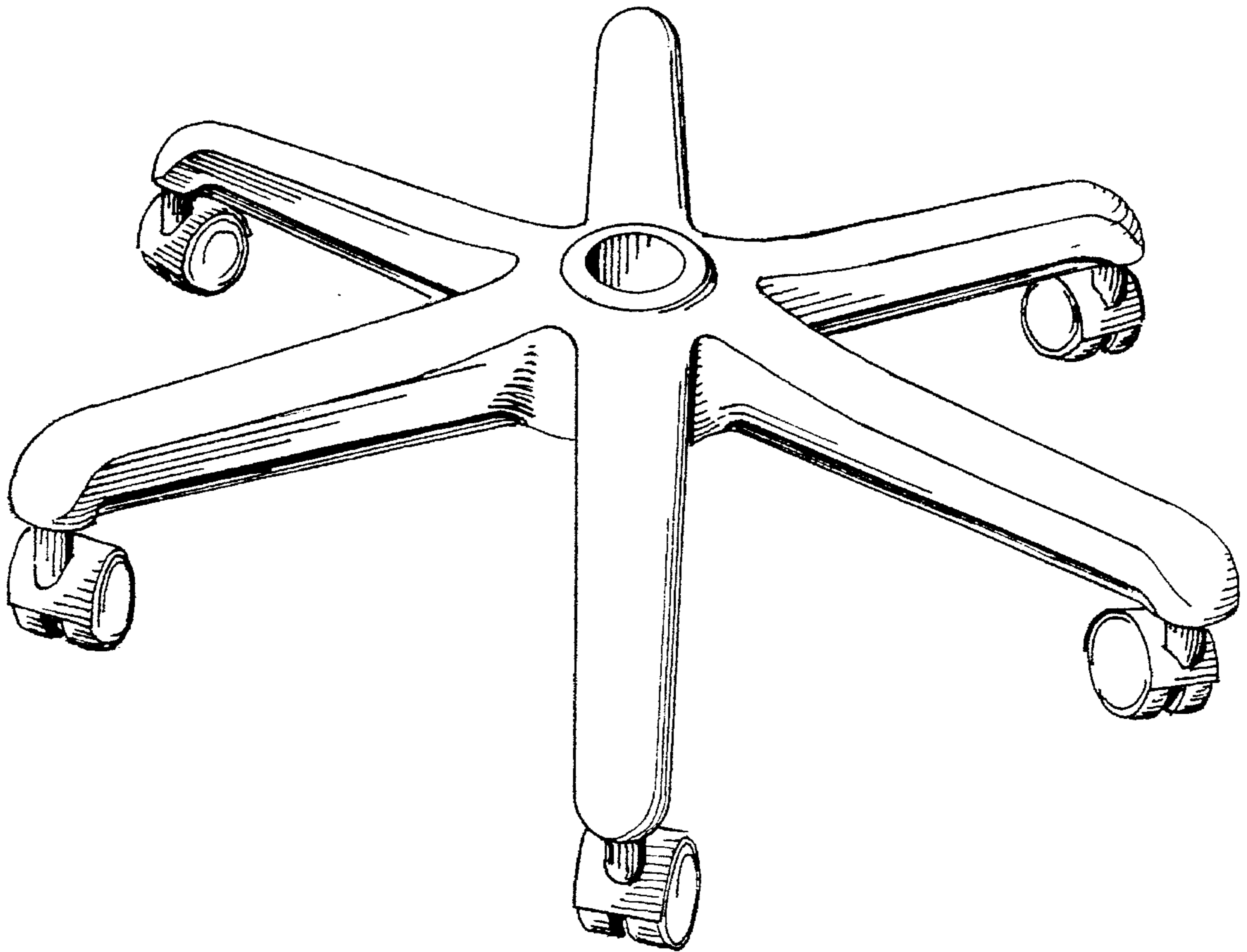


FIGURE 2

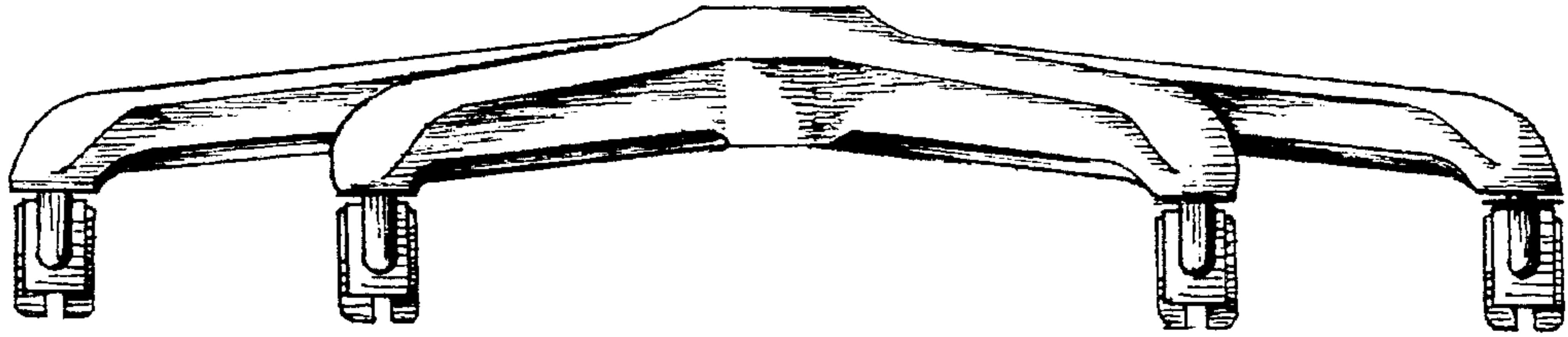


FIGURE 3

