



US00D369926S

United States Patent [19]
Keller

[11] **Patent Number: Des. 369,926**

[45] **Date of Patent: **May 21, 1996**

[54] **TABLE**

D. 317,538 6/1991 Wilson D6/495
D. 344,865 3/1994 Ferguson D6/451

[75] Inventor: **Thomas H. Keller**, High Point, N.C.

OTHER PUBLICATIONS

[73] Assignee: **Bernhardt Furniture Company**,
Lenoir, N.C.

Furniture Today, Apr. 10, 1989, p. 152, table at top right.
Furniture Today, Apr. 10, 1989, p. 135 table at lower left.
Progressive, c1992, #1170, table at top right.
Progressive, c1991, #1239, table at top right.

[**] Term: **14 Years**

Primary Examiner—Janice E. Seeger
Attorney, Agent, or Firm—Rhodes, Coats & Bennett

[21] Appl. No.: **42,600**

[22] Filed: **Aug. 14, 1995**

[52] **U.S. Cl.** **D6/480; D6/451; D6/488**

[57] **CLAIM**

[58] **Field of Search** D6/480-489, 495,
D6/497, 499, 452; 108/153, 157, 161

The ornamental design for a table, as shown and described.

DESCRIPTION

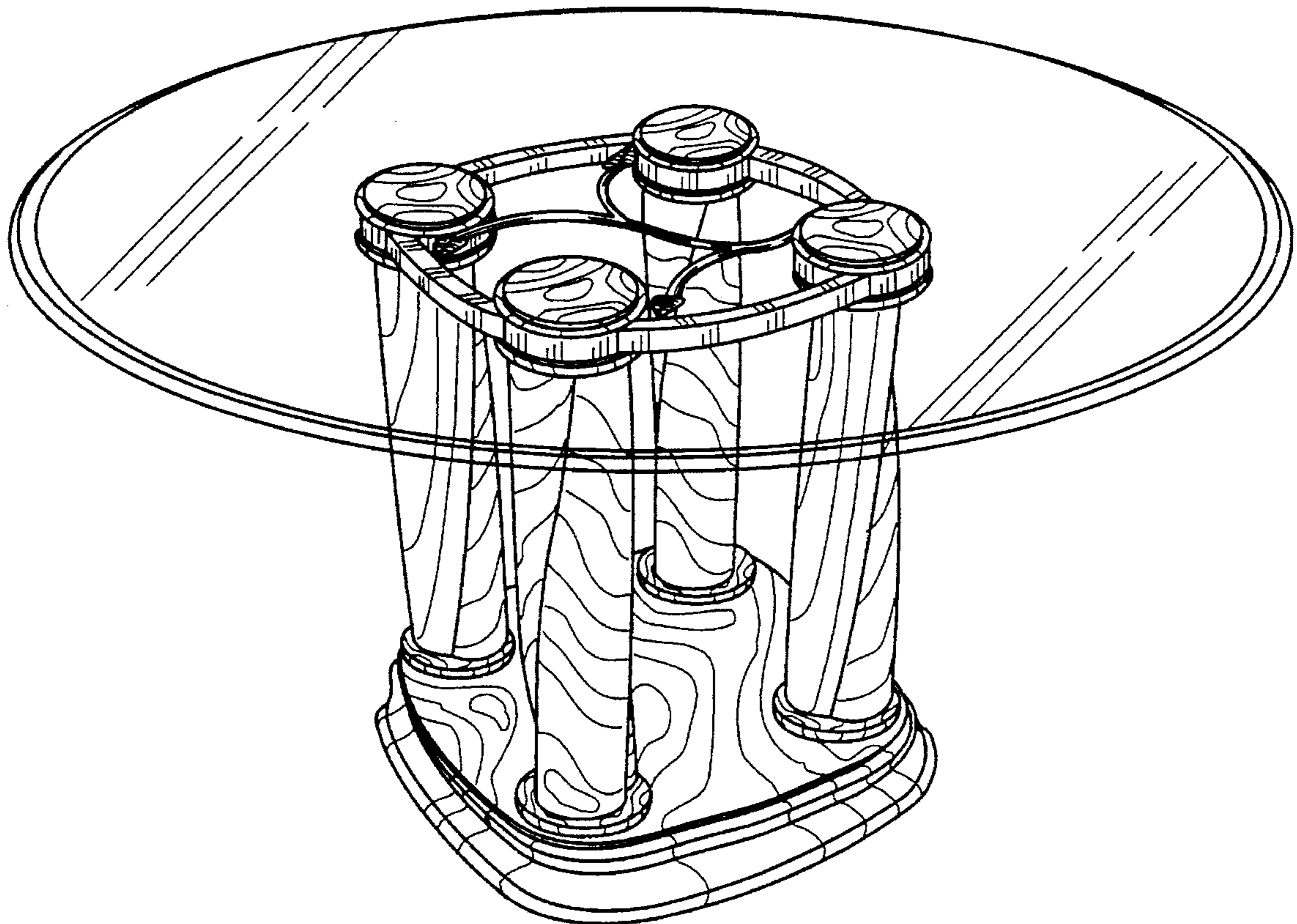
[56] **References Cited**

U.S. PATENT DOCUMENTS

22,465 5/1893 Malloy .
22,518 6/1893 Boller .
D. 125,589 10/1940 Little et al. .
D. 249,856 10/1978 Levell D6/148
D. 296,635 7/1988 Kelley D6/495
D. 297,990 10/1988 Kelley et al. D6/484

FIG. 1 is a front perspective view of a table showing my new design;
FIG. 2 is a side elevational view thereof;
FIG. 3 is a side elevational view opposite that as shown in FIG. 2; and,
FIG. 4 is a top plan view thereof.

1 Claim, 3 Drawing Sheets



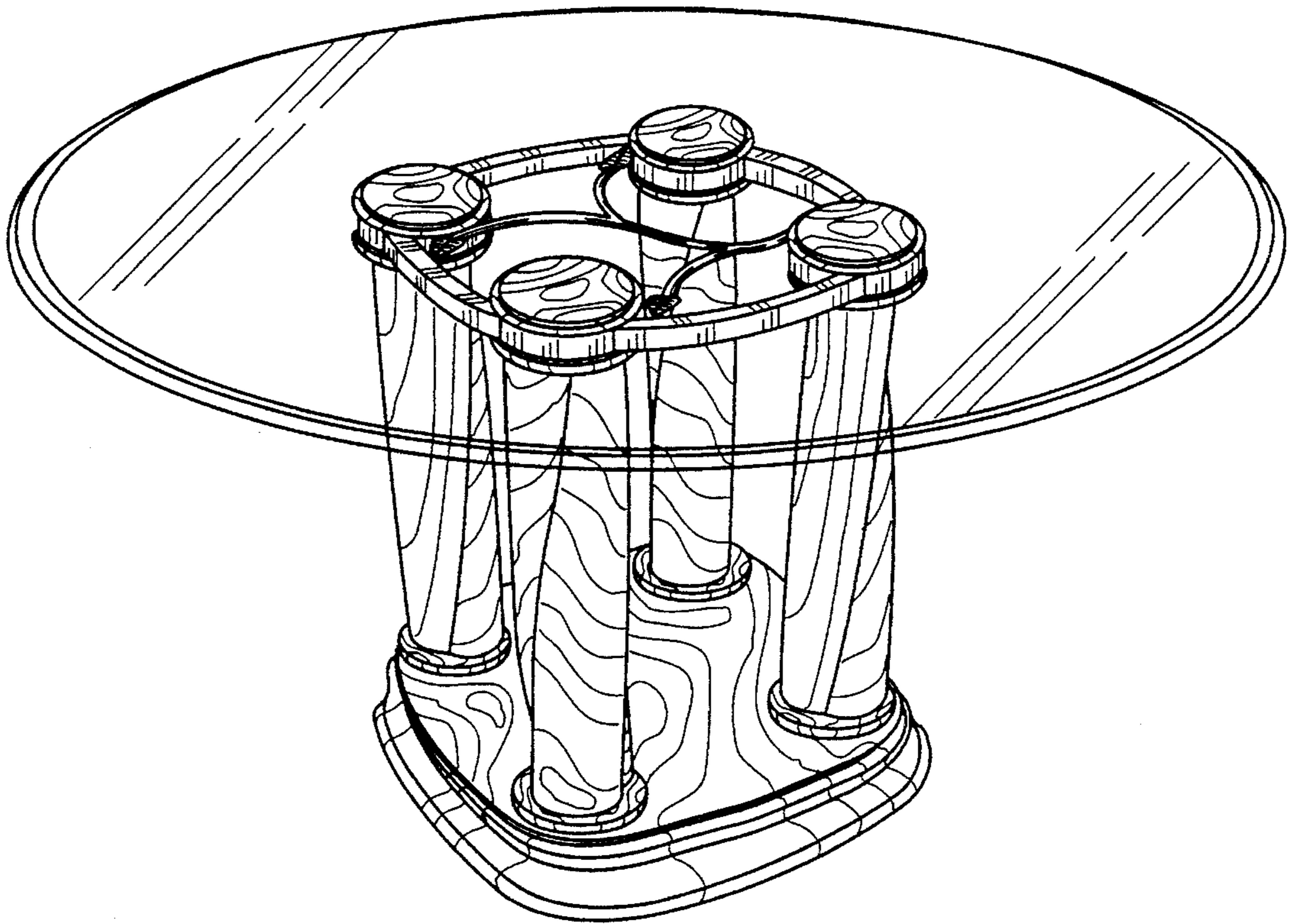


FIG. 1

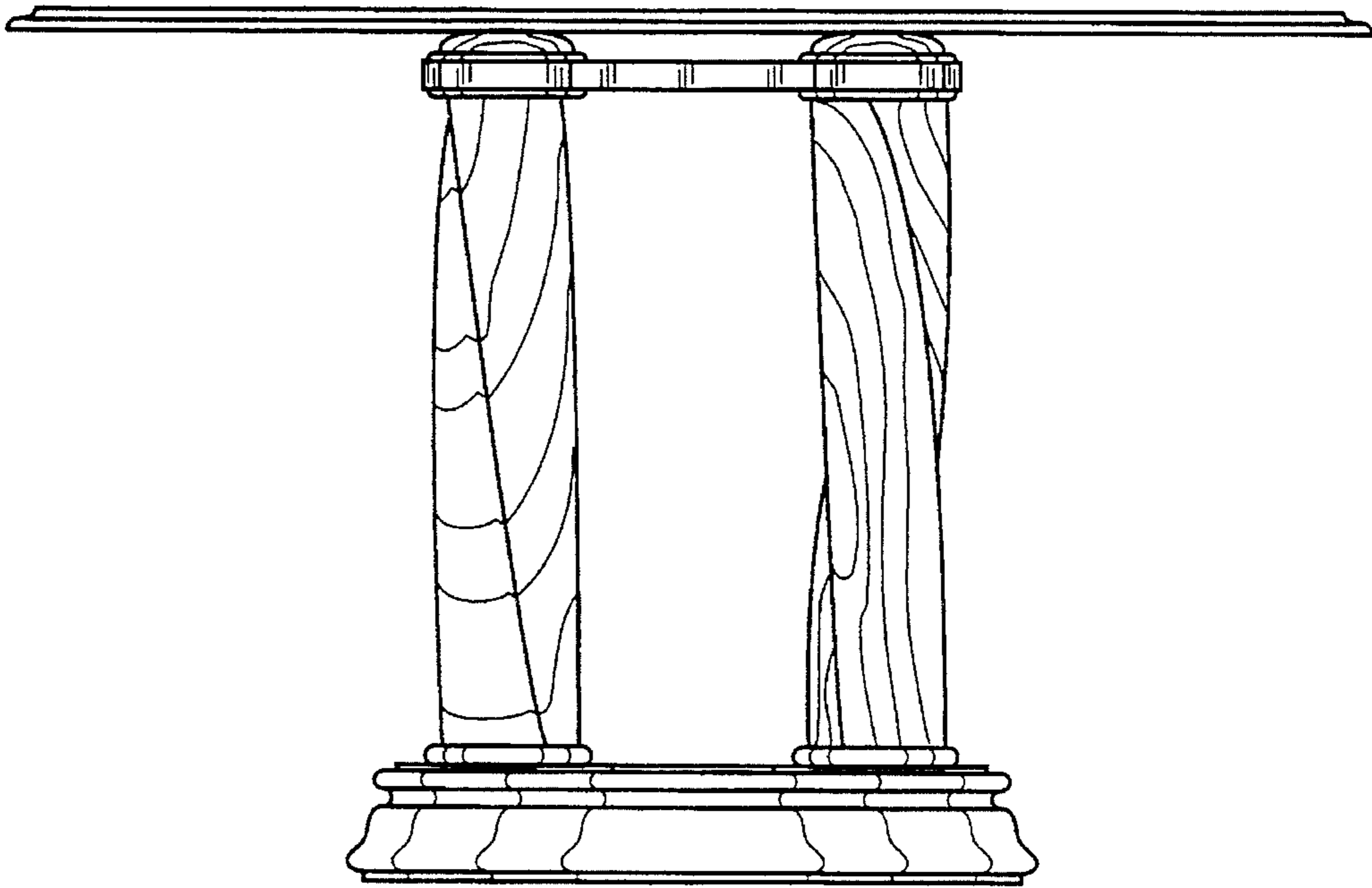


FIG. 2

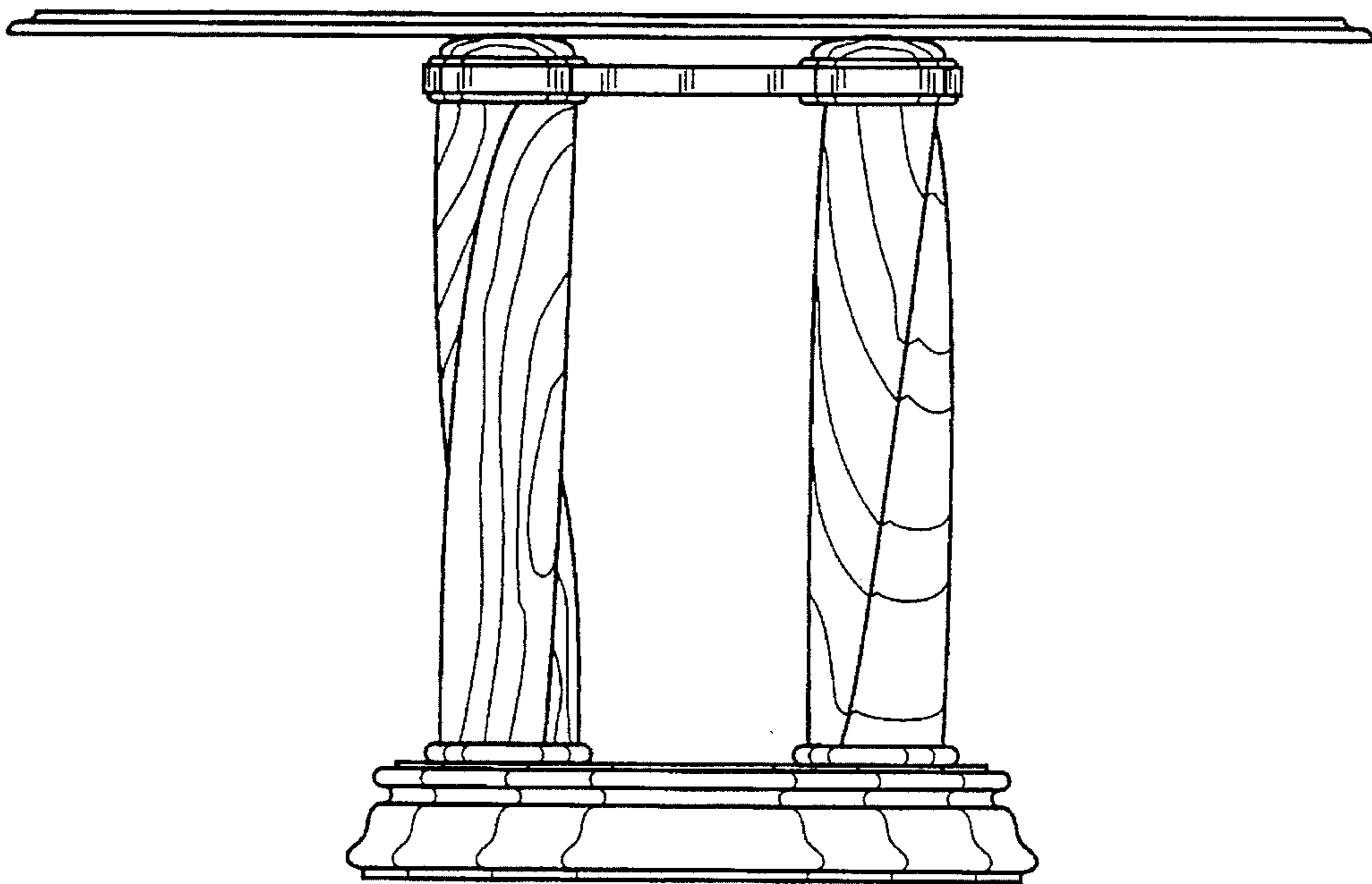


FIG. 3

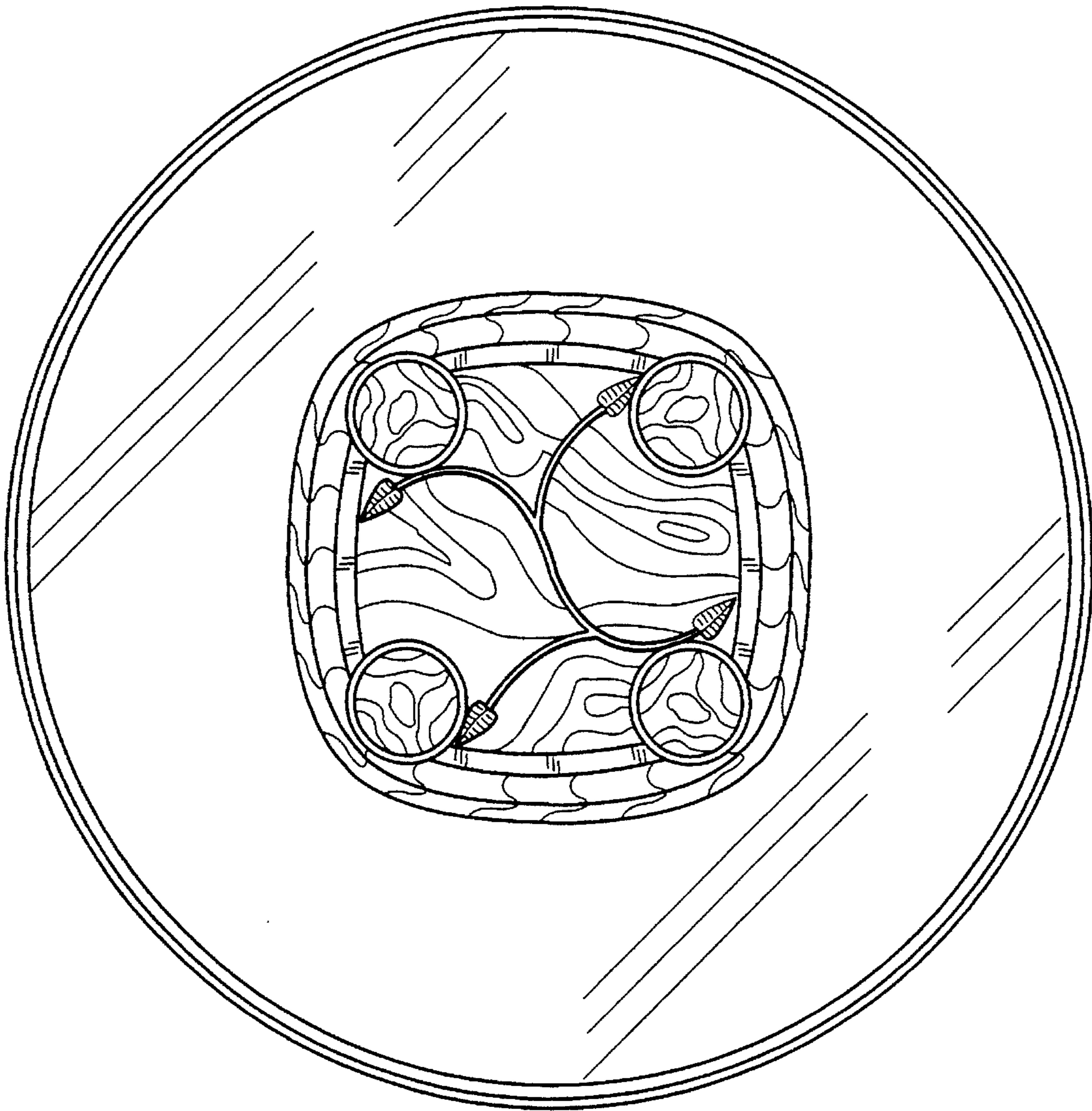


FIG. 4