



US00D369925S

United States Patent [19]
Keller

[11] **Patent Number: Des. 369,925**

[45] **Date of Patent: **May 21, 1996**

[54] **COCKTAIL TABLE**

D. 357,831 5/1995 Yeh D6/487
D. 358,078 5/1995 Klein D6/480

[75] Inventor: **H. Thomas Keller**, High Point, N.C.

OTHER PUBLICATIONS

[73] Assignee: **Bernhardt Furniture Company**,
Lehoir, N.C.

Progressive, c1993, #1150-95 table in front.
Progressive, c1991, #1180-70 table in front.
Marlo Main Event, Jun. 27, 1992, table at bottom.
Progressive, c1993, #1220-01 table in front.

[**] Term: **14 Years**

Primary Examiner—Janice E. Seeger
Attorney, Agent, or Firm—Rhodes, Coats & Bennett

[21] Appl. No.: **42,583**

[22] Filed: **Aug. 14, 1995**

[52] U.S. Cl. **D6/480; D6/451**

[57] **CLAIM**

[58] **Field of Search** D6/480-489, 495,
D6/497, 499, 452; 108/153, 157, 161

The ornamental design for cocktail table, as shown and described.

[56] **References Cited**

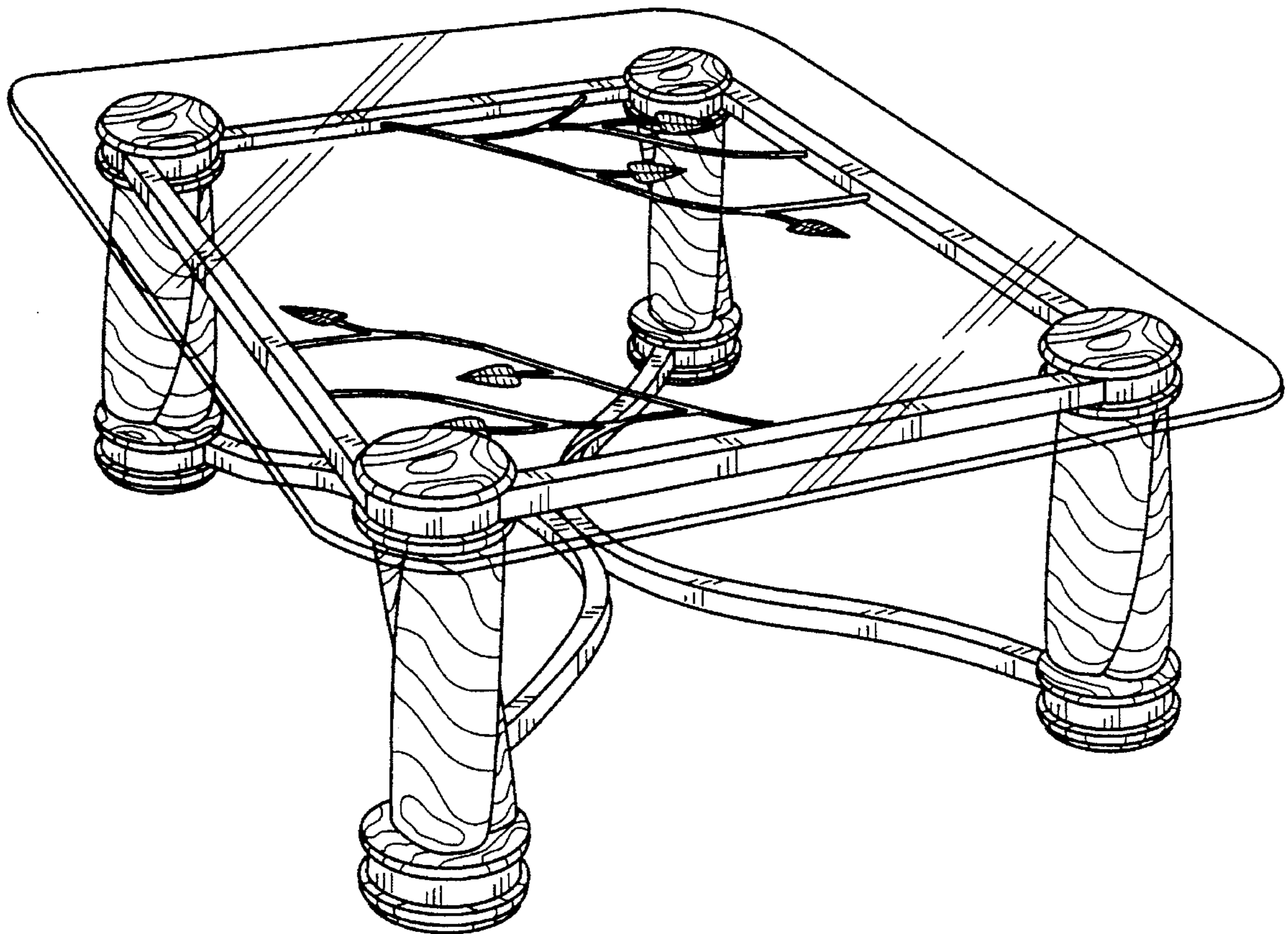
DESCRIPTION

U.S. PATENT DOCUMENTS

22,465	5/1893	Malloy .	
22,518	6/1893	Boller .	
125,589	10/1940	Little et al. .	
D. 247,557	3/1978	Hemmy	D11/184
D. 279,633	7/1985	Bromley	D6/480
D. 296,635	7/1988	Kelly et al.	D6/495
D. 297,990	10/1988	Kelly et al.	D6/484
D. 317,538	6/1991	Wilson	D6/495
D. 344,865	3/1994	Ferguson	D6/451

FIG. 1 is a front perspective view of a cocktail table showing my new design;
FIG. 2 is a front elevational view thereof, the opposite side elevational view being a mirror image;
FIG. 3 is an end elevational view thereof, the opposite side elevational view being a mirror image; and,
FIG. 4 is a top plan view thereof.

1 Claim, 3 Drawing Sheets



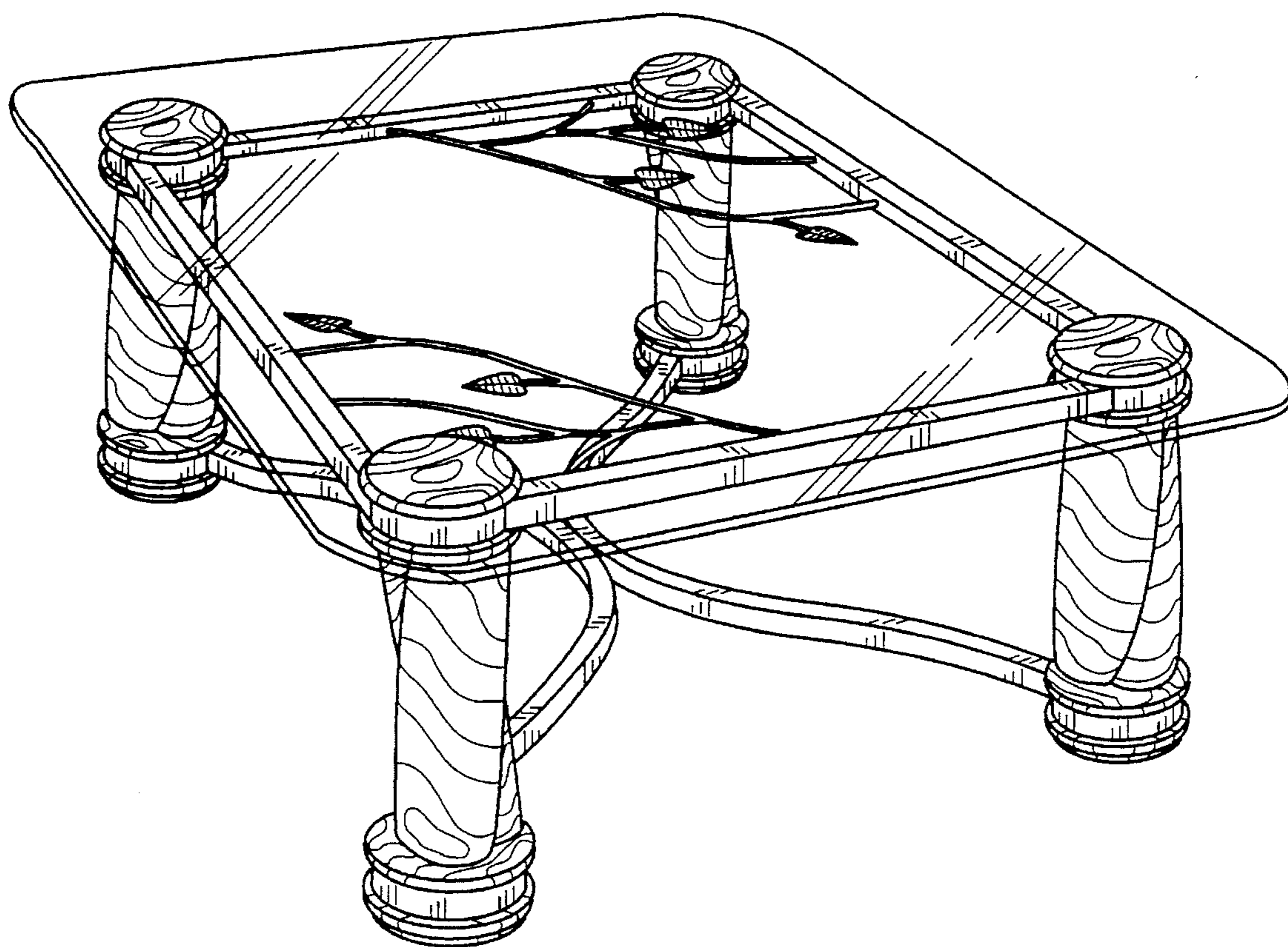


FIG. 1

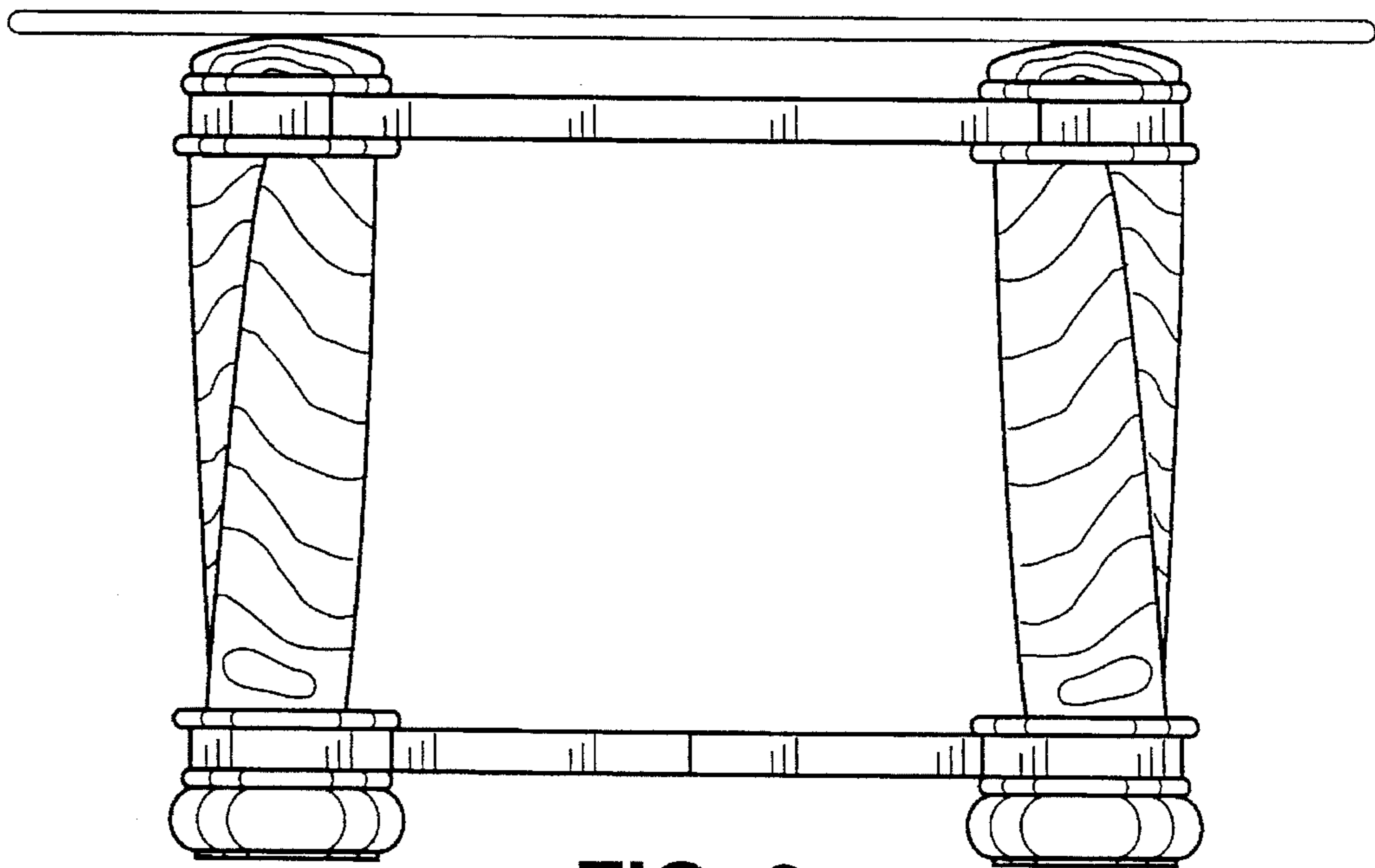


FIG. 2

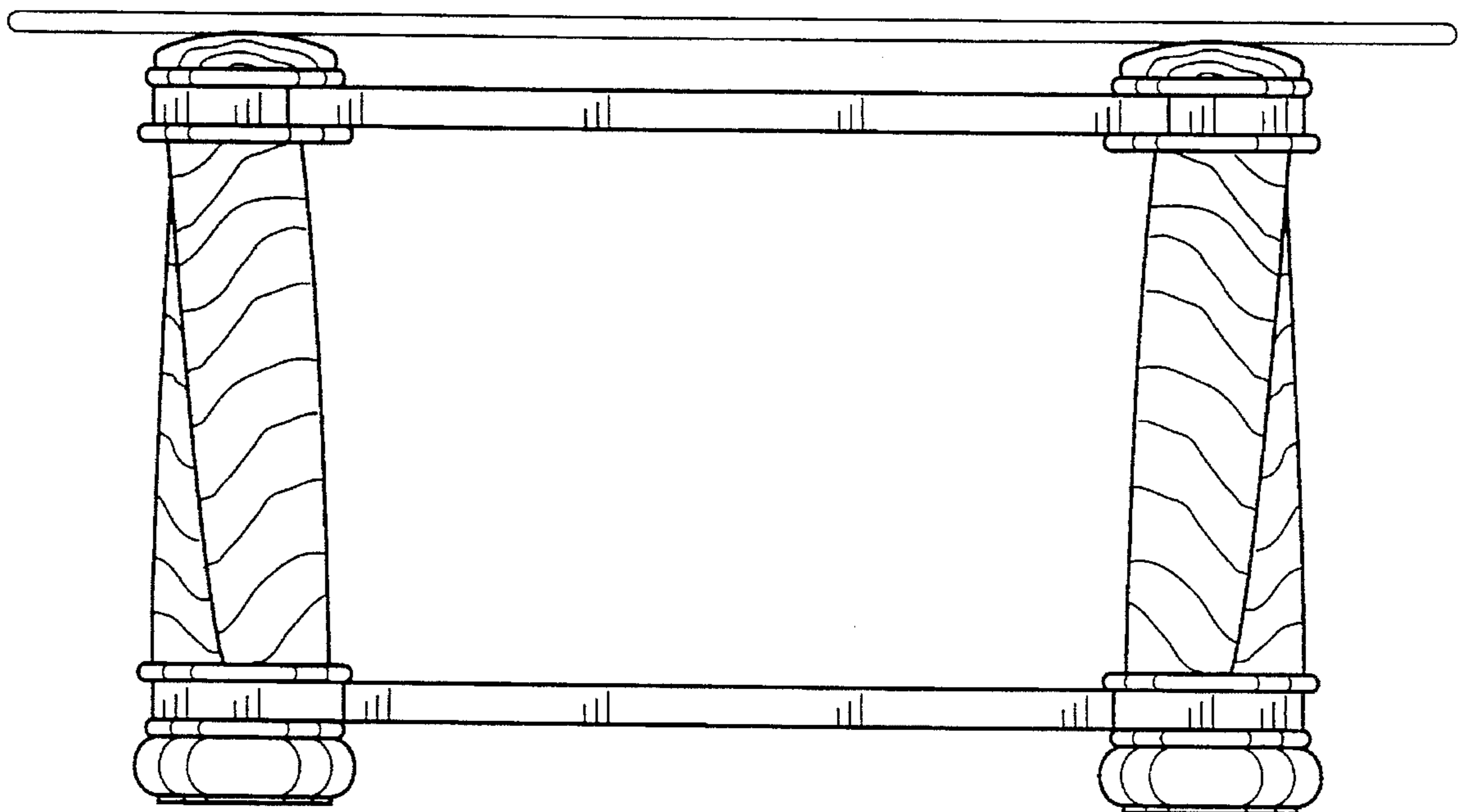


FIG. 3

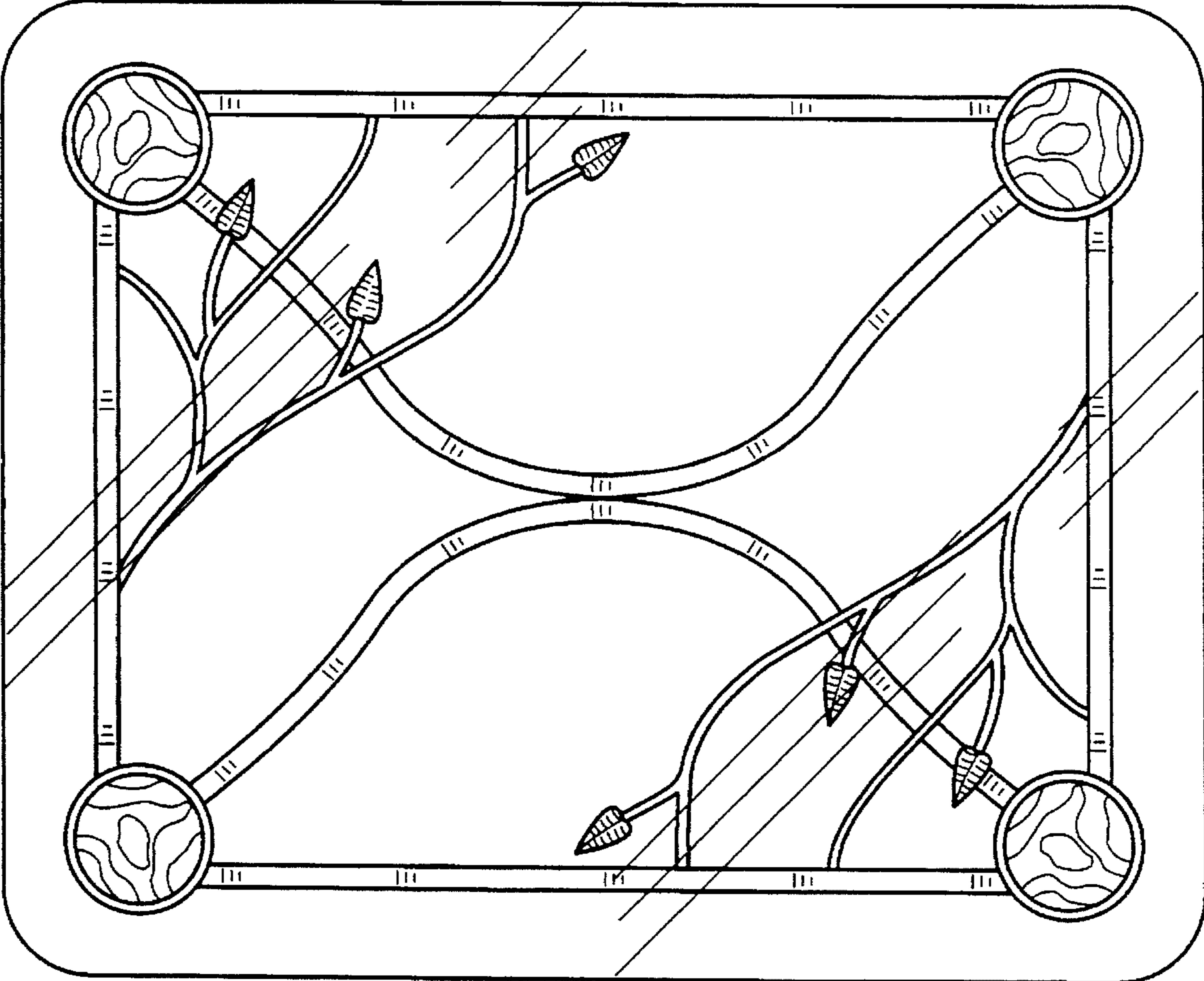


FIG. 4