



US00D369922S

United States Patent [19]

Kirn et al.

[11] Patent Number: **Des. 369,922**

[45] Date of Patent: ****May 21, 1996**

[54] BENCH WITH ARMRESTS

[75] Inventors: **S. Kenneth Kirn**, Vancouver, Wash.;
Michael B. Fox, Aloha, Oreg.

[73] Assignee: **Columbia Cascade Company**,
Portland, Oreg.

[**] Term: **14 Years**

[21] Appl. No.: **40,519**

[22] Filed: **Jun. 20, 1995**

[52] U.S. Cl. **D6/381; D6/370; D6/379**

[58] Field of Search **D6/334, 370, 371,
D6/373, 374, 376, 379, 380, 381, 500,
501, 502; 297/232, 445, 446**

[56] References Cited

U.S. PATENT DOCUMENTS

D. 310,606	9/1990	Keller	D6/380
D. 311,827	11/1990	Yau Kee	D6/379
D. 314,088	1/1991	Yau Kee	D6/379

OTHER PUBLICATIONS

U.S. Seating Products, 31-89, p. 2, Chair #1000 at top left.

Primary Examiner—Gary D. Watson

Attorney, Agent, or Firm—Kolisch, Hartwell, Dickinson,
McCormack & Heuser

[57] CLAIM

The ornamental design for a bench with armrests, as shown and described.

DESCRIPTION

FIG. 1 is an isometric view of a bench with armrests showing our new design;

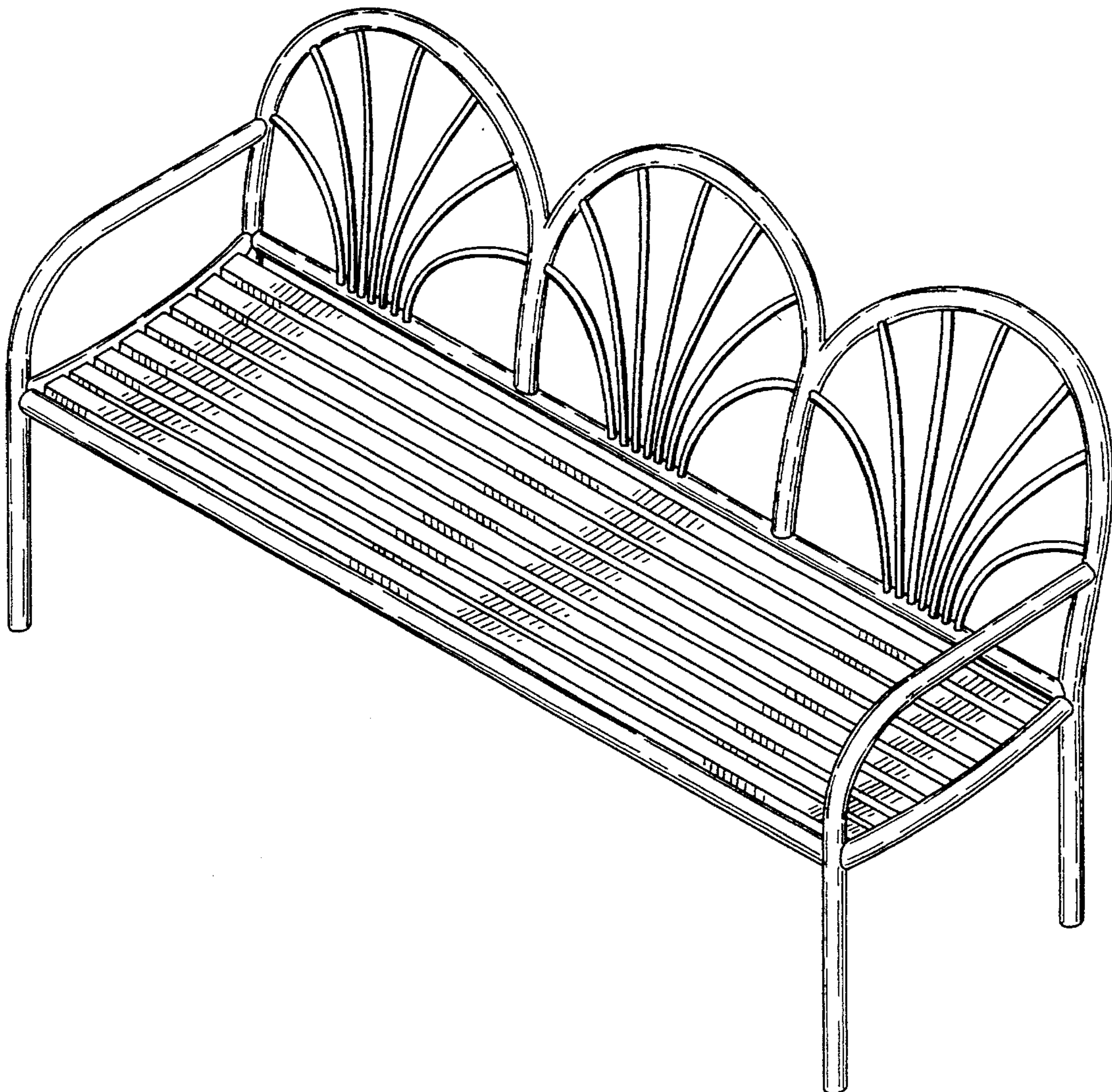
FIG. 2 is a right side elevational view thereof, the left side elevational view being a mirror image of the right side elevational view;

FIG. 3 is a top plan view thereof;

FIG. 4 is a front elevational view thereof; and,

FIG. 5 is a bottom elevational view thereof.

1 Claim, 2 Drawing Sheets



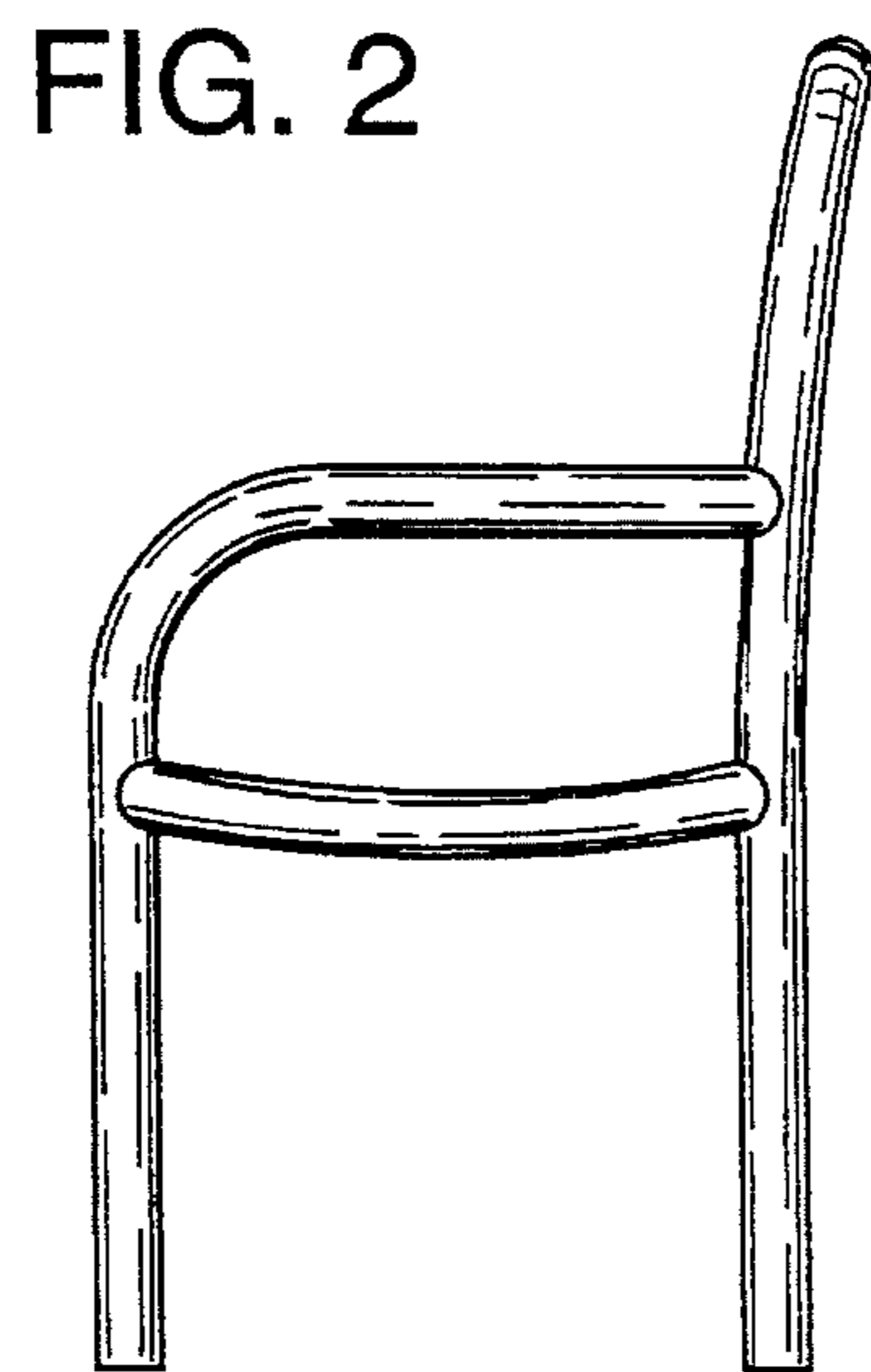
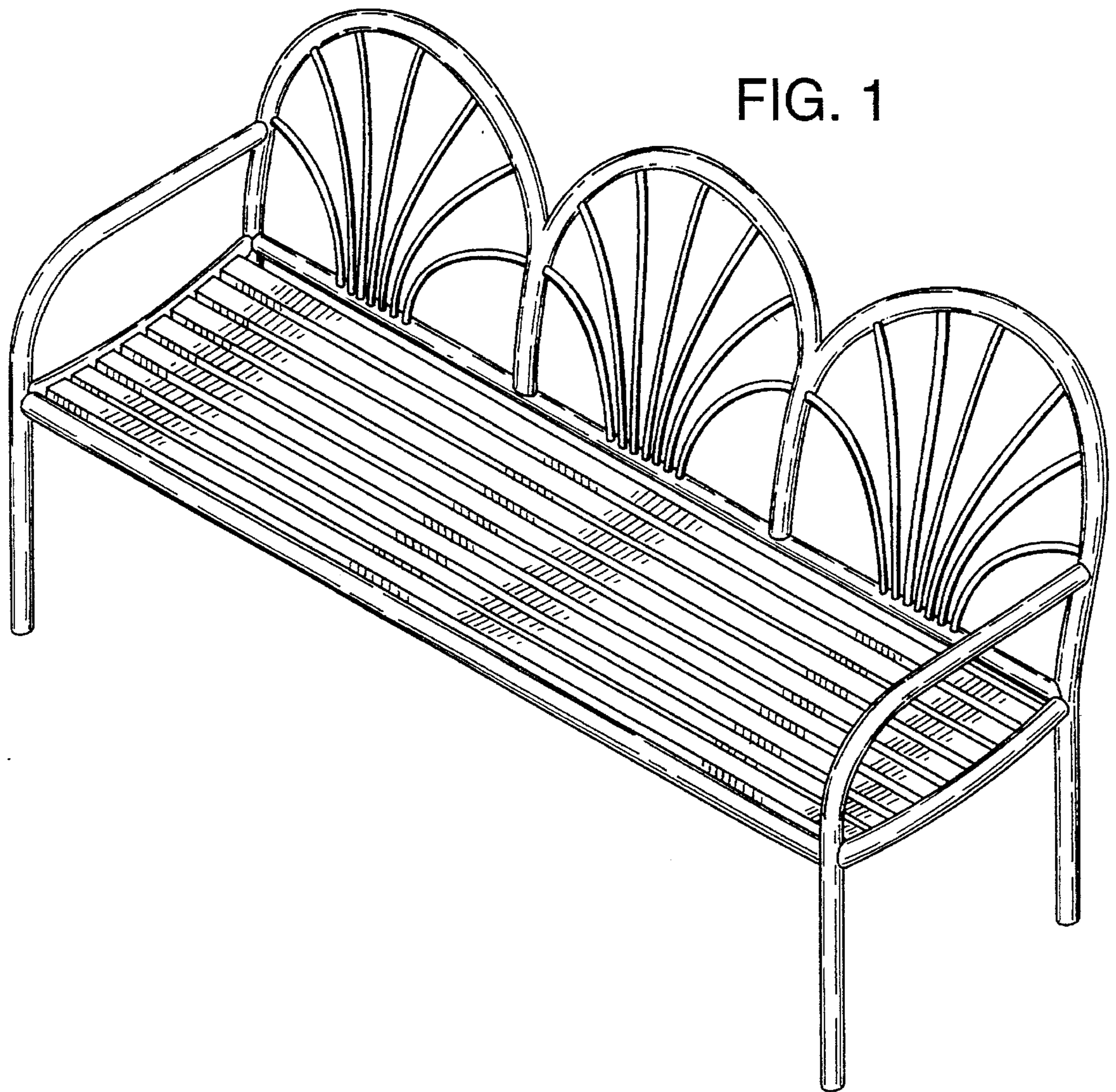


FIG. 3

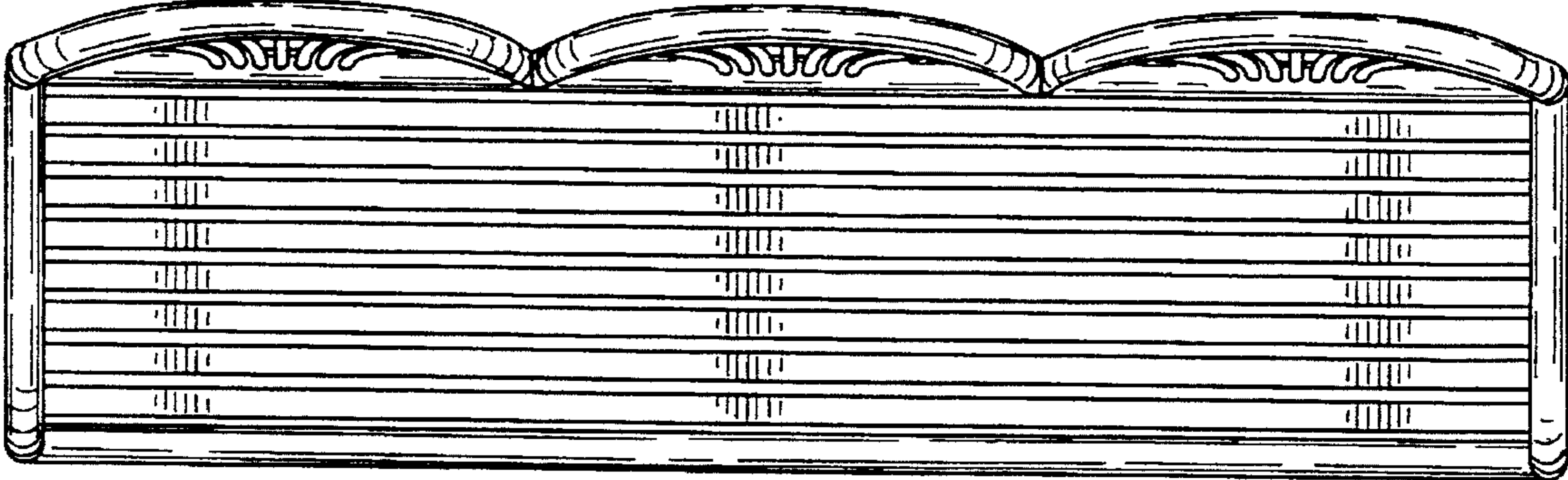


FIG. 4

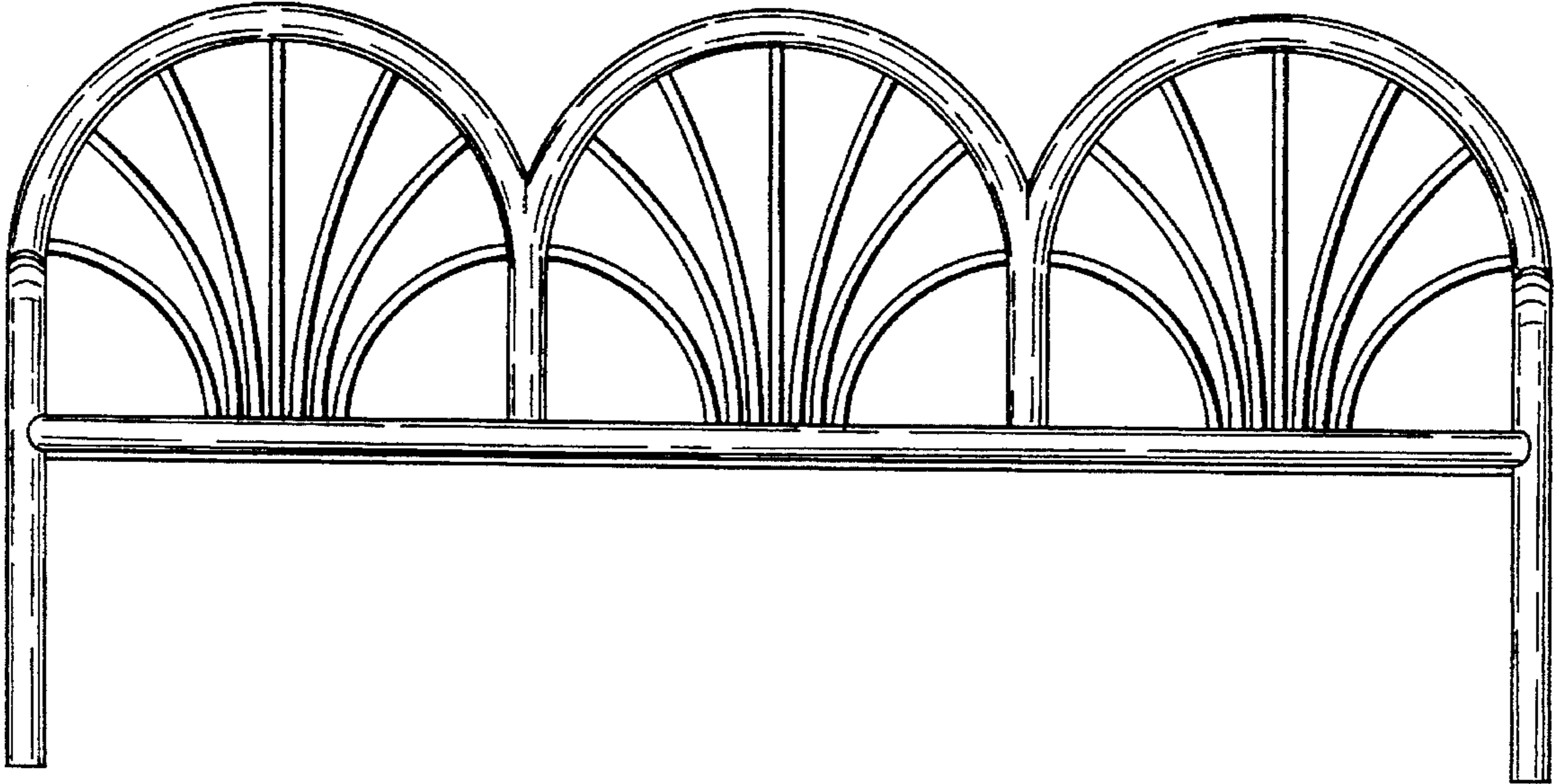


FIG. 5

