



US00D369917S

United States Patent [19]

Beaulieu

[11] Patent Number: **Des. 369,917**

[45] Date of Patent: ****May 21, 1996**

[54] **CHAIR**

[75] Inventor: **Jocelyn Beaulieu**, Newmarket, Canada

[73] Assignee: **Global Upholstery Company**,
Downsview, Canada

[**] Term: **14 Years**

[21] Appl. No.: **40,787**

[22] Filed: **Jul. 27, 1995**

[30] **Foreign Application Priority Data**

Apr. 18, 1995 [CA] Canada 1995-0824

[52] **U.S. Cl.** **D6/366**

[58] **Field of Search** D6/334, 365, 366,
D6/367, 379, 500, 501, 502; 297/411.2,
411.44

[56] **References Cited**

U.S. PATENT DOCUMENTS

D. 291,160	8/1987	Biscoe	D6/366
D. 309,383	7/1990	Muller Deisig et al.	D6/366
D. 319,739	9/1991	Narita	D6/366
D. 348,570	7/1994	Scheper et al.	D6/366
D. 353,718	12/1994	Olson	D6/366
D. 362,974	10/1995	Olson et al.	D6/366

OTHER PUBLICATIONS

Interiors, May 1987, p. 73, Chair at left.

Primary Examiner—Gary D. Watson
Attorney, Agent, or Firm—Bereskin & Parr; Philip Mendes da Costa

[57] **CLAIM**

The ornamental design for a chair, as shown and described.

DESCRIPTION

FIG. 1 is a prospective view from the front and to one side of the chair;

FIG. 2 is a side elevational view of the chair of FIG. 1, the opposite side being a mirror image thereof;

FIG. 3 is a front elevational view of the chair of FIG. 1;

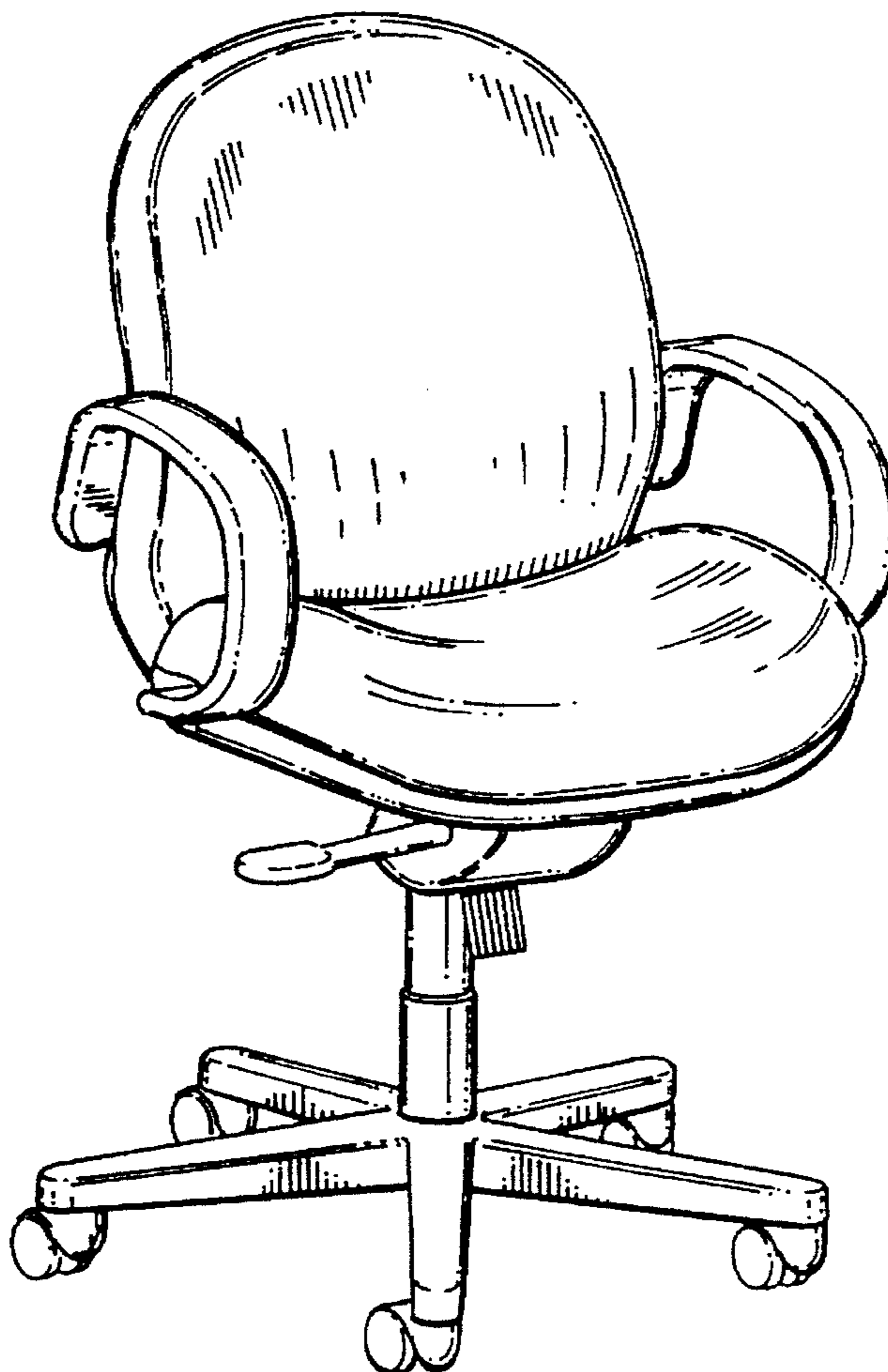
FIG. 4 is a rear elevational view of the chair of FIG. 1;

FIG. 5 is a top plan view of the chair of FIG. 1;

FIG. 6 is a prospective view of a second embodiment of the chair of FIG. 1 wherein alternate arms have been added to the chair; and,

FIG. 7 is a prospective view of a third embodiment of the chair of FIG. 1 wherein alternate arms have been added to the chair.

1 Claim, 3 Drawing Sheets



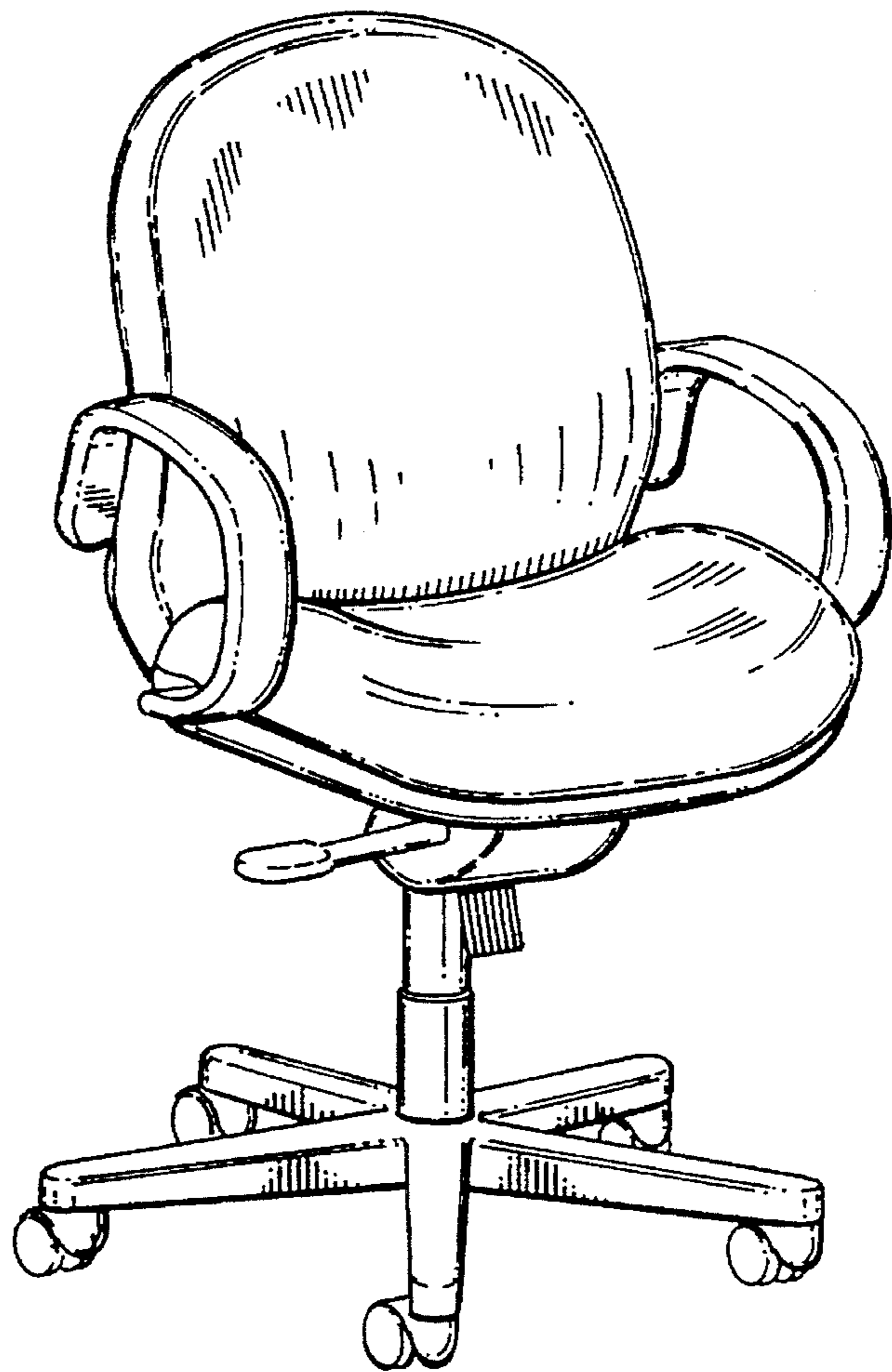


FIG. 1.



FIG. 2.

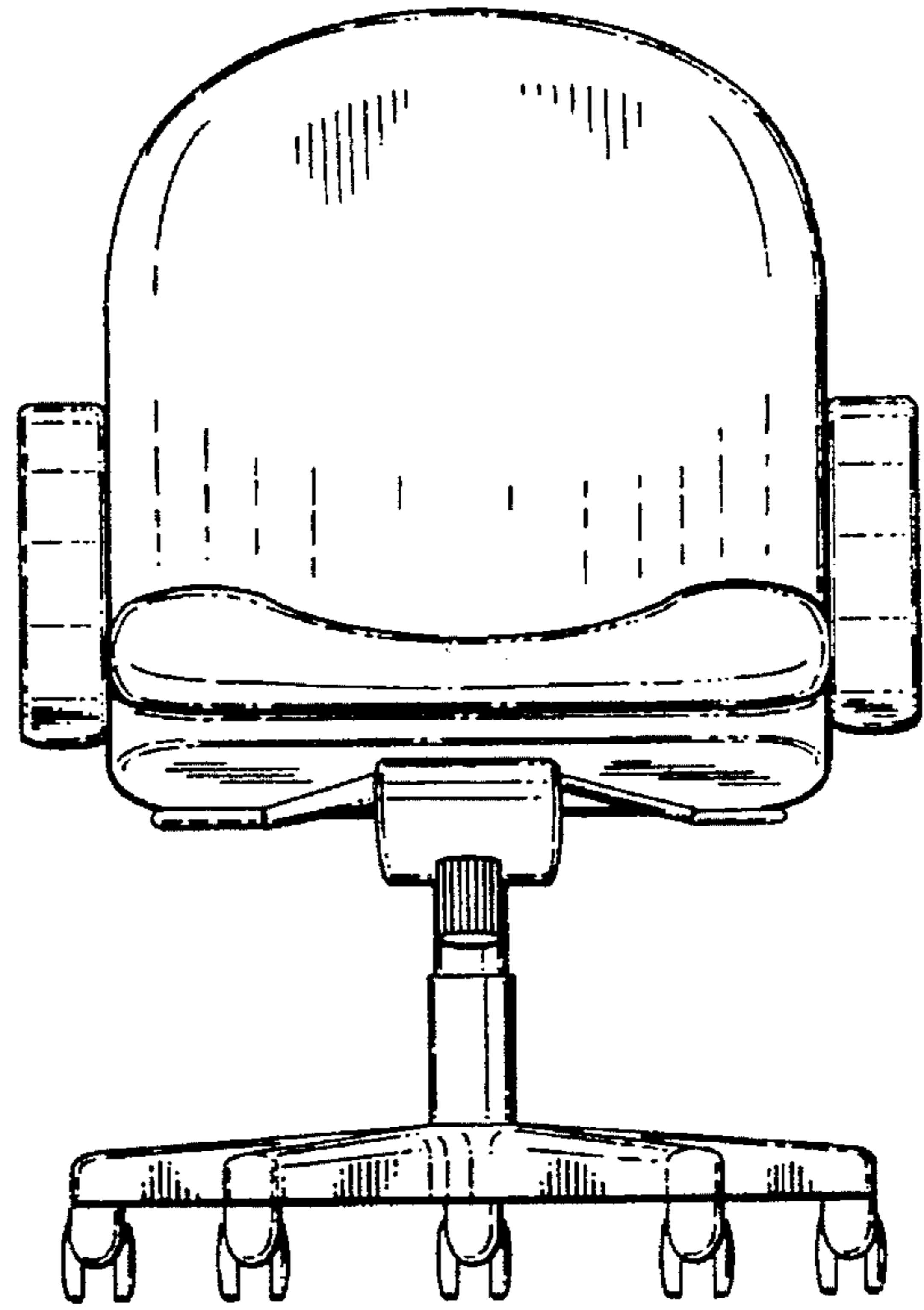


FIG. 3.

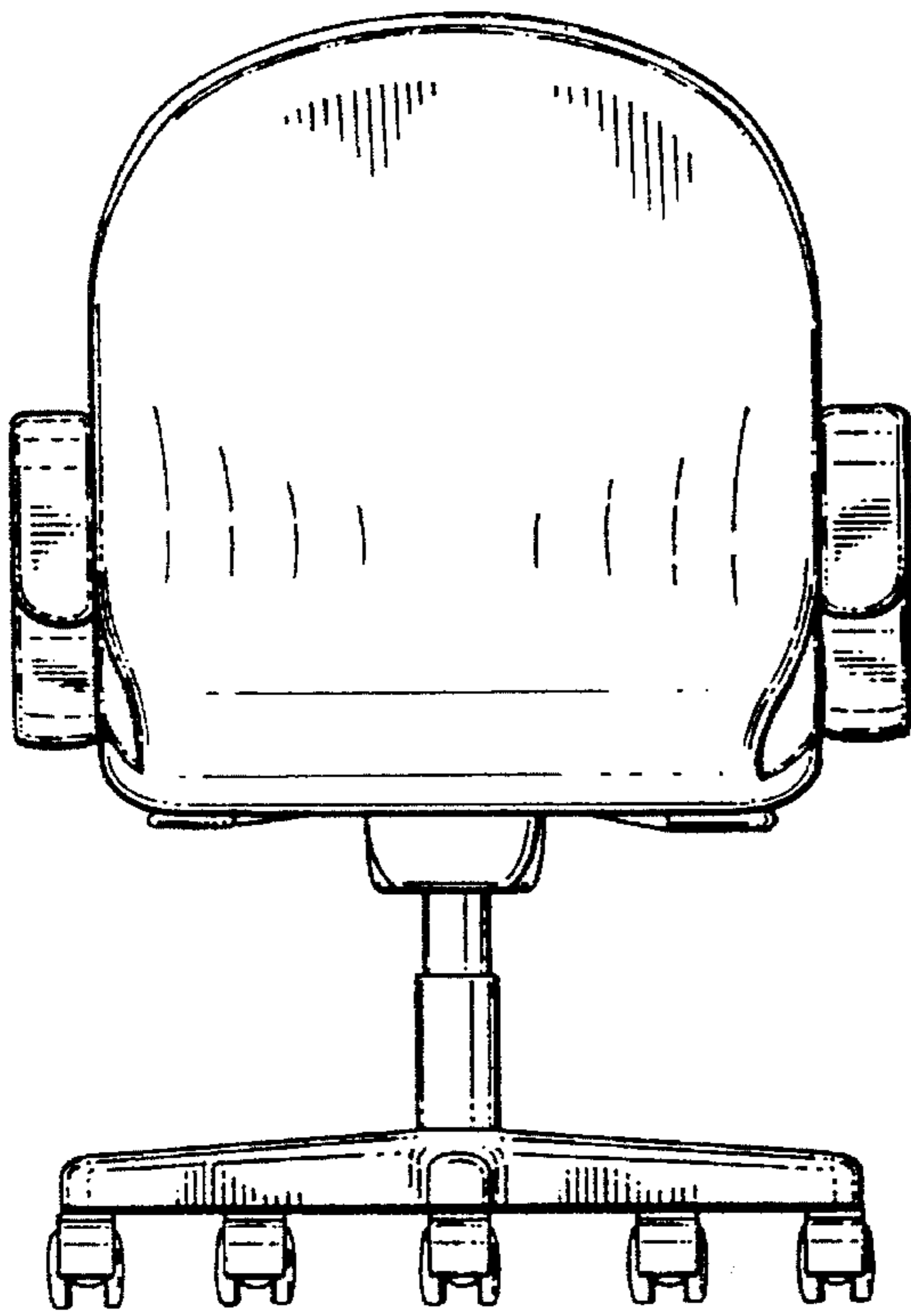


FIG. 4.

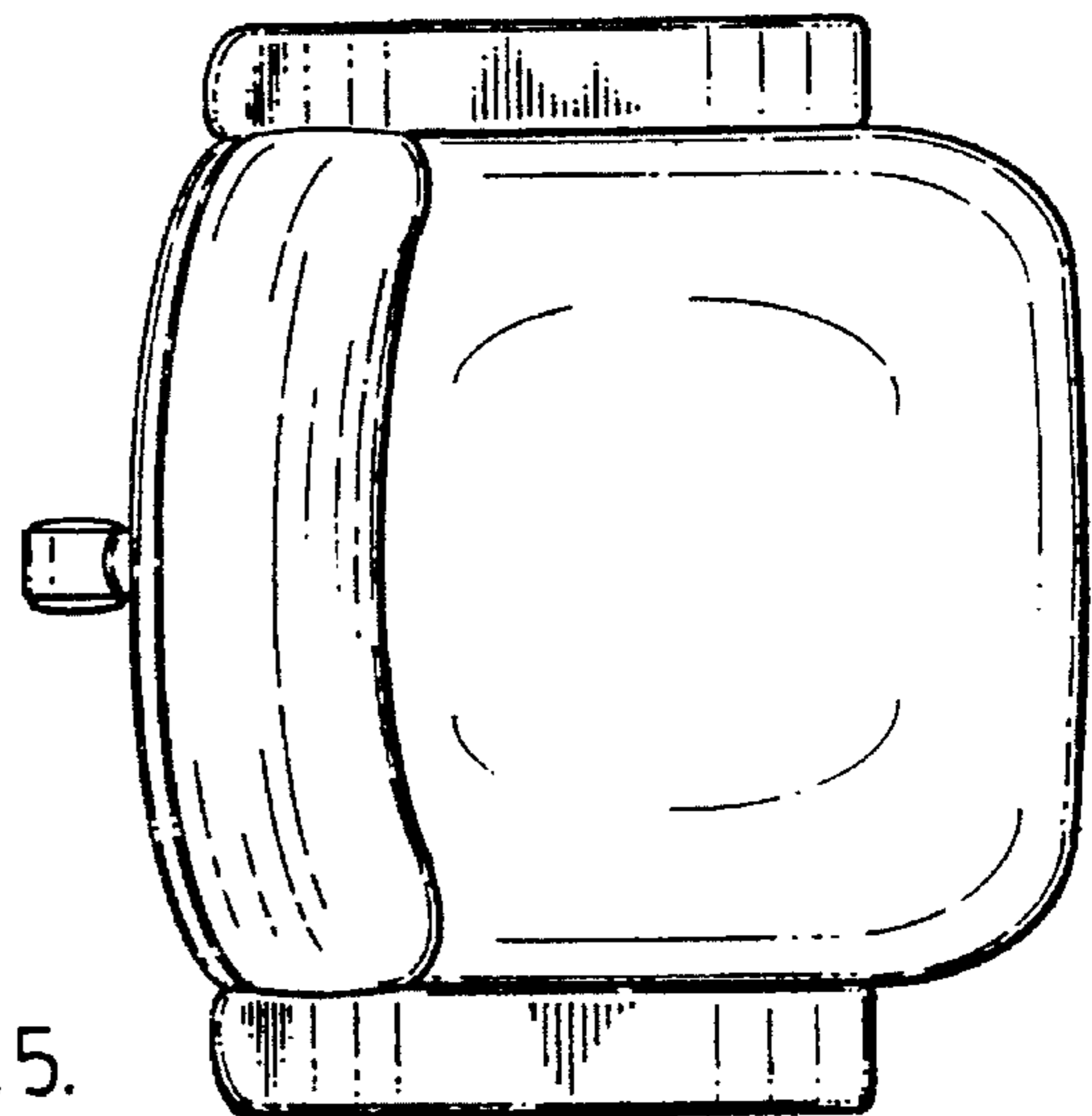


FIG. 5.

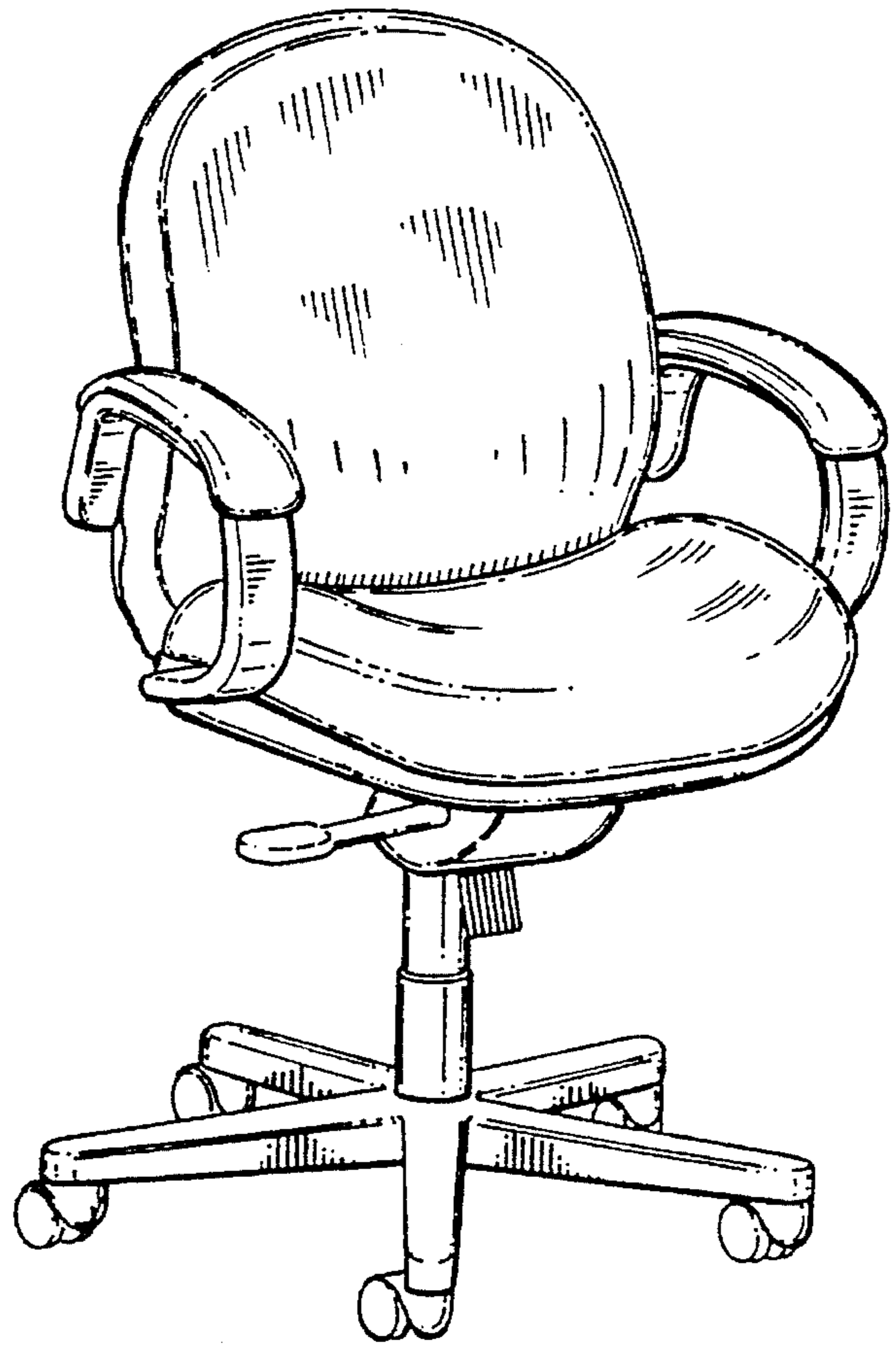


FIG. 6.

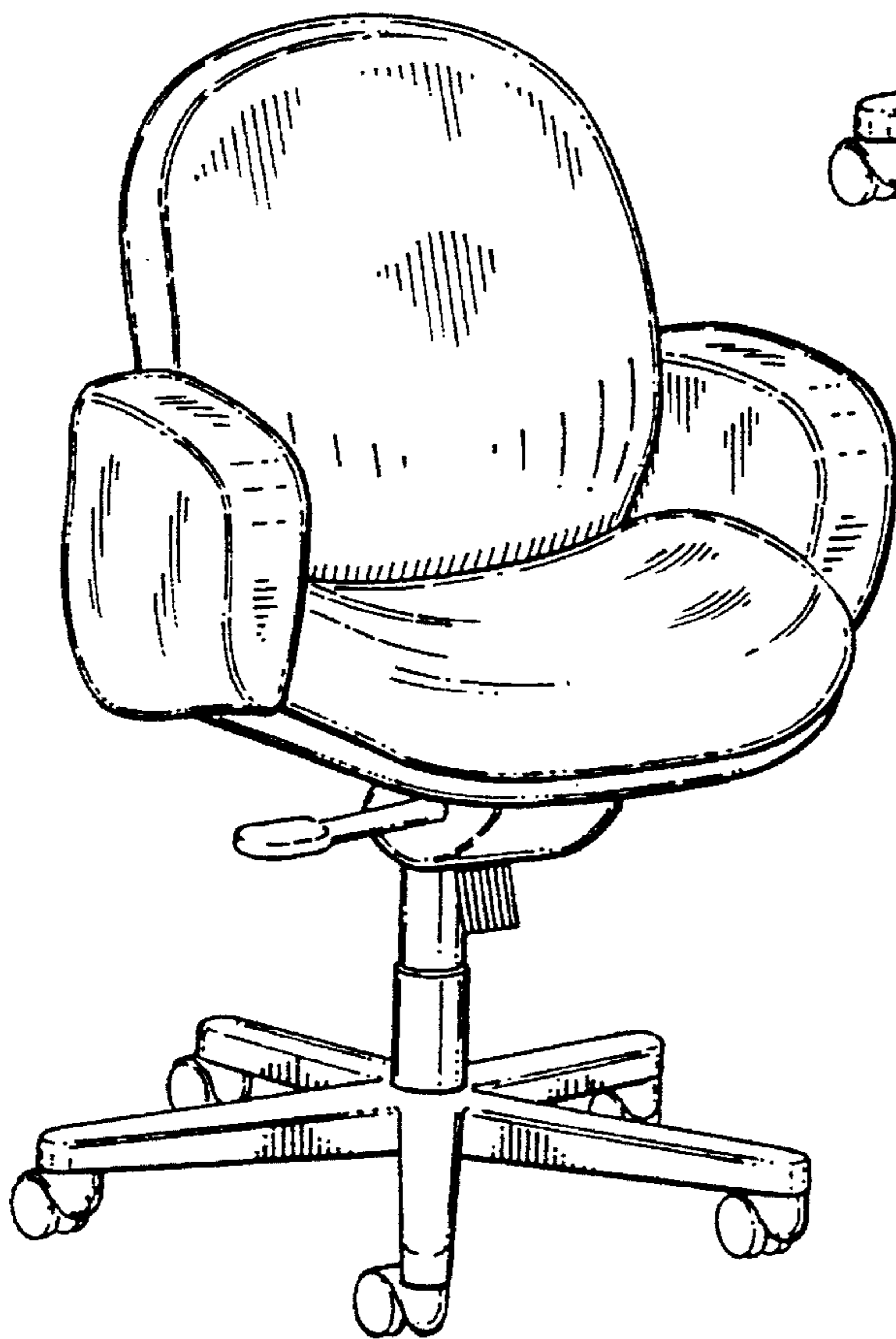


FIG. 7.