



US00D369916S

# United States Patent [19]

[11] Patent Number: **Des. 369,916**

**Lemoine**

[45] Date of Patent: **\*\*May 21, 1996**

[54] **OUTDOOR LAWN CHAIR**

4,140,128 2/1979 Van Der Schaat ..... 128/376  
5,086,769 2/1992 Vianello et al. .... 128/377

[76] Inventor: **Christine Lemoine**, P.O. Box 263,  
Cottonport, La. 71327

*Primary Examiner*—Gary D. Watson  
*Attorney, Agent, or Firm*—John D. Guglietta

[\*\*] Term: **14 Years**

[57] **CLAIM**

[21] Appl. No.: **40,181**

The ornamental design for an outdoor lawn chair, as shown and described.

[22] Filed: **Jun. 12, 1995**

[52] U.S. Cl. .... **D6/361**

**DESCRIPTION**

[58] Field of Search ..... D6/334, 360, 361,  
D6/370, 500, 501, 502; 297/377

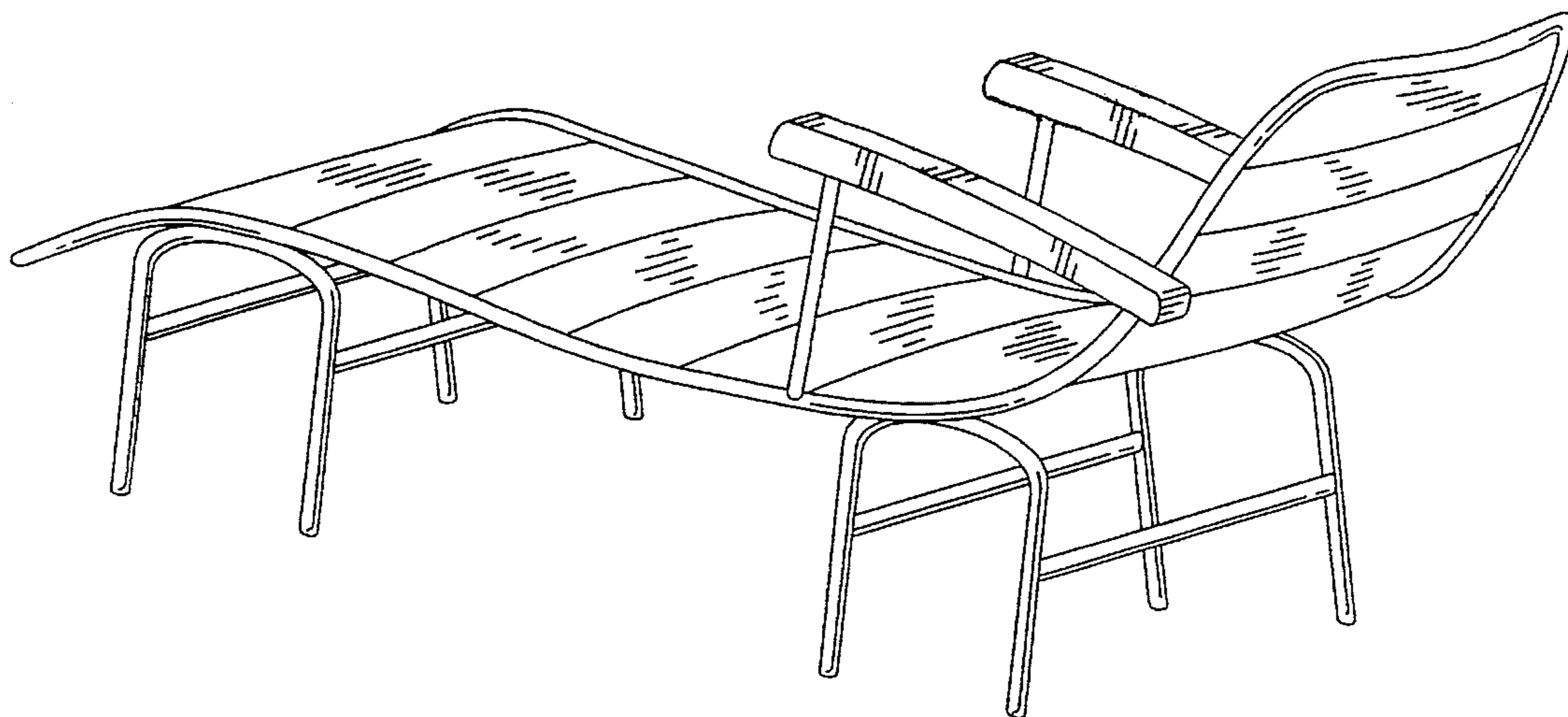
FIG. 1 is a rear and side perspective view of an outdoor lawn chair showing my new design;  
FIG. 2 is a right side elevational view thereof;  
FIG. 3 is a top plan view thereof;  
FIG. 4 is a bottom plan view thereof;  
FIG. 5 is a rear elevational view thereof; and,  
FIG. 6 is a front elevational view thereof.

[56] **References Cited**

**U.S. PATENT DOCUMENTS**

D. 208,698	9/1967	Ellsworth et al. ....	D6/361
D. 282,415	2/1986	Sheridan .....	D6/361
D. 296,849	7/1988	Cronk .....	D6/361
3,463,440	8/1969	Libby, Jr. ....	248/487
3,902,753	9/1975	Wilson .....	297/185

**1 Claim, 2 Drawing Sheets**



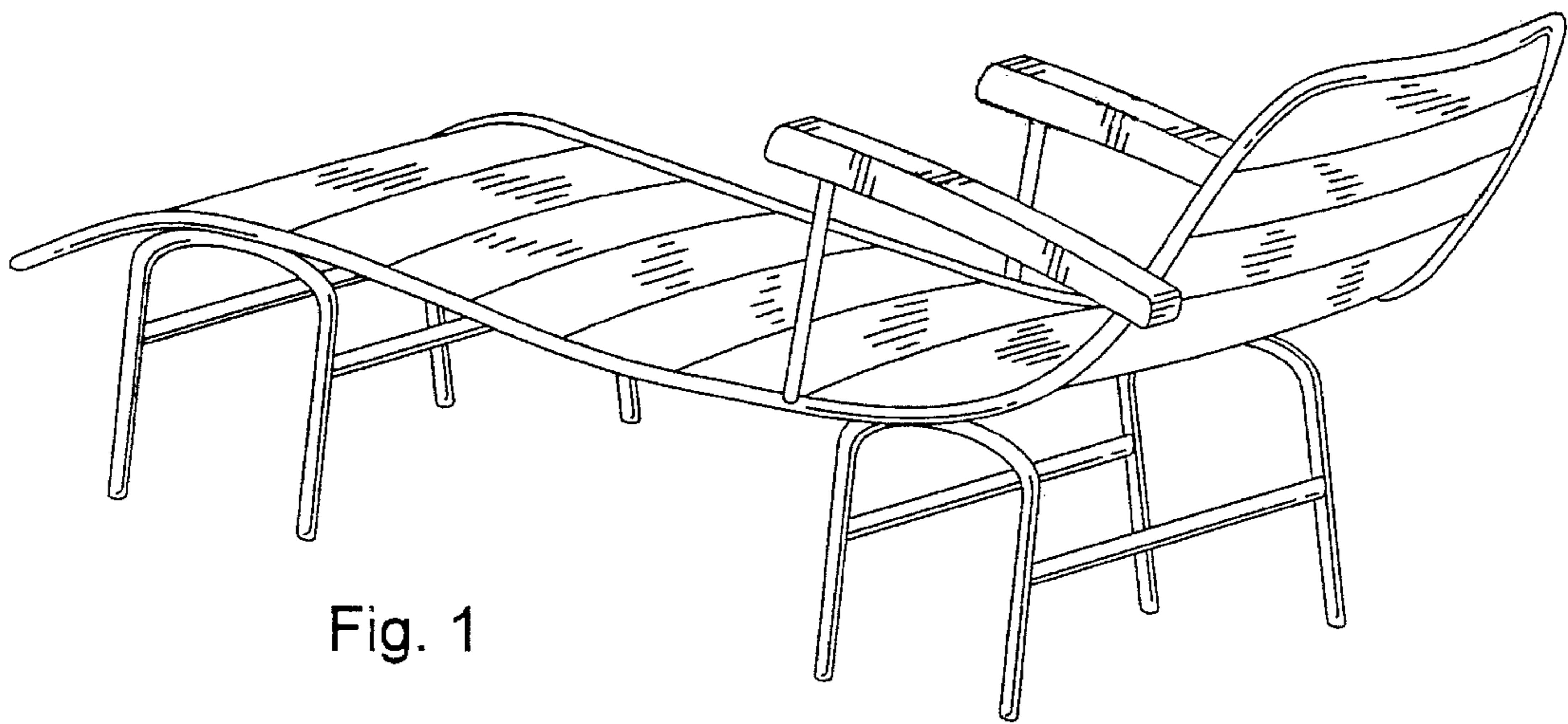


Fig. 1

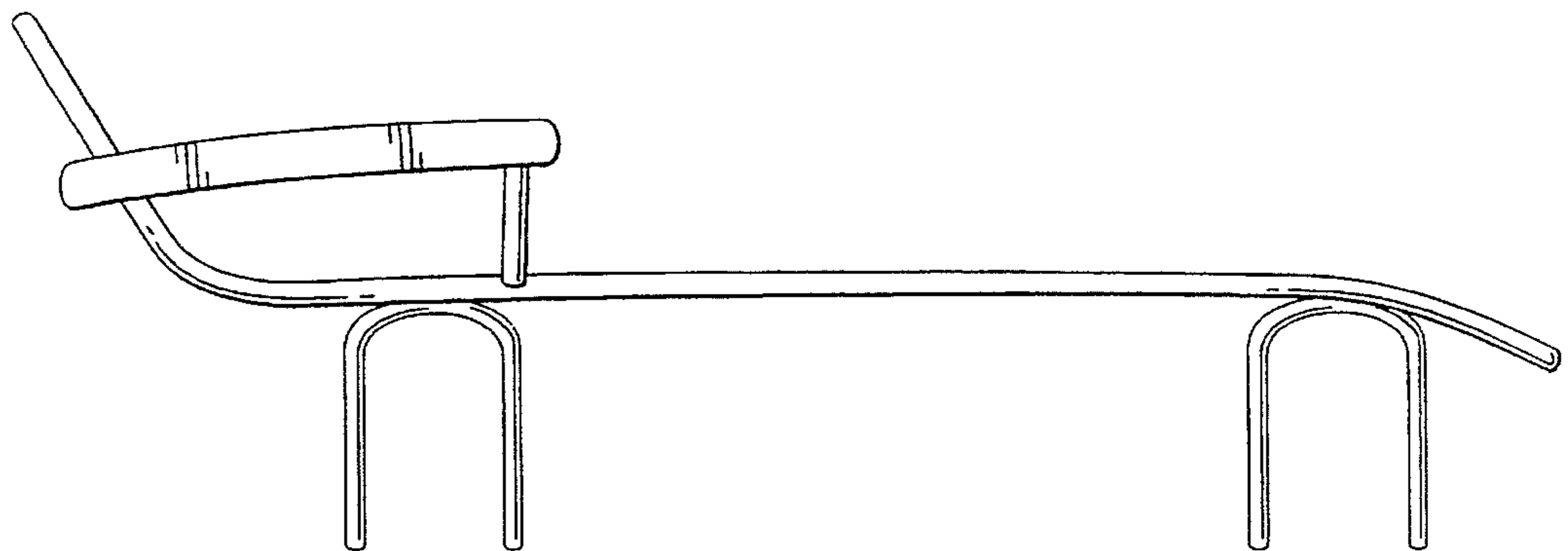


Fig. 2

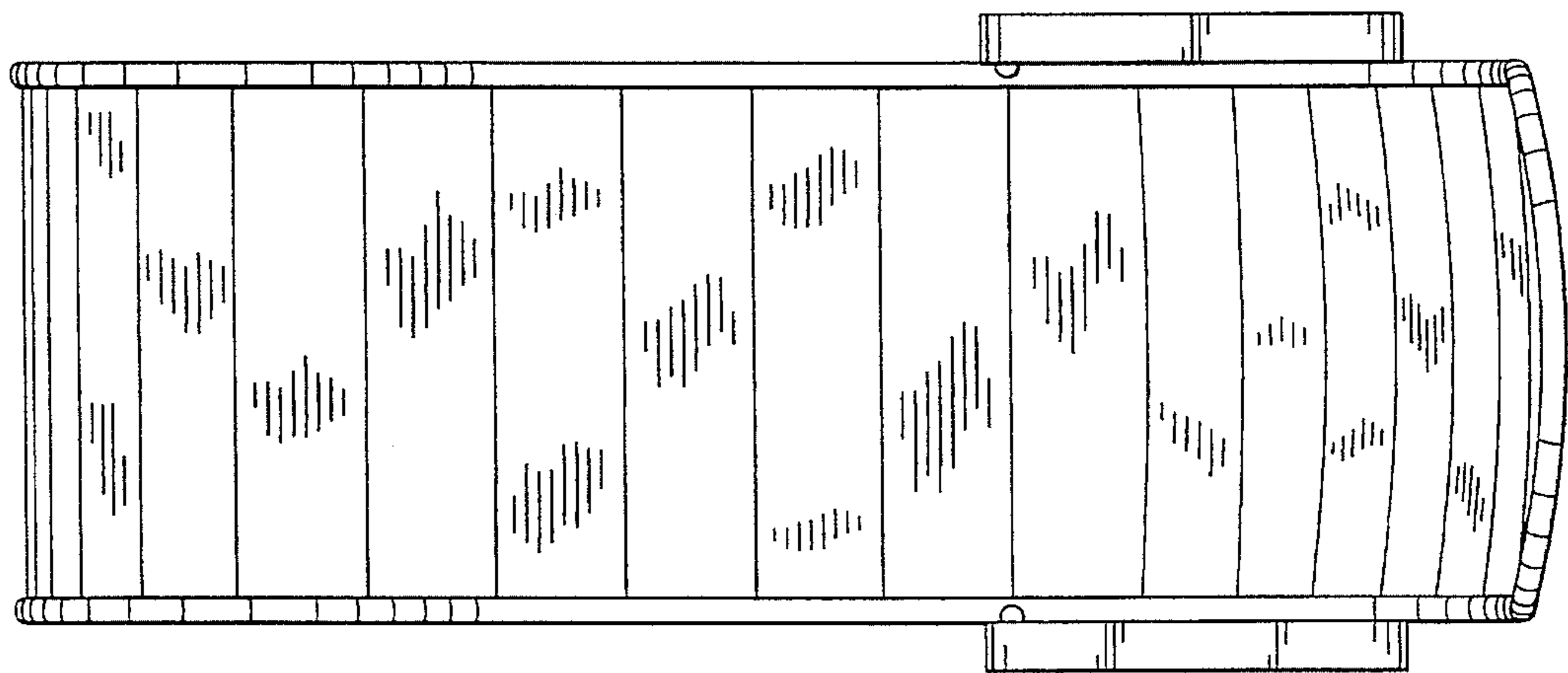


Fig. 3

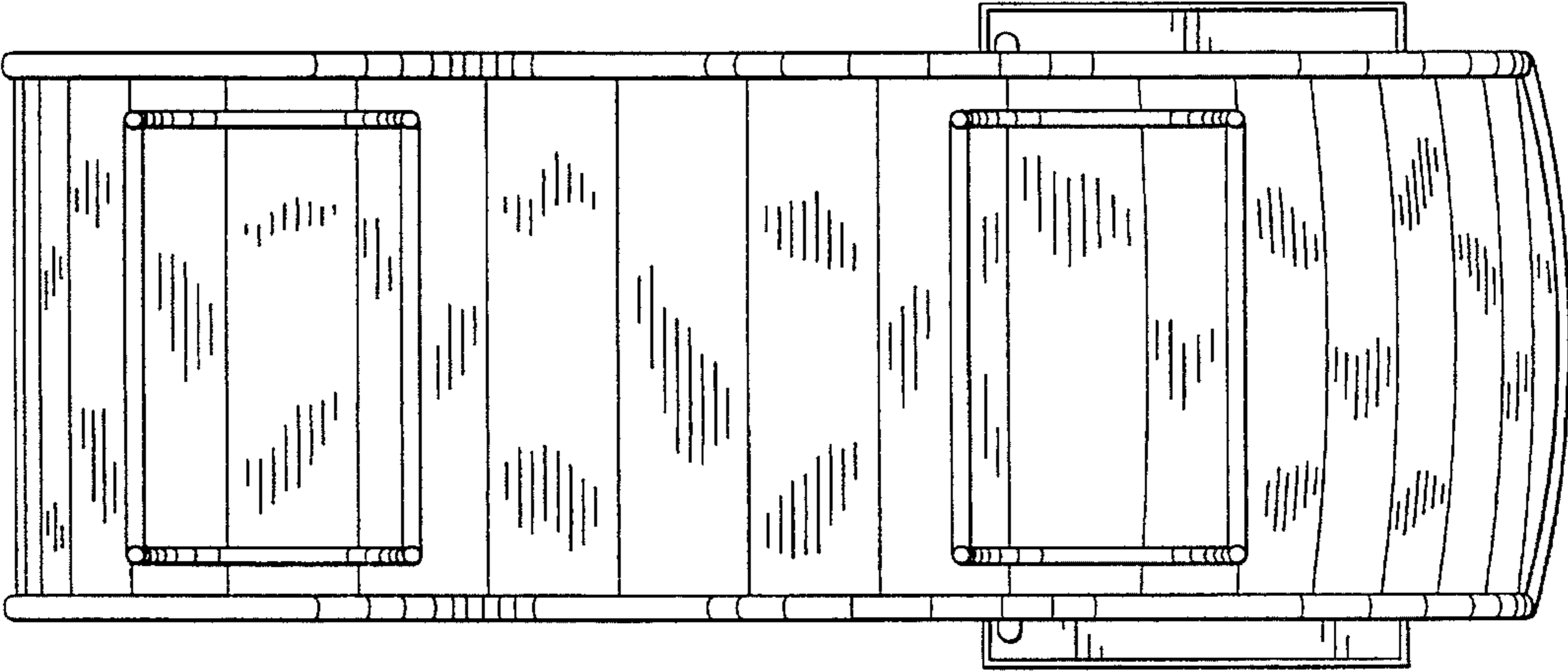


Fig. 4

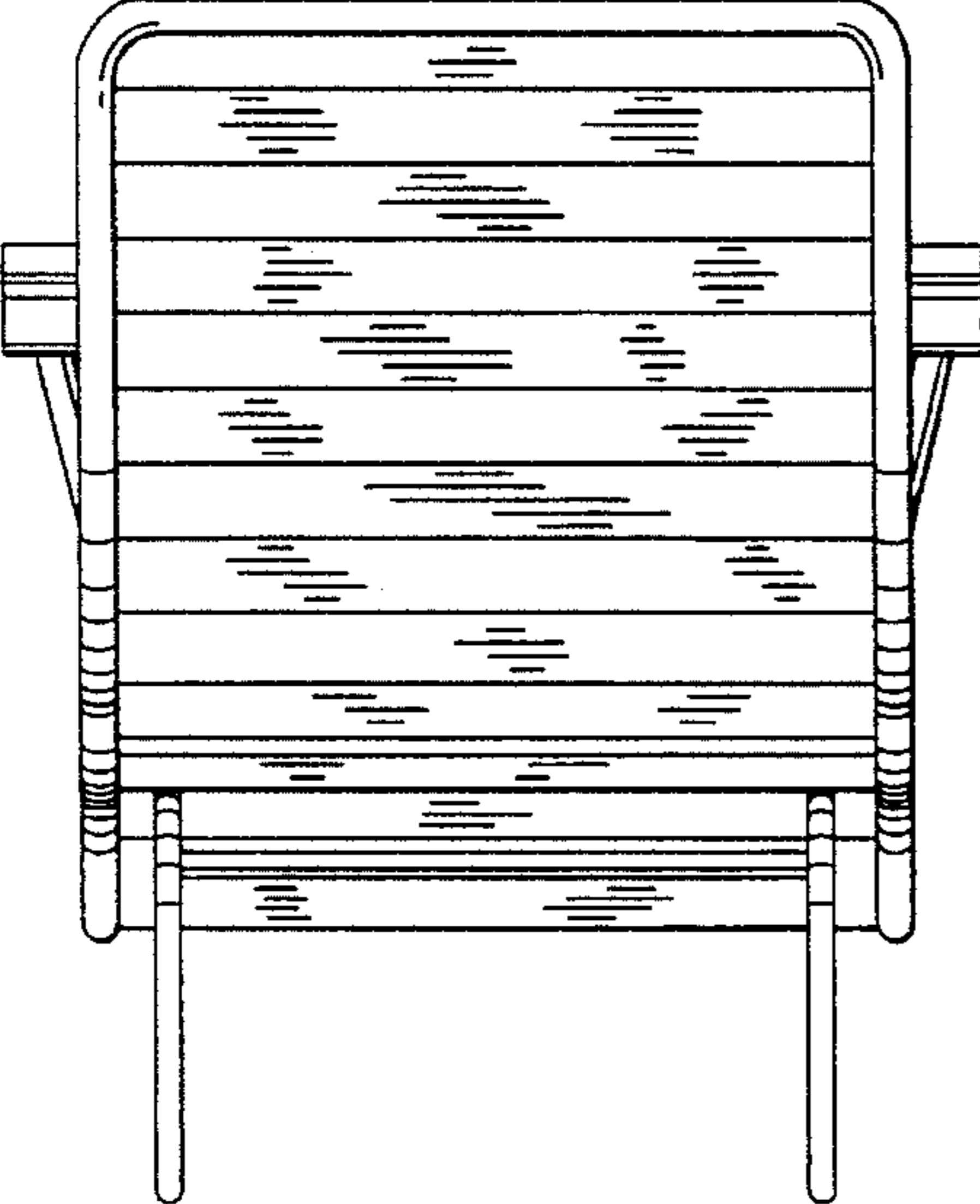


Fig. 5

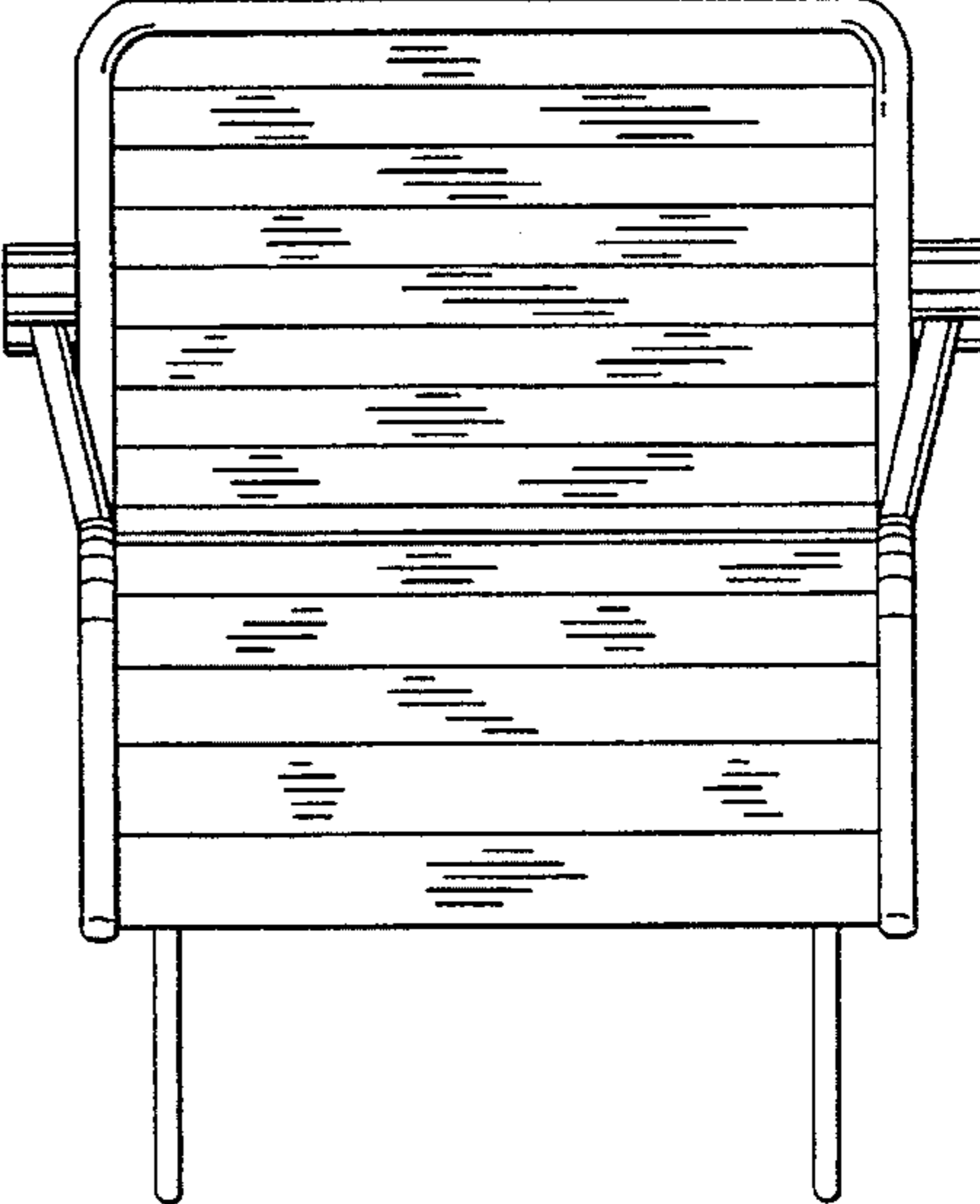


Fig. 6