



US00D369914S

United States Patent [19]

Kirn et al.

[11] Patent Number: **Des. 369,914**

[45] Date of Patent: ****May 21, 1996**

[54] SEAT WITH ARMRESTS

D. 313,895 1/1991 Yau Kee D6/355

[75] Inventors: **S. Kenneth Kirn**, Vancouver, Wash.;
Michael B. Fox, Aloha, Oreg.

Primary Examiner—Gary D. Watson
Attorney, Agent, or Firm—Kolisich, Hartwell, Dickinson,
McCormack & Heuser

[73] Assignee: **Columbia Cascade Company**,
Portland, Oreg.

[57] **CLAIM**

[**] Term: **14 Years**

The ornamental design for a seat with armrests, as shown
and described.

[21] Appl. No.: **40,518**

DESCRIPTION

[22] Filed: **Jun. 20, 1995**

[52] U.S. Cl. **D6/355; D6/370**

[58] Field of Search D6/334, 349, 355,
D6/370, 374, 376, 379, 380, 500, 501,
502; 297/232

FIG. 1 is an isometric view of a seat with armrests showing
our new design;

FIG. 2 is a right side elevational view thereof, the left side
elevational view being a mirror image of the right side
elevational view;

FIG. 3 is a top plan view thereof;

FIG. 4 is a front elevational view thereof, the rear elevational
view being a mirror image of the front elevational view; and,

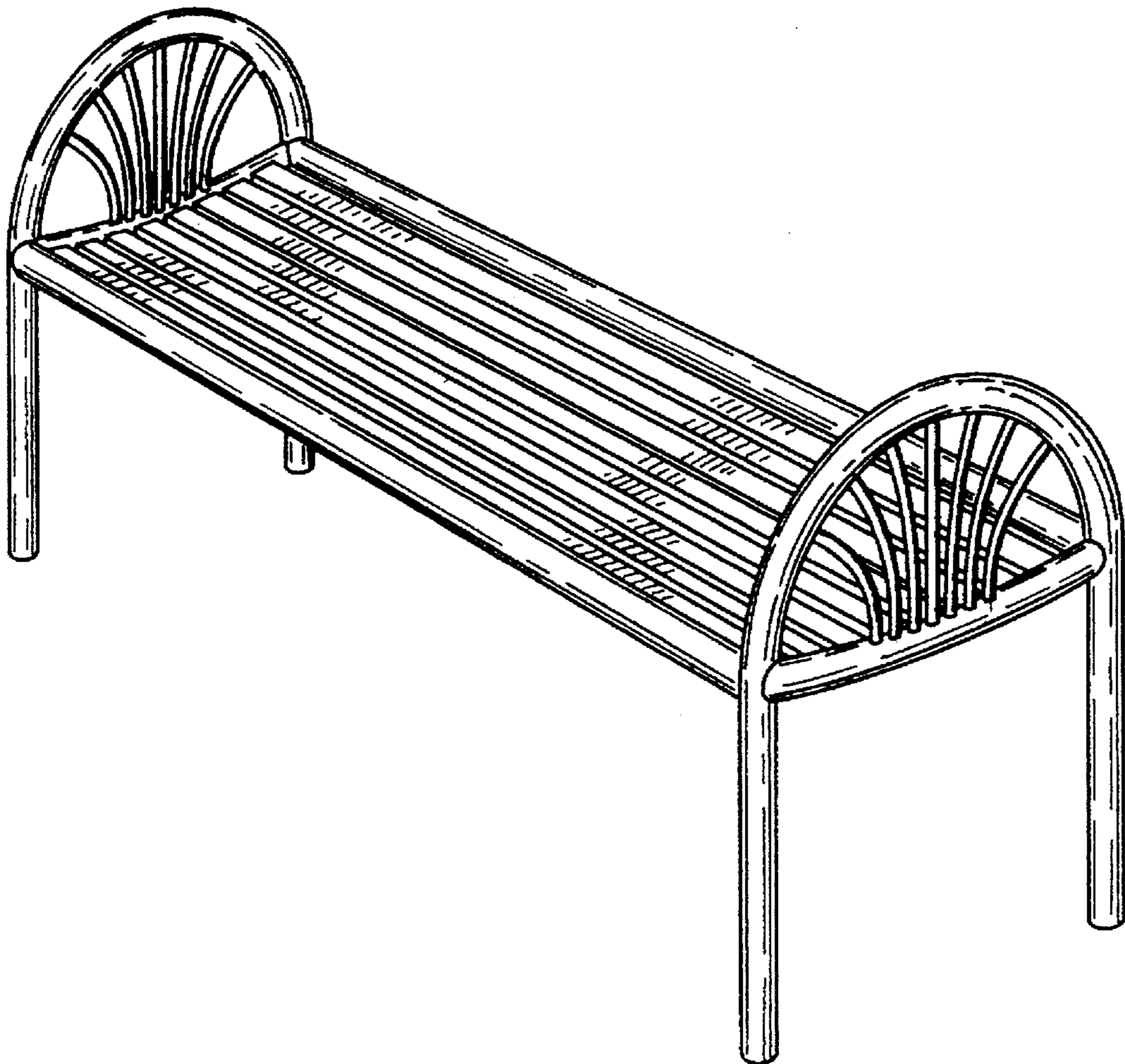
FIG. 5 is a bottom plan view thereof.

[56] **References Cited**

U.S. PATENT DOCUMENTS

D. 310,606 9/1990 Keller D6/380
D. 312,535 12/1990 Yau Kee D6/355 X

1 Claim, 1 Drawing Sheet



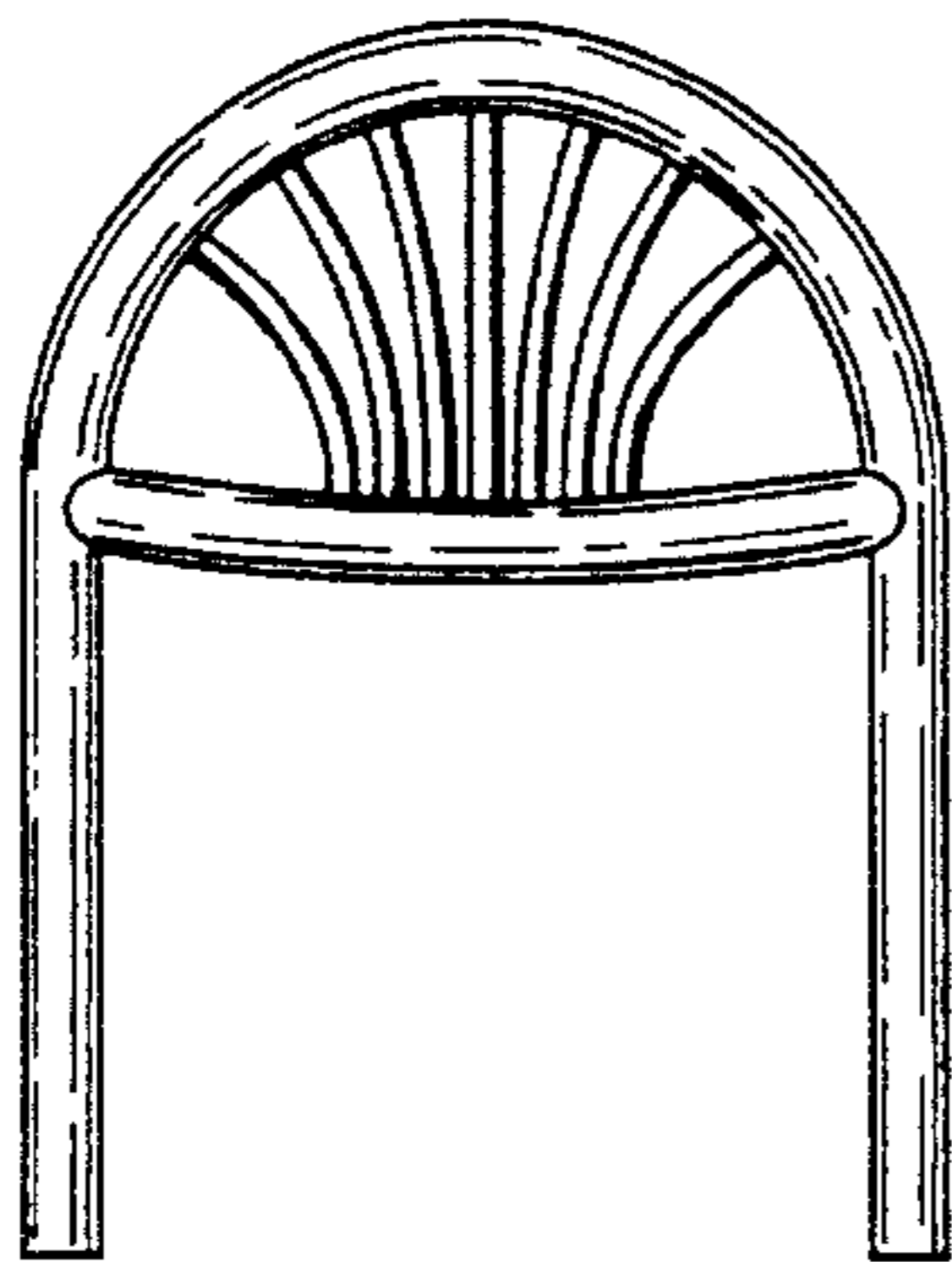


FIG. 2

FIG. 3

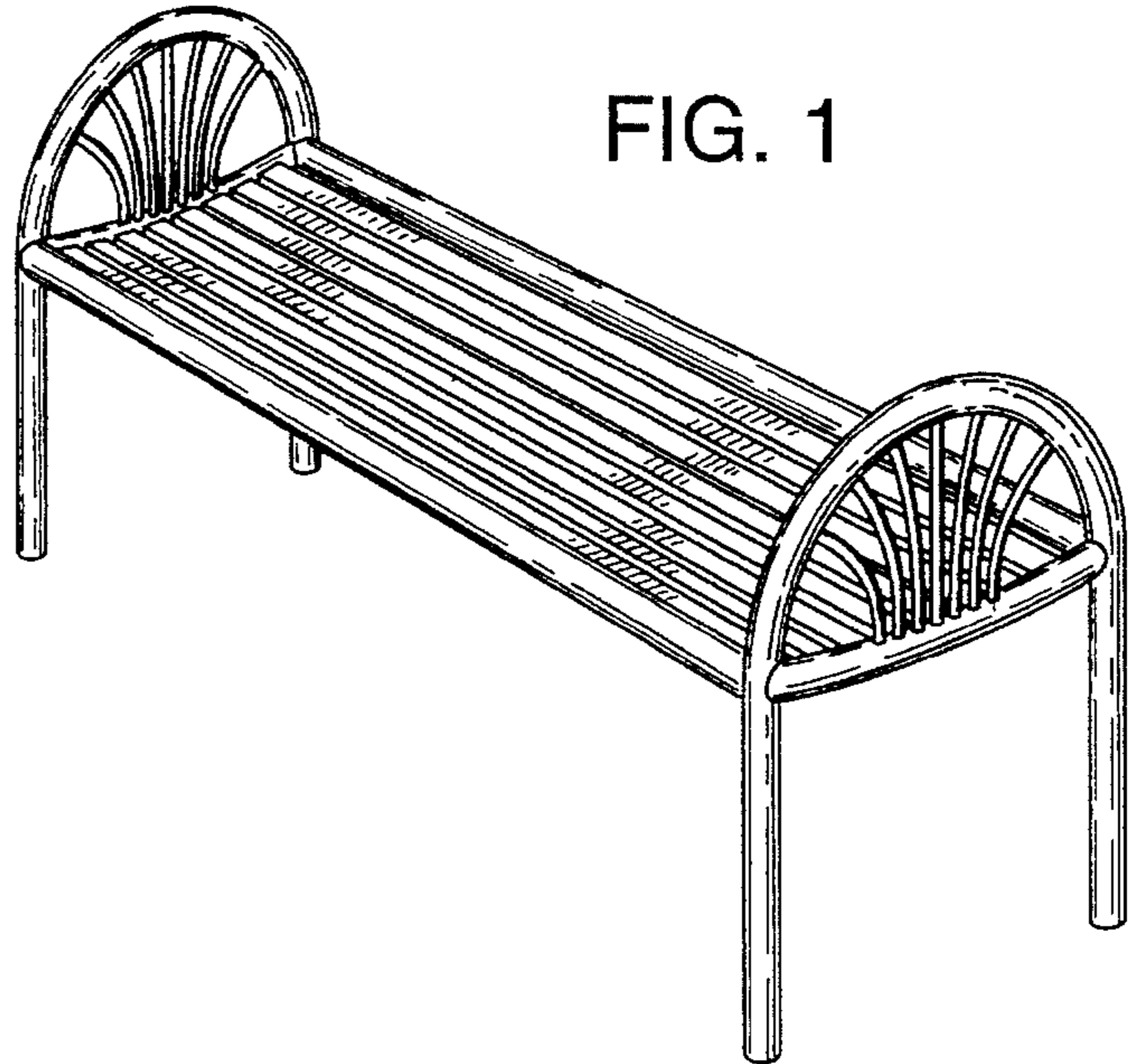


FIG. 1

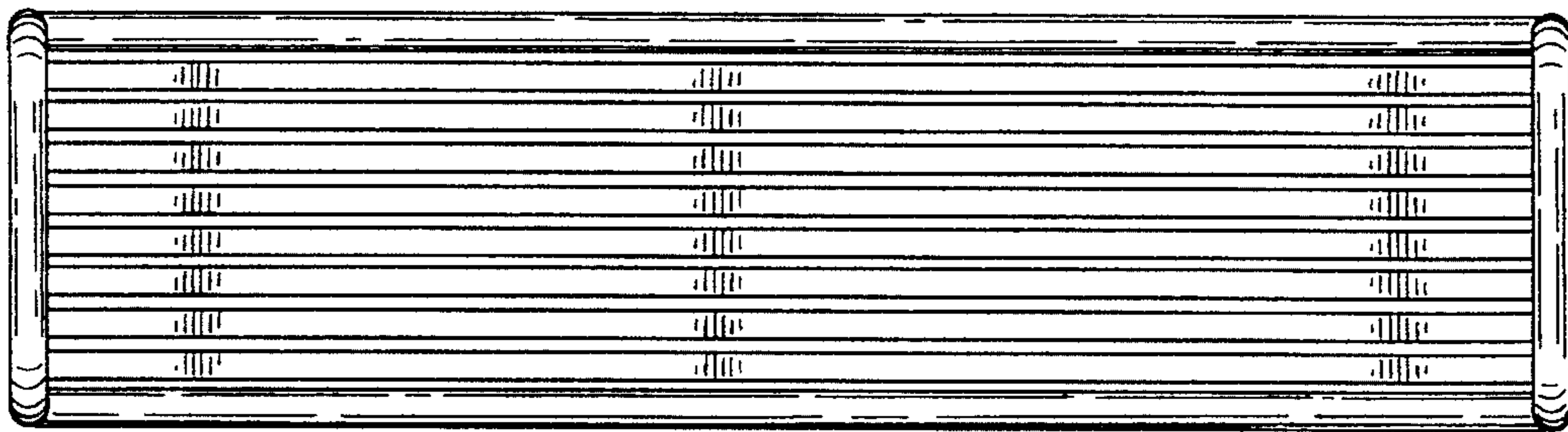


FIG. 4

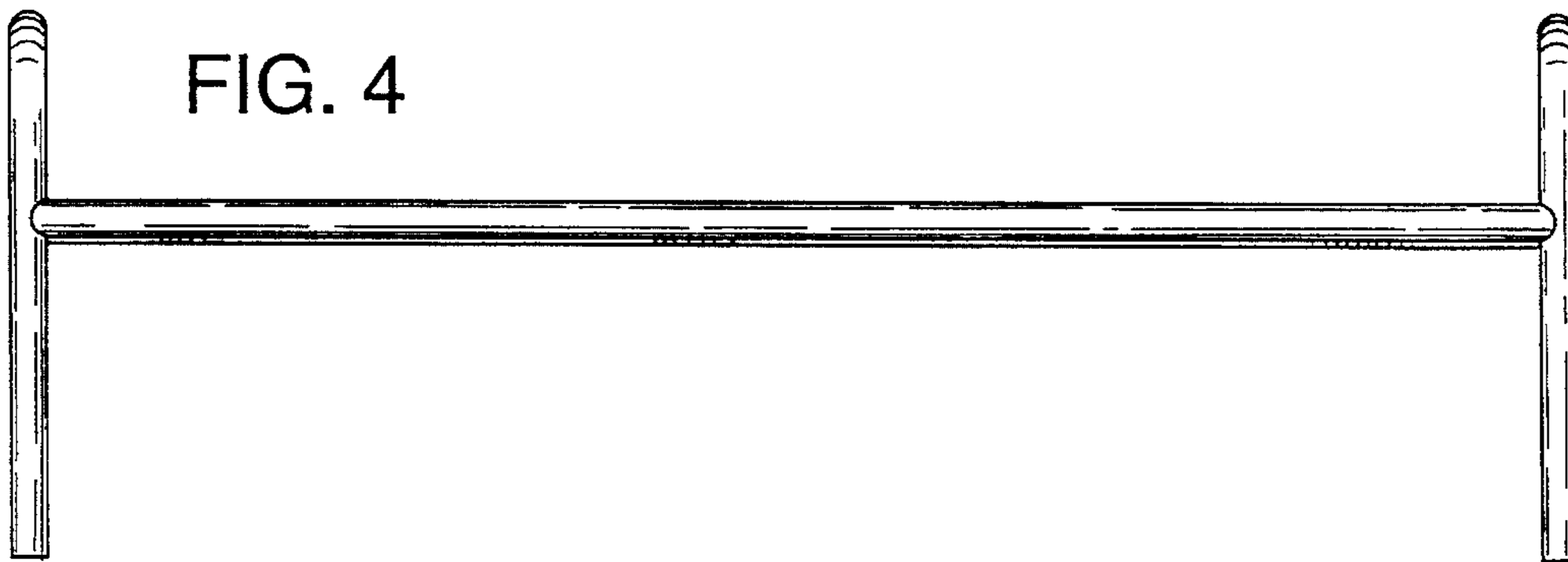


FIG. 5

