



US00D369913S

United States Patent [19]
Noll

[11] **Patent Number: Des. 369,913**

[45] **Date of Patent: **May 21, 1996**

[54] **COMBINED PATIO TABLE WITH CHAIRS**

[75] Inventor: **Ronald C. Noll**, Shaker Heights, Ohio

[73] Assignee: **Cardinal American Corporation**,
Cleveland, Ohio

[**] Term: **14 Years**

[21] Appl. No.: **29,299**

[22] Filed: **Oct. 3, 1994**

[52] U.S. Cl. **D6/337**

[58] Field of Search D6/335-338; 297/157.1,
297/158.2, 158.3, 158.4, 158.5, 159.1

[56] **References Cited**

U.S. PATENT DOCUMENTS

D. 190,744	6/1961	Guice	D6/337
D. 244,409	5/1977	Arnold	D6/337
D. 250,151	11/1978	Pingel	D6/337
D. 357,590	4/1995	Noll	D6/337
681,394	8/1901	Hile	297/157.1
4,738,484	4/1988	Leong	D6/337

OTHER PUBLICATIONS

Swets, *The Ultram Collection*, 02870/GAM, table at lower left, #UF-6071.

Sweets, *Landscape Forms*, 02870/LFl p. 7, table at center.

Primary Examiner—Janice E. Seeger

Attorney, Agent, or Firm—Pearne, Gordon, McCoy & Granger

[57] **CLAIM**

The ornamental design for a combined patio table with chairs, as shown and described.

DESCRIPTION

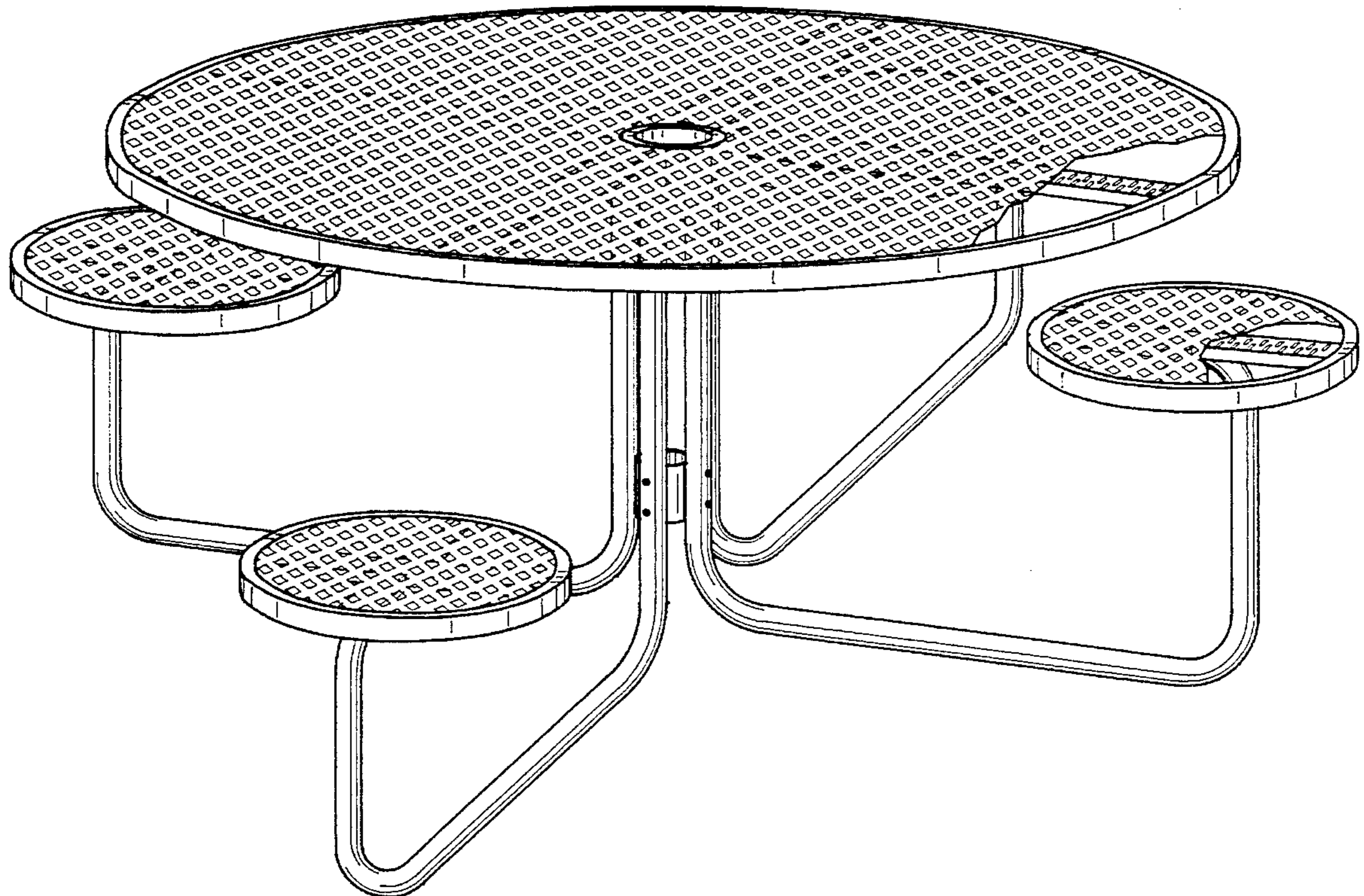
FIG. 1 is a perspective view of a combined patio table with chairs, showing my new design, with portions of the seat and table omitted for convenience of illustration;

FIG. 2 is a front elevational view thereof;

FIG. 3 is a top plan view thereof; and,

FIG. 4 is a bottom plan view thereof.

1 Claim, 3 Drawing Sheets



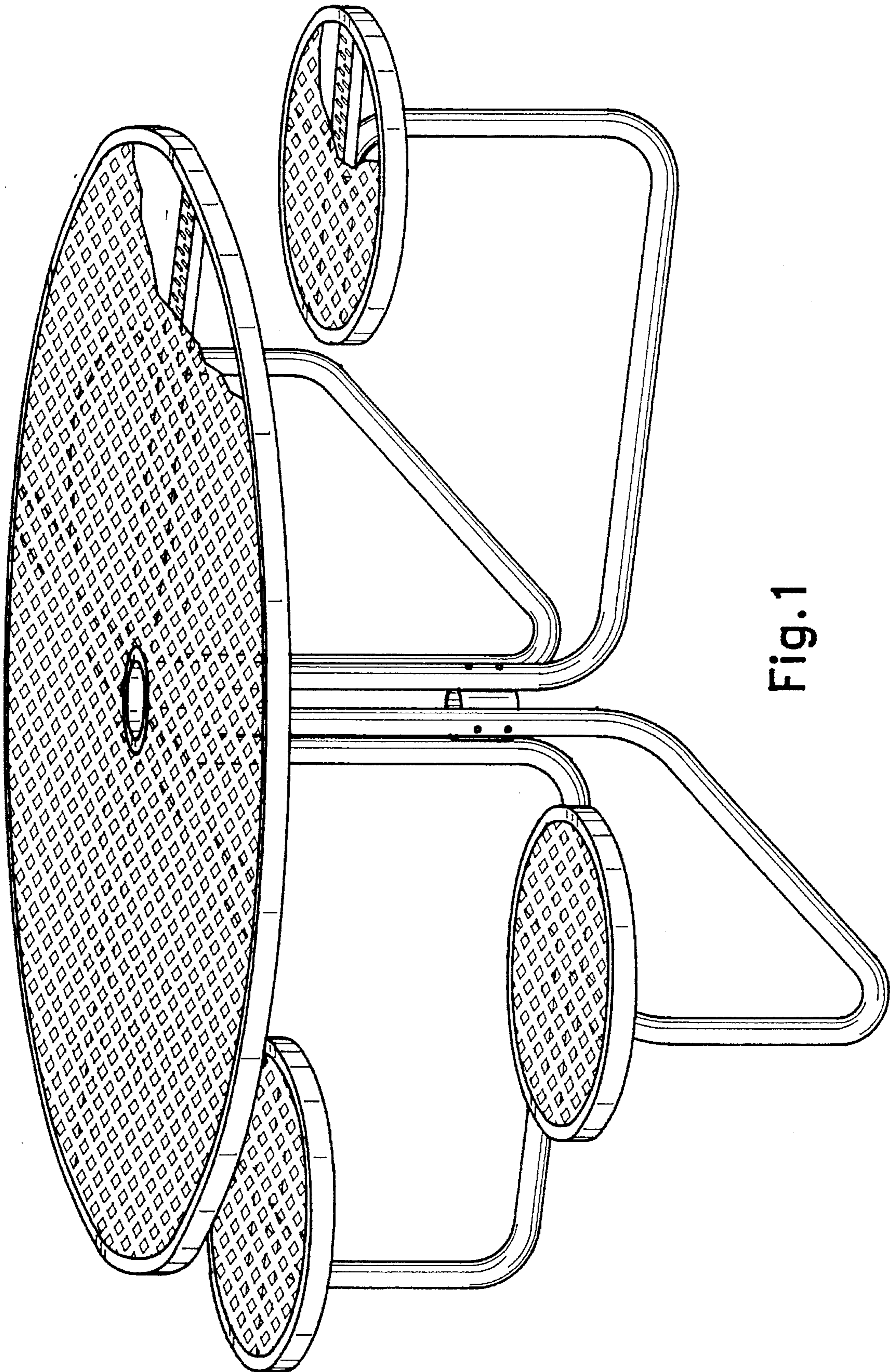


Fig. 1

Fig.3

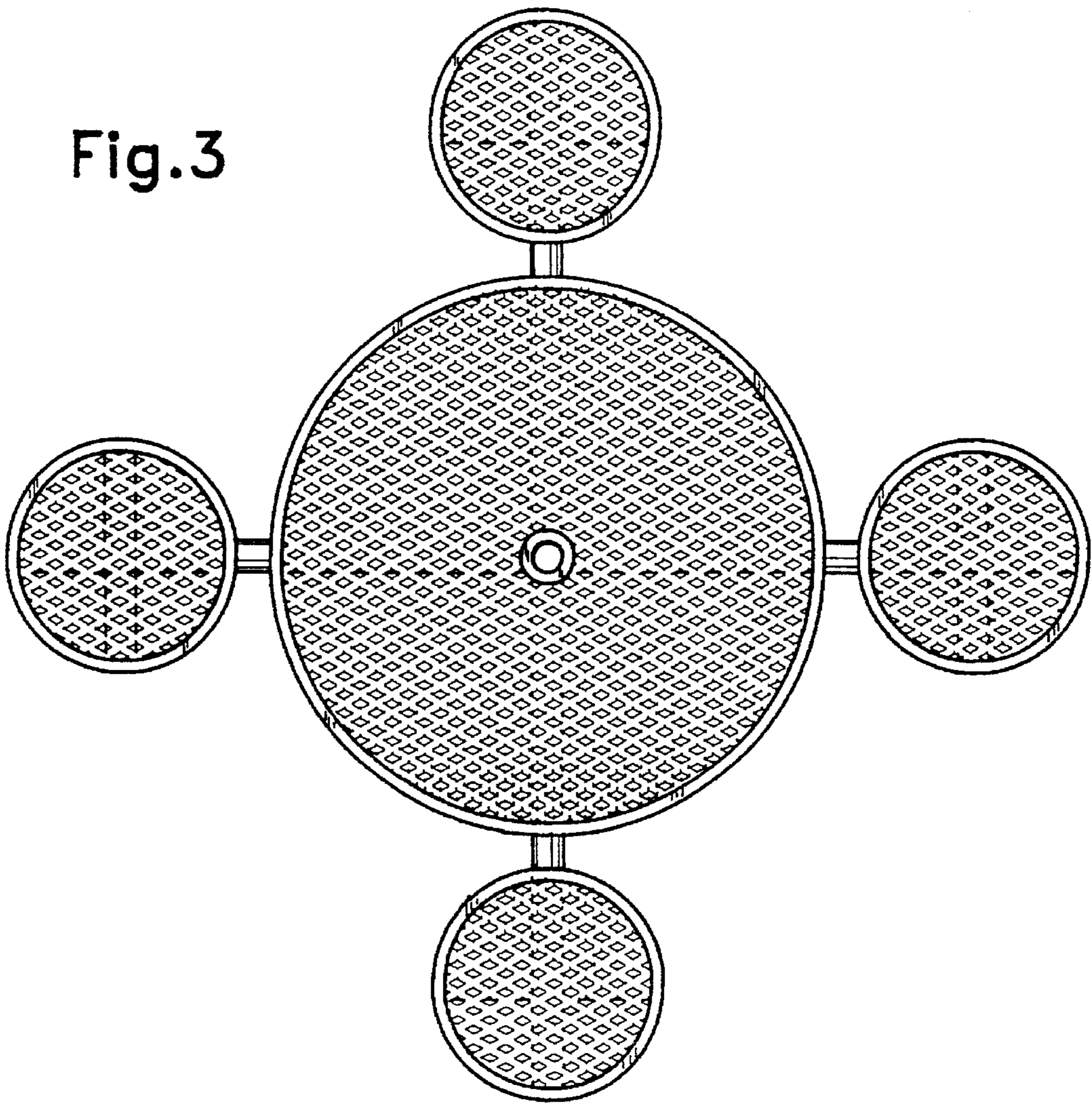


Fig.2

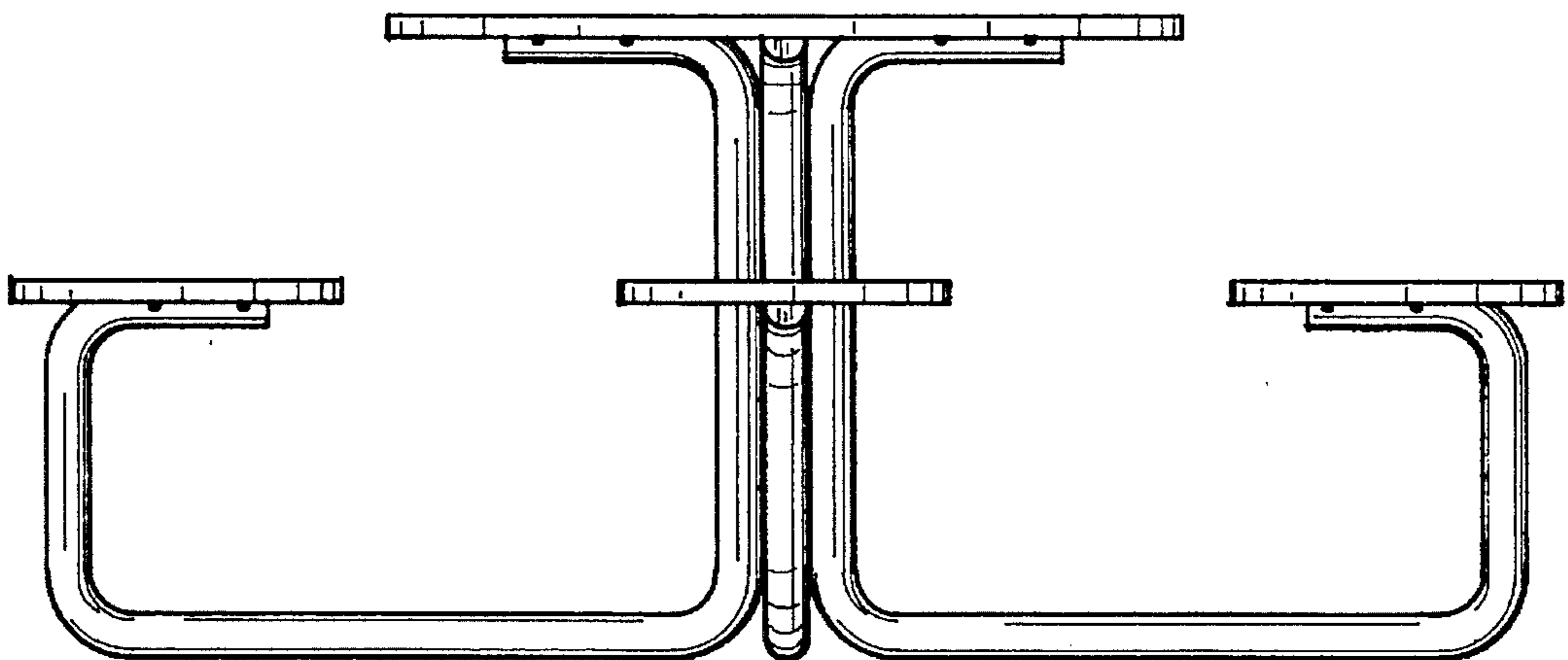


Fig.4

