



US00D369912S

United States Patent [19] Noll

[11] Patent Number: **Des. 369,912**

[45] Date of Patent: ****May 21, 1996**

[54] PICNIC TABLE

[75] Inventor: **Ronald C. Noll**, Shaker Heights, Ohio

[73] Assignee: **Cardinal American Corporation**,
Cleveland, Ohio

[**] Term: **14 Years**

[21] Appl. No.: **23,772**

[22] Filed: **Jun. 1, 1994**

[52] U.S. Cl. **D6/337**

[58] Field of Search D6/335-338; 297/157.1,
297/158.1, 158.2, 158.3, 158.4, 158.5, 159.1

[56] References Cited

U.S. PATENT DOCUMENTS

D. 190,744	6/1961	Guice	D6/337
D. 357,590	4/1995	Noll	D6/337
2,766,812	10/1956	Schrader	297/158.4 X
2,849,053	8/1958	Beller et al.	297/185.1

OTHER PUBLICATIONS

Game Time, c1965-1966, p. 42, picnic table at bottom right.

Primary Examiner—Janice E. Seeger
Attorney, Agent, or Firm—Pearne, Gordon, McCoy & Granger

[57] CLAIM

The ornamental design for a picnic table, as shown and described.

DESCRIPTION

FIG. 1 is a perspective view of a picnic table, showing my new design;

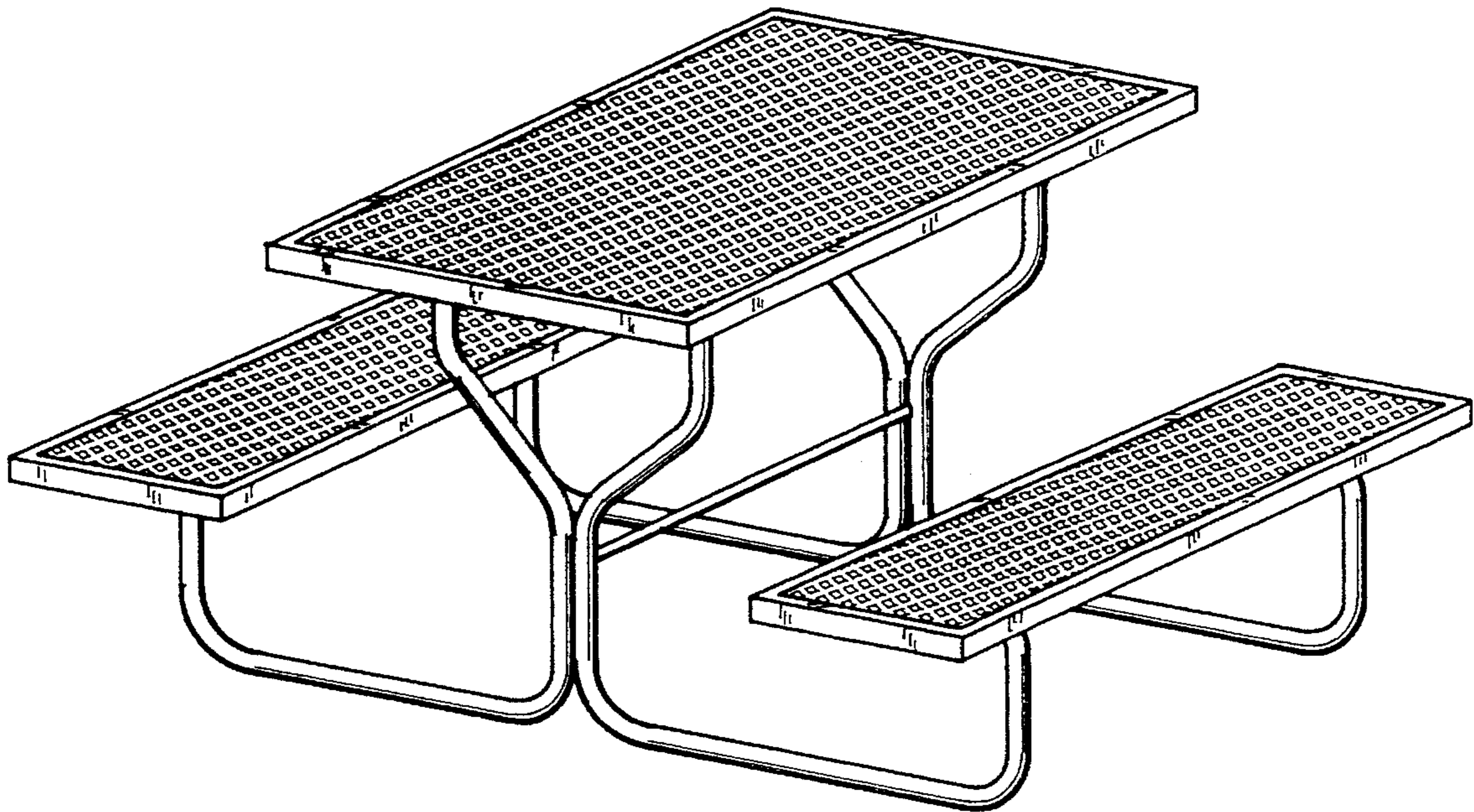
FIG. 2 is a front elevational view thereof;

FIG. 3 is a top plan view thereof;

FIG. 4 is a side elevational view thereof; and,

FIG. 5 is a bottom plan view thereof.

1 Claim, 3 Drawing Sheets



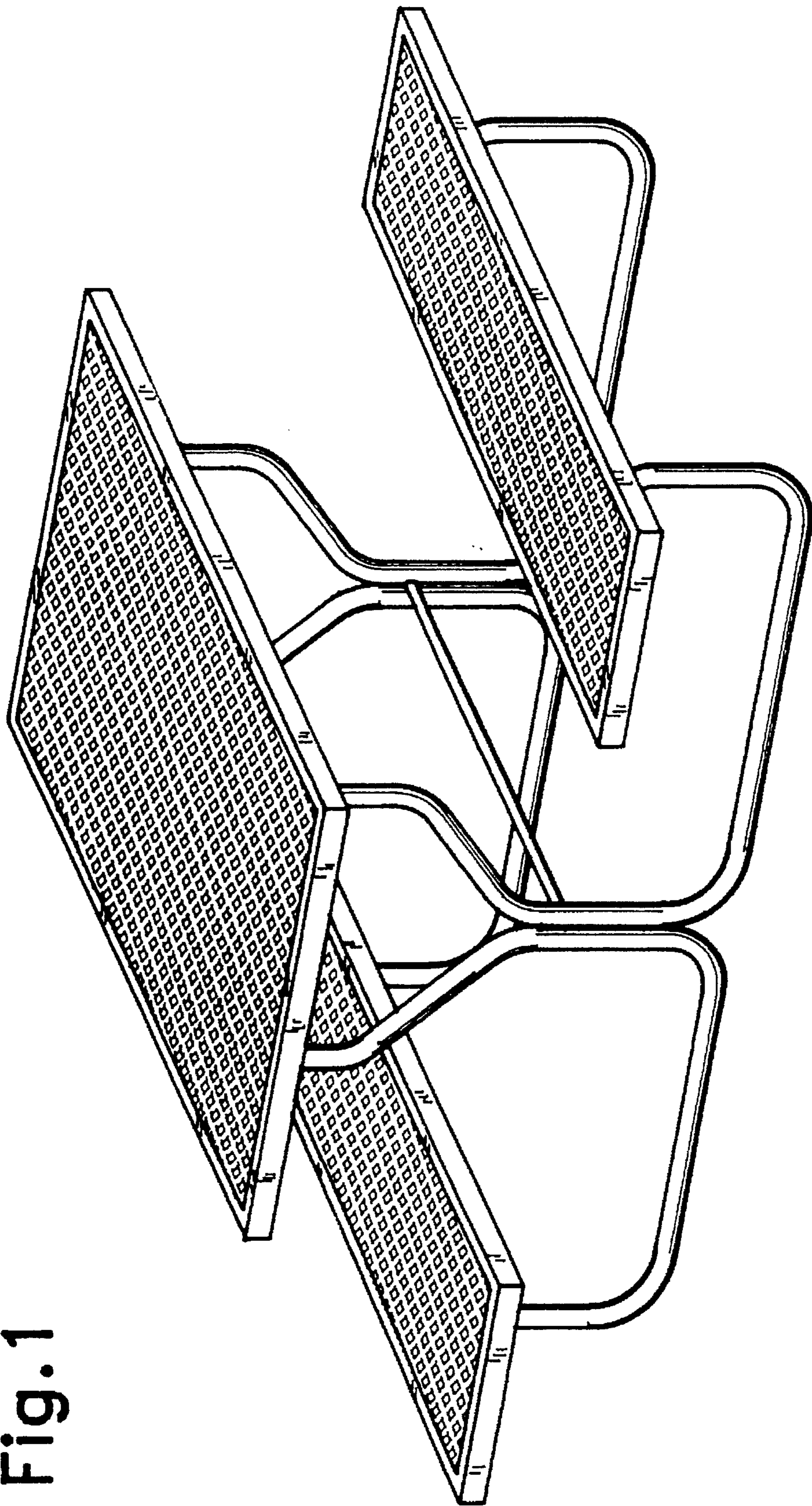


Fig. 1

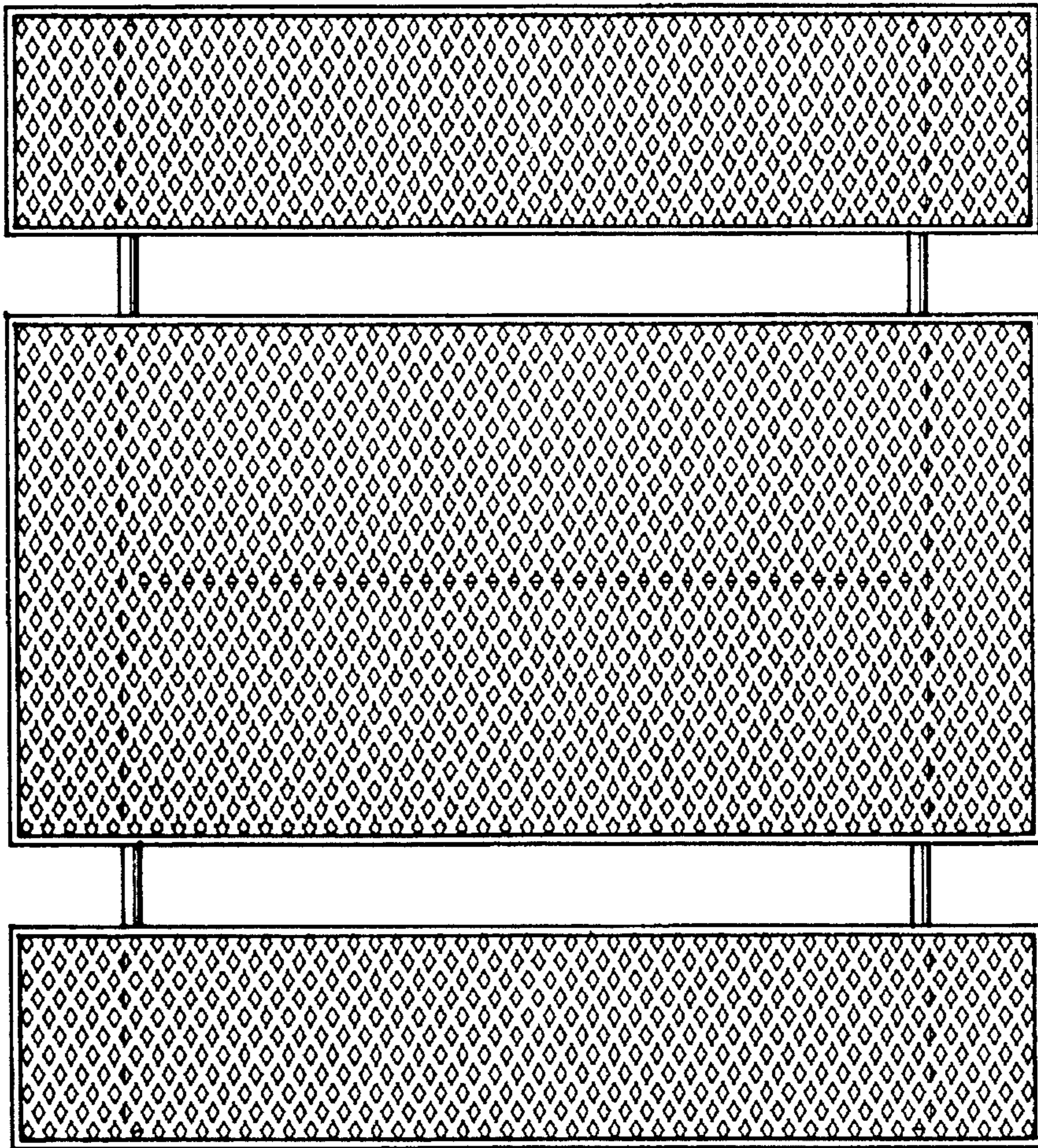


Fig.3

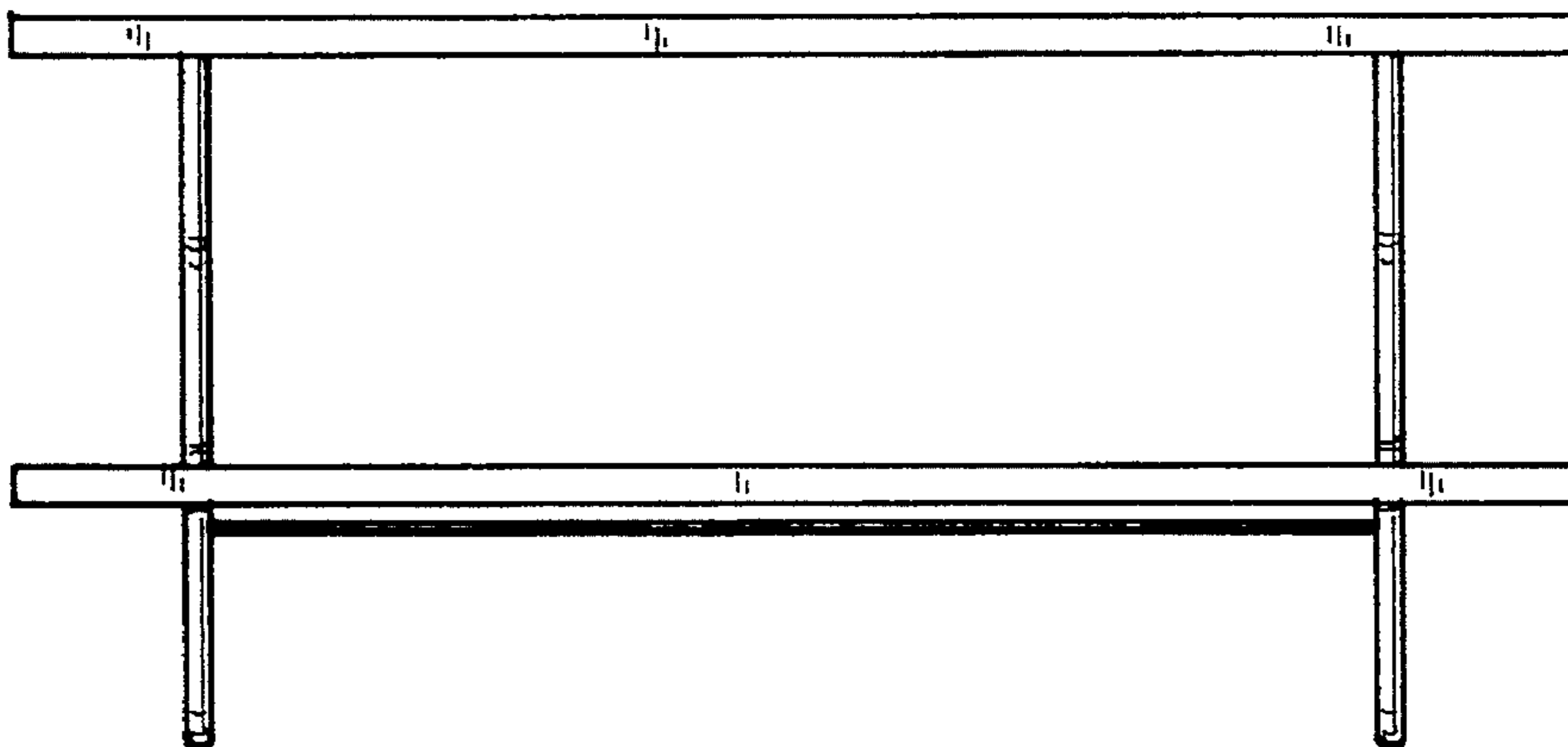


Fig.2

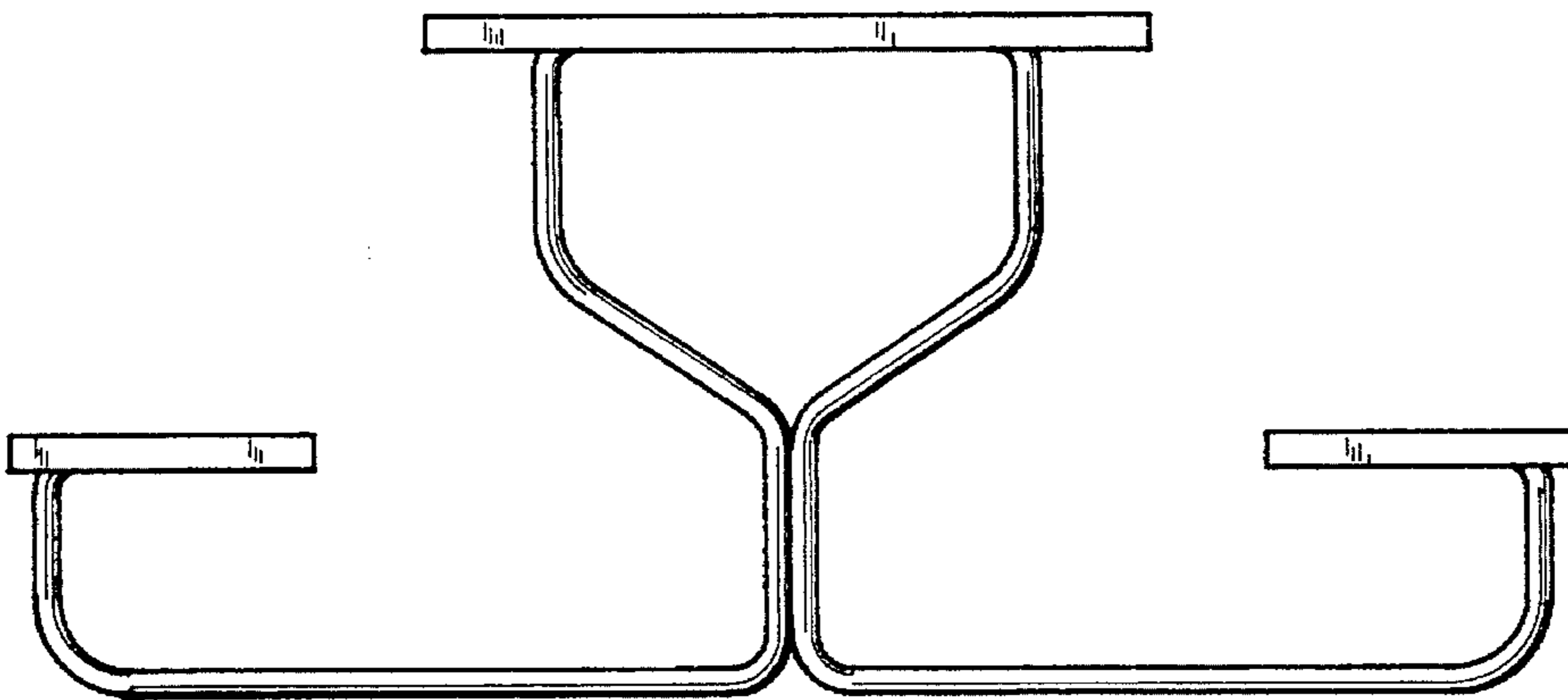


Fig. 4

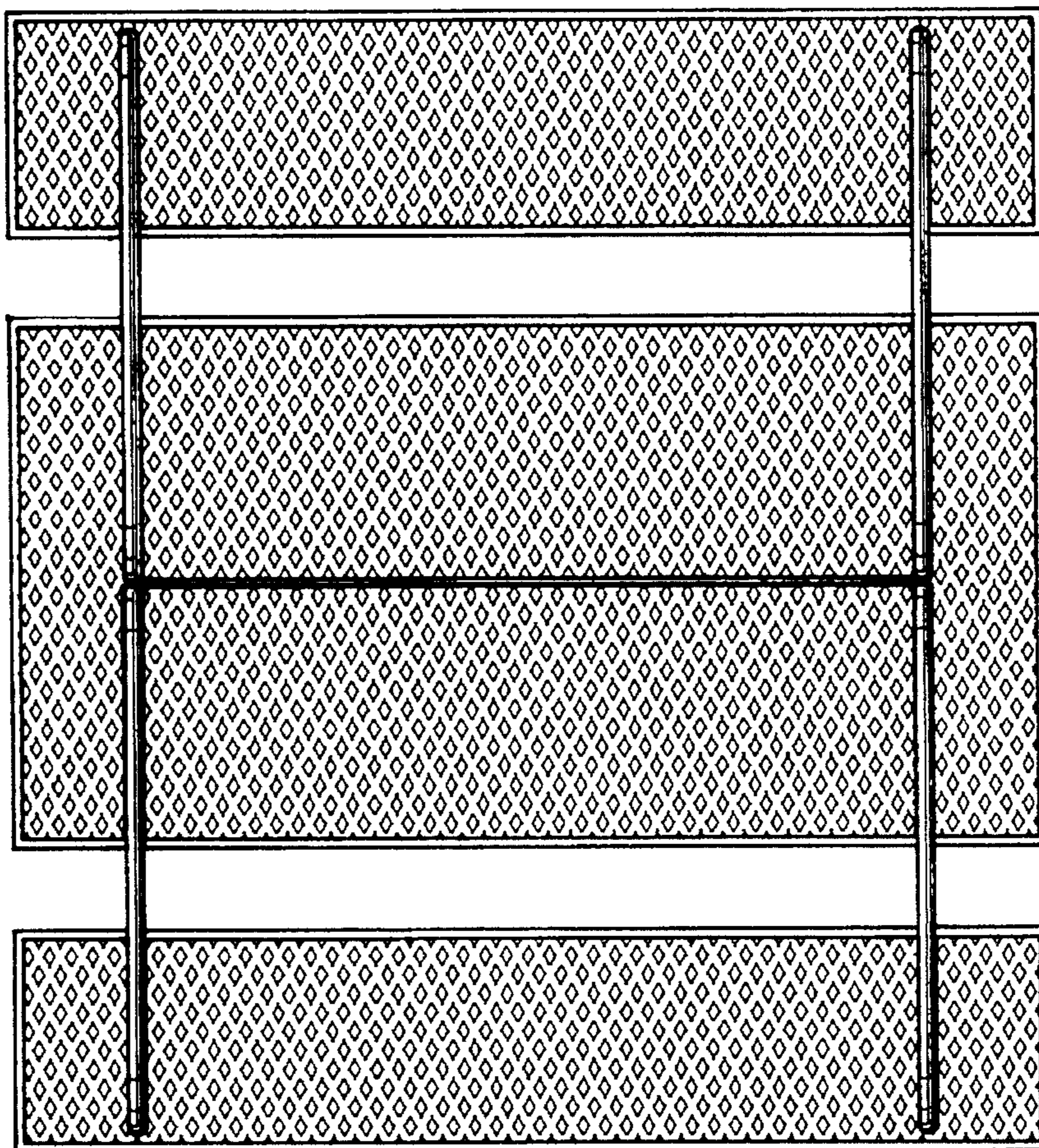


Fig. 5