



US00D369909S

# United States Patent [19]

[11] Patent Number: **Des. 369,909**

Sacks

[45] Date of Patent: **\*\*May 21, 1996**

[54] **BELT RACK**

2,848,114 8/1958 Krugov ..... 211/113  
3,780,875 12/1973 Scholl ..... 211/115

[76] Inventor: **Abraham Sacks**, 4272 Sandburg Way,  
Irvine, Calif. 92715

*Primary Examiner*—B. J. Bullock  
*Attorney, Agent, or Firm*—Blakely Sokoloff Taylor & Zaf-  
man

[\*\*] Term: **14 Years**

[21] Appl. No.: **36,216**

[57] **CLAIM**

[22] Filed: **Mar. 15, 1995**

The ornamental design for a belt rack, as shown.

[52] U.S. Cl. .... **D6/315; D6/322**

**DESCRIPTION**

[58] Field of Search ..... D6/315, 513; 211/113,  
211/119; 223/85, DIG. 1

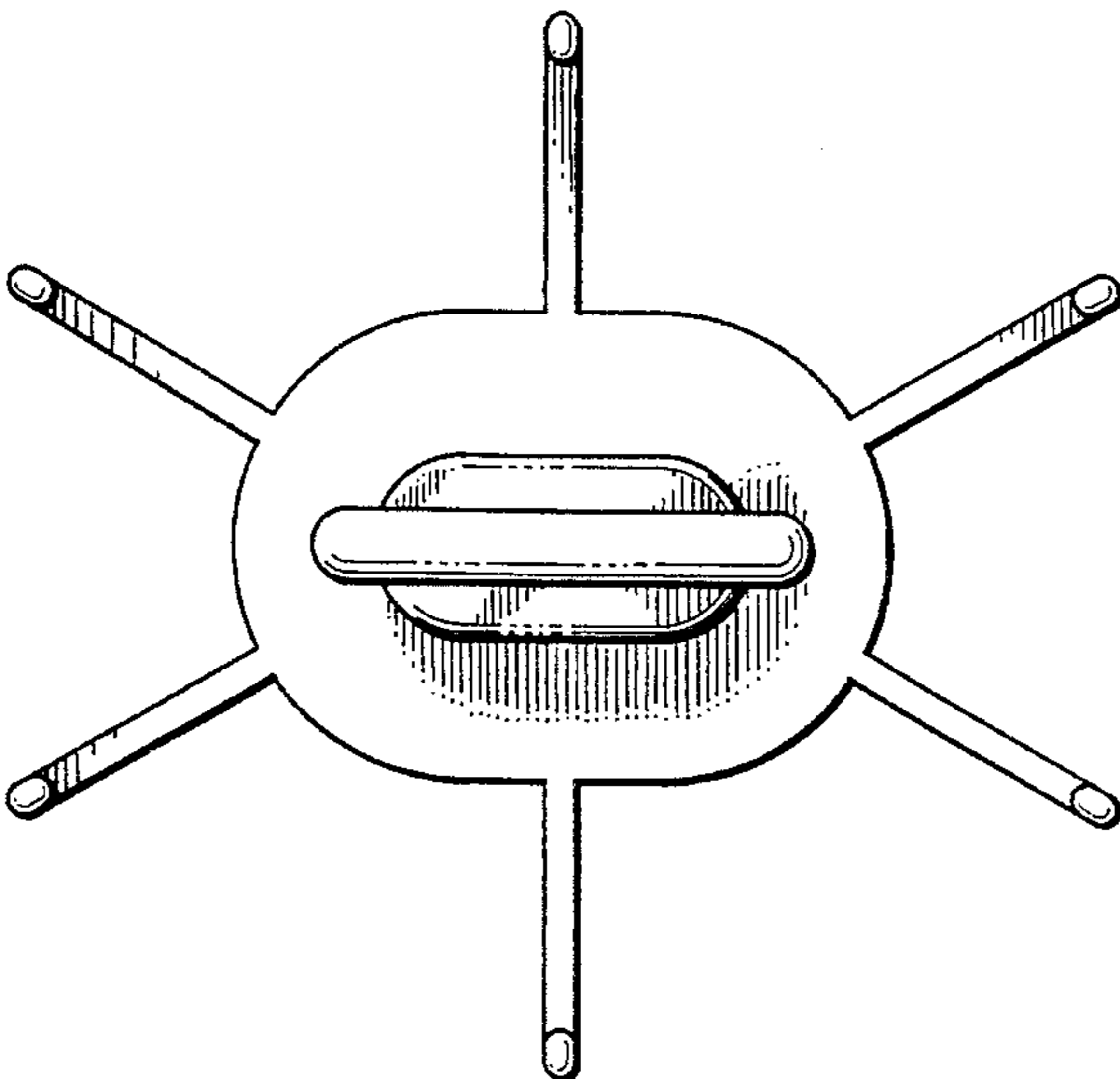
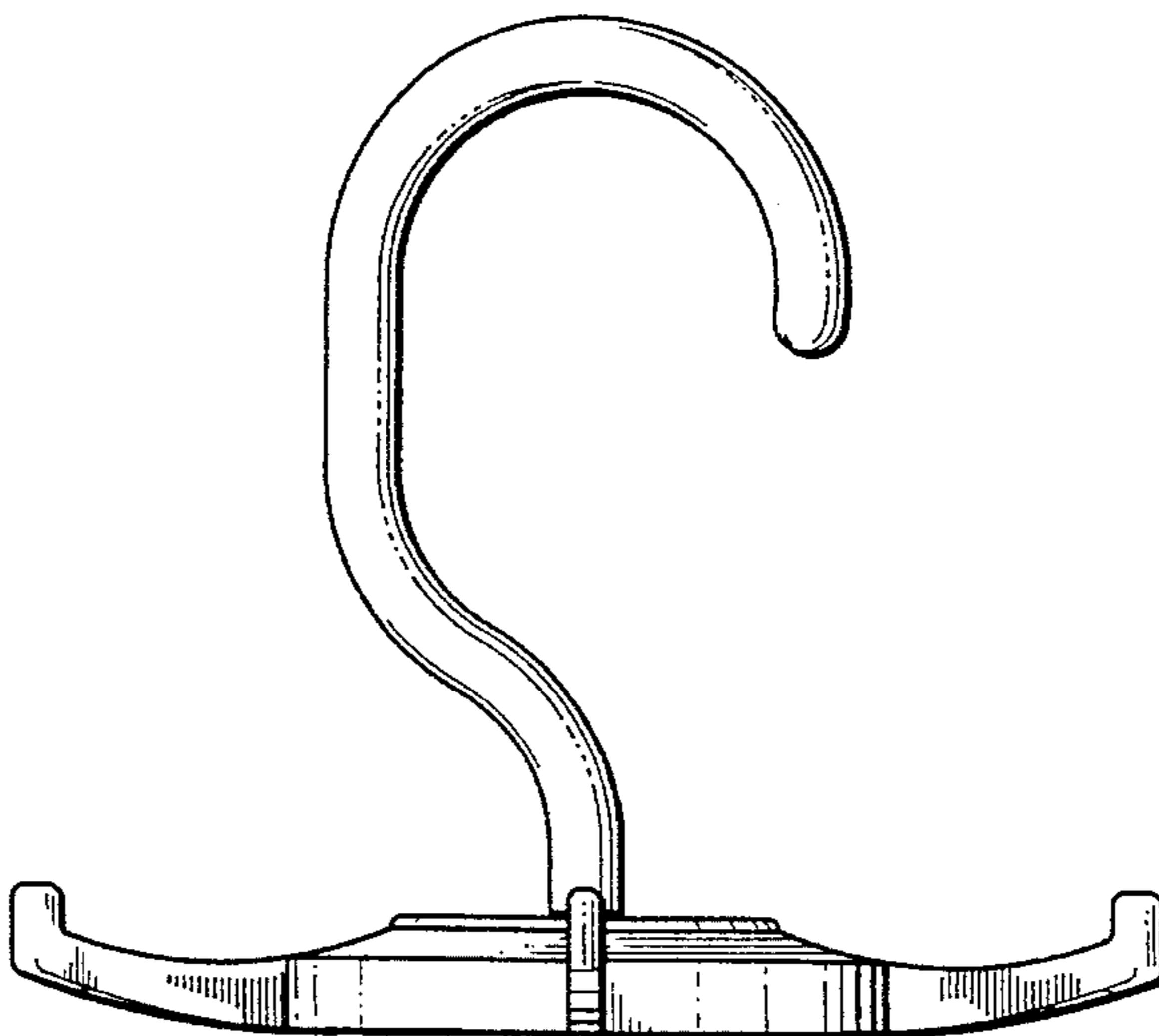
FIG. 1 is a right side view of the belt rack of the invention,  
the left side being substantially a mirror image;  
FIG. 2 is a front view of the belt rack of FIG. 1;  
FIG. 3 is a back view of the belt rack of FIG. 1;  
FIG. 4 is a top view of the belt rack of FIG. 1; and,  
FIG. 5 is a bottom view of the belt rack of FIG. 1.

[56] **References Cited**

**U.S. PATENT DOCUMENTS**

D. 141,134	5/1945	Williams	.....	D6/322
D. 143,348	12/1945	Pestyner	.....	D6/322
D. 196,469	10/1963	Kennedy	.....	D6/315
D. 331,500	12/1992	Davati	.....	D6/315

**1 Claim, 3 Drawing Sheets**



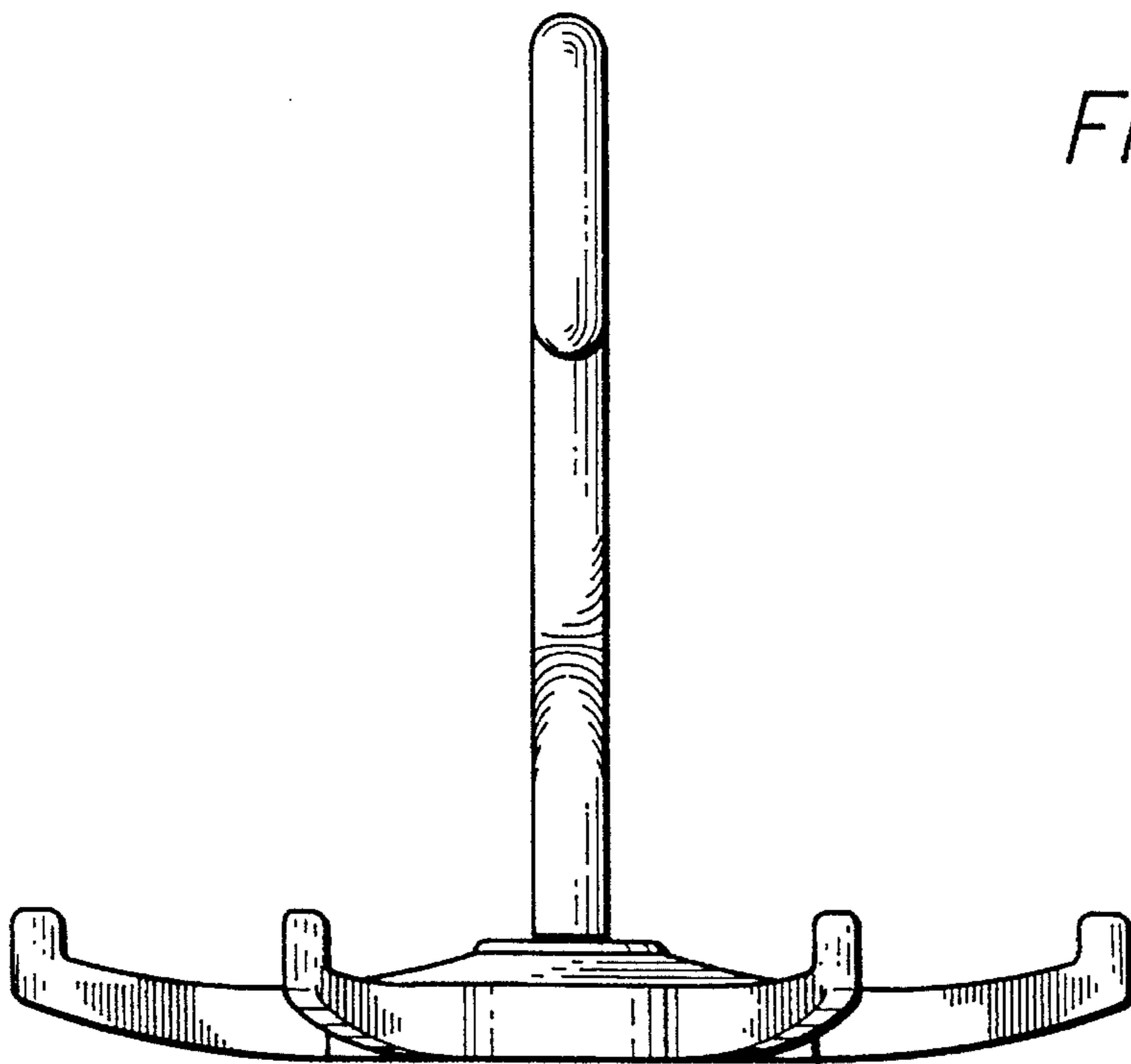


FIG. 1

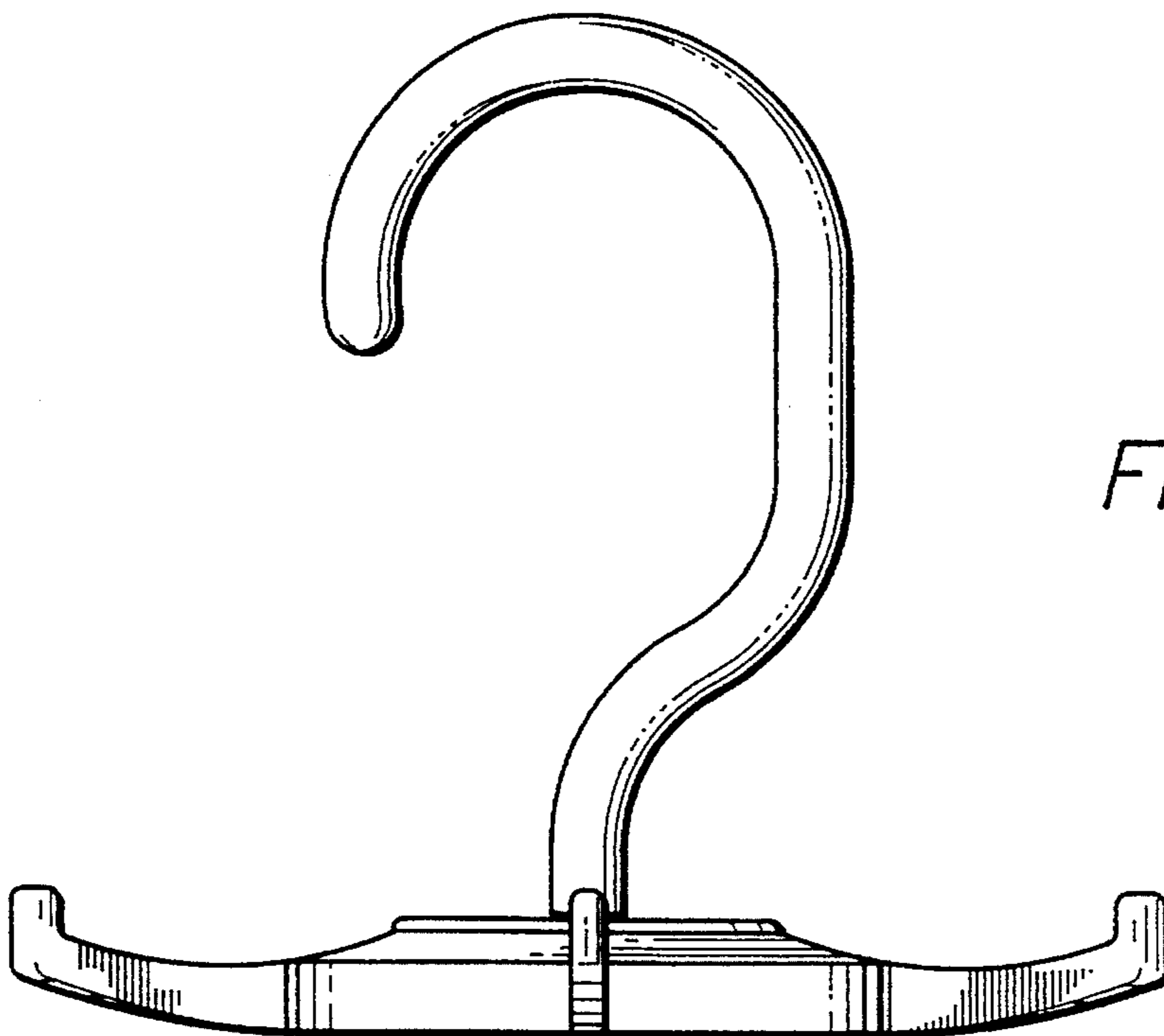


FIG. 2

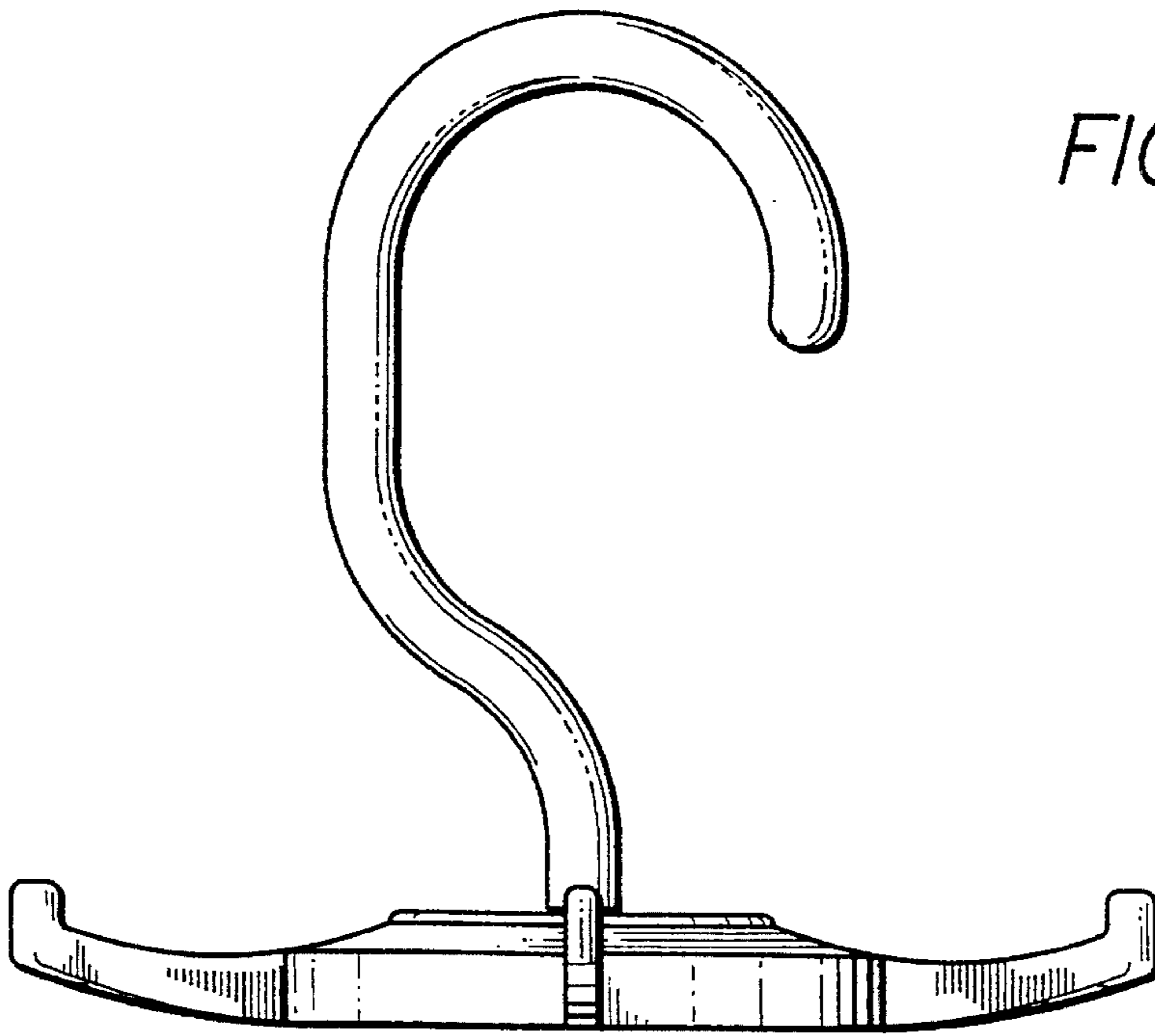


FIG. 3

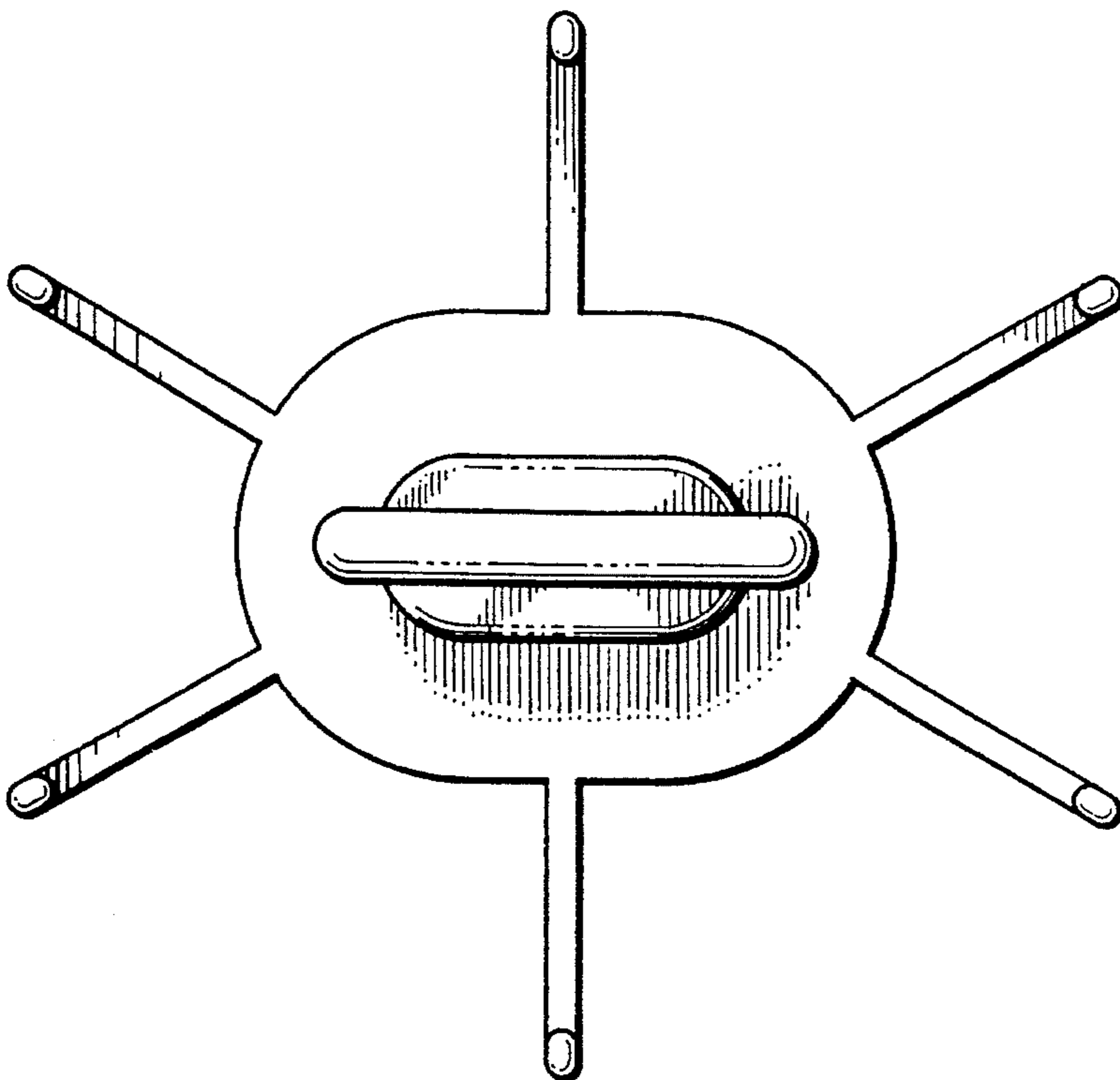


FIG. 4

*FIG. 5*

