



US00D369906S

# United States Patent [19] Henrie

[11] Patent Number: **Des. 369,906**

[45] Date of Patent: **\*\*May 21, 1996**

## [54] CLEANING BRUSH FOR TIRES

[76] Inventor: **Jim Henrie**, 746 E. 100 North, Orem, Utah 84057

[\*\*] Term: **14 Years**

[21] Appl. No.: **33,349**

[22] Filed: **Jan. 10, 1995**

[52] U.S. Cl. .... **D4/129**

[58] Field of Search ..... D4/129, 130, 132, D4/135, 138; D32/52; 15/143.1, 159.1, 160, 186, 187, 235.4, 235.6; D8/45, 90

## [56] References Cited

### U.S. PATENT DOCUMENTS

D. 235,592	7/1995	Kirk	.....	D4/129
D. 360,763	8/1995	Camp, Jr. et al.	.....	D4/138
2,802,229	8/1957	Bangs	.....	15/143.1
2,910,714	11/1959	Becker	.....	D32/52 X

### OTHER PUBLICATIONS

The Milwaukee Brush Manufacturing Co., Catalog No. 36-R-7; Jumbo Solid Block Brush, p. 18 and Keg Washer Top Brush, p. 55.

*Primary Examiner*—Joel Sincavage

*Assistant Examiner*—Lavone Tabor

*Attorney, Agent, or Firm*—Gary D. E. Pierce; Berne S. Broadbent; A. John Pate

## [57] CLAIM

The ornamental design for a cleaning brush for tires, as shown and described.

## DESCRIPTION

FIG. 1 is a perspective view of a cleaning brush for tires showing a first embodiment of my new design;

FIG. 2 is a right side elevational view of the embodiment of FIG. 1;

FIG. 3 is a left side elevational view of the embodiment of FIG. 1;

FIG. 4 is a front elevational view of the embodiment of FIG. 1;

FIG. 5 is a rear elevational view of the embodiment of FIG. 1;

FIG. 6 is a top plan view of the embodiment of FIG. 1;

FIG. 7 is a bottom plan view of the embodiment of FIG. 1;

FIG. 8 is a perspective view of a second embodiment of my new design;

FIG. 9 is a right side elevational view of FIG. 8;

FIG. 10 is a left side elevational view of FIG. 8;

FIG. 11 is a front elevational view of FIG. 8;

FIG. 12 is a rear elevational view of FIG. 8;

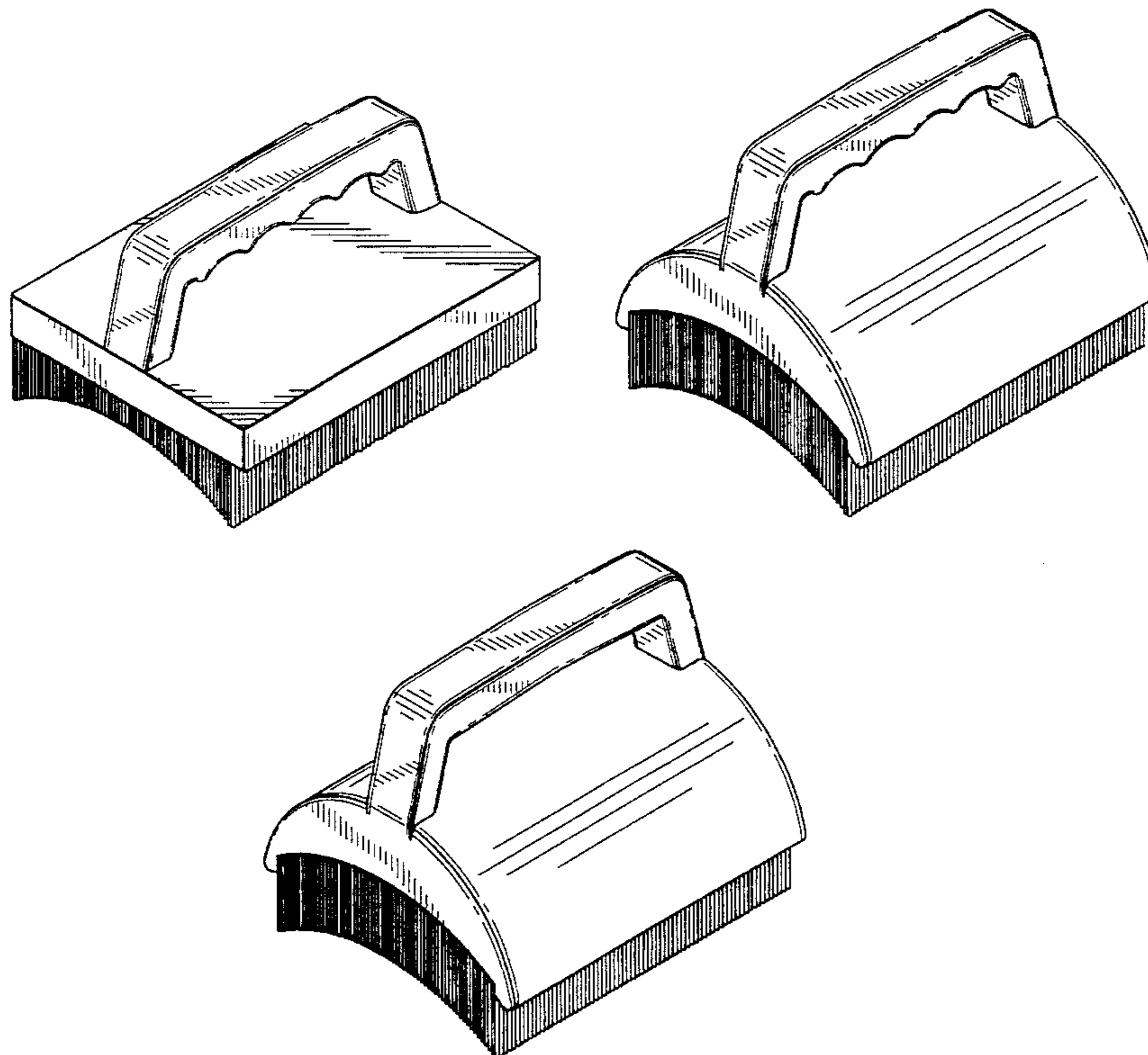
FIG. 13 is a top plan view of FIG. 8;

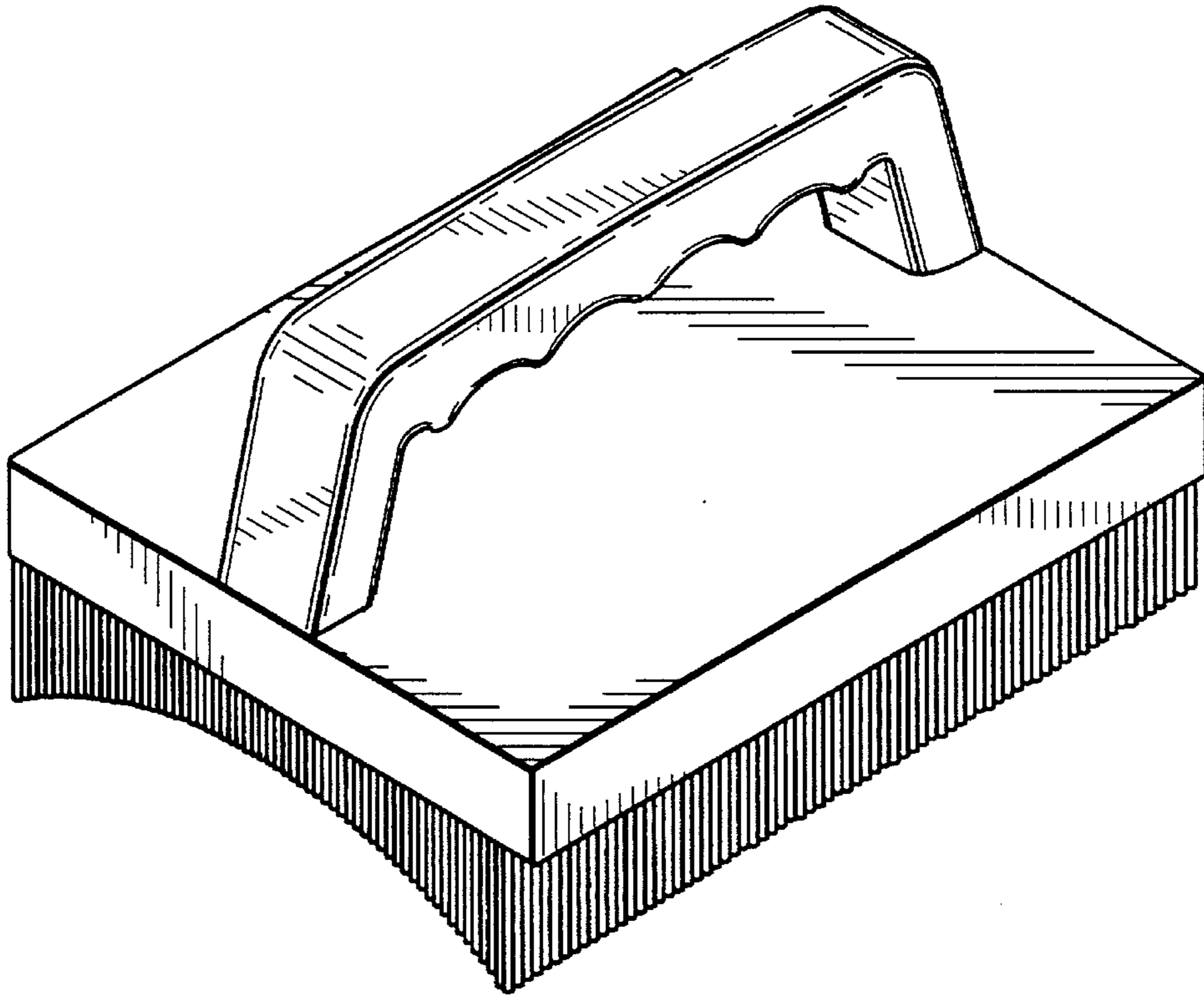
FIG. 14 is a bottom plan view of FIG. 8;

FIG. 15 is a perspective view of a third embodiment of my new design, with the undisclosed rear being the same in appearance as the front shown and the undisclosed bottom being the same in appearance as the bottom shown in FIG. 14; and,

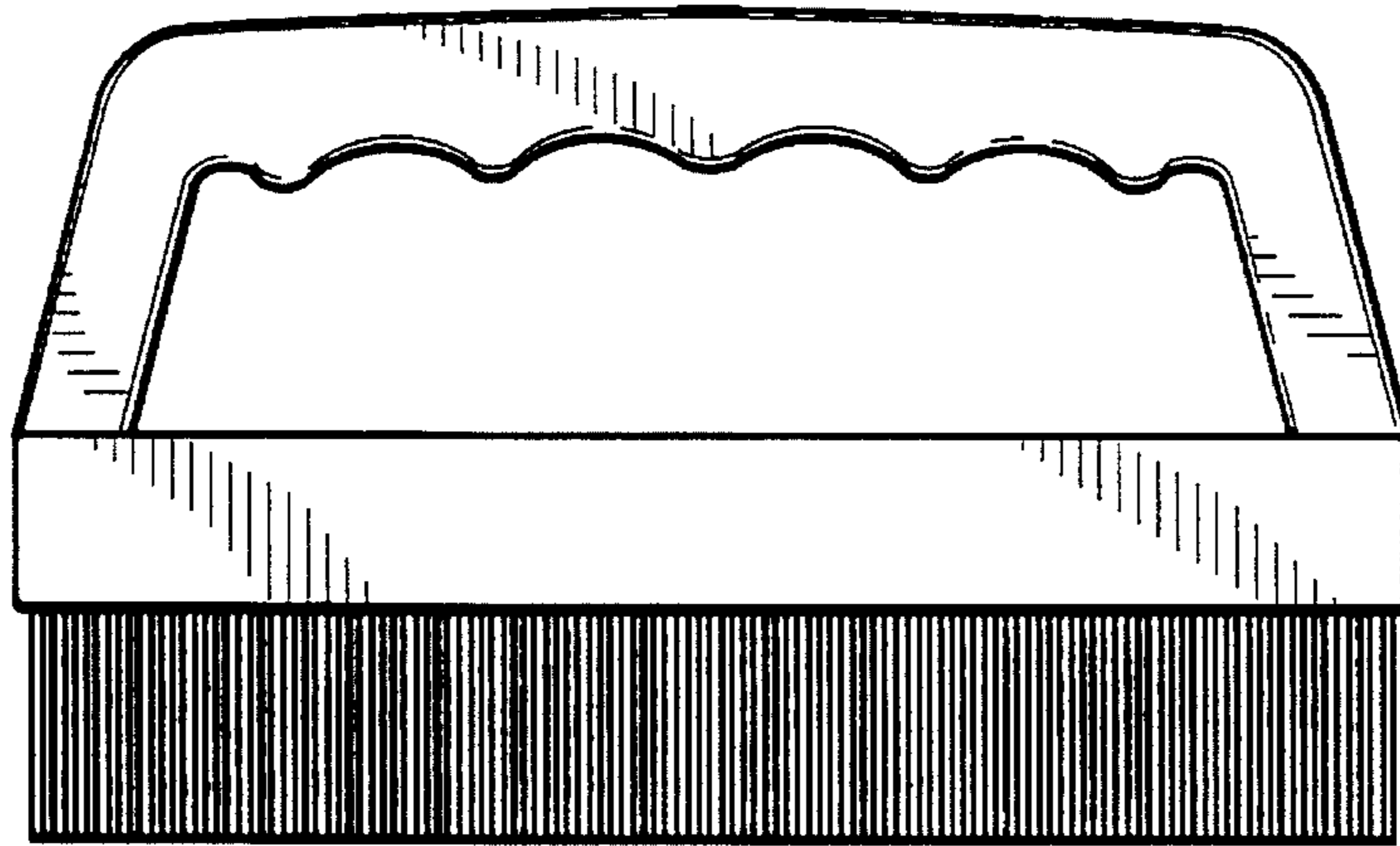
FIG. 16 is a side elevational view of FIG. 15, the opposite side being the same in appearance.

1 Claim, 7 Drawing Sheets

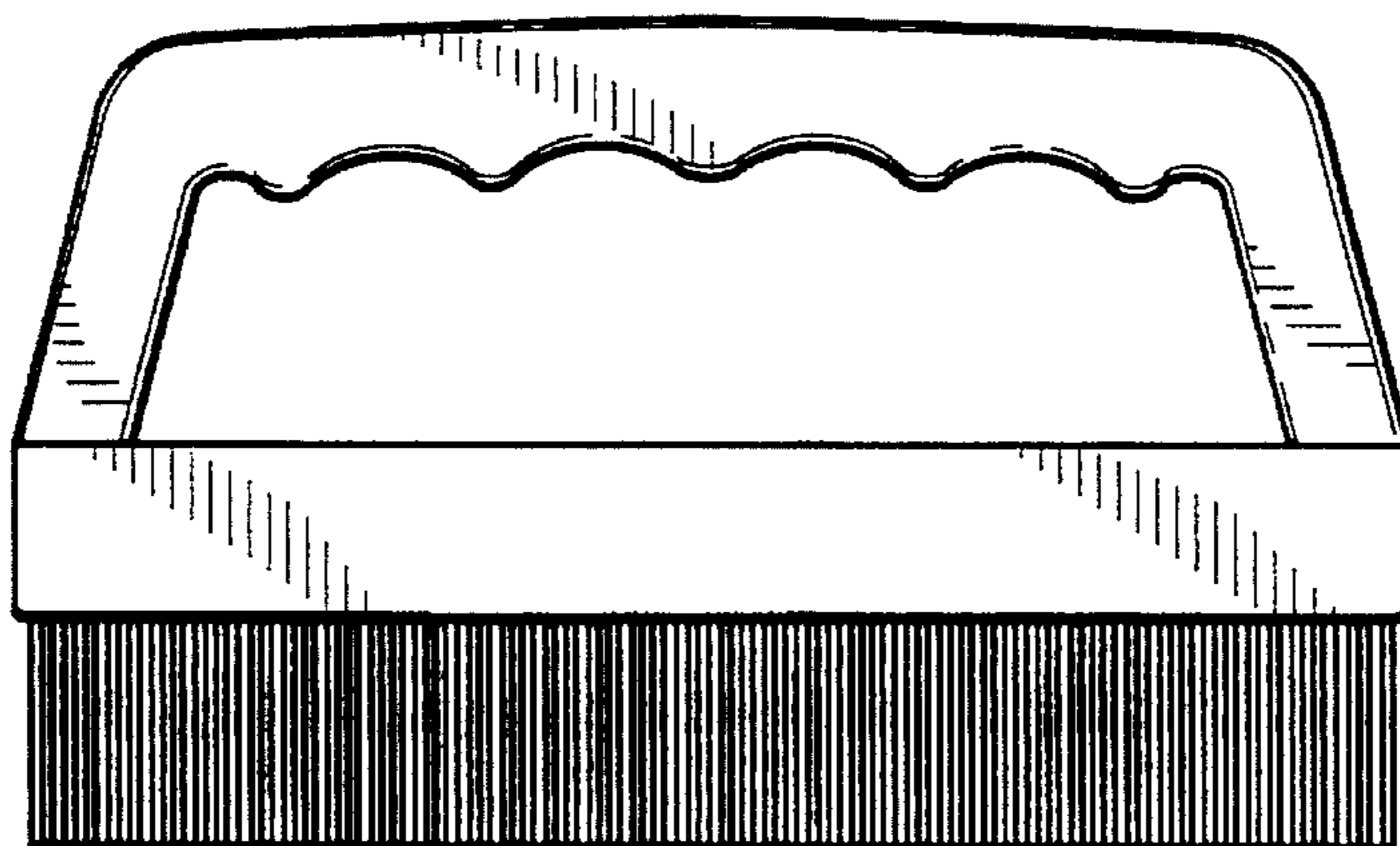




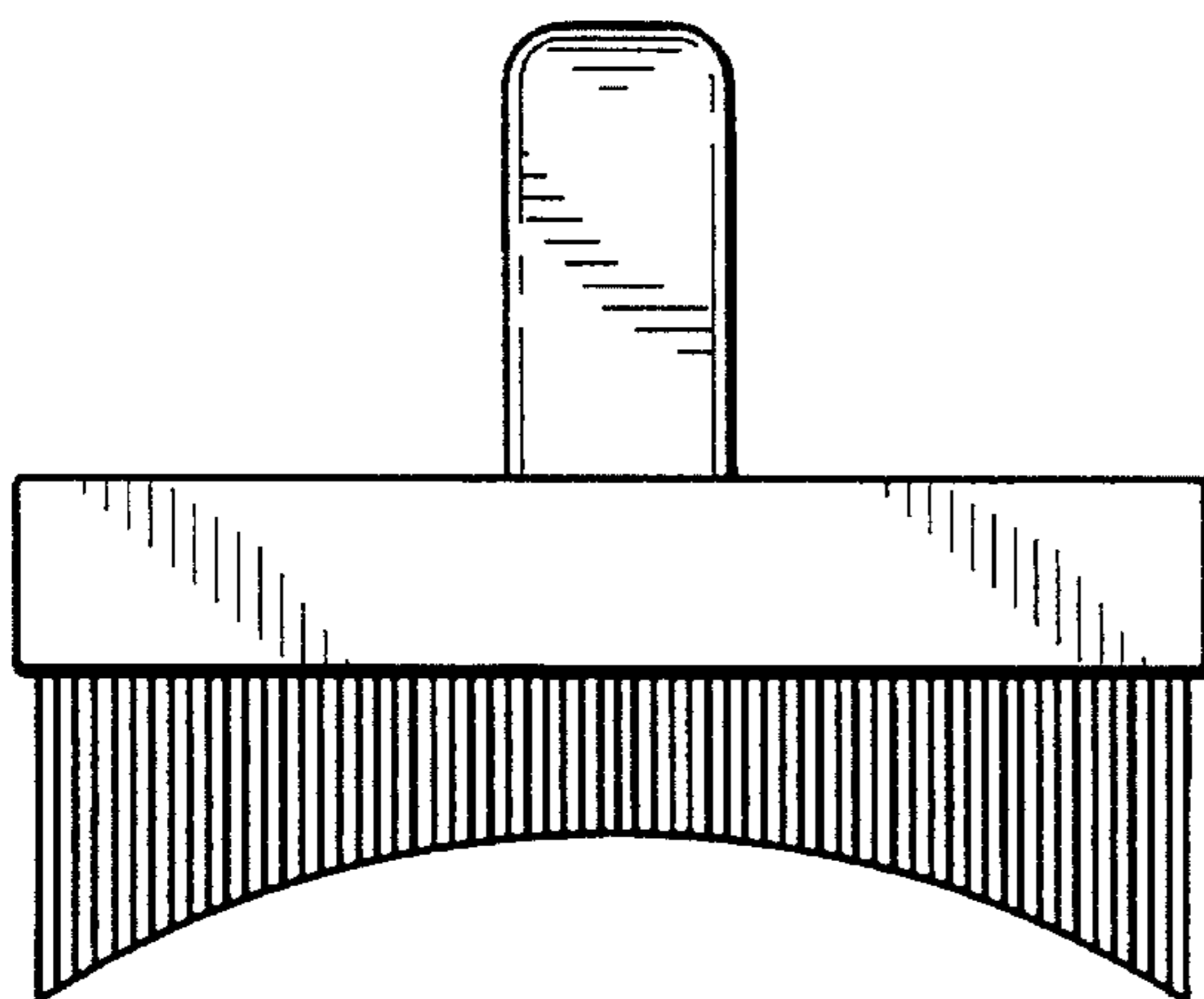
*Fig. 1*



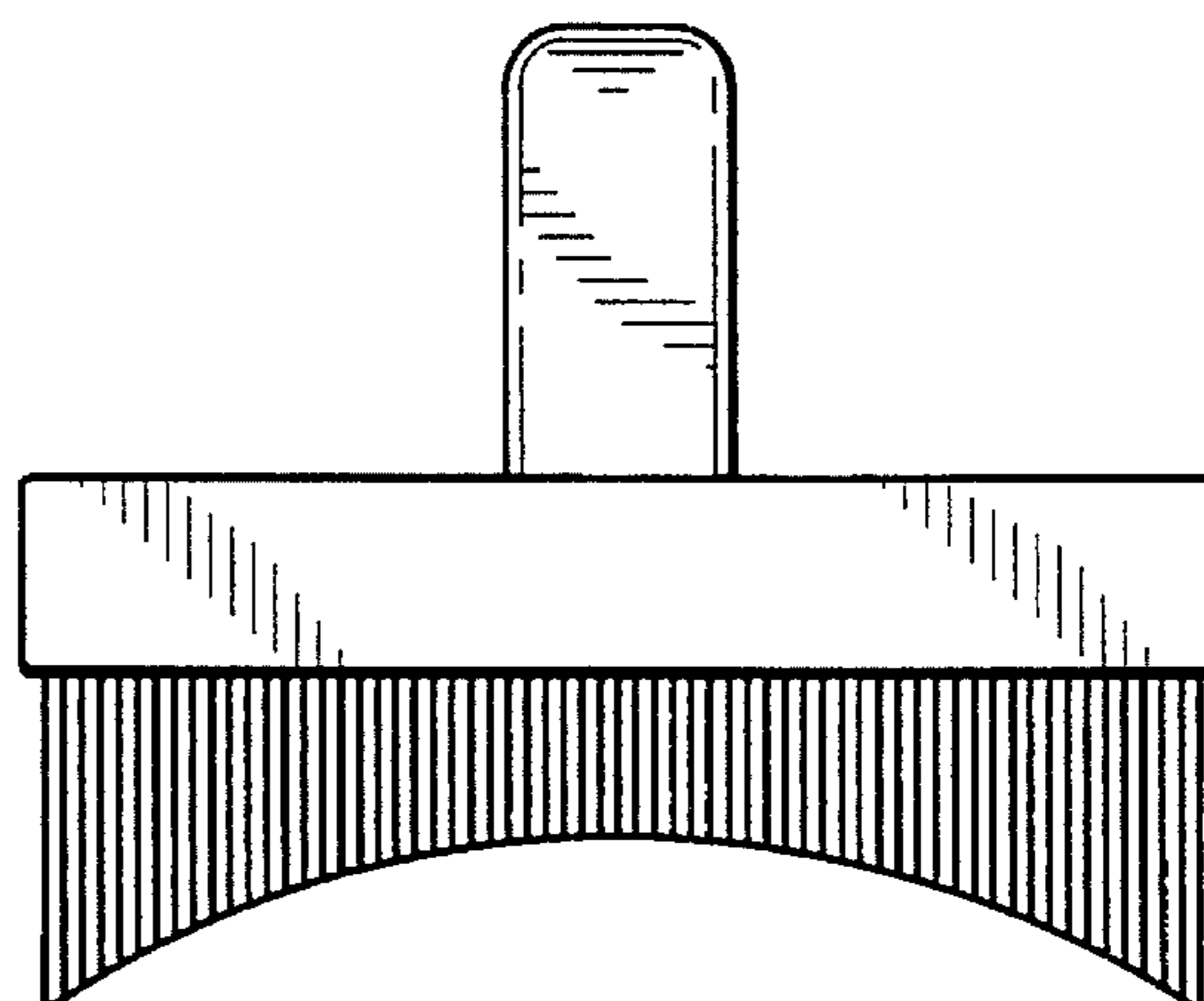
*Fig. 2*



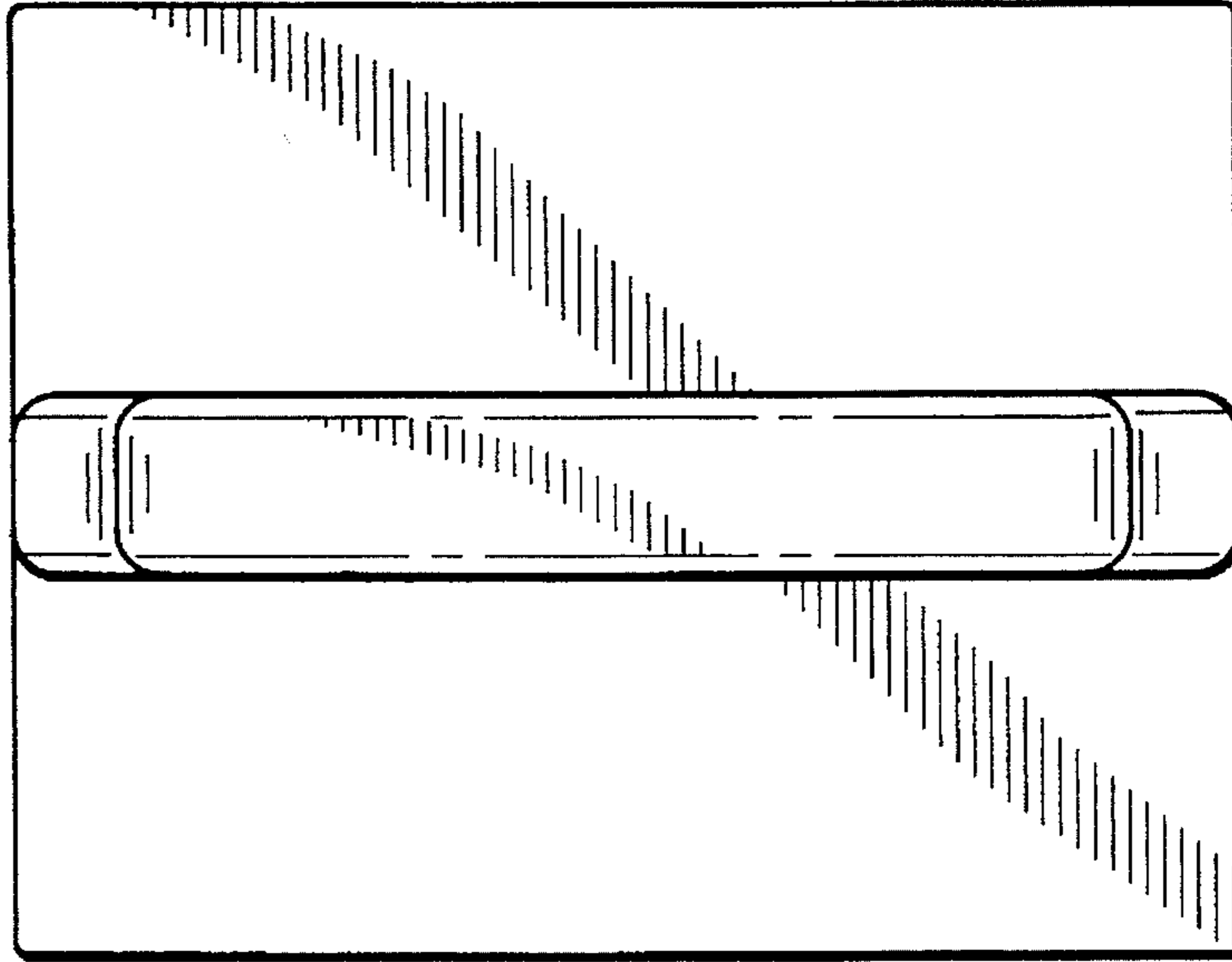
*Fig. 3*



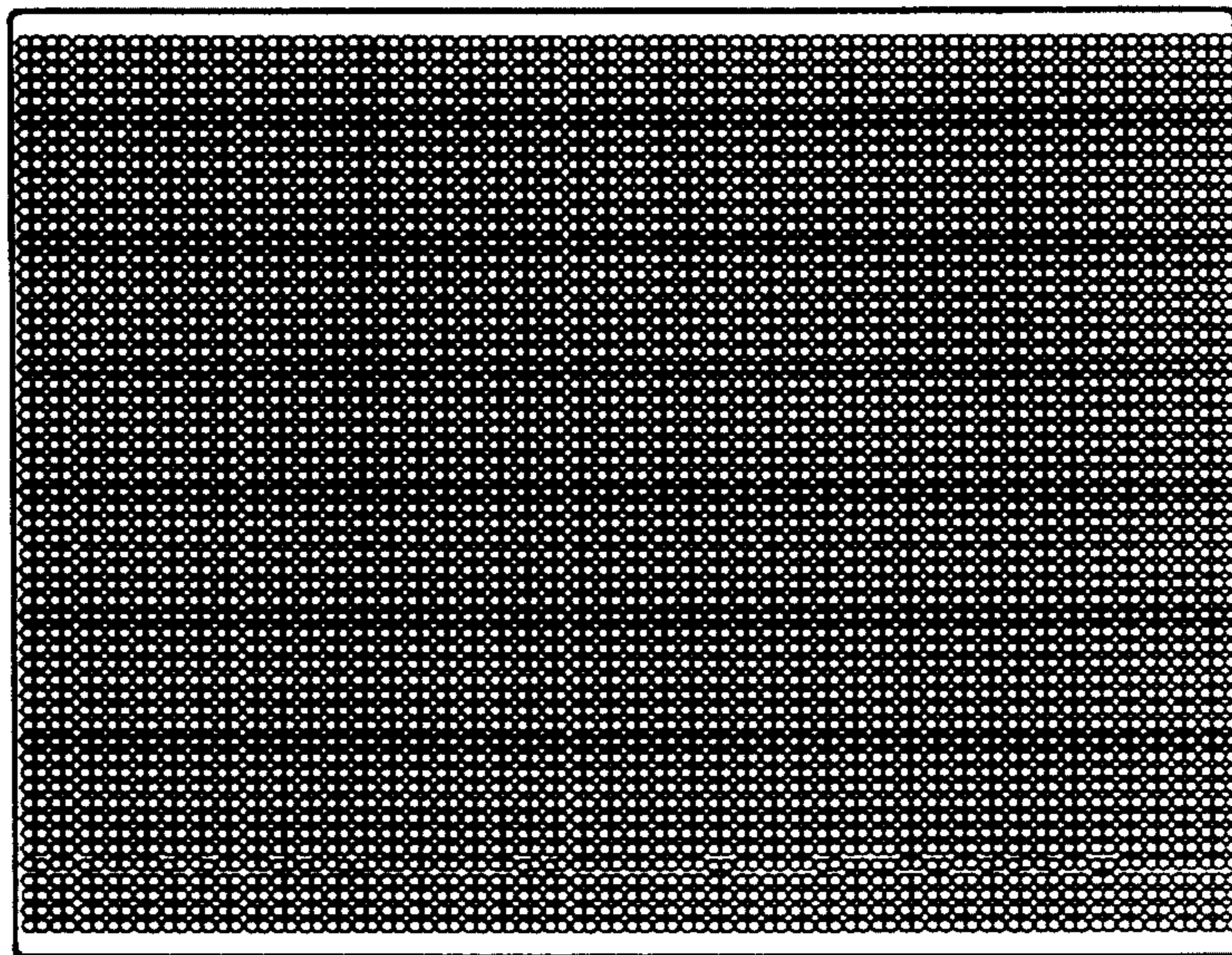
*Fig. 4*



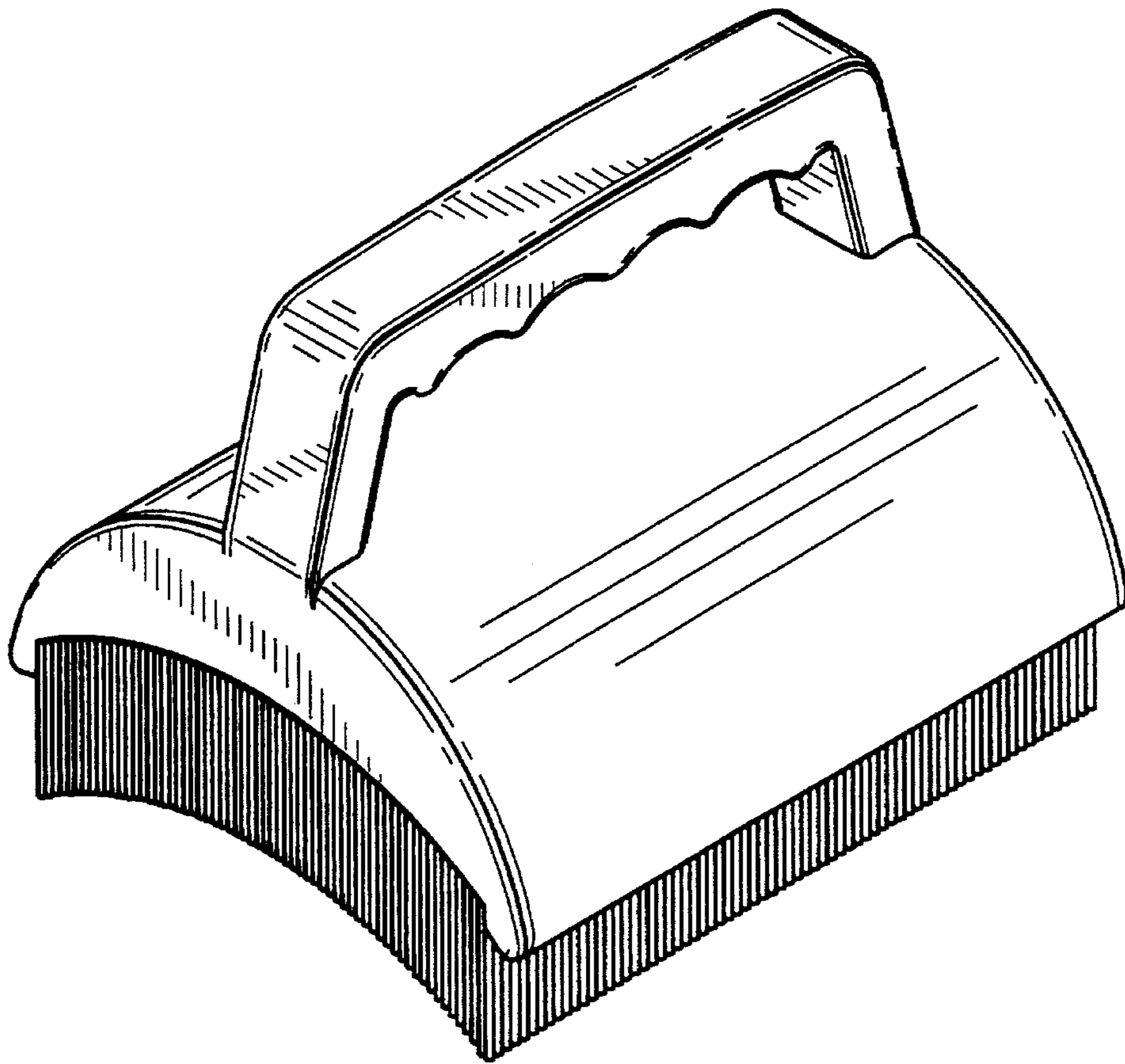
*Fig. 5*



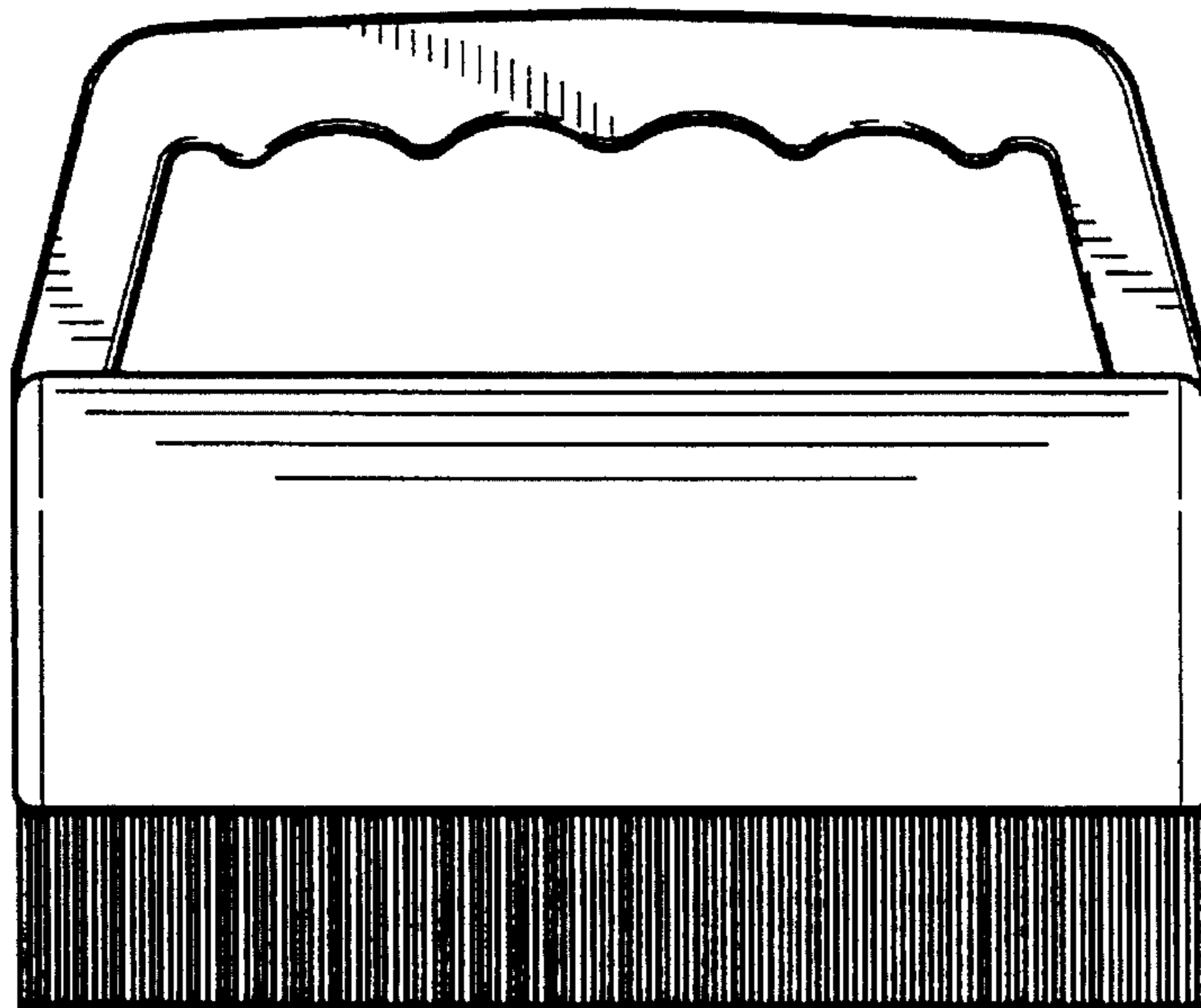
*Fig. 6*



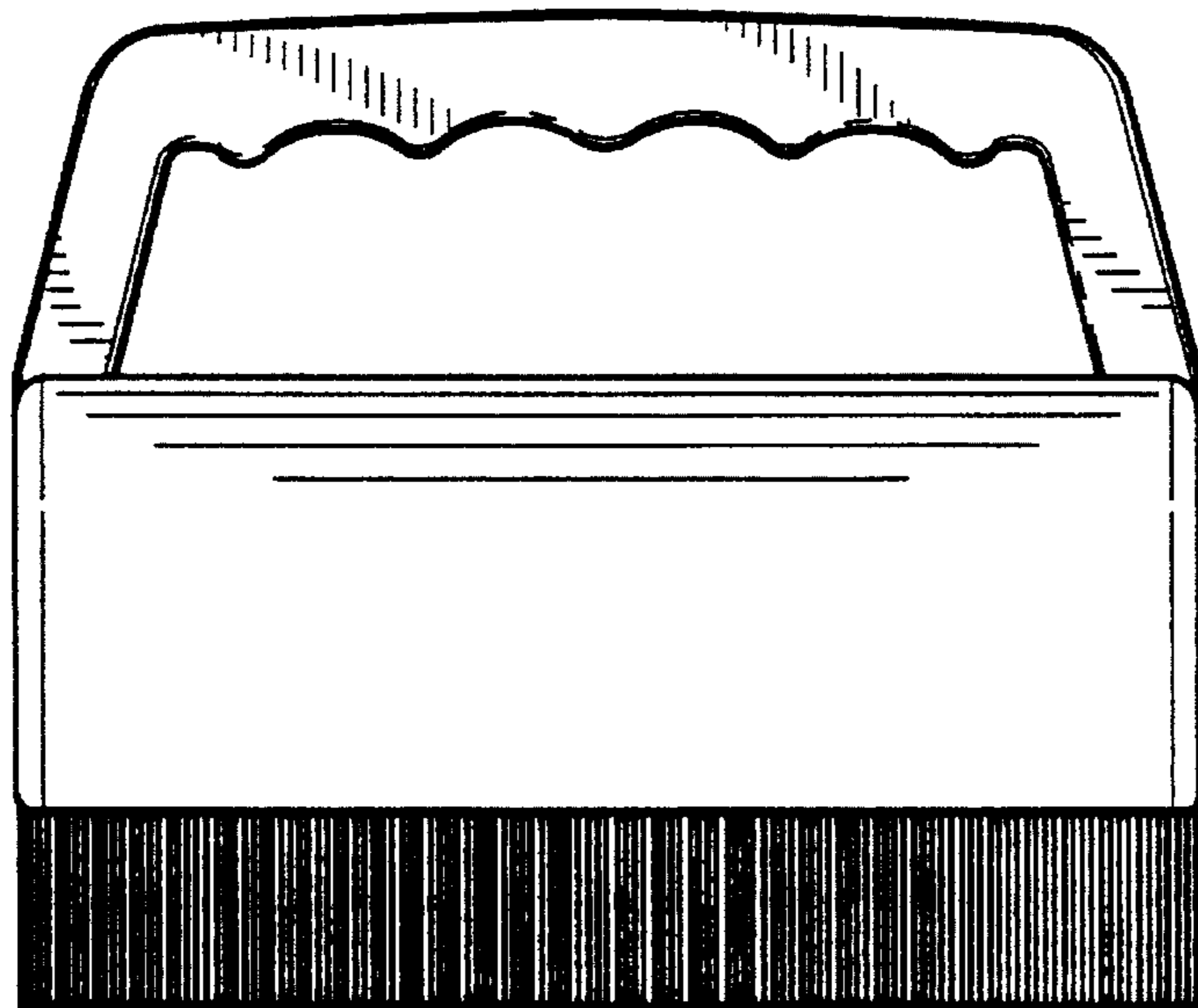
*Fig. 7*



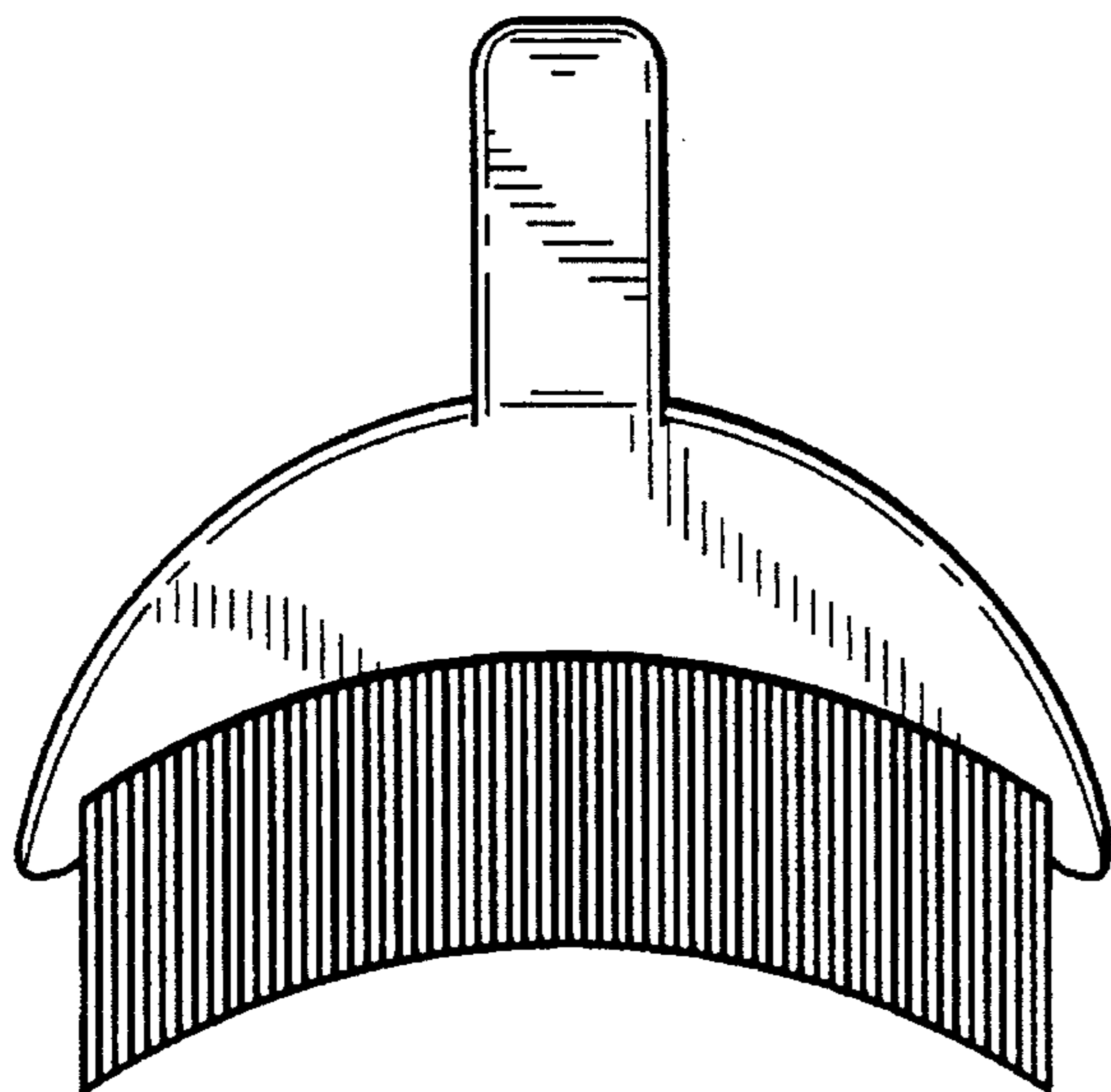
**Fig. 8**



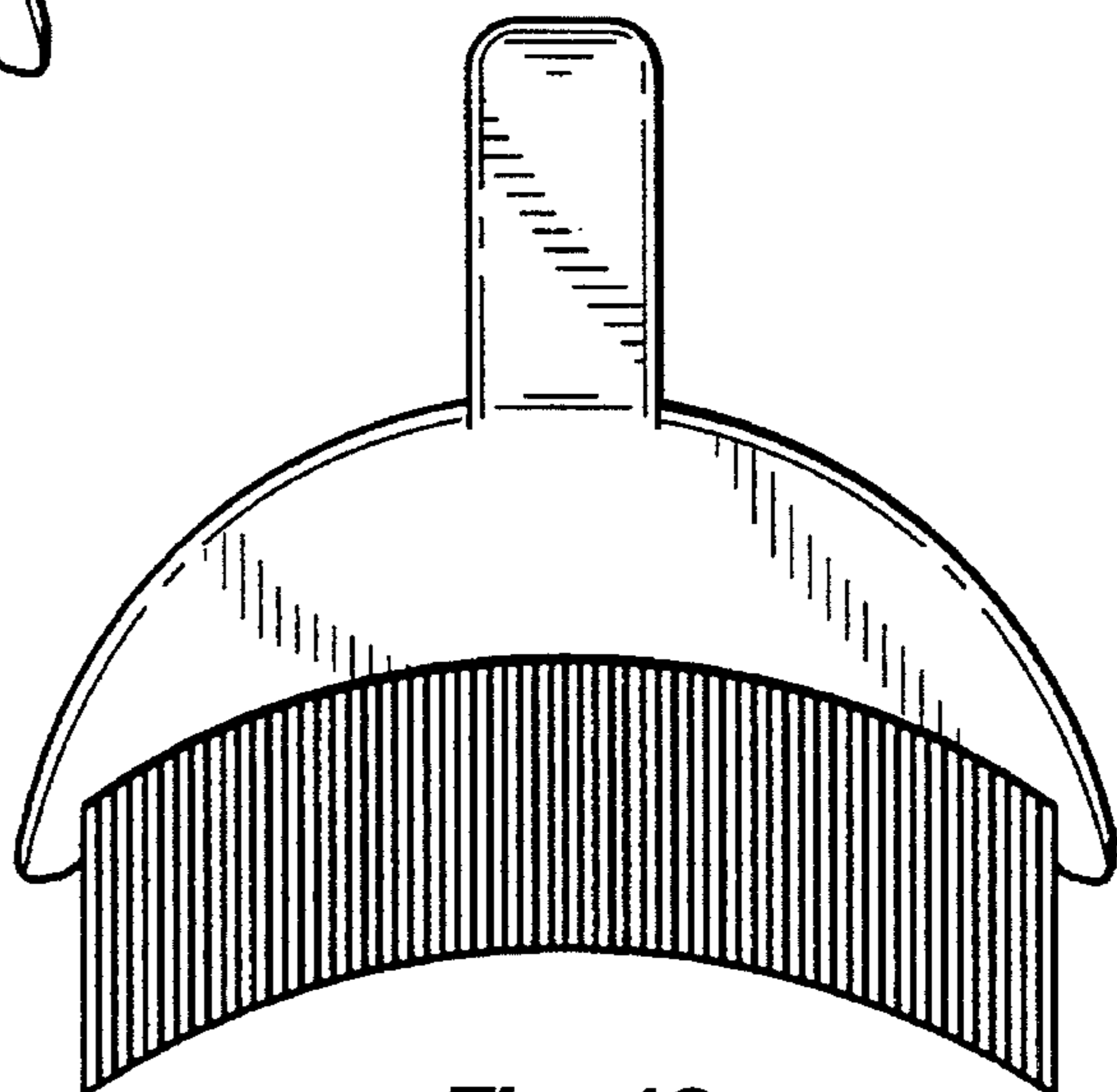
**Fig. 9**



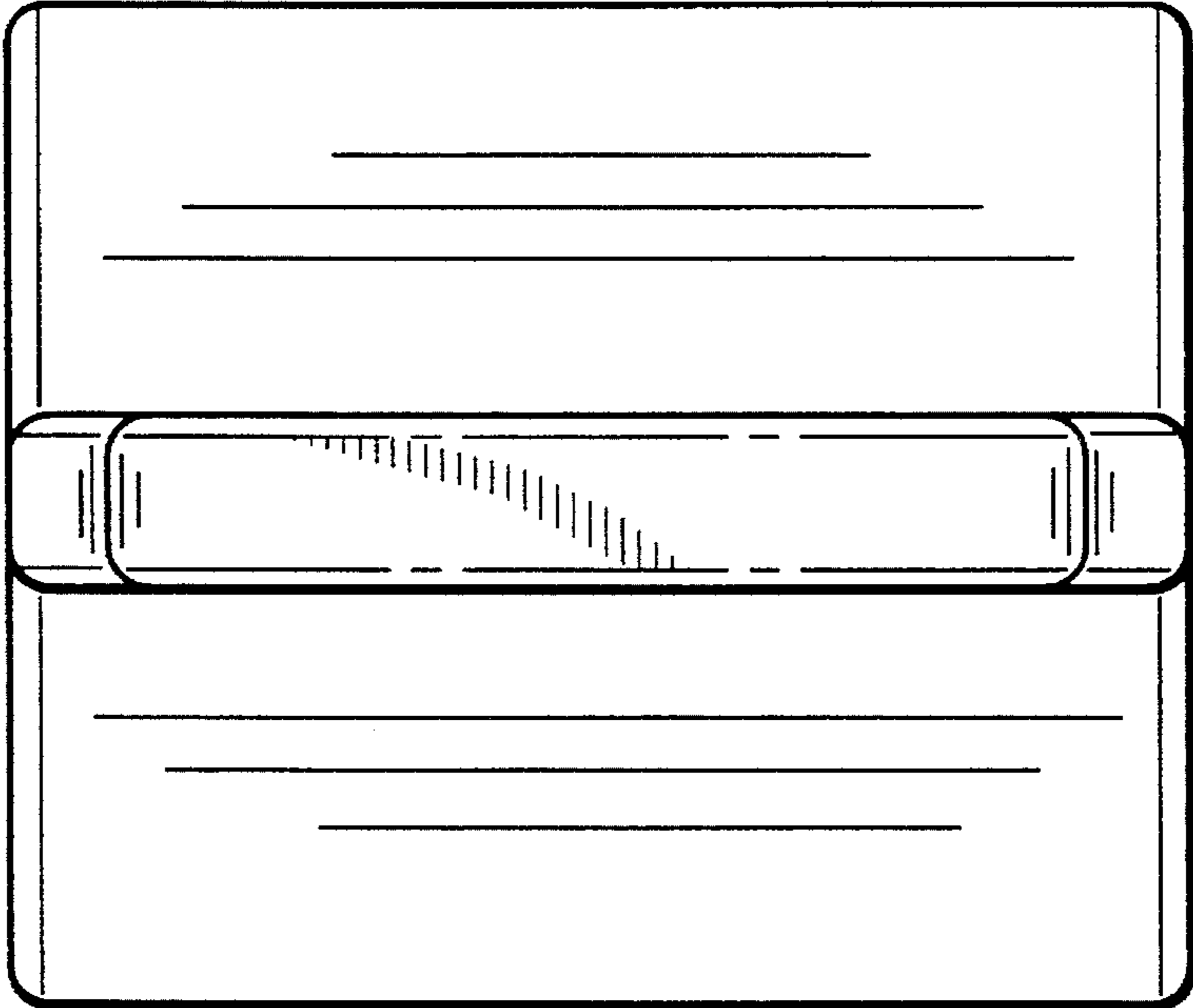
**Fig. 10**



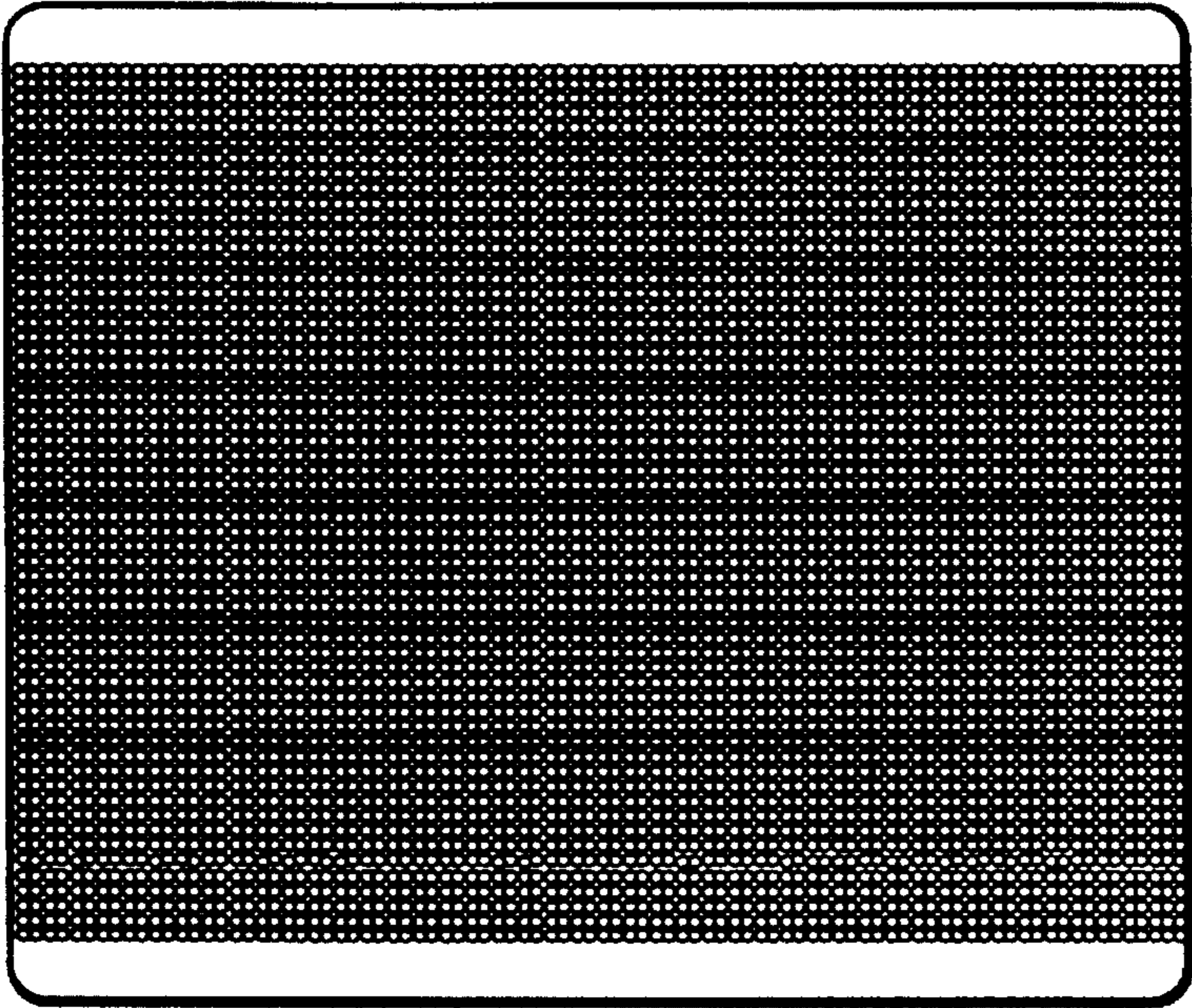
**Fig. 11**



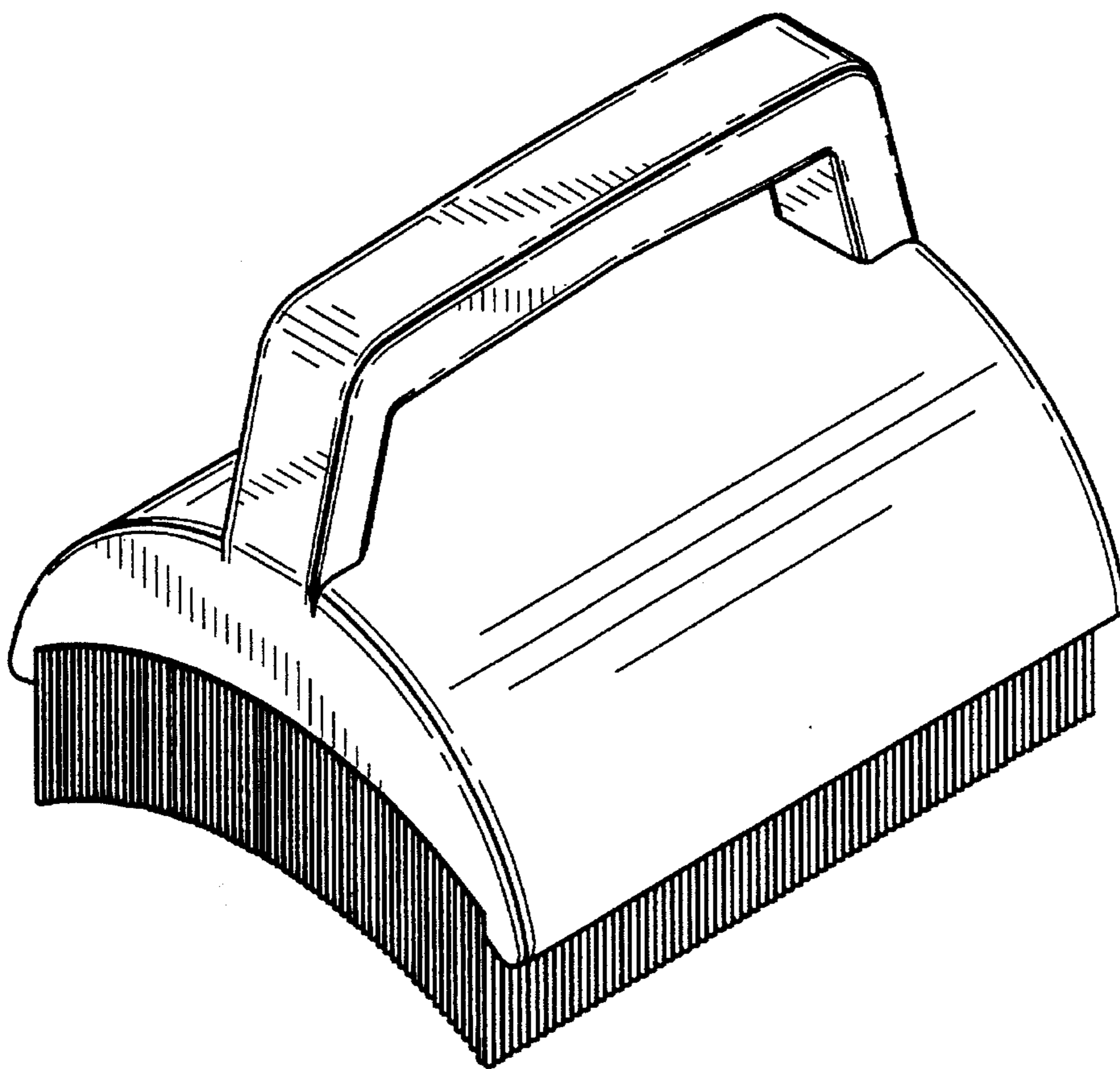
**Fig. 12**



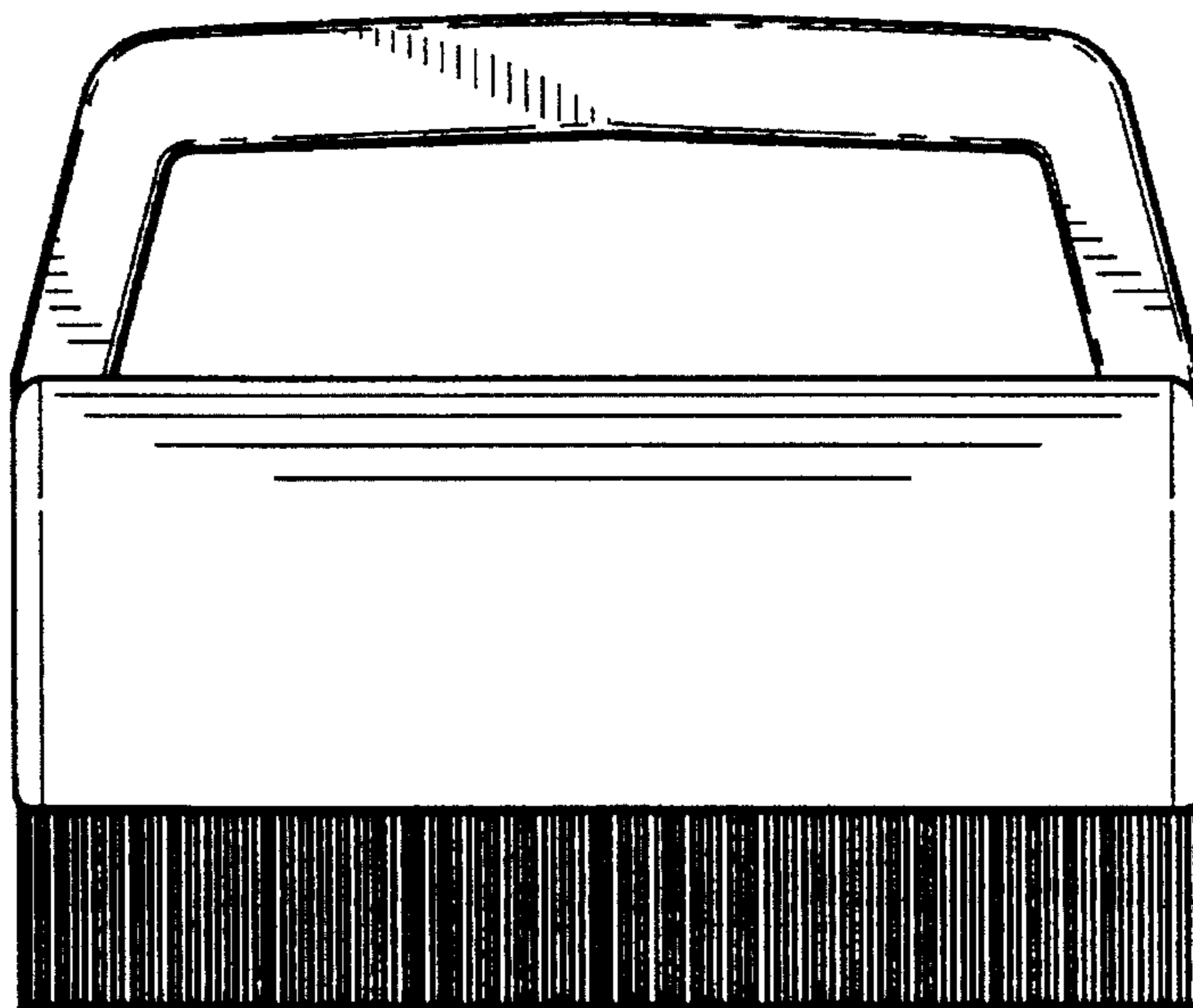
**Fig. 13**



**Fig. 14**



**Fig. 15**



**Fig. 16**