



US00D369905S

United States Patent [19] Hunt

[11] Patent Number: **Des. 369,905**

[45] Date of Patent: ****May 21, 1996**

[54] STORAGE CONTAINER

5,184,718 2/1993 Albert 206/83

[76] Inventor: **Ricardo Hunt**, 2316 Camden Cir.,
Valdosta, Ga. 31602

Primary Examiner—Philip S. Hyder
Attorney, Agent, or Firm—Michael I. Kroll

[**] Term: **14 Years**

[57] **CLAIM**

[21] Appl. No.: **27,642**

The ornamental design for a storage container, as shown and described.

[22] Filed: **Aug. 26, 1994**

DESCRIPTION

[52] U.S. Cl. **D3/273; D3/294**

[58] Field of Search D3/273, 269, 294;
D6/523, 559, 518; D32/25; 206/37, 38,
83, 389, 338, 339, 459.1; D9/420

FIG. 1 is a top plan view of a storage container showing my new design;

FIG. 2 is a left side elevational view thereof, the right side view being a mirror image;

FIG. 3 is a front elevational view of a storage container showing my new design;

FIG. 4 is a bottom plan view of a storage container showing my new design;

FIG. 5 is a rear elevational view of a storage container showing my new design; and,

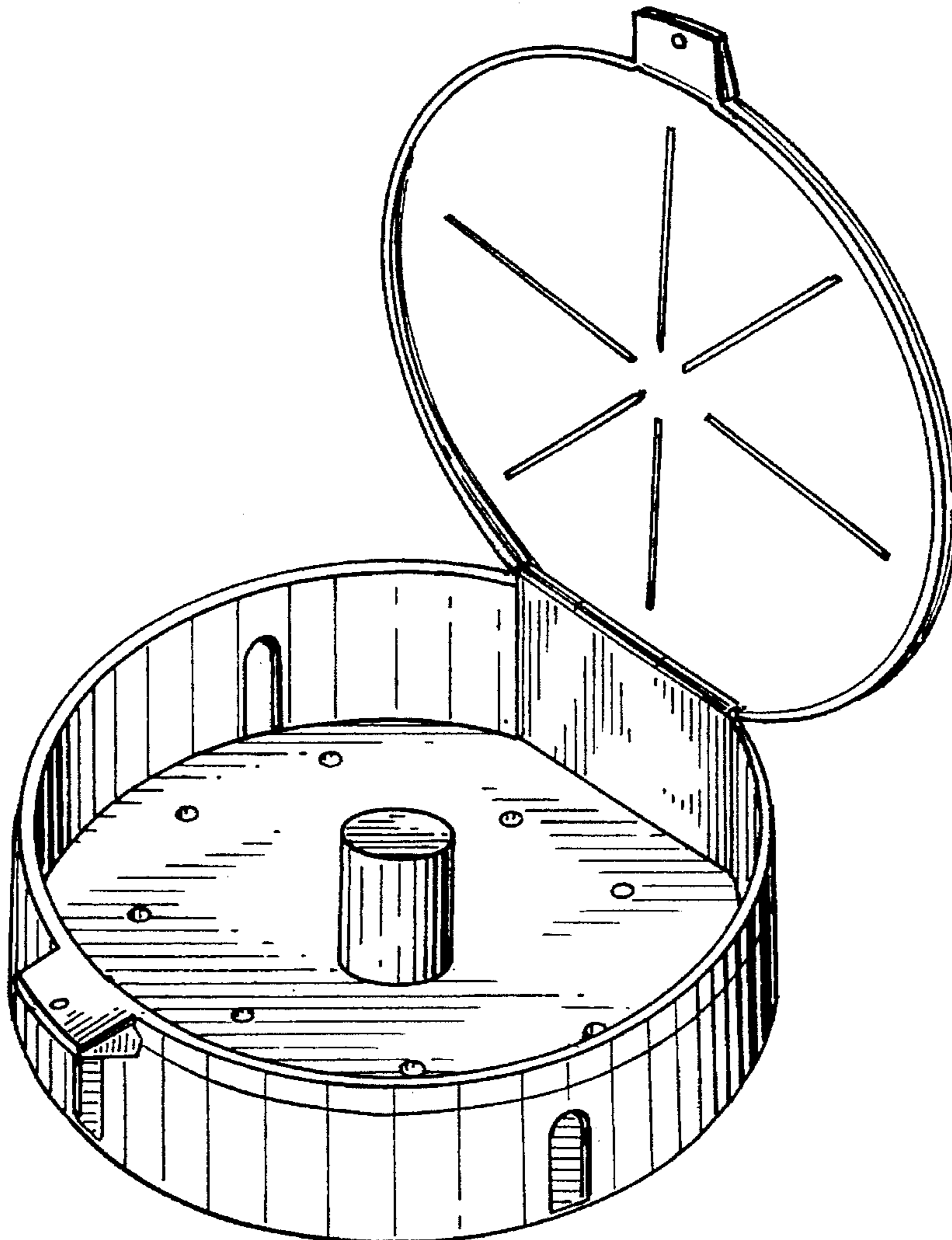
FIG. 6 is a top perspective view in the open position of a storage container showing my new design.

[56] References Cited

U.S. PATENT DOCUMENTS

D. 303,584	9/1989	Bakic	D28/91
D. 309,358	7/1990	Machelett	D28/78
D. 315,652	3/1991	Sigmund	D6/523
D. 322,031	12/1991	Fleming	D3/294
D. 326,973	6/1992	Froidevaux	D6/523
D. 351,520	10/1994	Frazier et al.	D6/523
5,000,204	3/1991	Smith	206/38

1 Claim, 2 Drawing Sheets



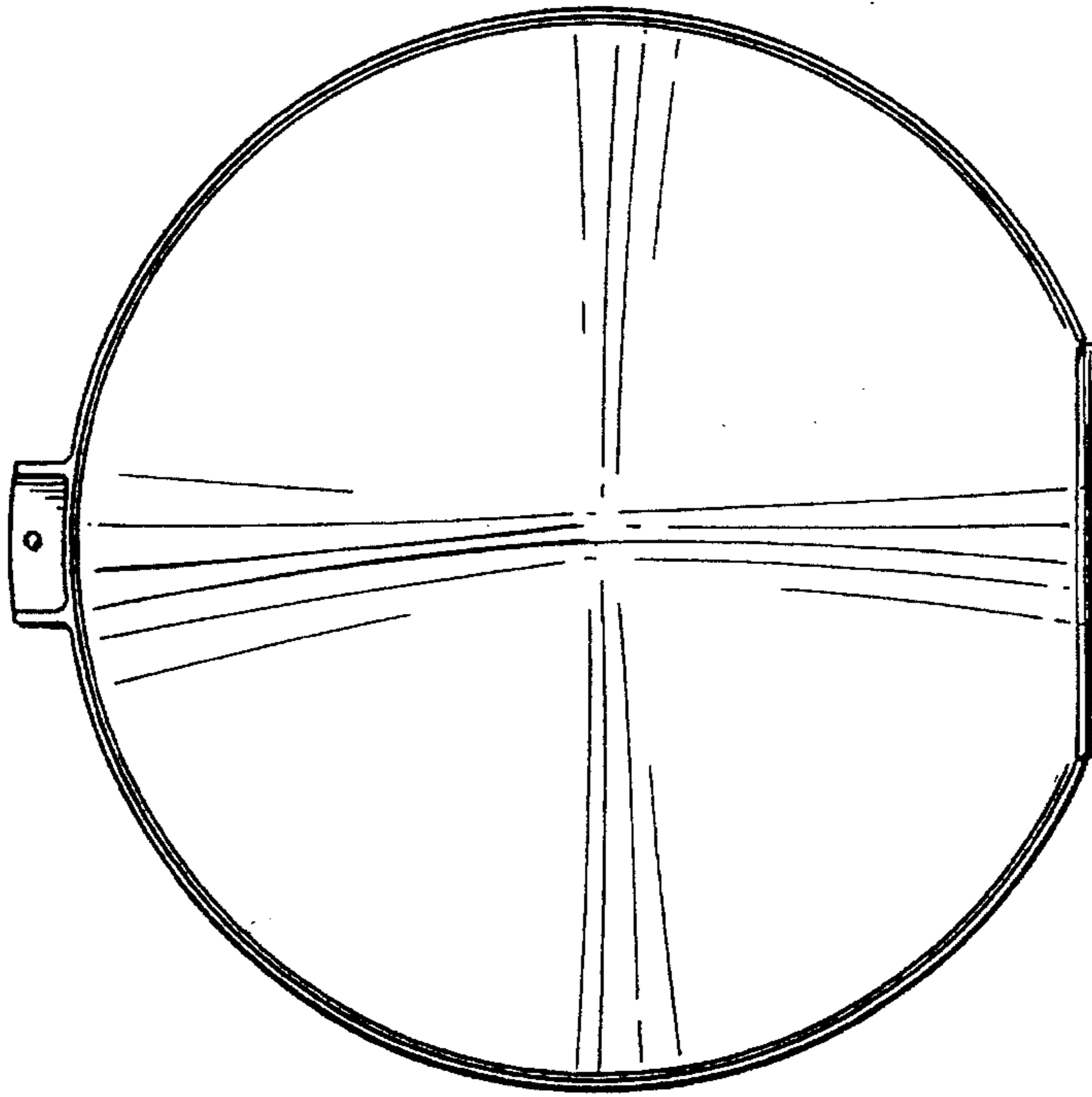


Fig. 1

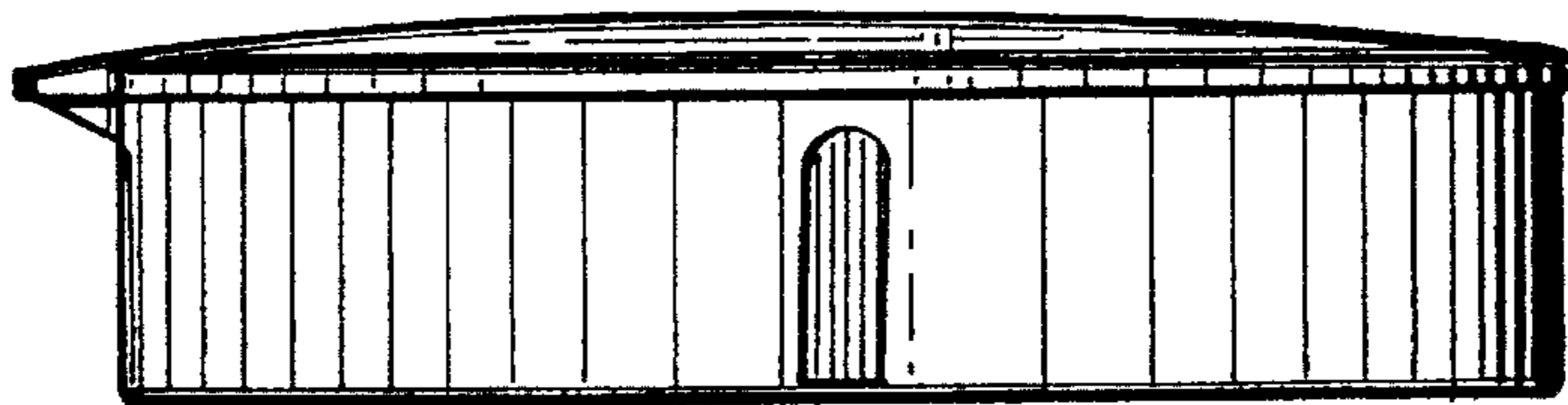


Fig. 2

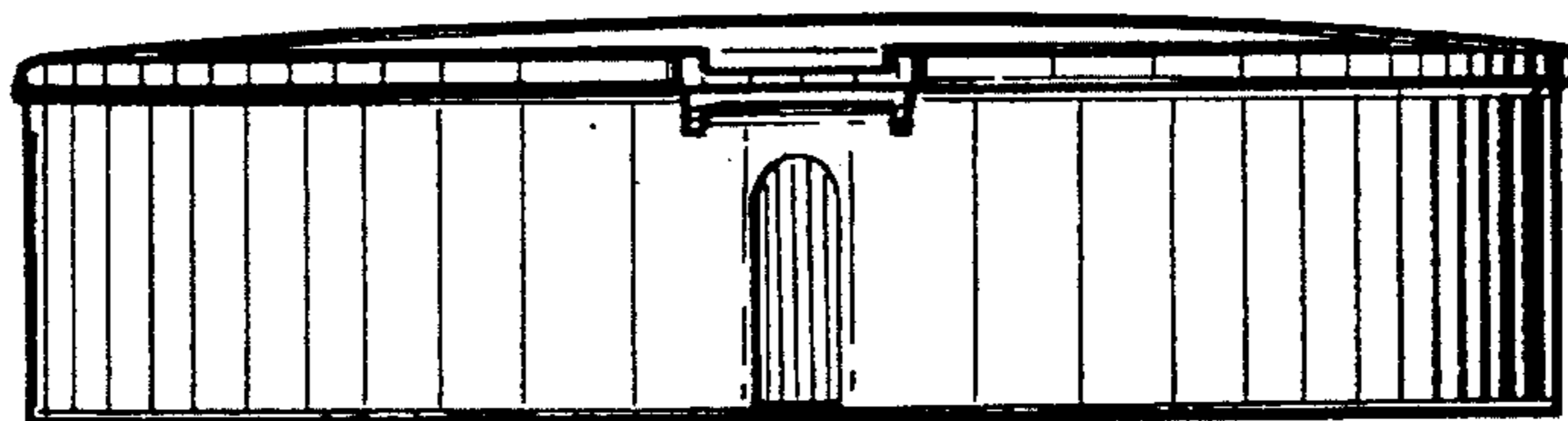


Fig. 3

Fig. 4

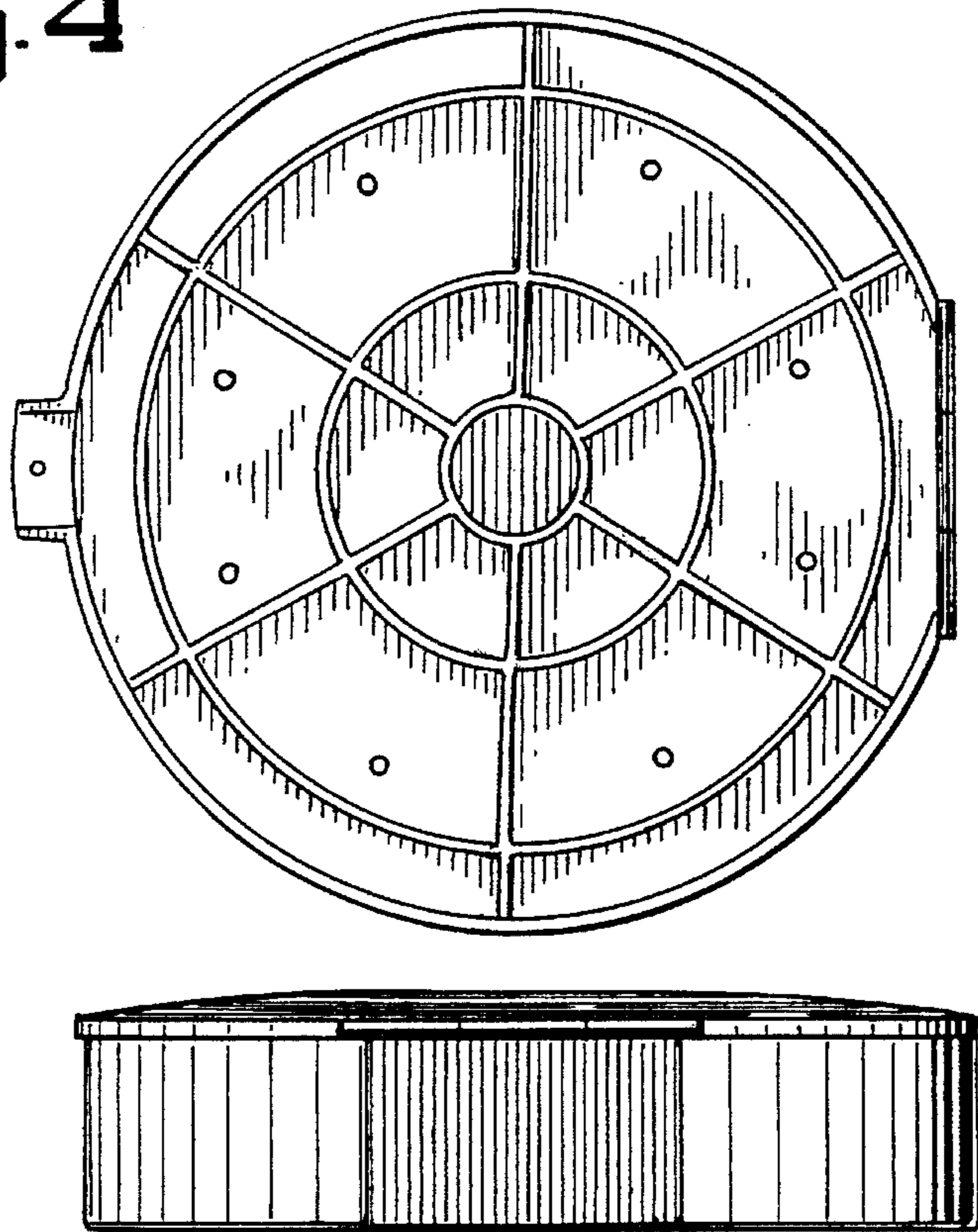


Fig. 5

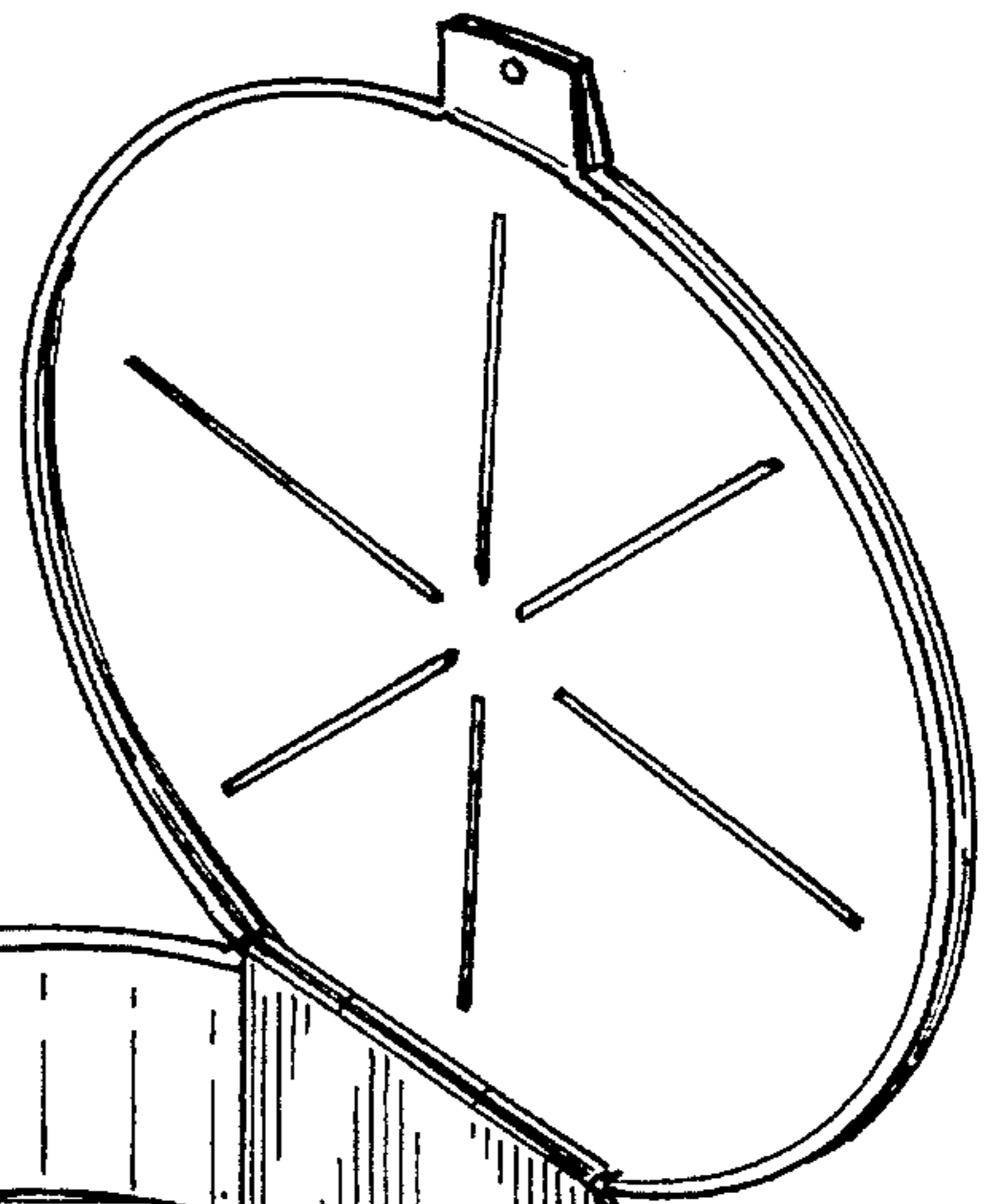


Fig. 6

