



US00D369904S

**United States Patent** [19]  
**Taylor**

[11] **Patent Number: Des. 369,904**

[45] **Date of Patent: \*\*May 21, 1996**

[54] **OPEN FACE TACKLE BOX**

5,058,302 10/1991 Minneman ..... 206/315.11 X  
5,402,596 4/1995 Gillming, Jr. .... 206/315.11 X

[76] Inventor: **Charles W. Taylor**, 101 Pimlico St.,  
Apt. 33, Long Beach, Miss. 39560

*Primary Examiner*—Doris V. Coles  
*Assistant Examiner*—Catherine R. Oliver  
*Attorney, Agent, or Firm*—Pravel, Hewitt, Kimball &  
Krieger

[\*\*] Term: **14 Years**

[21] Appl. No.: **35,798**

[57] **CLAIM**

[22] Filed: **Mar. 7, 1995**

The ornamental design for an open face tackle box, as shown  
and described.

[52] U.S. Cl. .... **D3/260; D3/904; D3/905**

[58] **Field of Search** ..... D3/254, 260, 273,  
D3/304, 310, 904, 905, 315; D22/134,  
136, 108, 147; 206/315.11; 43/54.1, 21.2;  
224/922

**DESCRIPTION**

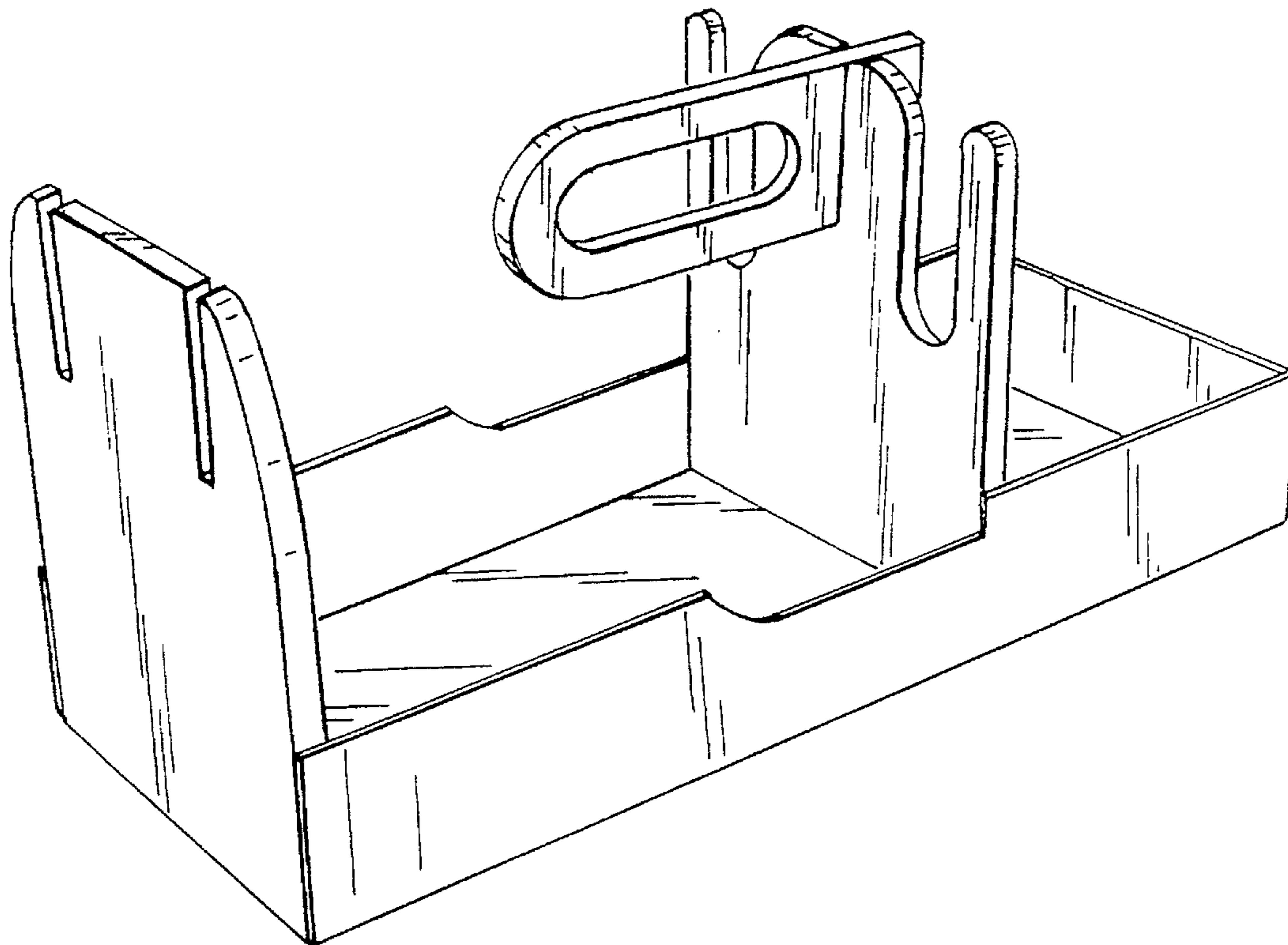
[56] **References Cited**

**U.S. PATENT DOCUMENTS**

|            |        |                   |         |
|------------|--------|-------------------|---------|
| D. 361,664 | 8/1995 | Brown .....       | D3/315  |
| 4,594,805  | 6/1986 | McClelland .....  | 43/21.2 |
| 4,676,019  | 6/1987 | Engles .....      | 43/21.2 |
| 4,953,318  | 9/1990 | Vasseur, Jr. .... | 43/21.2 |
| 4,996,790  | 3/1991 | Ruggles .....     | 43/54.1 |

FIG. 1 is an overall perspective view of the ornamental  
design of the open face tackle box;  
FIG. 2 is a side view, the opposite side being a mirror image  
thereof;  
FIG. 3 is a top plan view thereof;  
FIG. 4 is a bottom view thereof;  
FIG. 5 is a first end view thereof; and,  
FIG. 6 is a second end view thereof.

**1 Claim, 2 Drawing Sheets**



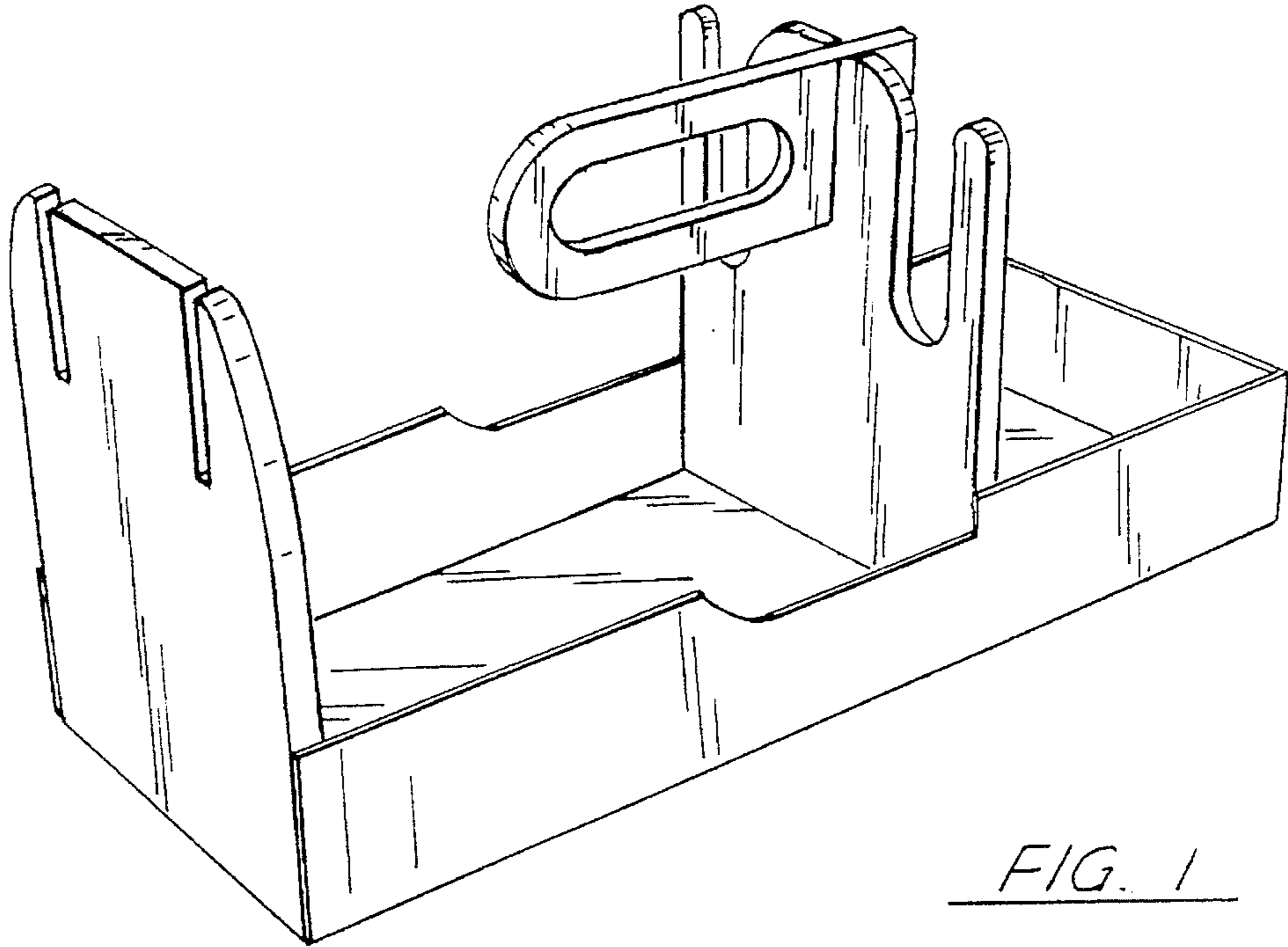


FIG. 1

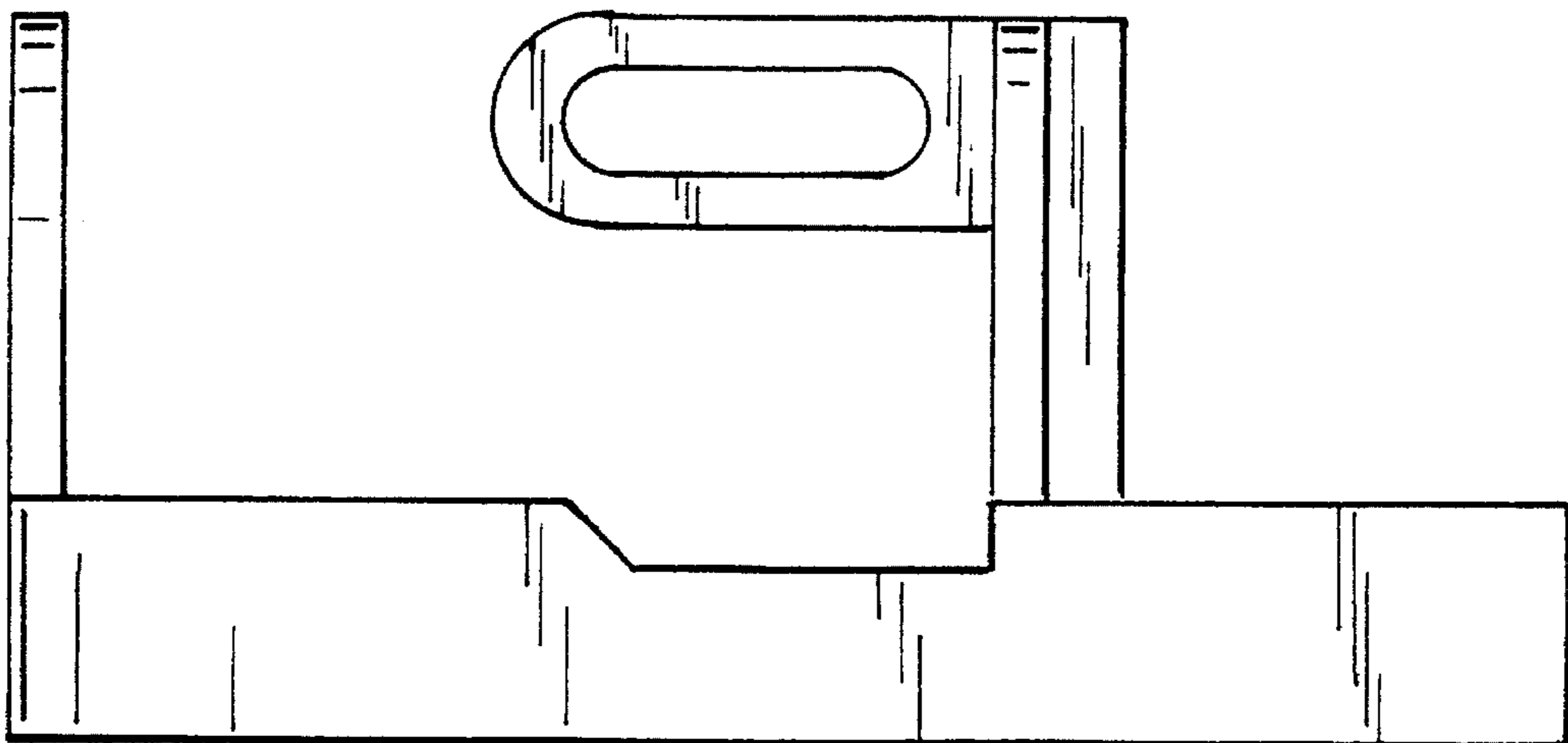


FIG. 2

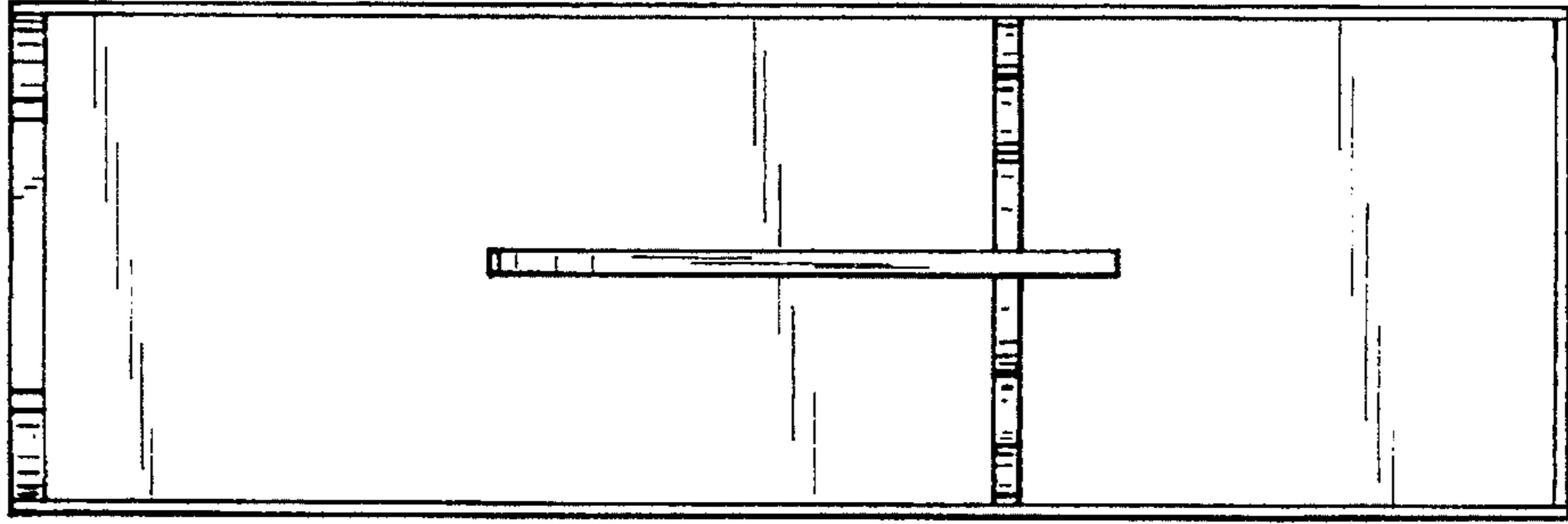


FIG. 3

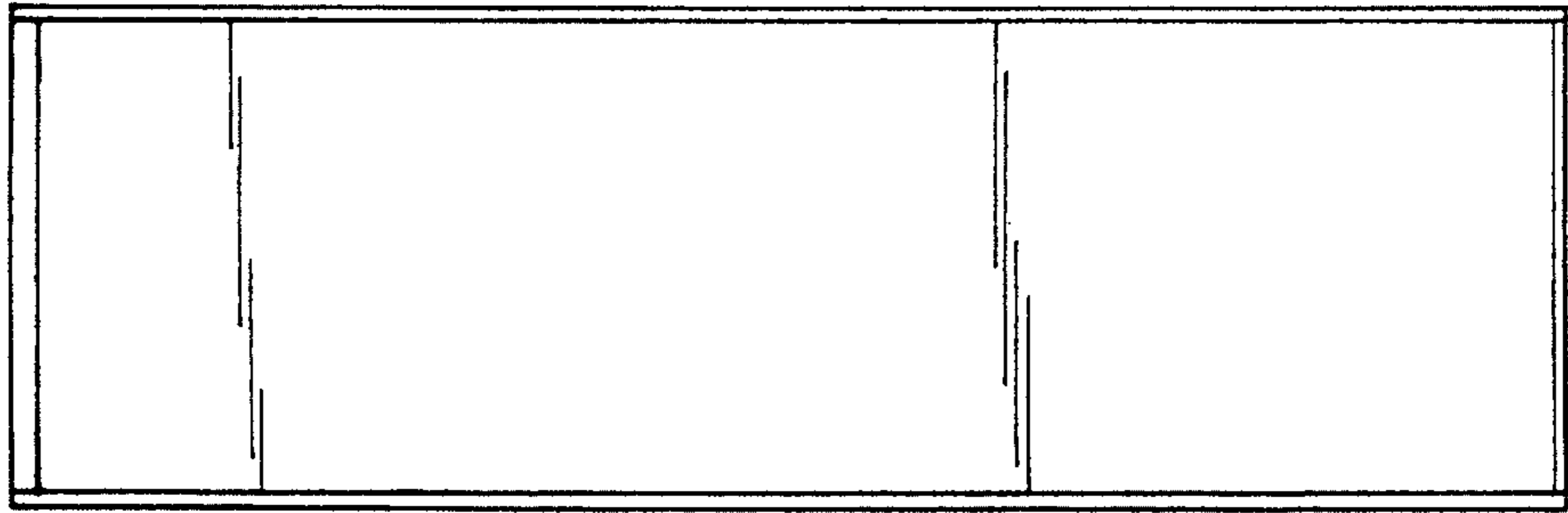


FIG. 4

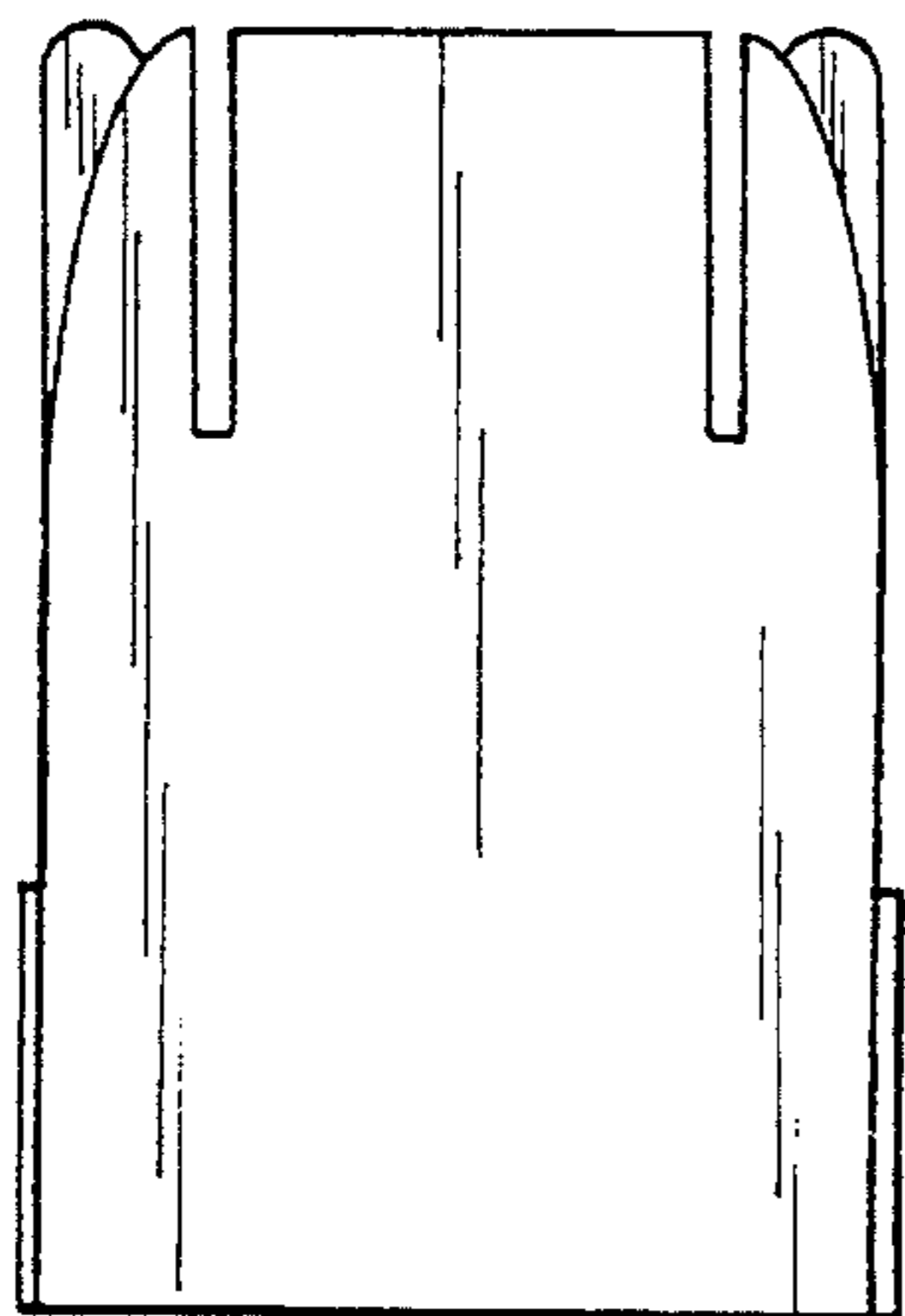


FIG. 5

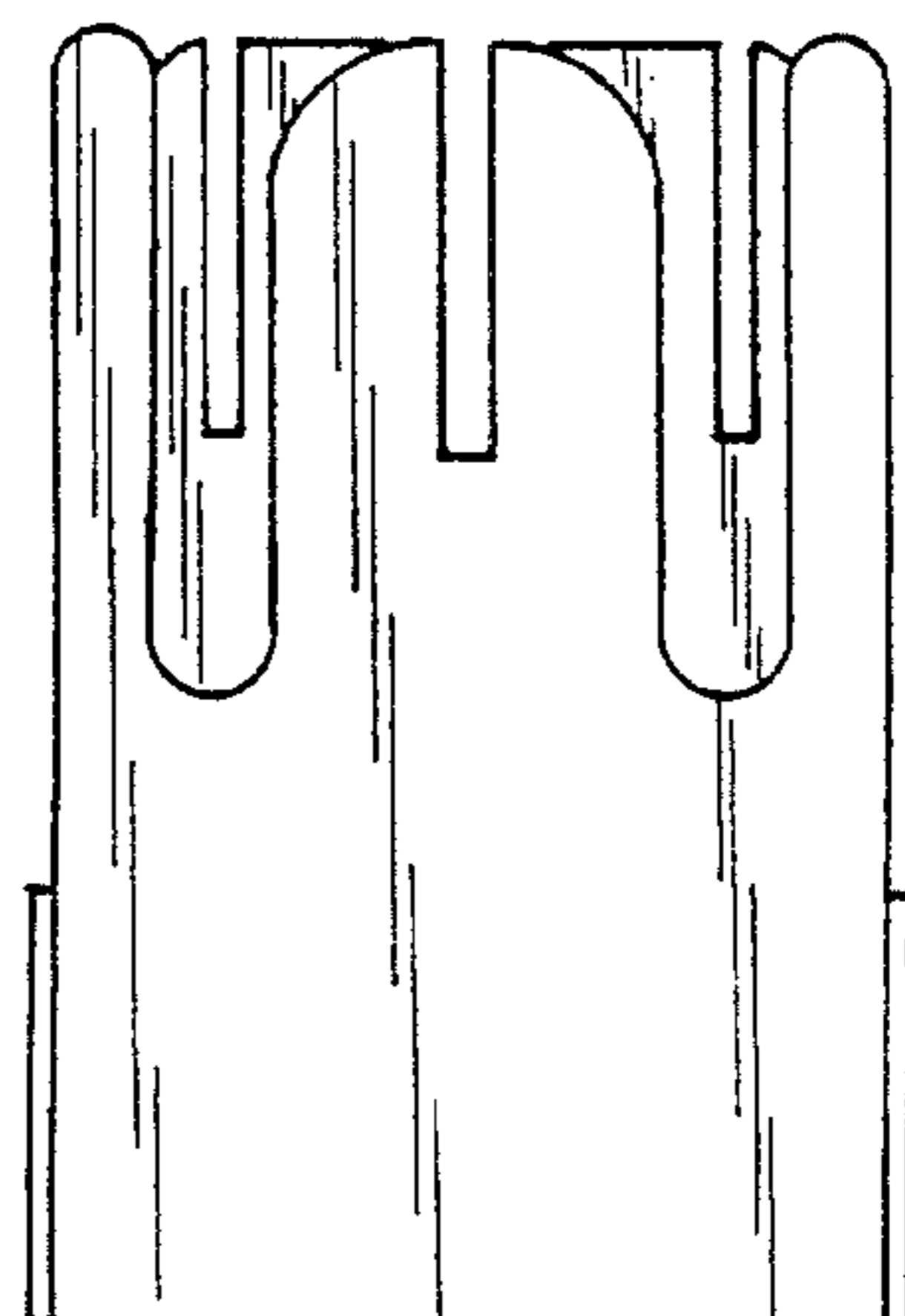


FIG. 6