



US00D369902S

United States Patent [19]

[11] Patent Number: **Des. 369,902**

Petruzzi

[45] Date of Patent: ****May 21, 1996**

[54] **KEY CHAIN BOX**

3,377,475 4/1968 Frigon D3/209
4,881,636 11/1989 Oletzke D3/207

[76] Inventor: **Thomas G. Petruzzi**, 5118 Belleville Ave., Orlando, Fla. 32812

Primary Examiner—Ralf Seifert
Attorney, Agent, or Firm—Allen, Dyer, Doppelt, Fanjola & Milbrath

[**] Term: **14 Years**

[21] Appl. No.: **37,046**

[57] **CLAIM**

[22] Filed: **Apr. 3, 1995**

The ornamental design for a key chain box, as shown and described.

[52] U.S. Cl. **D3/208; D3/207**

[58] Field of Search D3/207-212, 201, D3/304; D8/347; 70/456 B, 458 R

DESCRIPTION

[56] **References Cited**

U.S. PATENT DOCUMENTS

D. 206,233	2/1990	Smith	D3/208
D. 266,555	10/1982	McNelly	D3/208
D. 283,033	3/1986	Berg	D3/208
D. 306,095	2/1990	Kim	D3/208
D. 329,201	9/1992	Barat	D3/208
D. 339,469	9/1993	Jackson et al.	D3/208
2,714,479	8/1955	Zeitzew	D3/207

FIG. 1 is a top, left perspective view of a key chain box showing my new design;
FIG. 2 is a top plan view thereof;
FIG. 3 is a right side elevation view thereof;
FIG. 4 is a front elevation view thereof;
FIG. 5 is a bottom plan view thereof;
FIG. 6 is a left side elevation view thereof; and,
FIG. 7 is a rear elevation view thereof.

1 Claim, 2 Drawing Sheets

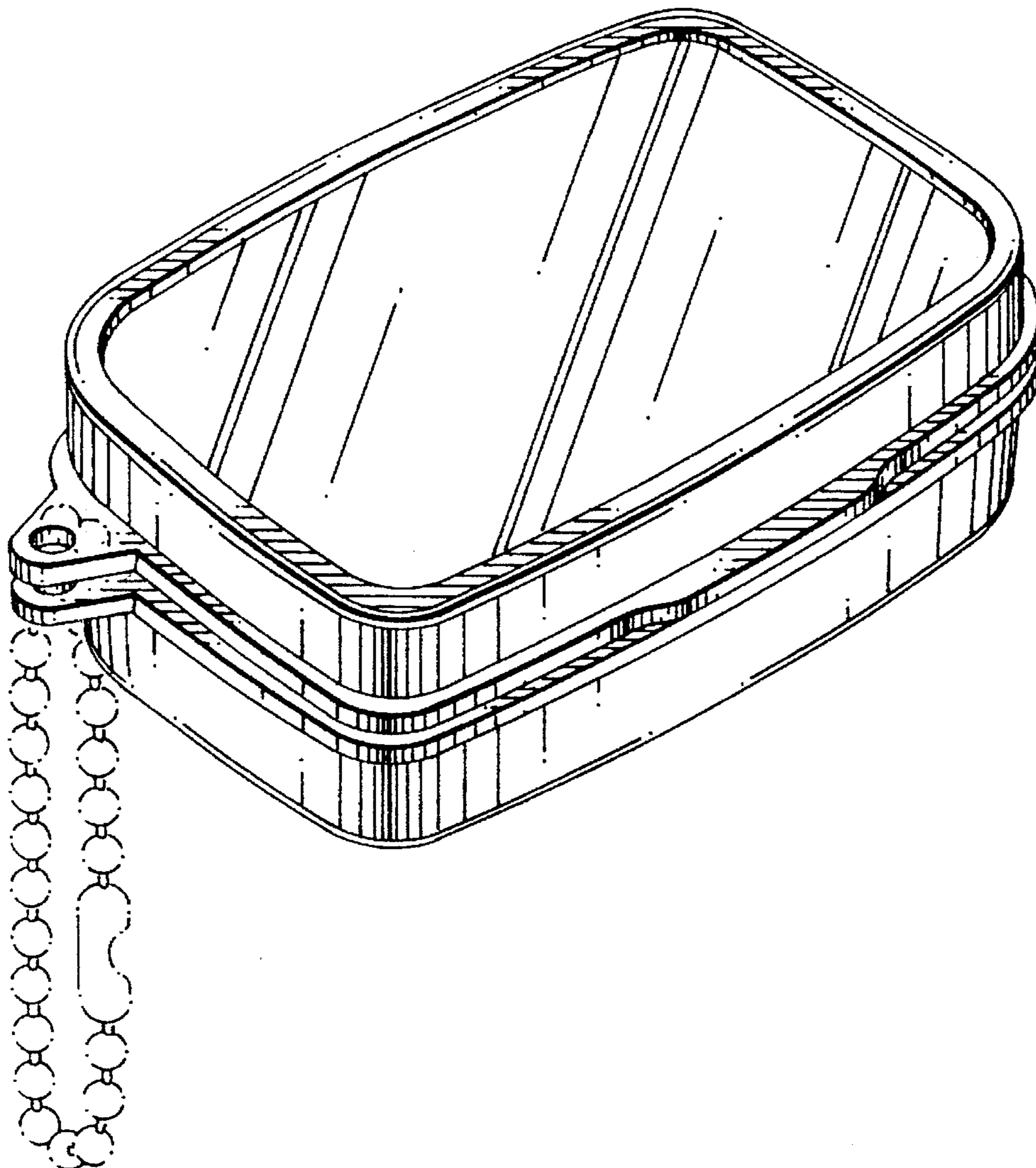


FIG. 1

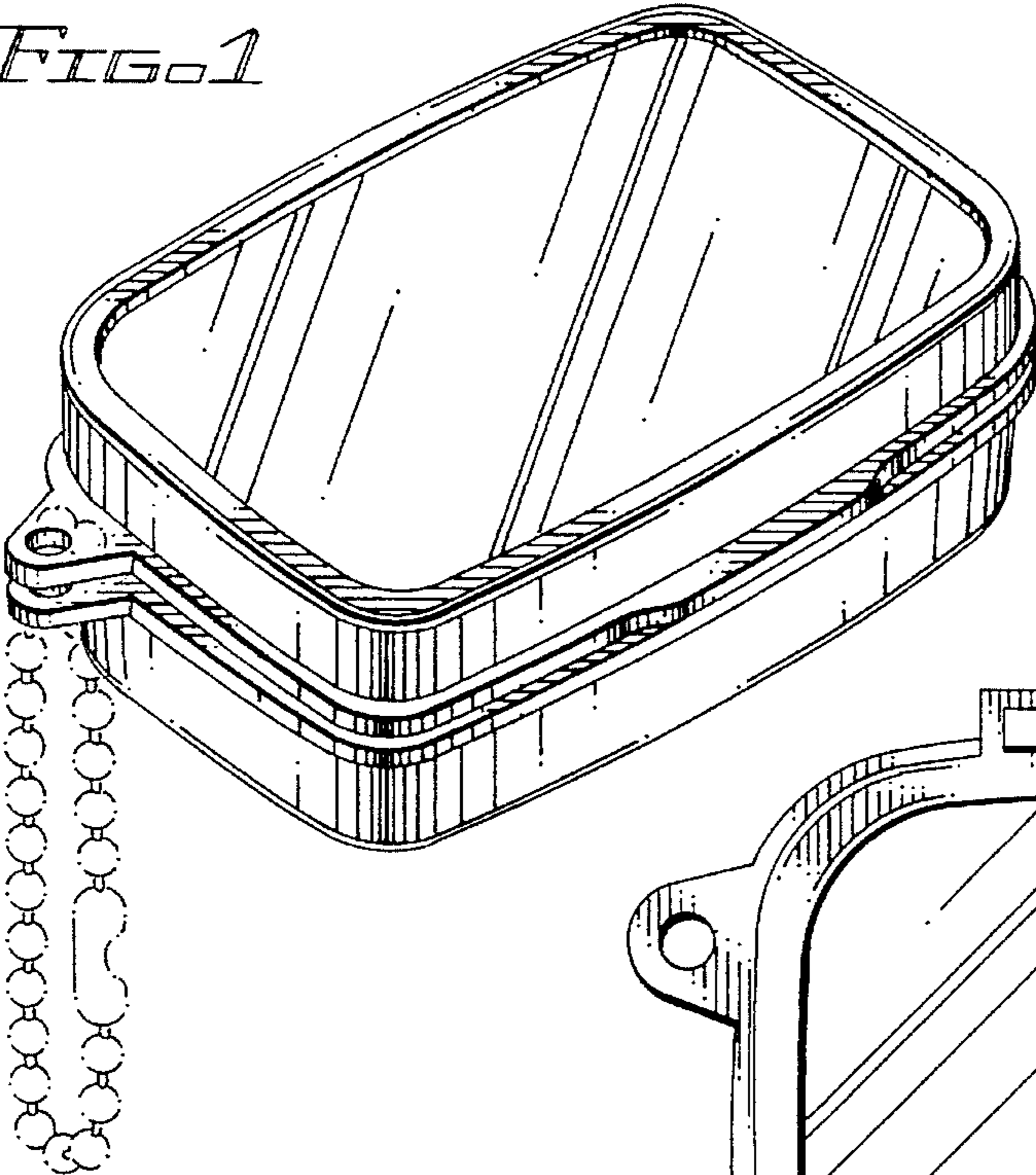


FIG. 2

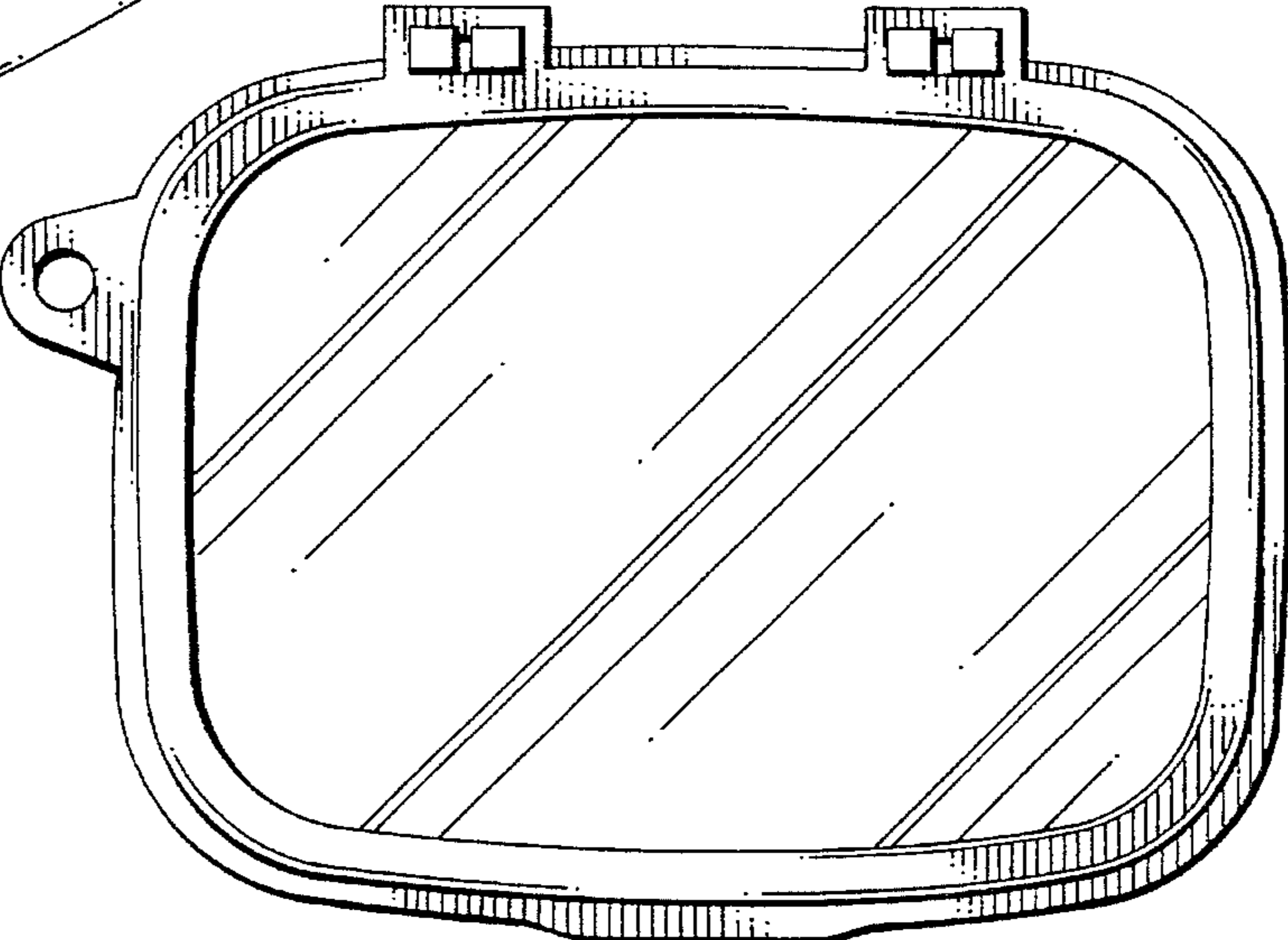


FIG. 3

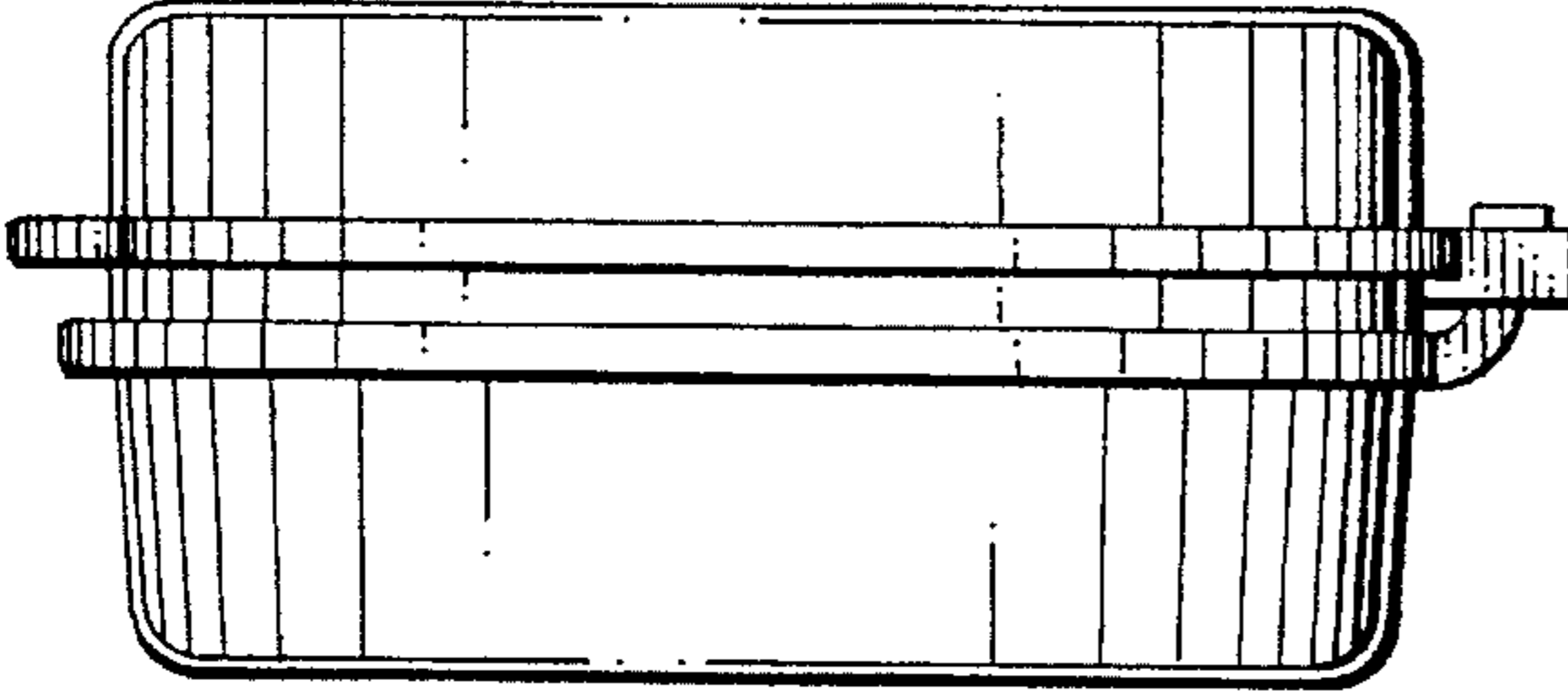
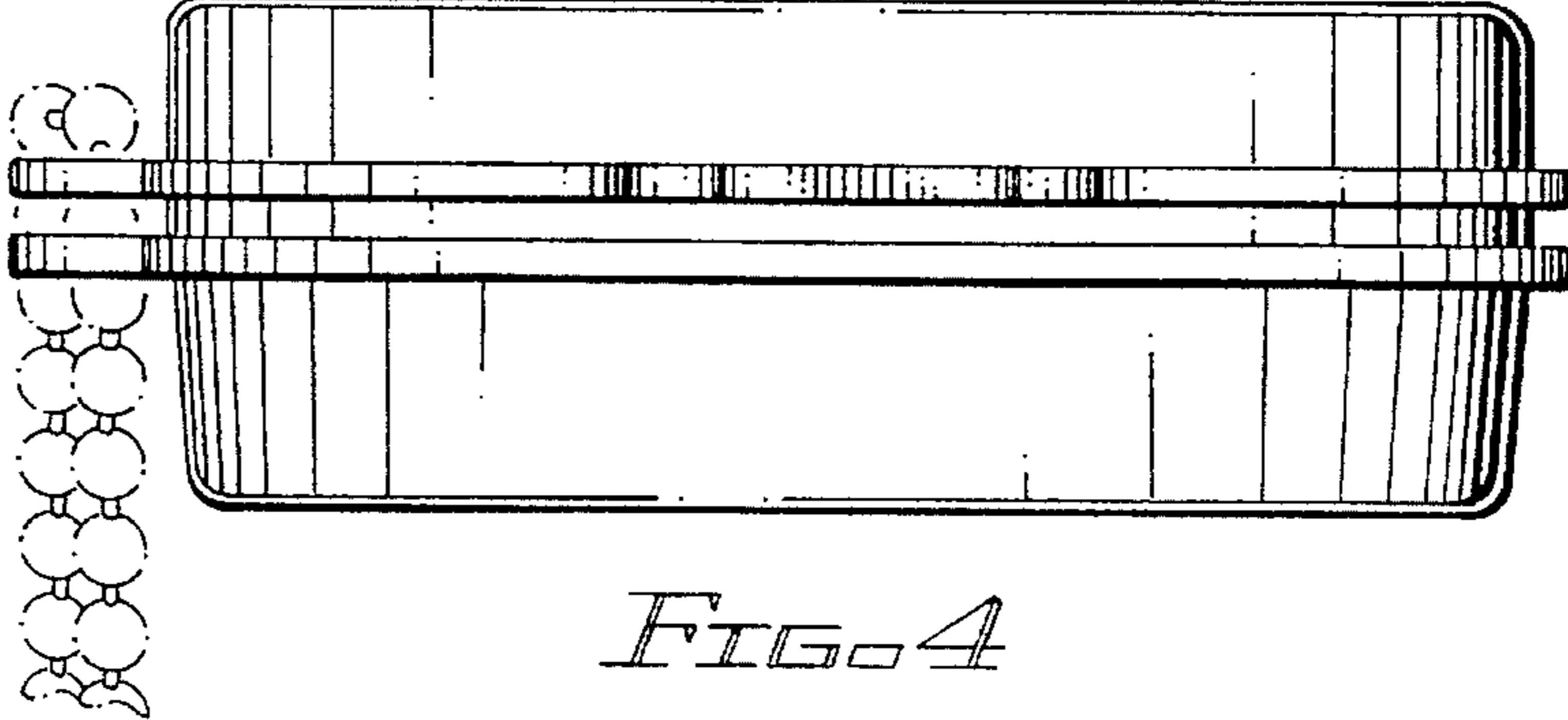


FIG. 4



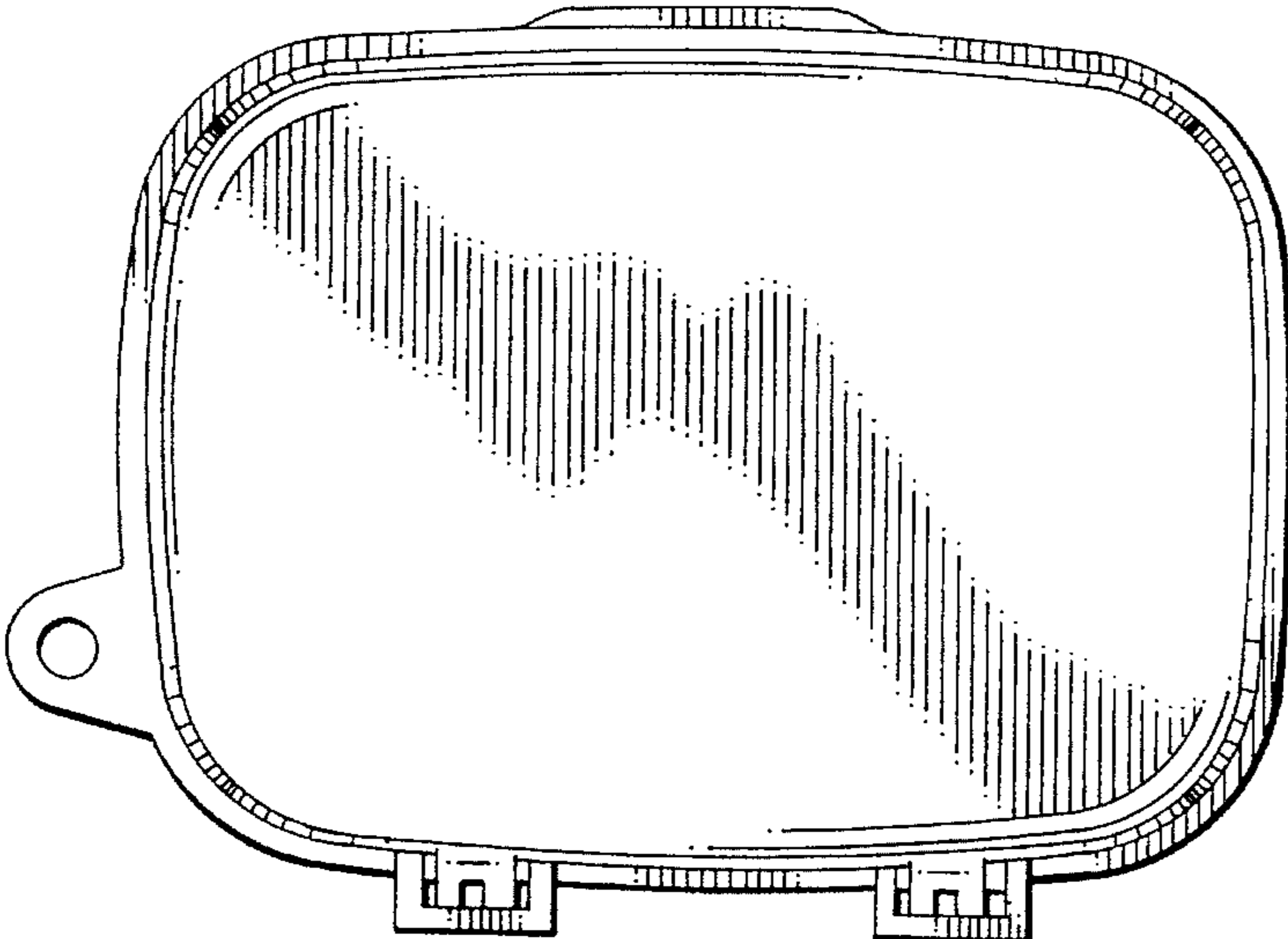


FIG. 5

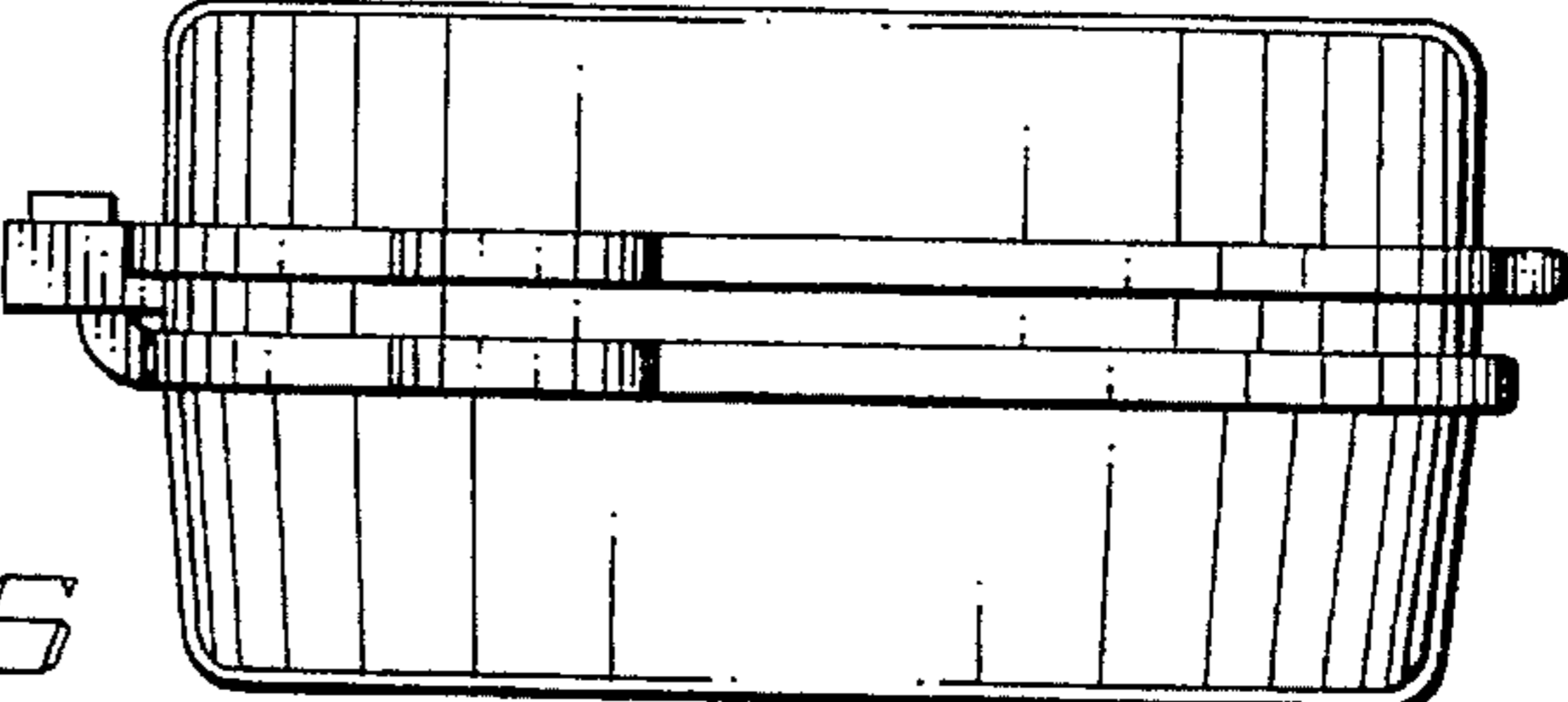


FIG. 6

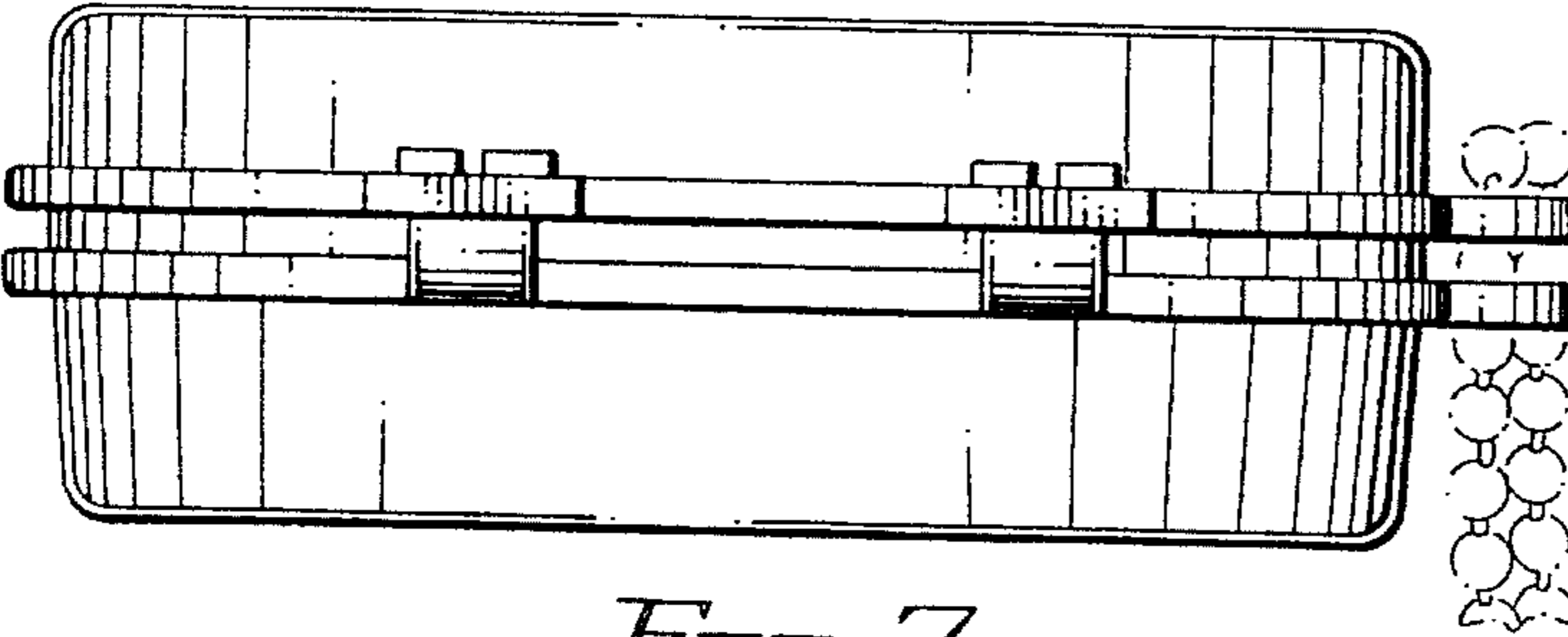


FIG. 7