



US00D369899S

United States Patent [19]

[11] Patent Number: **Des. 369,899**

Regan et al.

[45] Date of Patent: ****May 21, 1996**

[54] **COMBINATION JACKET AND BAG**

[76] Inventors: **Rod J. Regan; Emma E. Regan**, both of 9342 Aqua Vista Blvd., Boynton Beach, Fla. 33437

[**] Term: **14 Years**

[21] Appl. No.: **35,824**

[22] Filed: **Mar. 7, 1995**

[52] U.S. Cl. **D2/830; D2/834; D2/839**

[58] Field of Search **D2/828, 830, 833, D2/834, 838, 839; 2/84, 85, 94, 87**

| | | | |
|-----------|---------|----------------|------|
| 2,959,789 | 11/1960 | Mills et al. . | |
| 3,307,201 | 3/1967 | Pearson | 2/87 |
| 3,381,307 | 5/1968 | Shingler | 2/94 |
| 4,347,629 | 9/1982 | Itoi . | |
| 4,502,154 | 3/1985 | Itoi . | |

Primary Examiner—Celia Murphy
Attorney, Agent, or Firm—Dennis H. Lambert

[57] **CLAIM**

The ornamental design for a combination jacket and bag, as shown and described.

DESCRIPTION

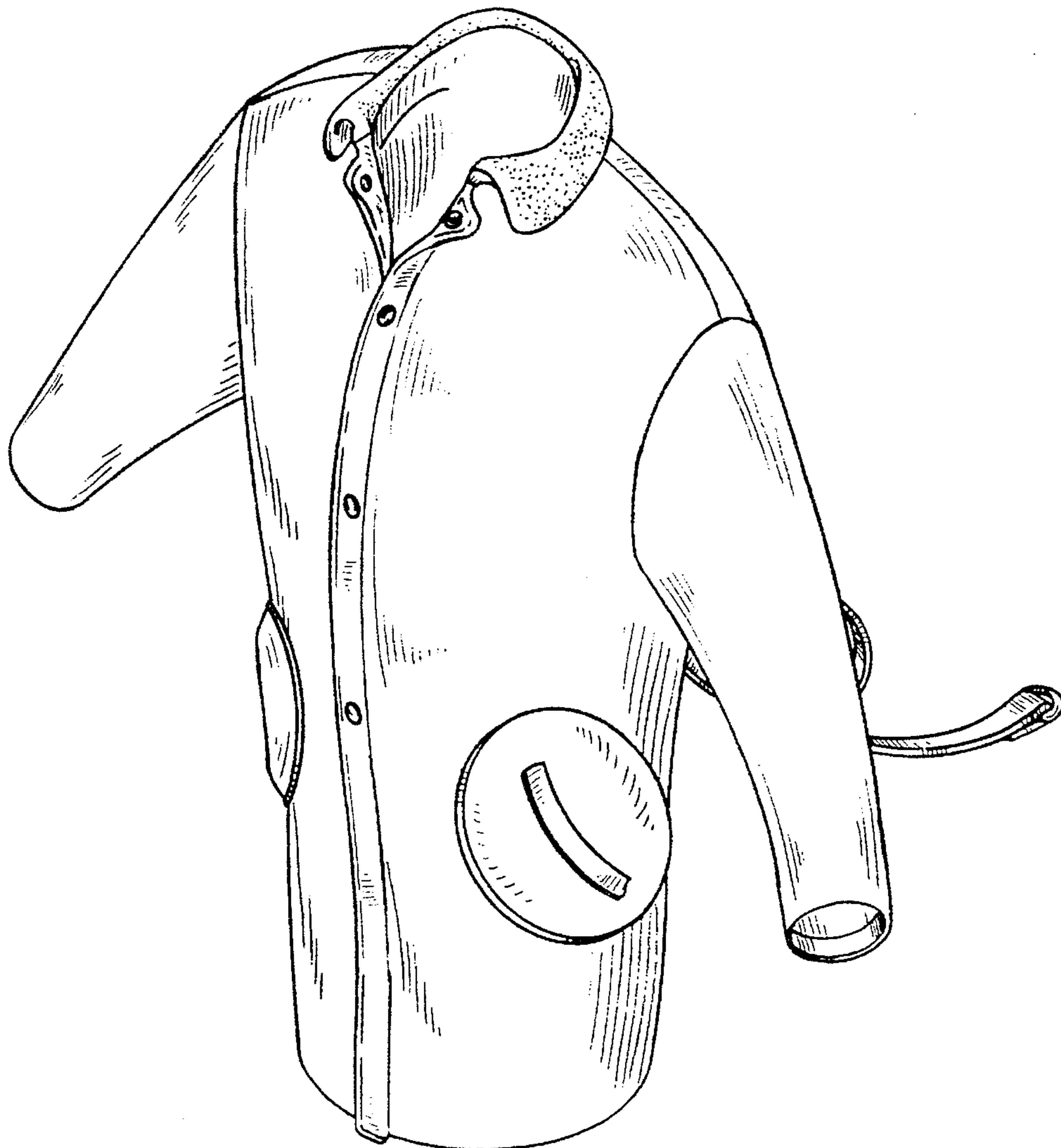
FIG. 1 is a perspective view of a combination jacket and bag embodying our new design;
FIG. 2 is a front elevational view thereof;
FIG. 3 is a rear elevational view thereof;
FIG. 4 is a right side elevational view thereof, the left side being a mirror image except for the placket overlap;
FIG. 5 is a top plan view thereof; and,
FIG. 6 is a bottom plan view thereof.

[56] **References Cited**

U.S. PATENT DOCUMENTS

| | | | |
|------------|---------|---------------------|--------|
| D. 58,572 | 8/1921 | Jackson | D2/833 |
| D. 251,936 | 5/1979 | Shaw | D2/830 |
| D. 260,695 | 9/1981 | Brookfield | D3/213 |
| D. 278,090 | 3/1985 | Cochran | D2/829 |
| D. 326,009 | 5/1992 | Deuschle | D2/838 |
| D. 352,152 | 11/1994 | Maye | D2/828 |
| D. 357,342 | 4/1995 | Gelinas et al. | D2/838 |

1 Claim, 3 Drawing Sheets



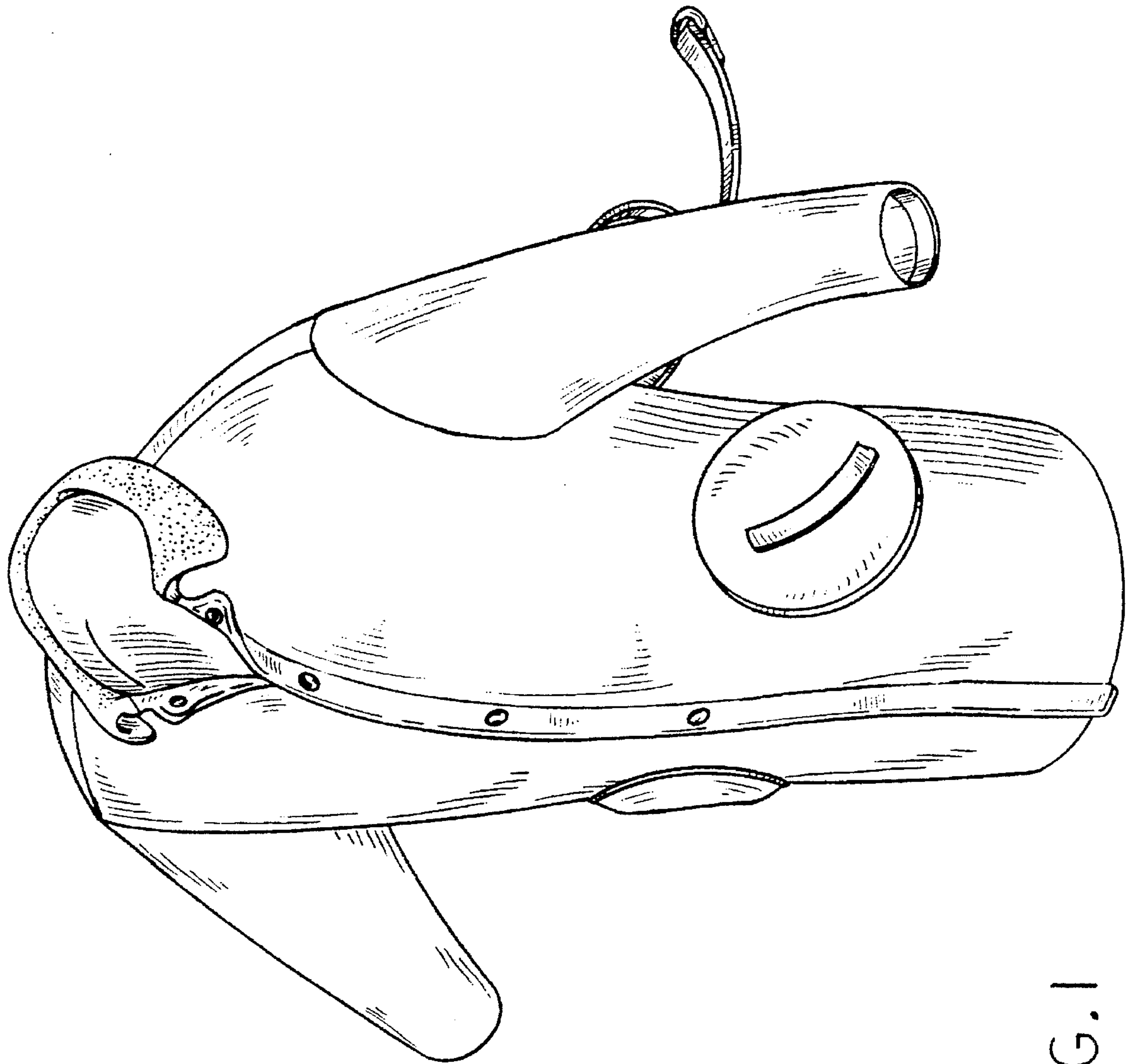


FIG. 1

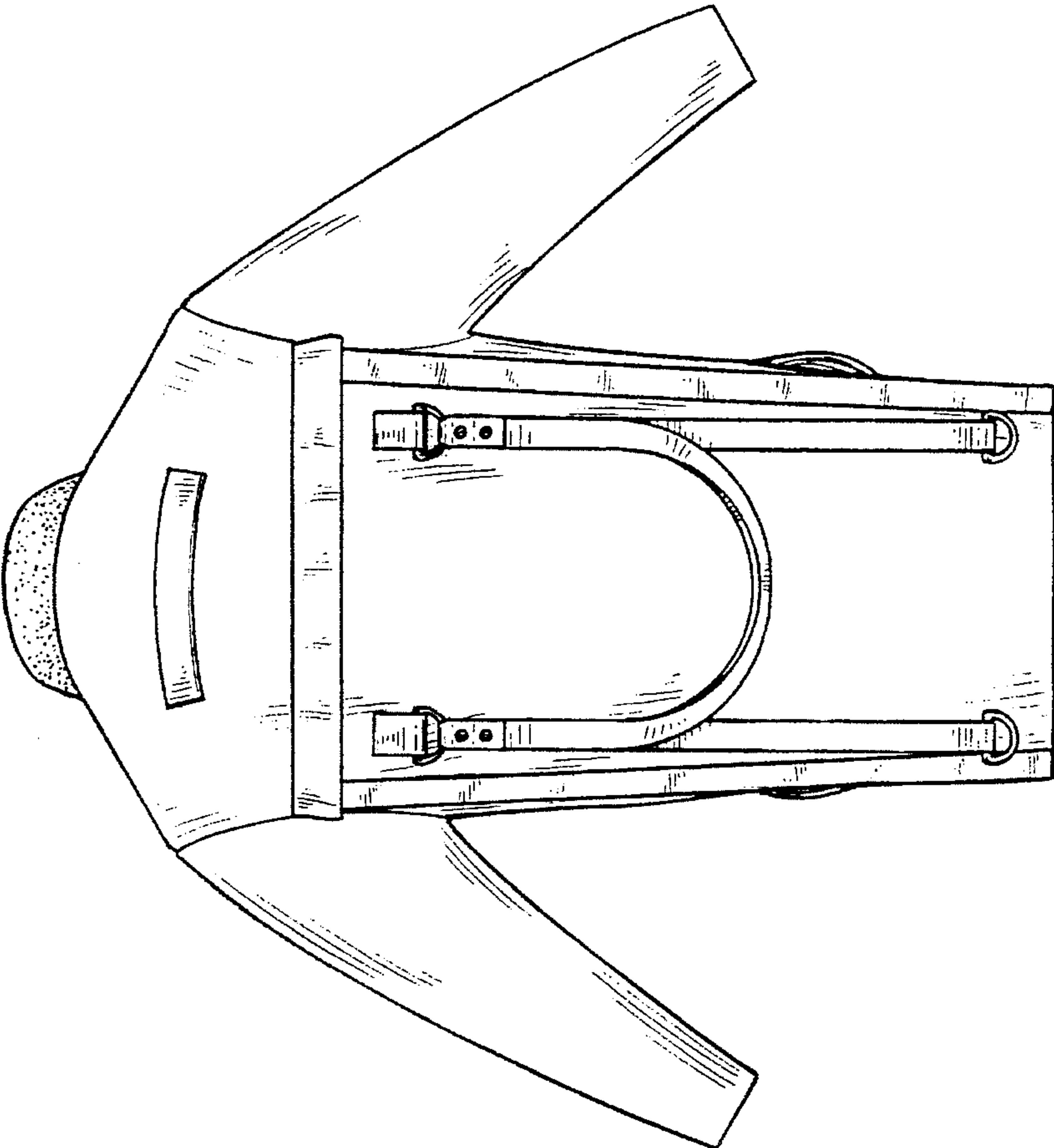


FIG. 3

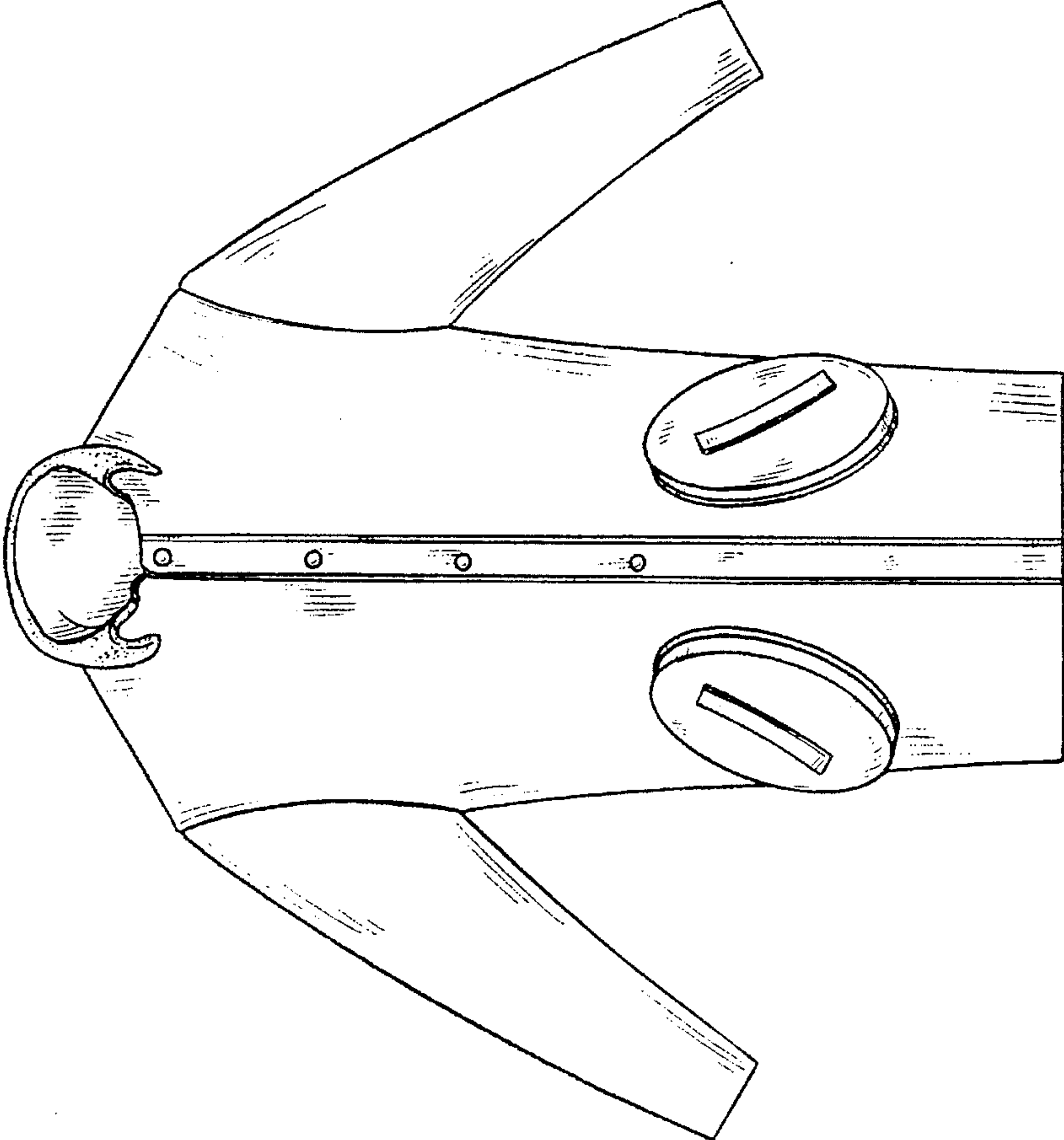


FIG. 2

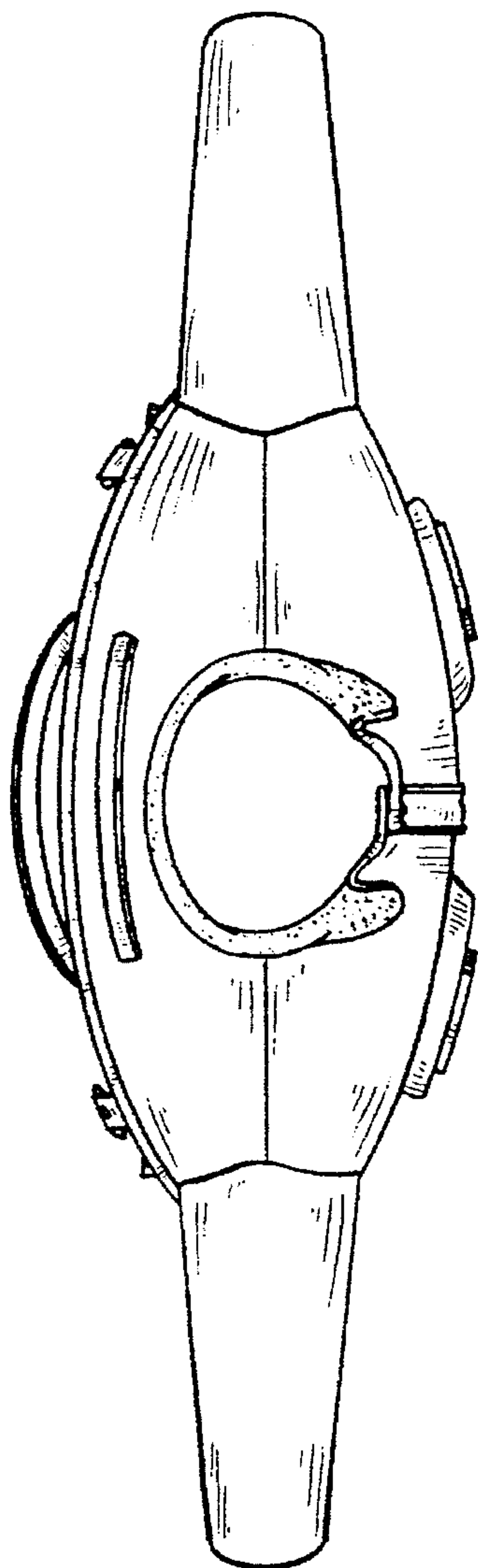


FIG. 5

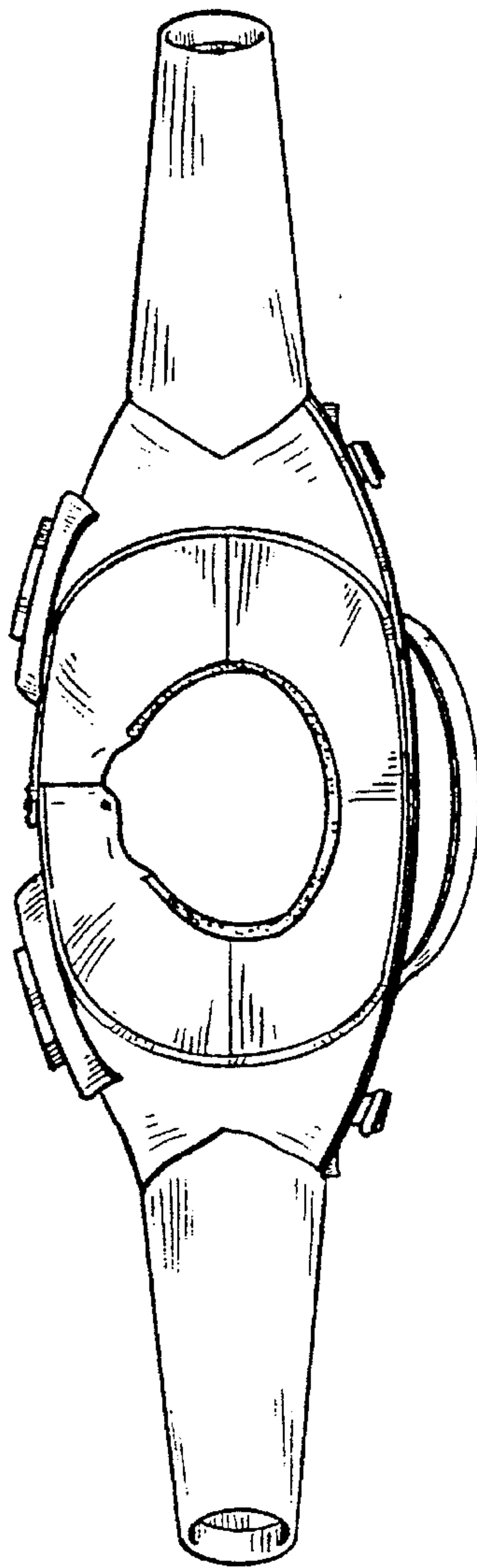


FIG. 6

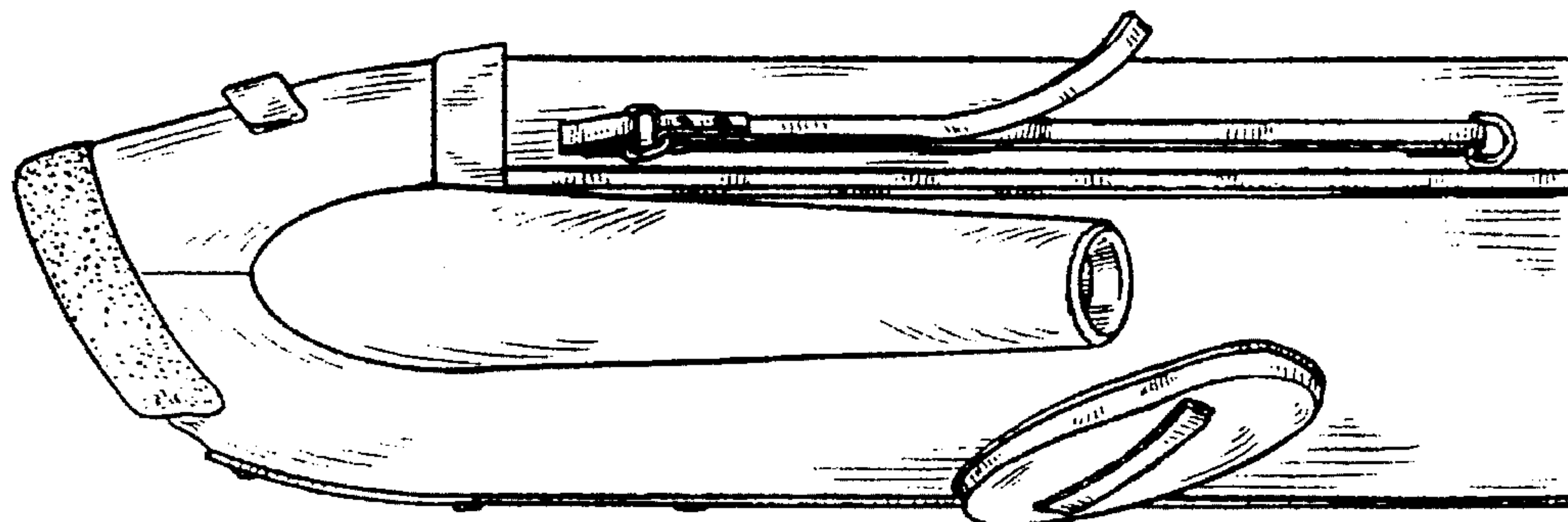


FIG. 4