



US00D369889S

**United States Patent** [19]  
**Buckner**

[11] **Patent Number: Des. 369,889**

[45] **Date of Patent: \*\*May 14, 1996**

[54] **TRAVEL IRONING BOARD**

[76] Inventor: **William J. Buckner**, 555 A Holly Ridge Dr., N.W., Lilburn, Ga. 30247

[\*\*] Term: **14 Years**

[21] Appl. No.: **31,986**

[22] Filed: **Dec. 12, 1994**

[52] U.S. Cl. .... **D32/66**

[58] **Field of Search** ..... D32/66; 38/103, 38/104, 107, 112, 140, 142

[56] **References Cited**

**U.S. PATENT DOCUMENTS**

1,176,245	3/1916	Robertson	38/140
2,606,275	8/1952	Jacowitz	38/104
2,994,144	8/1961	Paulo	38/107
3,512,620	5/1970	Bell et al.	38/112 X
4,890,704	1/1990	Harris	38/112 X
4,991,325	2/1991	Teduschi	38/103 X
5,036,777	8/1991	Barton	108/90
5,161,319	11/1992	Boyd	D32/66 X

*Primary Examiner*—A. Hugo Word  
*Assistant Examiner*—Cynthia E. Ramirez  
*Attorney, Agent, or Firm*—Harold H. Dutton, Jr.; Diane F. Liebman; W. Charles Jamison

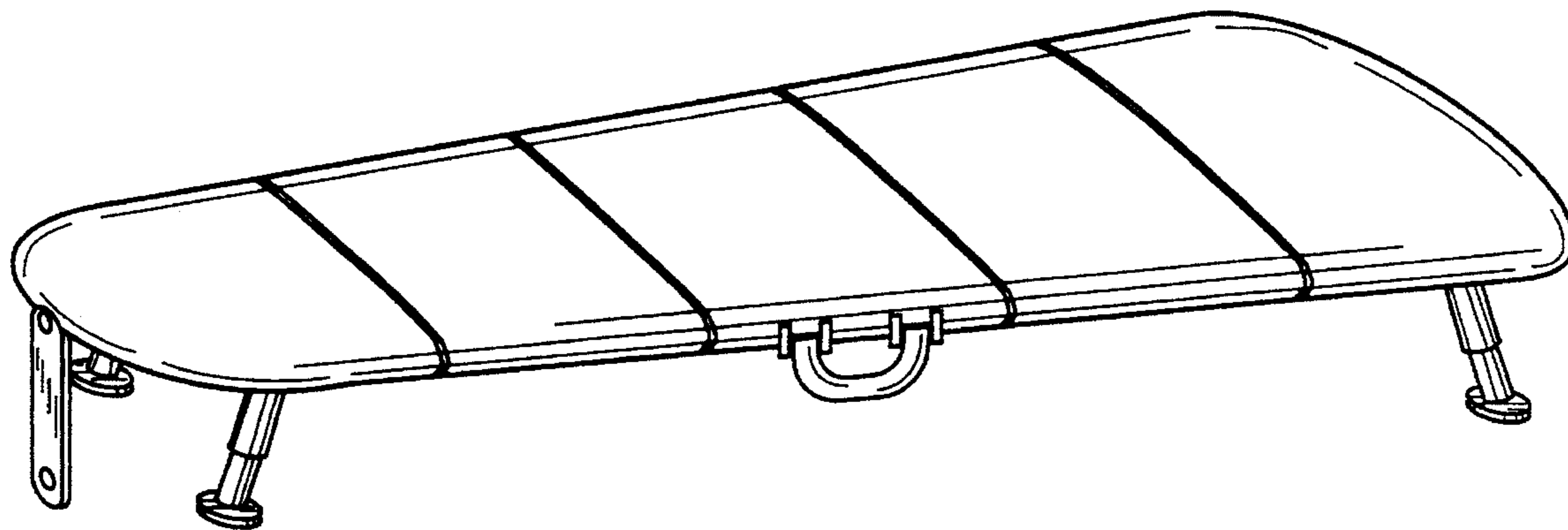
[57] **CLAIM**

The ornamental design for a travel ironing board, as shown and described.

**DESCRIPTION**

FIG. 1 is a perspective view of a travel ironing board showing my new design;  
FIG. 2 is a top view thereof;  
FIG. 3 is a bottom view thereof;  
FIG. 4 is a front view thereof;  
FIG. 5 is a rear view thereof;  
FIG. 6 is a left side view thereof;  
FIG. 7 is a right side view thereof; and,  
FIG. 8 is a front view thereof in a partially collapsed state, showing the manner in which the ironing board collapses for traveling.

**1 Claim, 4 Drawing Sheets**



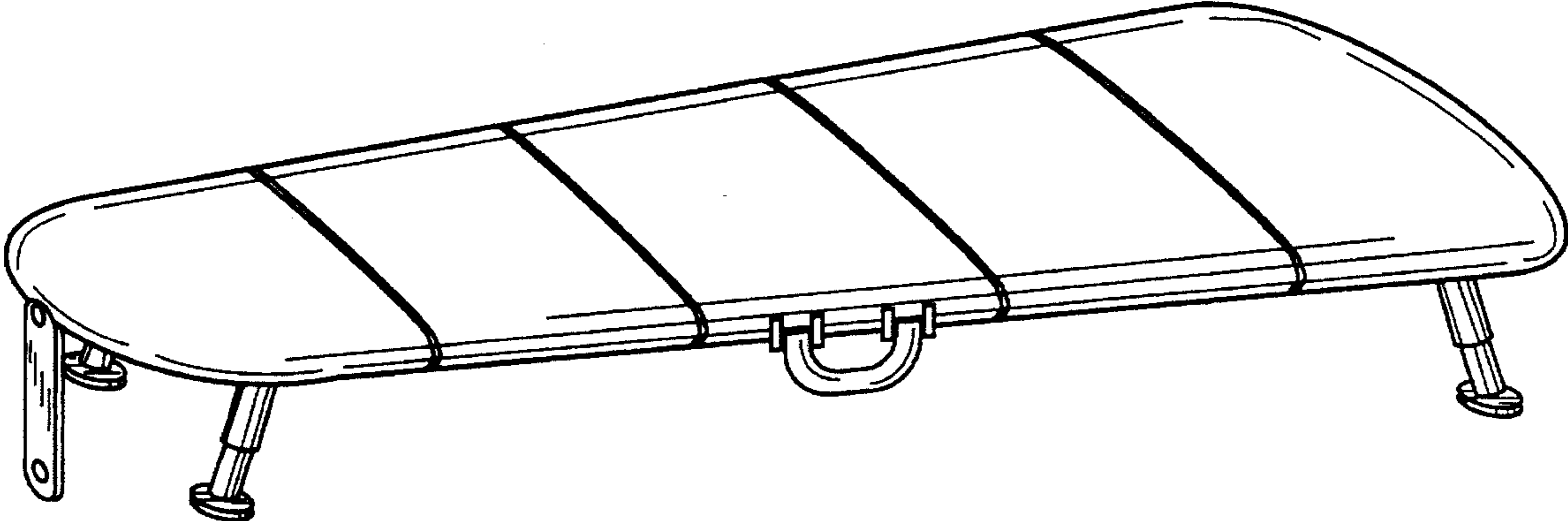


FIG. 1

FIG. 2

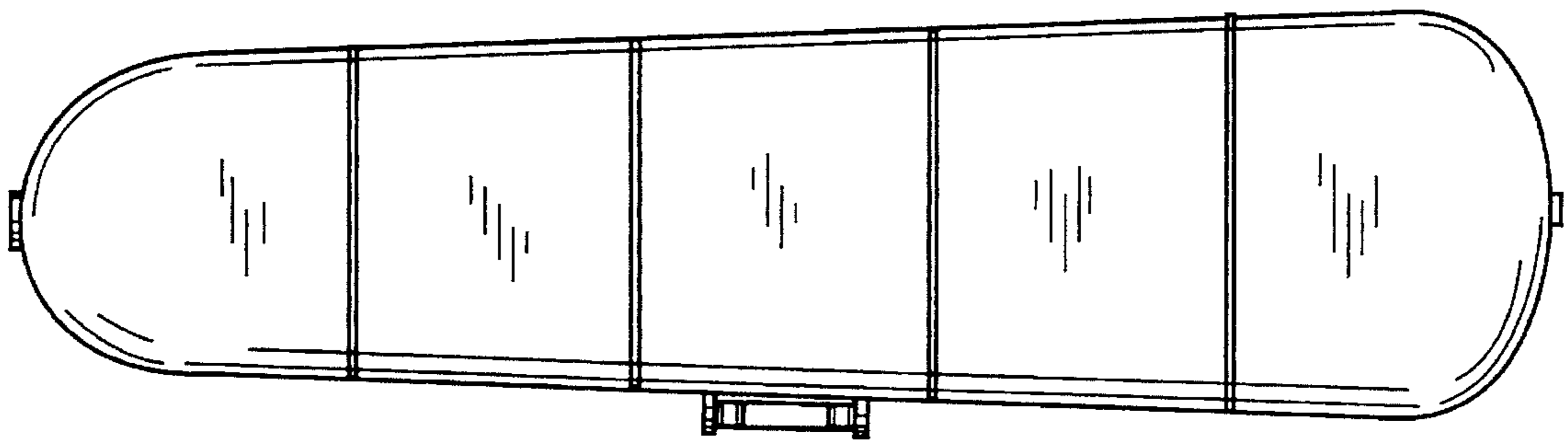


FIG. 3

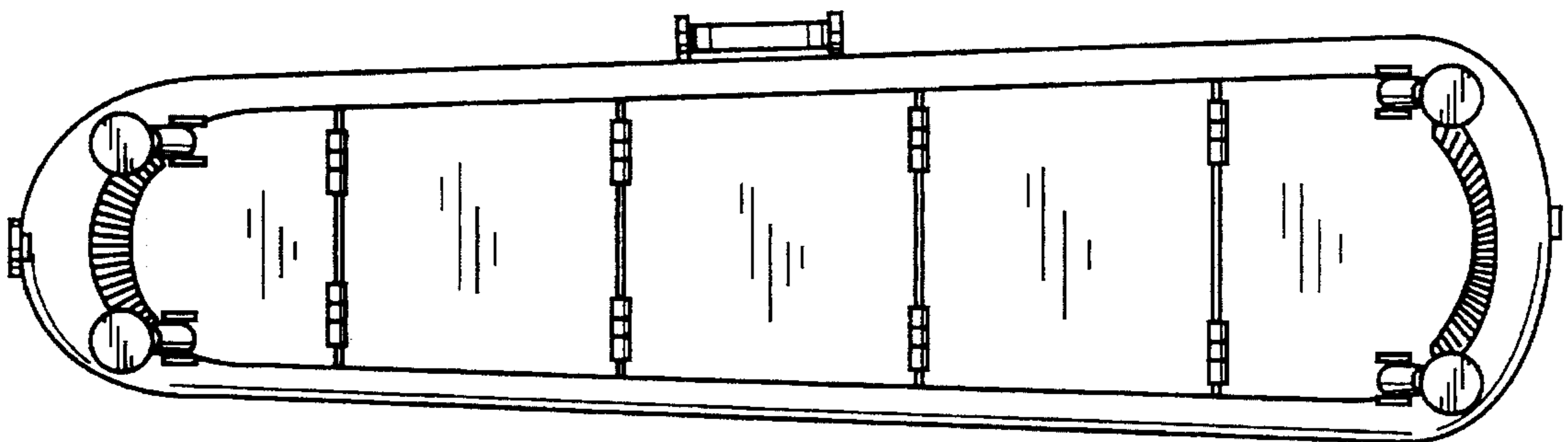


FIG. 4

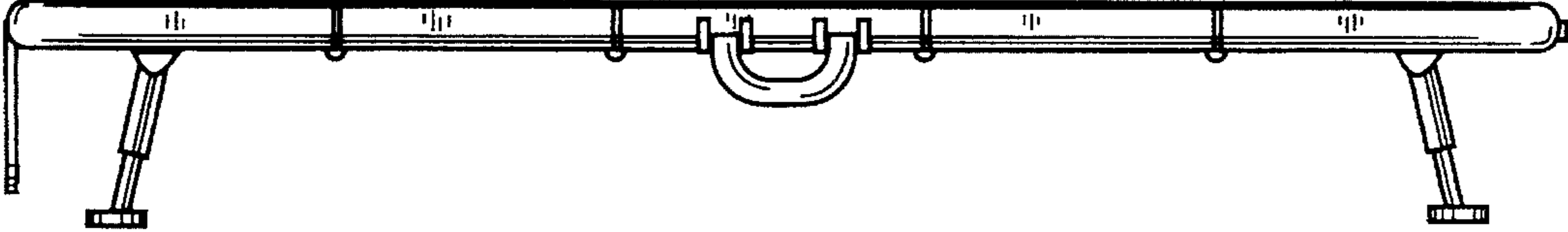


FIG. 5

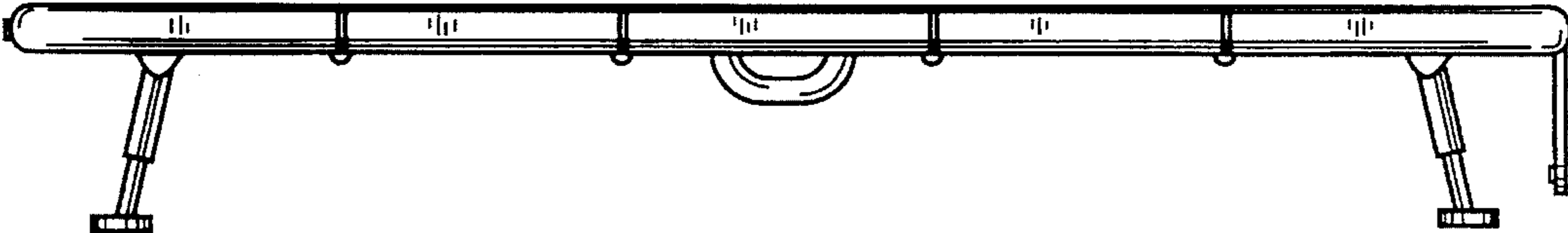


FIG. 6

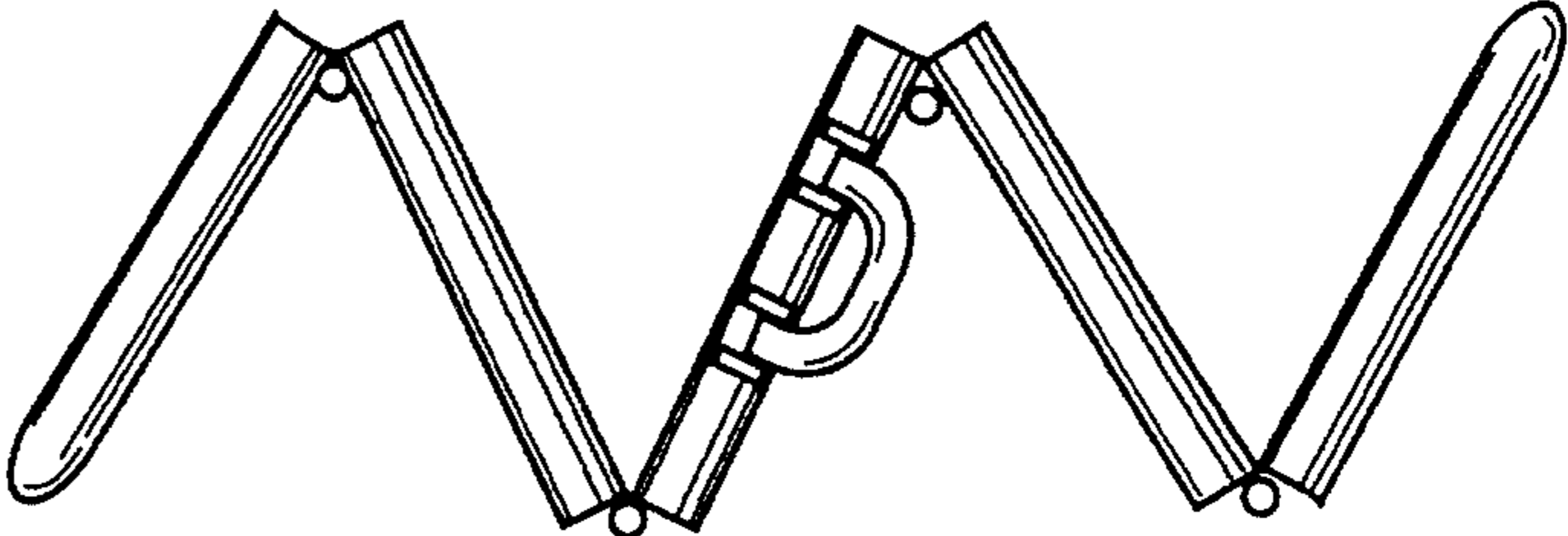
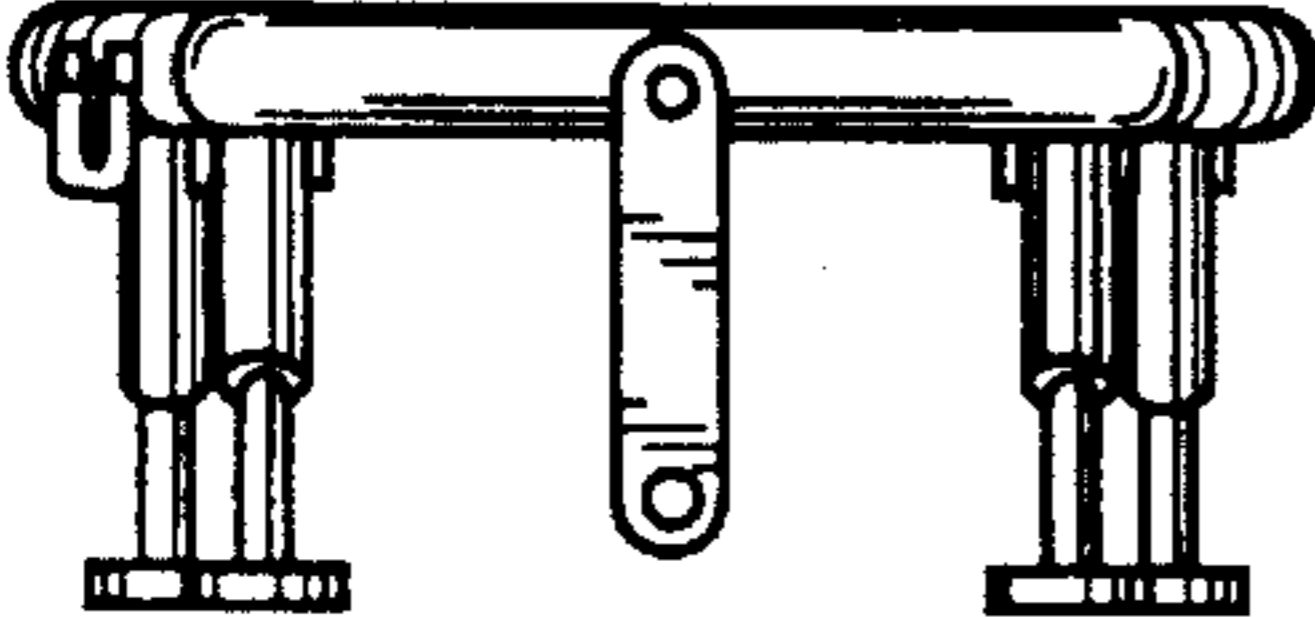


FIG. 7

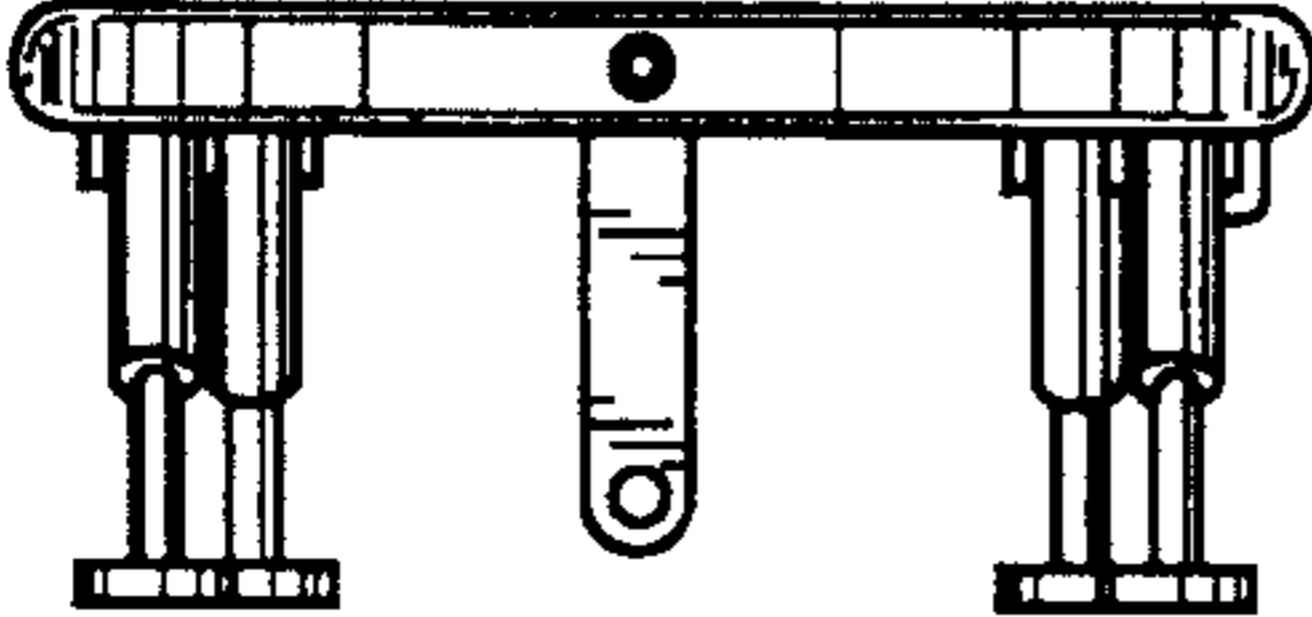


FIG. 8