



US00D369883S

United States Patent [19]
Romano et al.

[11] **Patent Number: Des. 369,883**
[45] **Date of Patent: **May 14, 1996**

[54] **HAIR/SCALP TREATMENT DEVICE**

[75] Inventors: **Jason Romano**, Dallas; **Cassandra Hinton**, Friendswood, both of Tex.

[73] Assignee: **Massimo Enterprises, Inc.**, Dallas, Tex.

[**] Term: **14 Years**

[21] Appl. No.: **32,773**

[22] Filed: **Dec. 28, 1994**

[52] U.S. Cl. **D28/7; D28/10; D28/25**

[58] **Field of Search** **D28/7, 10, 18, D28/21, 25, 26, 30, 31, 20; 132/112-118, 271, 272, 212; 401/28**

[56] **References Cited**

U.S. PATENT DOCUMENTS

D. 244,712	6/1977	Houston	D28/25 X
D. 355,019	11/1994	Kimmell et al.	D28/25
753,968	3/1904	Farmer	132/112
859,711	7/1907	Winsor	132/114
1,065,814	6/1913	Lambert	132/114
1,106,411	8/1914	Scheel	132/114
1,252,499	1/1918	Scheel	401/28 X
1,847,619	3/1932	Mascolo	.	

2,507,386	5/1950	Spiegel	.	
2,517,152	8/1950	Wilson	.	
3,353,721	11/1967	Love	.	
3,570,499	3/1971	Ruta	.	
5,195,545	3/1993	Thibodeaux	132/116

FOREIGN PATENT DOCUMENTS

272949	1/1951	Switzerland	392/379
--------	--------	-------------	-------	---------

Primary Examiner—Prabhakar G. Deshmukh
Assistant Examiner—C. Tuttle
Attorney, Agent, or Firm—Seed and Berry

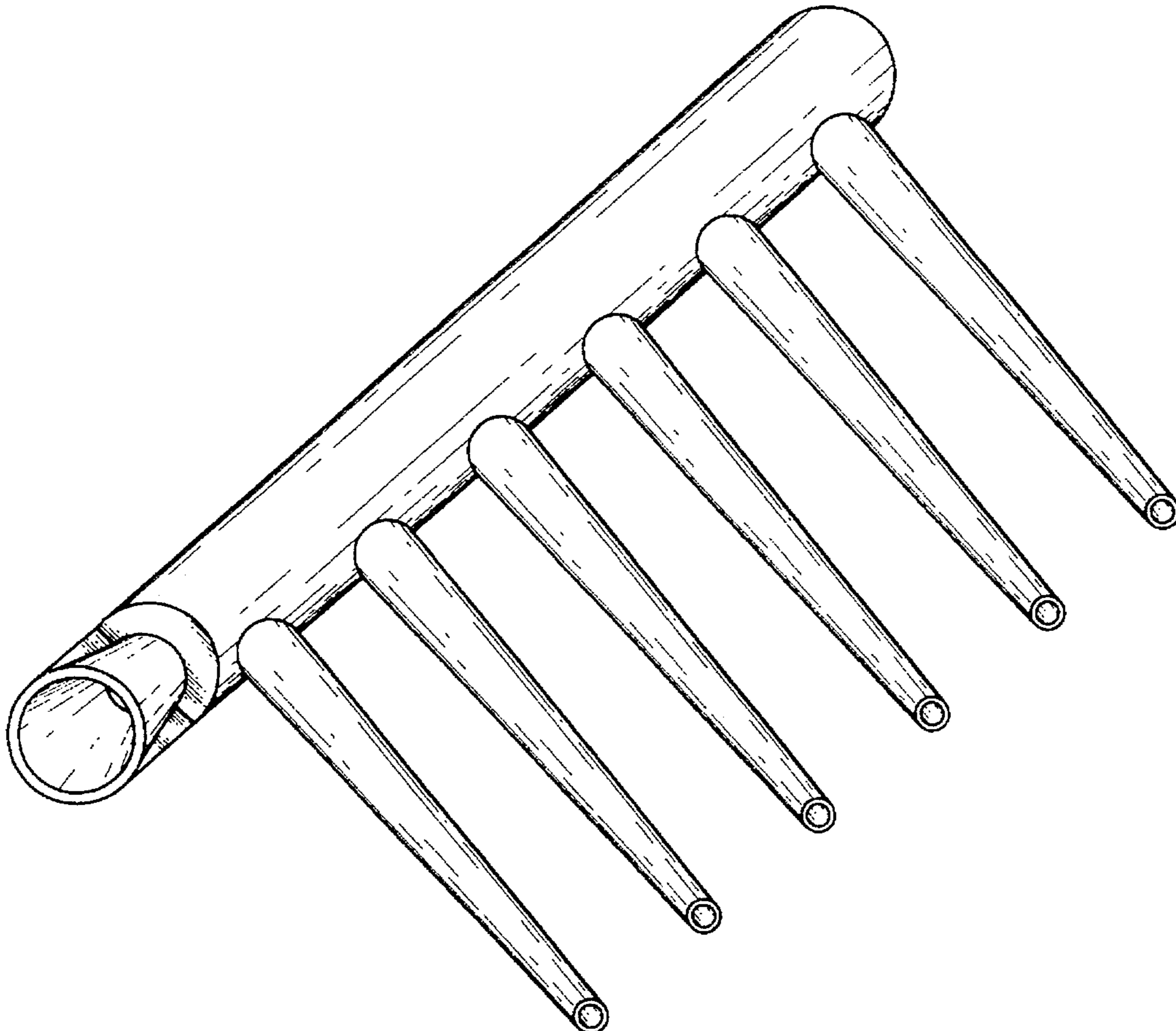
[57] **CLAIM**

The ornamental design for a hair/scalp treatment device, as shown and described.

DESCRIPTION

FIG. 1 is a front isometric view of a hair/scalp treatment device showing my new design;
FIG. 2 is a top plan view thereof;
FIG. 3 is a rear elevational view thereof;
FIG. 4 is a bottom plan view thereof;
FIG. 5 is a right side elevational view thereof, the side opposite being a mirror image of the side shown; and,
FIG. 6 is a front elevational view thereof.

1 Claim, 1 Drawing Sheet



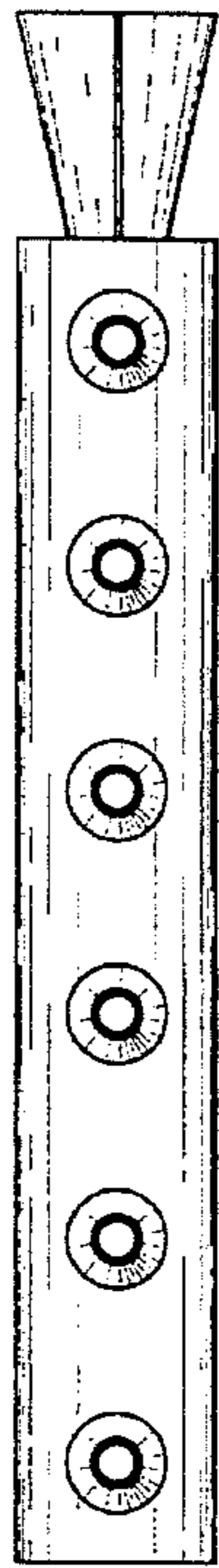


Fig. 6

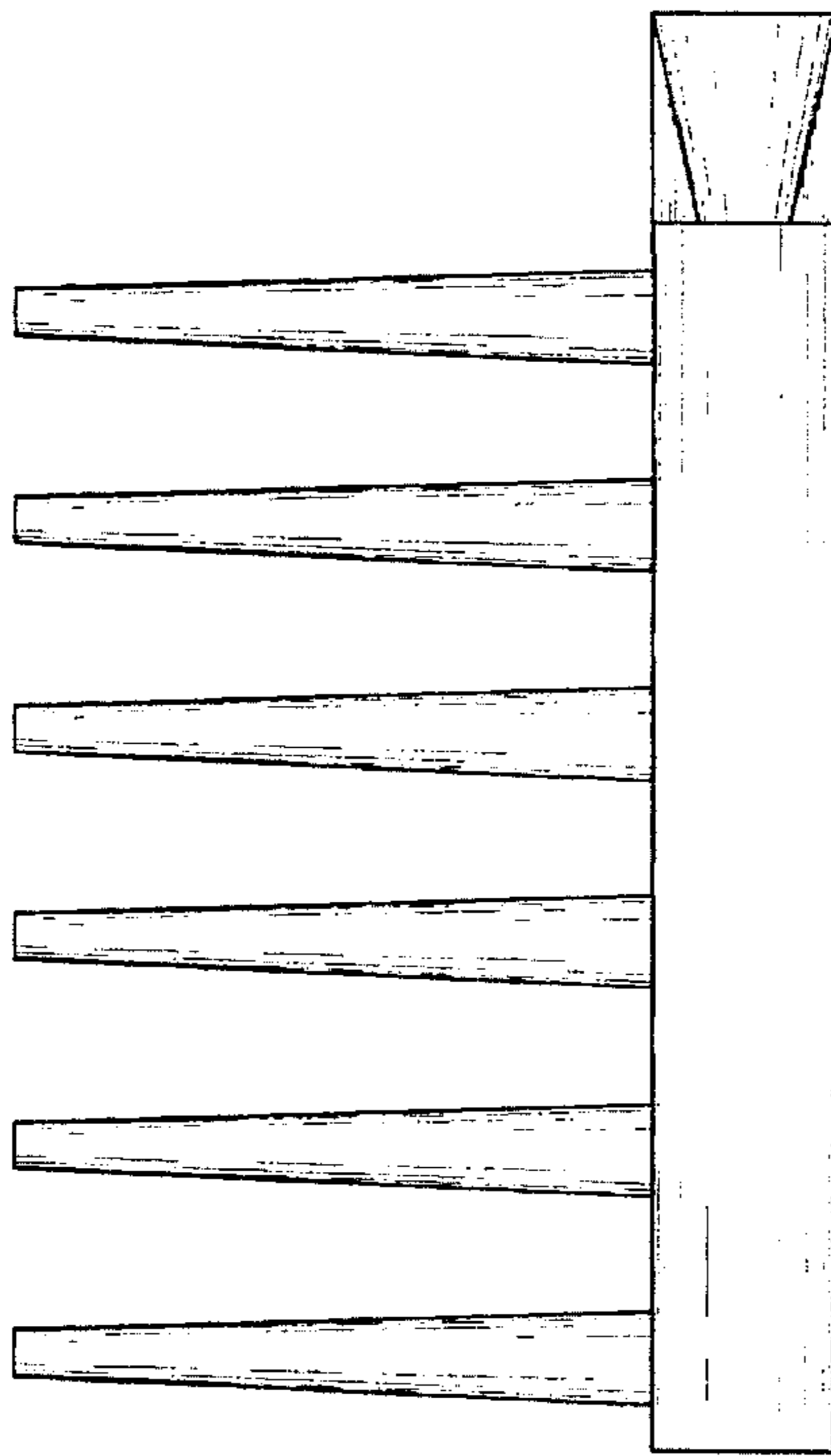


Fig. 5

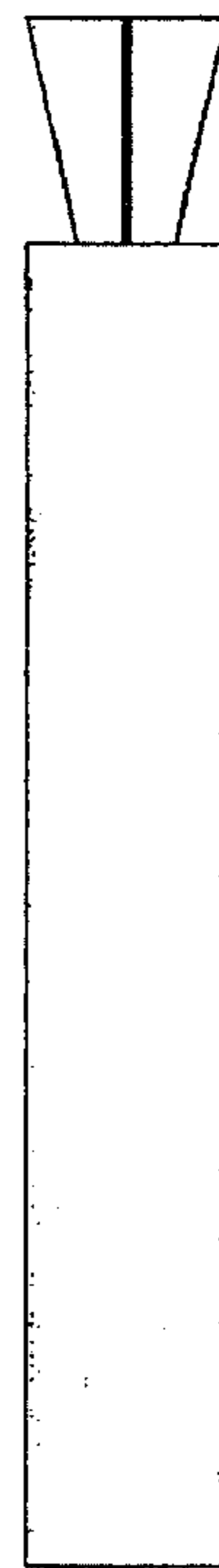


Fig. 3

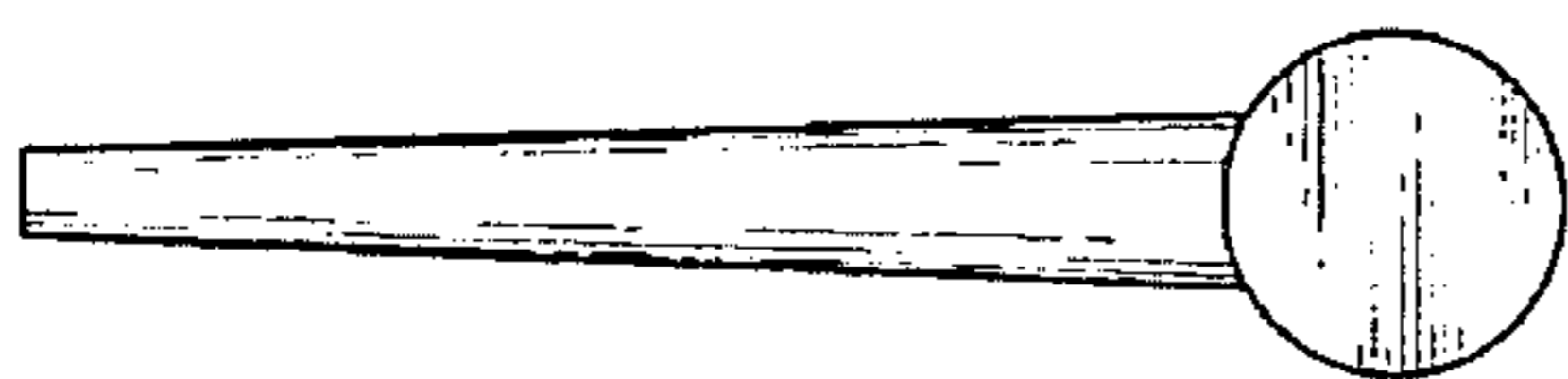


Fig. 4

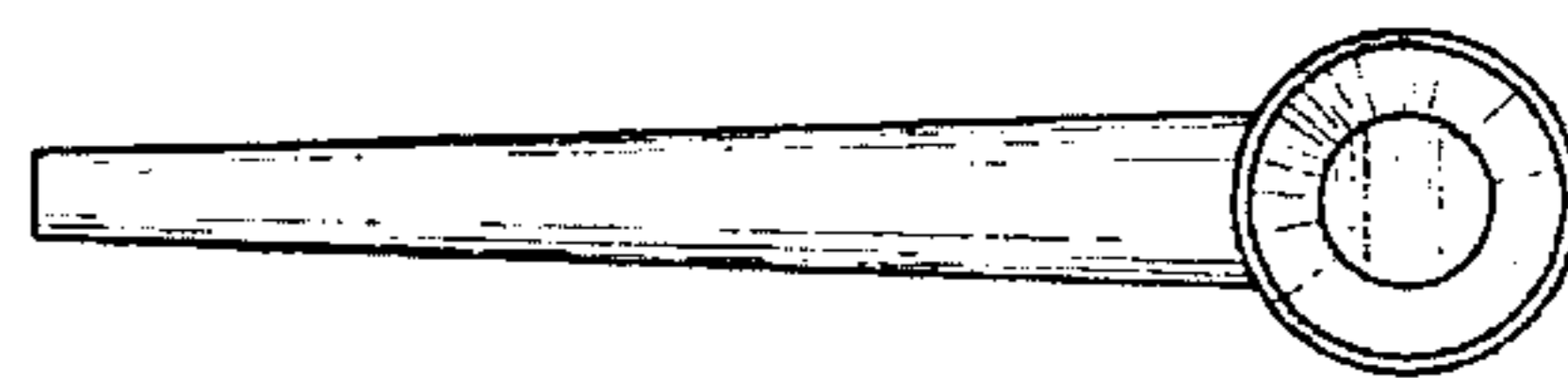


Fig. 2

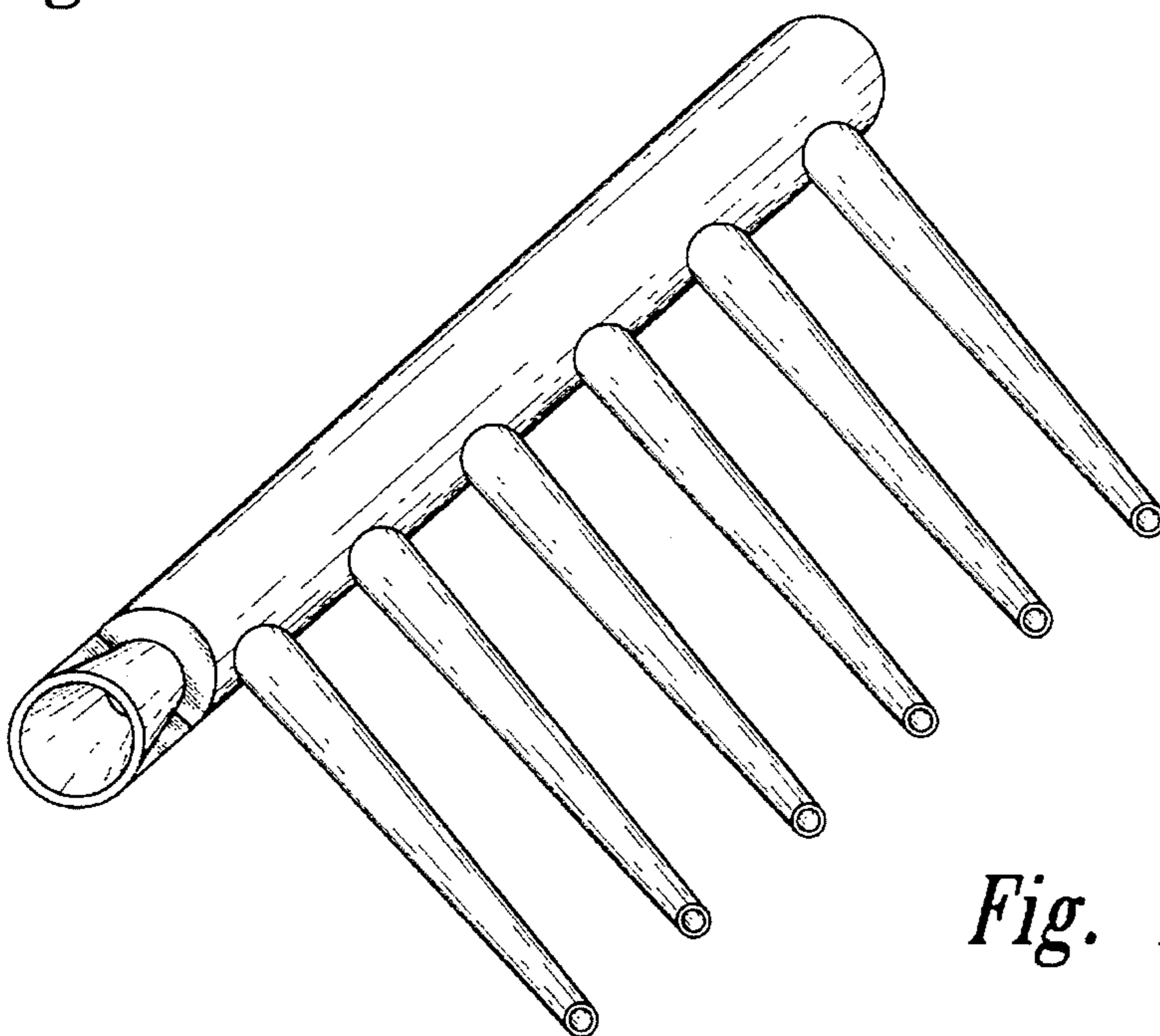


Fig. 1