



US00D369880S

United States Patent [19]
Jaspers-Fayer

[11] **Patent Number: Des. 369,880**
[45] **Date of Patent: **May 14, 1996**

[54] **LIGHT SHADE**

[75] Inventor: **Jan Jaspers-Fayer**, Idyllwild, Calif.

[73] Assignee: **Minka Lighting Inc.**, Corona, Calif.

[**] Term: **14 Years**

[21] Appl. No.: **24,411**

[22] Filed: **Jun. 14, 1994**

[52] U.S. Cl. **D26/136**

[58] Field of Search D26/128-137,
D26/125, 127, 73; 362/326, 327, 329, 331,
333, 334, 337, 338, 339, 340, 432

[56] **References Cited**

U.S. PATENT DOCUMENTS

- D. 16,911 9/1886 Bach .
- D. 20,296 11/1890 Webb .
- D. 21,819 8/1892 Webb .
- D. 35,684 2/1902 Mygatt .
- D. 35,756 2/1902 Mygatt .
- D. 39,772 1/1909 Whaley D26/135
- D. 40,343 11/1909 Sanford .
- D. 40,526 2/1910 Booth D26/133
- D. 40,943 10/1910 Sanford .
- D. 45,616 4/1914 Cravath .
- D. 46,575 10/1914 Ott D26/127

- D. 48,309 12/1915 Cravath .
- D. 49,075 5/1916 Pearlman .
- D. 50,027 12/1916 Mohr D26/134
- D. 53,283 5/1919 Boehringer .
- D. 56,863 1/1921 Giese D26/127
- D. 56,864 1/1921 Giese D26/127
- D. 58,719 8/1921 Dahl D26/127
- D. 63,186 10/1923 Kohler .
- D. 77,657 2/1929 Stanyo .
- D. 78,632 5/1929 Kopp D26/136
- D. 325,448 4/1992 Dordick D26/131
- D. 339,205 9/1993 Kramer .
- D. 341,000 11/1993 Kramer .

OTHER PUBLICATIONS

Holophane Works Illuminating Glassware Catalog, 1913, p. 2, glassshade #01159 (Vehuria).

Primary Examiner—Susan J. Lucas
Attorney, Agent, or Firm—Cooper & Dunham

[57] **CLAIM**

The ornamental design for a light shade, as shown and described.

DESCRIPTION

FIGS. 1, 2, and 3 are respectively top, side, and bottom views of the ornamental design for a light shade.

1 Claim, 1 Drawing Sheet

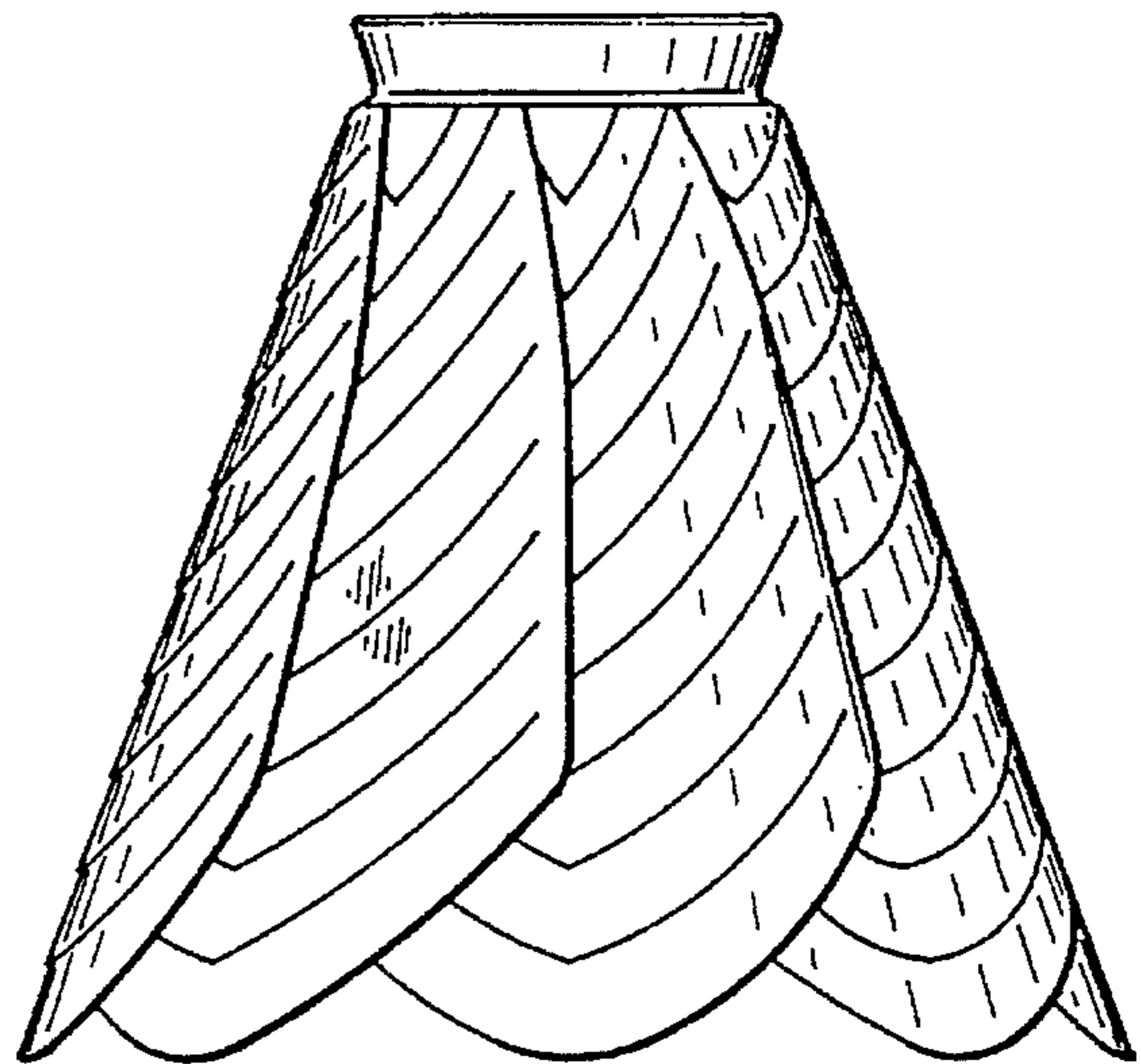
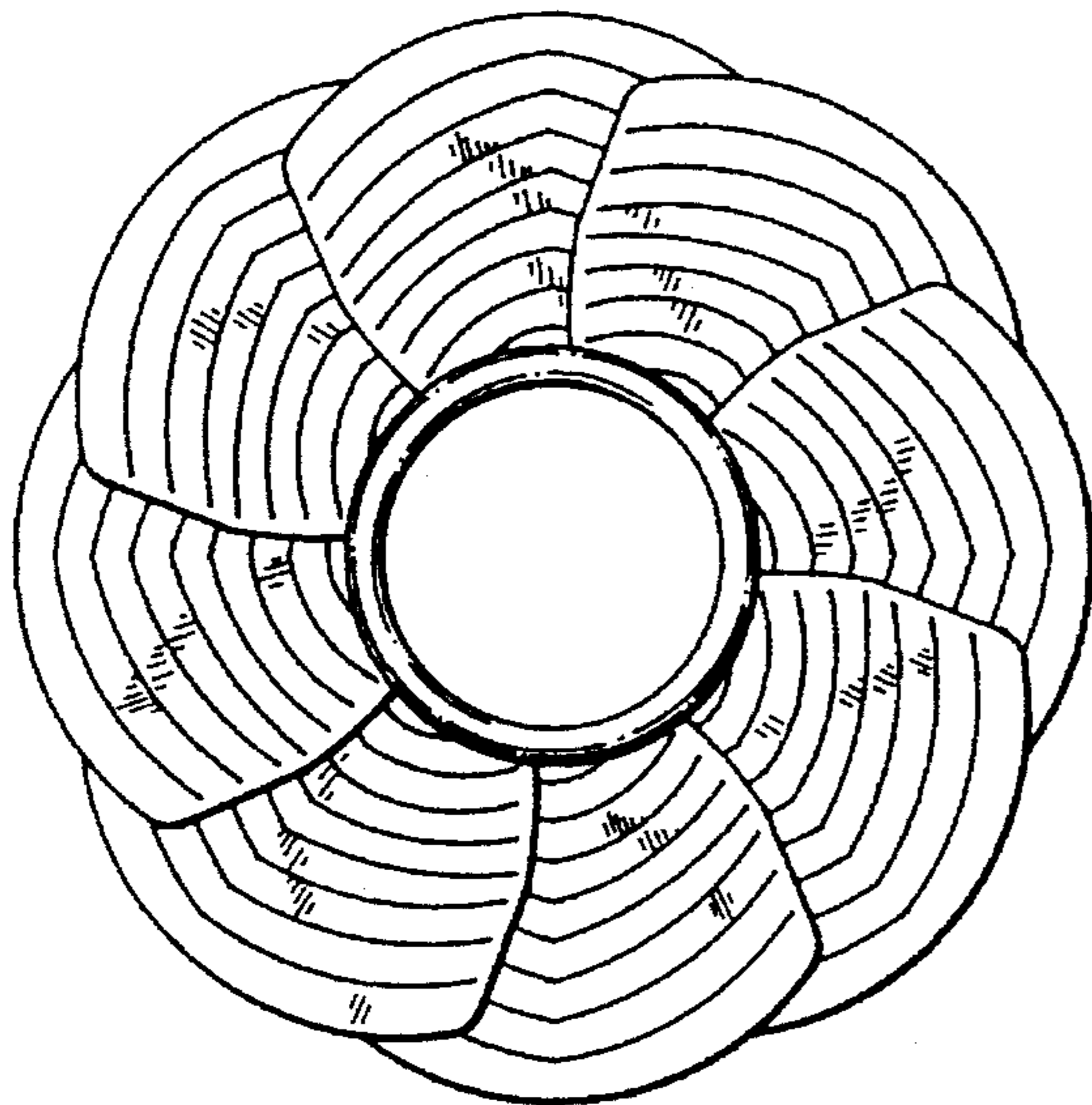


FIG. 1

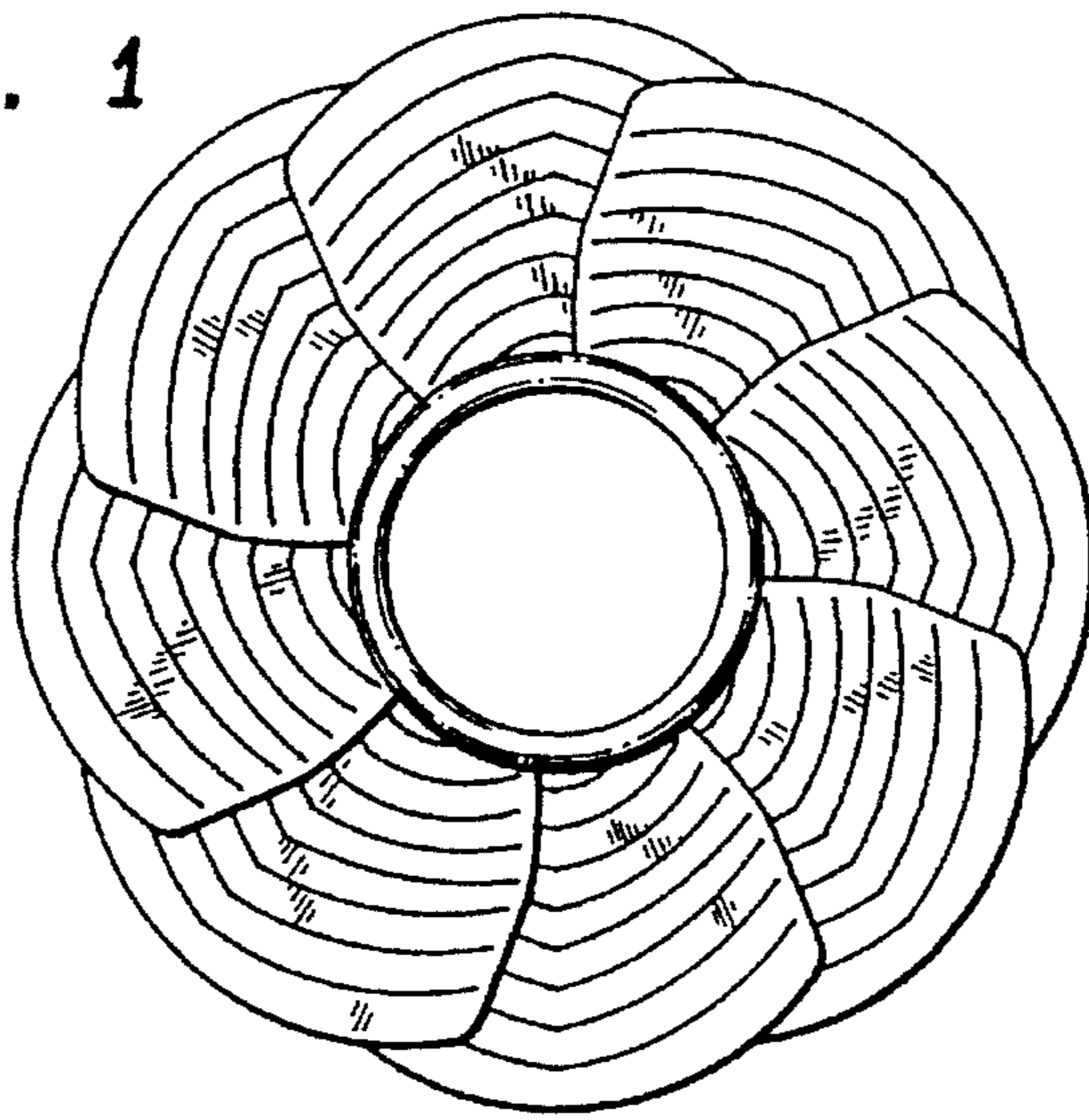


FIG. 2

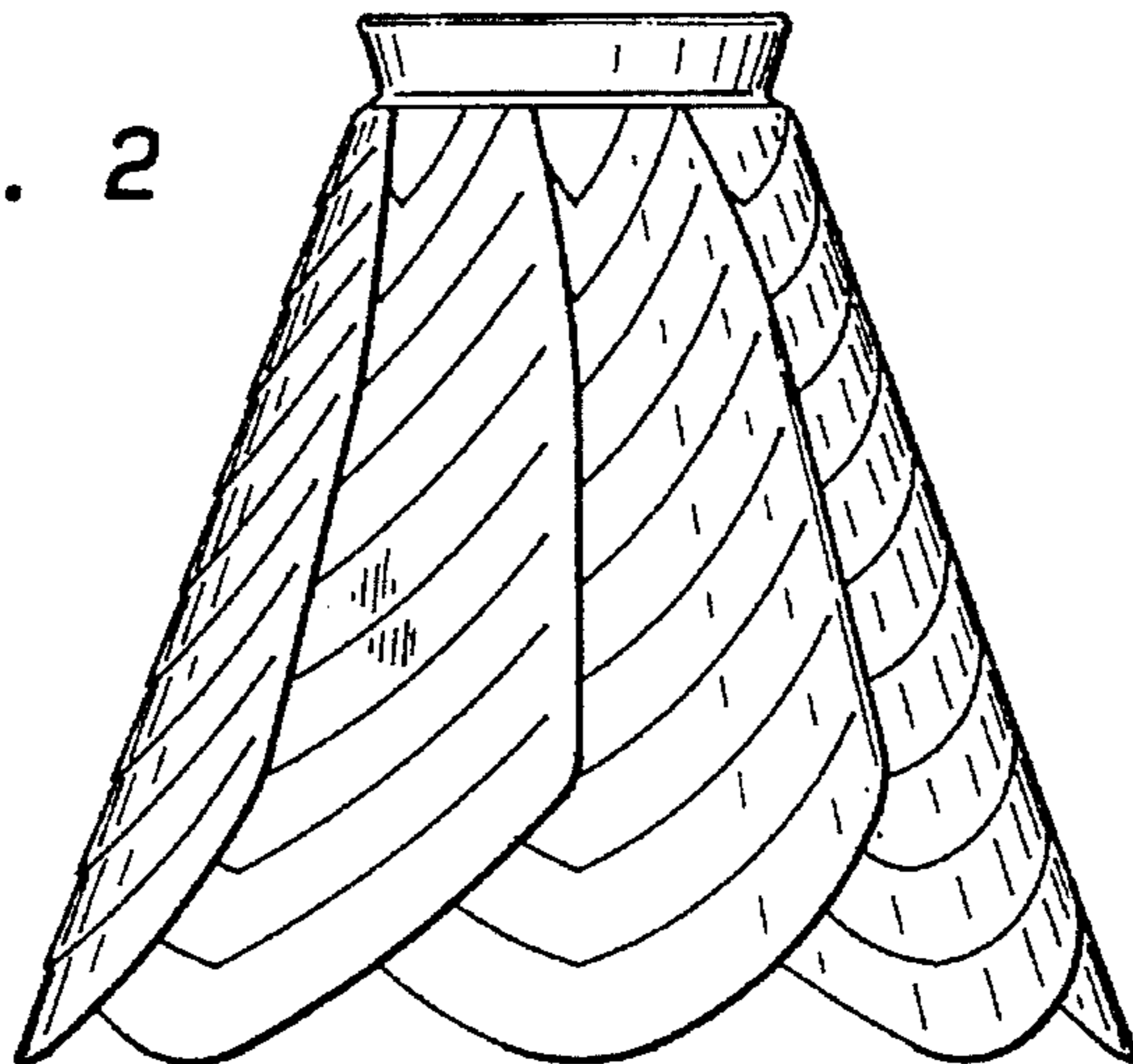


FIG. 3

