



US00D369876S

United States Patent [19] Muellenmeister

[11] Patent Number: **Des. 369,876**

[45] Date of Patent: ****May 14, 1996**

[54] **DESK LAMP**

D. 345,027 3/1994 Huang D26/65
5,333,103 7/1994 Cvek 362/413

[75] Inventor: **Daniel Muellenmeister**, Havixbeck, Germany

Primary Examiner—Susan J. Lucas

[73] Assignee: **Herbert Waldmann GmbH & Company**, Villingen-Schwenningen, Germany

[57] CLAIM

The ornamental design for a desk lamp, as shown and described.

[**] Term: **14 Years**

DESCRIPTION

[21] Appl. No.: **27,207**

FIG. 1 is a side elevational view of a desk lamp head showing my new design;

[22] Filed: **Aug. 16, 1994**

FIG. 2 is an enlarged side elevational view thereof;

[52] U.S. Cl. **D26/63**

FIG. 3 is a front elevational view thereof;

[58] Field of Search D26/60-66; 362/269, 362/274, 275, 285, 413, 418, 419, 427, 396

FIG. 4 is a rear elevational view thereof;

FIG. 5 is a top plan view thereof; and,

FIG. 6 is a bottom plan view thereof.

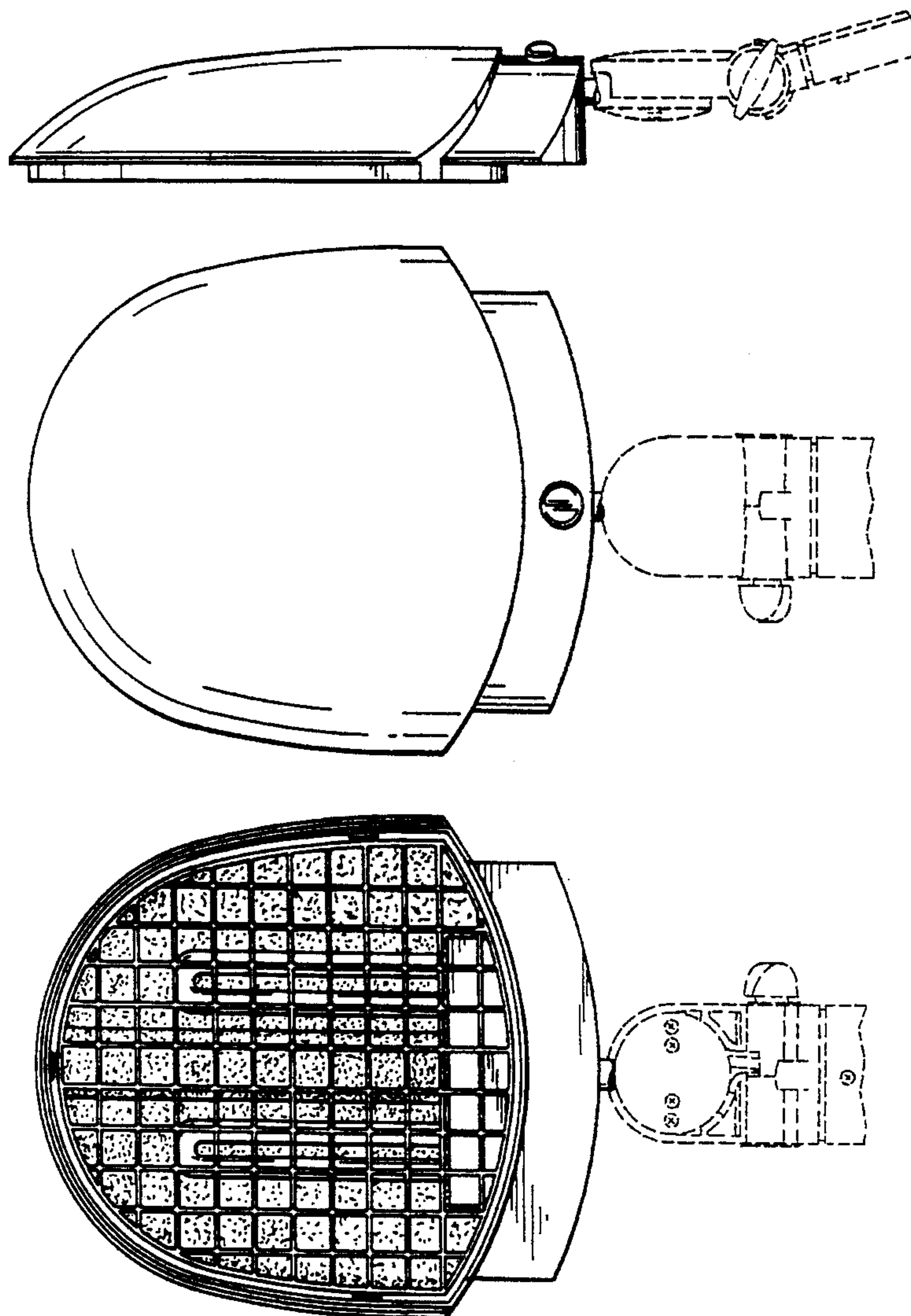
[56] References Cited

The adjustable arm is shown in broken lines for illustrative purposes only and forms no part of the claimed design.

U.S. PATENT DOCUMENTS

D. 326,334 5/1992 Meyer et al. D26/65

1 Claim, 3 Drawing Sheets



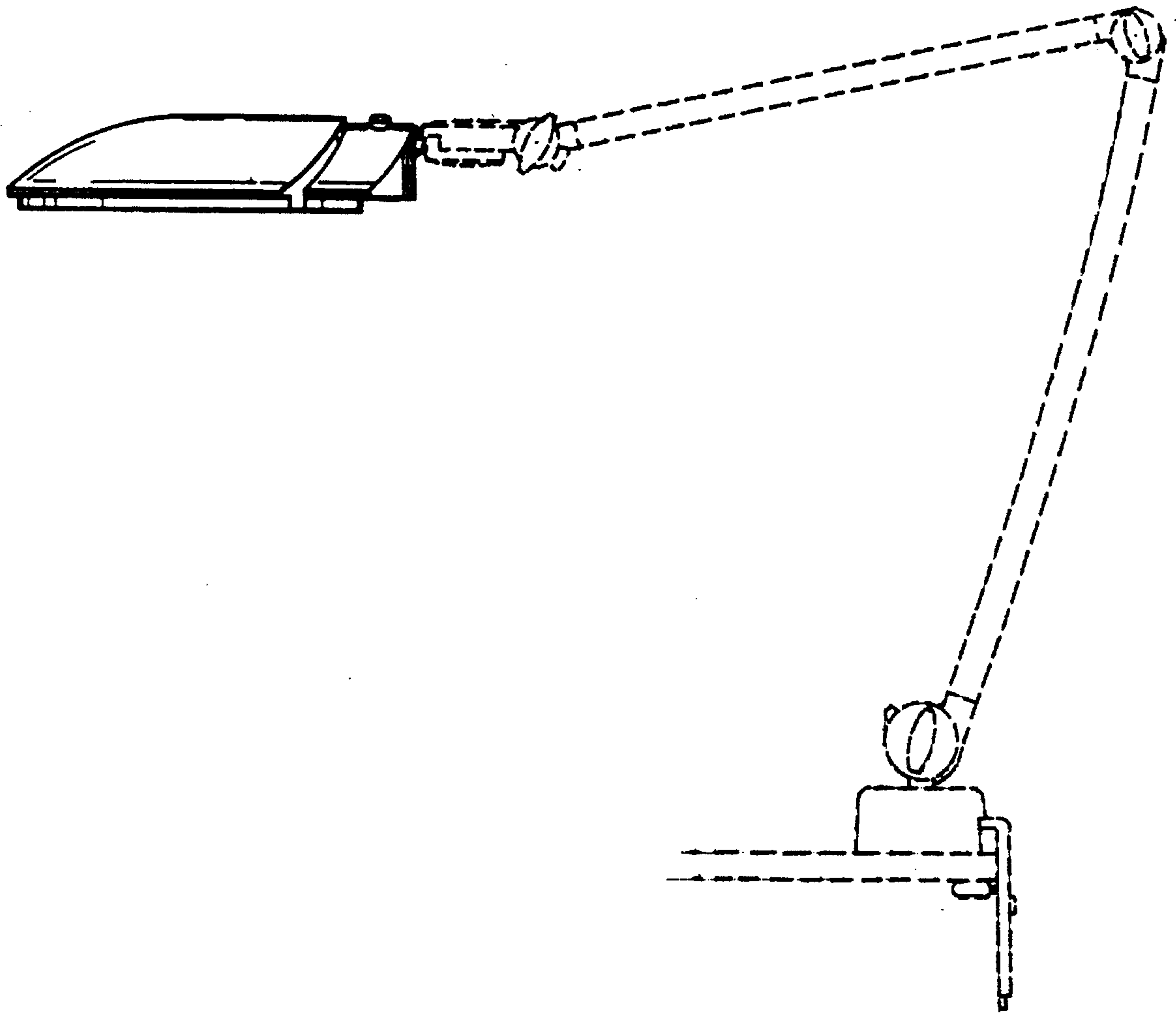


FIG.1

FIG. 2

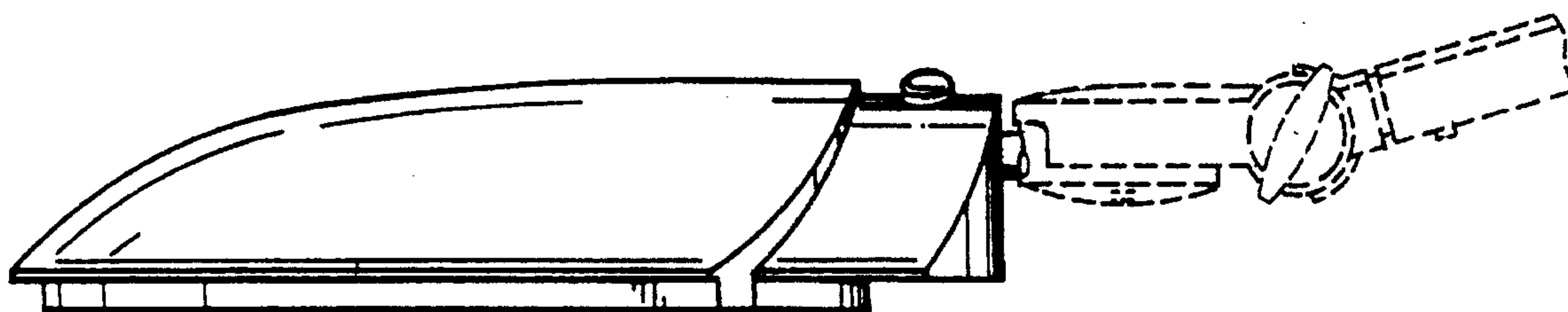


FIG. 3

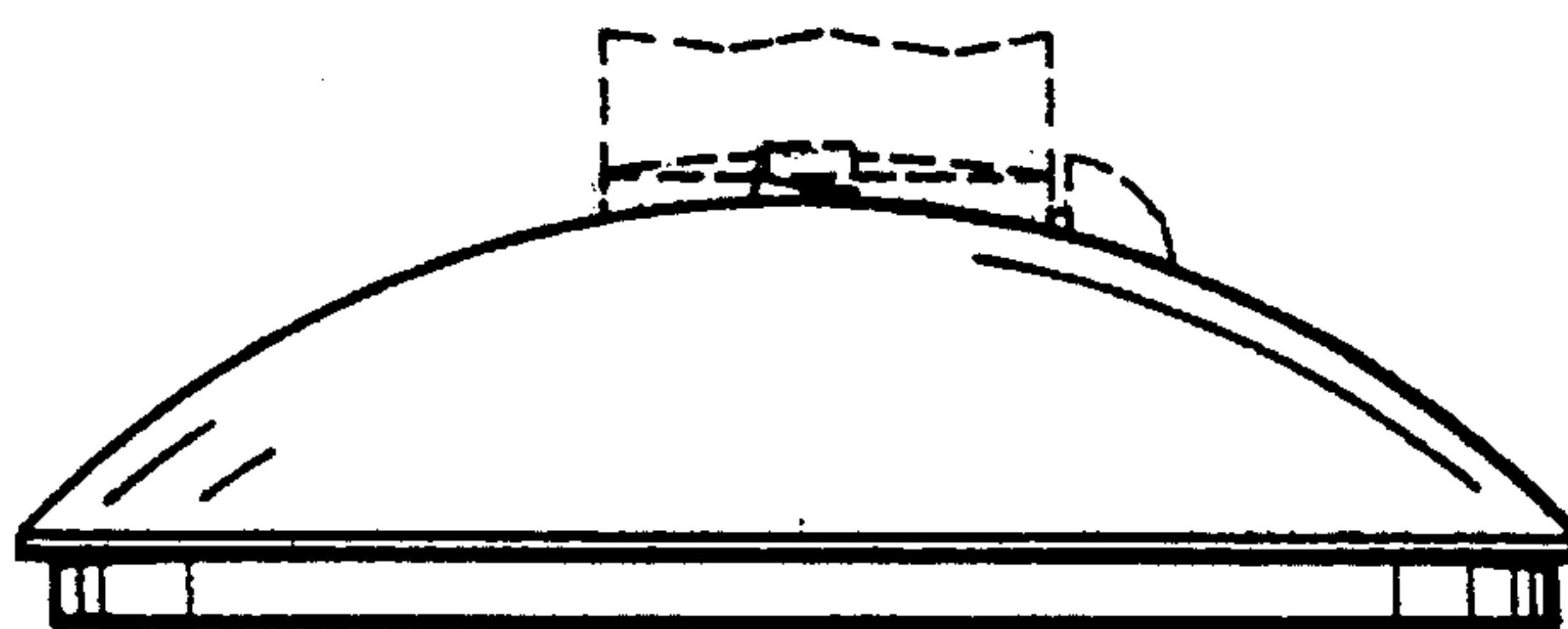


FIG. 4

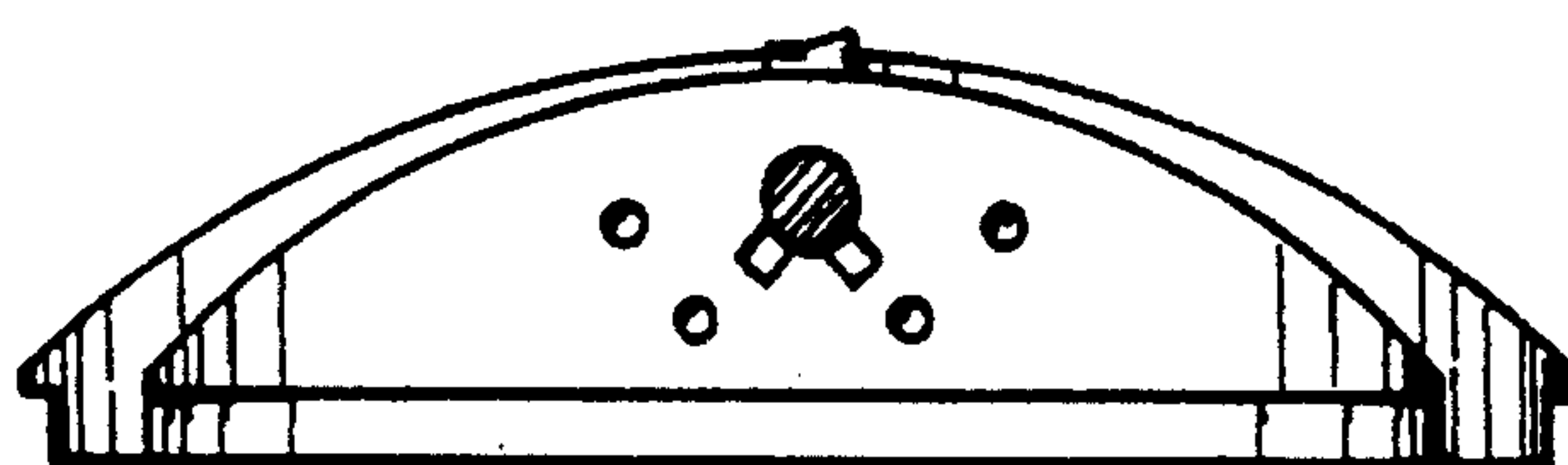


FIG. 5

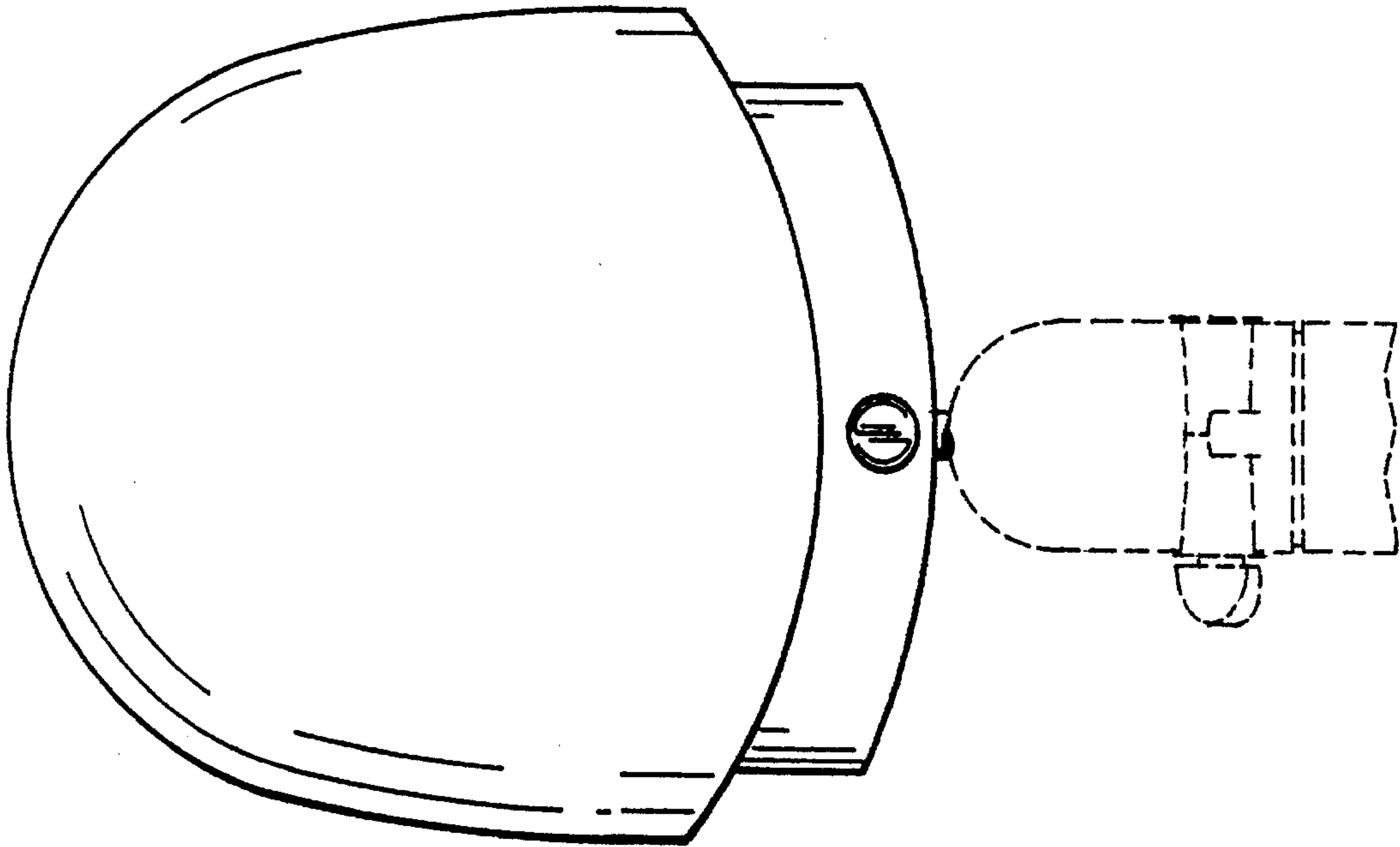


FIG. 6

