



US00D369875S

United States Patent [19] Carbone

[11] Patent Number: Des. 369,875
[45] Date of Patent: *** May 14, 1996

[54] HEAD FOR A FLASHLIGHT

[75] Inventor: **Richard J. Carbone**, Southbury, Conn.

[73] Assignee: **Black & Decker Inc.**, Newark, Del.

[*] Notice: The portion of the term of this patent subsequent to Mar. 12, 2010, has been disclaimed.

[**] Term: **14 Years**

[21] Appl. No.: **35,432**

[22] Filed: **Mar. 6, 1995**

[52] U.S. Cl. **D26/43**

[58] Field of Search D26/37-38, 43, D26/44, 46, 49, 60, 62; 362/157, 158, 184, 188, 189, 191, 198, 199, 200, 202, 362, 396

FOREIGN PATENT DOCUMENTS

004397	11/1984	Germany .
8907549	10/1989	Germany .
9100685	1/1991	Germany .
9307238	9/1993	Germany .
604541	7/1983	Japan .
609211	9/1983	Japan .
644196	1/1985	Japan .
650703	5/1985	Japan .
669446	12/1985	Japan .
670458	1/1986	Japan .
671712	2/1986	Japan .
671733	2/1986	Japan .
671734	2/1986	Japan .
685936	8/1986	Japan .
685937	8/1986	Japan .
685931	8/1986	Japan .
852350	11/1986	Japan .
694405	12/1986	Japan .

OTHER PUBLICATIONS

PS For Kids—Editors of Popular Science Magazine—pp. 28 and 29 Fall 1992.

Primary Examiner—A. Hugo Word
Assistant Examiner—Lavone Tabor
Attorney, Agent, or Firm—Barry E. Deutsch

[56] References Cited

U.S. PATENT DOCUMENTS

D. 147,258	8/1947	Becker .	
D. 152,584	2/1949	Becker .	
D. 166,073	3/1952	Dunkelberger .	
D. 190,295	5/1961	Becker .	
D. 192,935	5/1962	Becker et al. .	
D. 240,322	6/1976	Staub .	
D. 272,476	1/1984	McCloskey et al.	D26/46
D. 281,820	12/1985	Oba et al. .	
D. 283,645	4/1986	Tanaka .	
D. 291,010	7/1987	Fenne .	
D. 292,131	9/1987	Fenne .	
D. 296,478	6/1988	Powell et al. .	
D. 302,325	7/1989	Charet et al. .	
D. 304,089	10/1989	Wan .	
D. 306,351	2/1990	Charet et al. .	
D. 314,246	1/1991	Bache .	
D. 315,609	3/1991	Garrity	D26/49
D. 321,062	10/1991	Bonbright .	
D. 322,681	12/1991	Yuen .	
D. 323,403	1/1992	Sinrod	D26/38
D. 328,146	7/1992	Sinsteden .	
D. 328,504	9/1992	Yuen .	
D. 334,822	4/1993	Antognazza .	

(List continued on next page.)

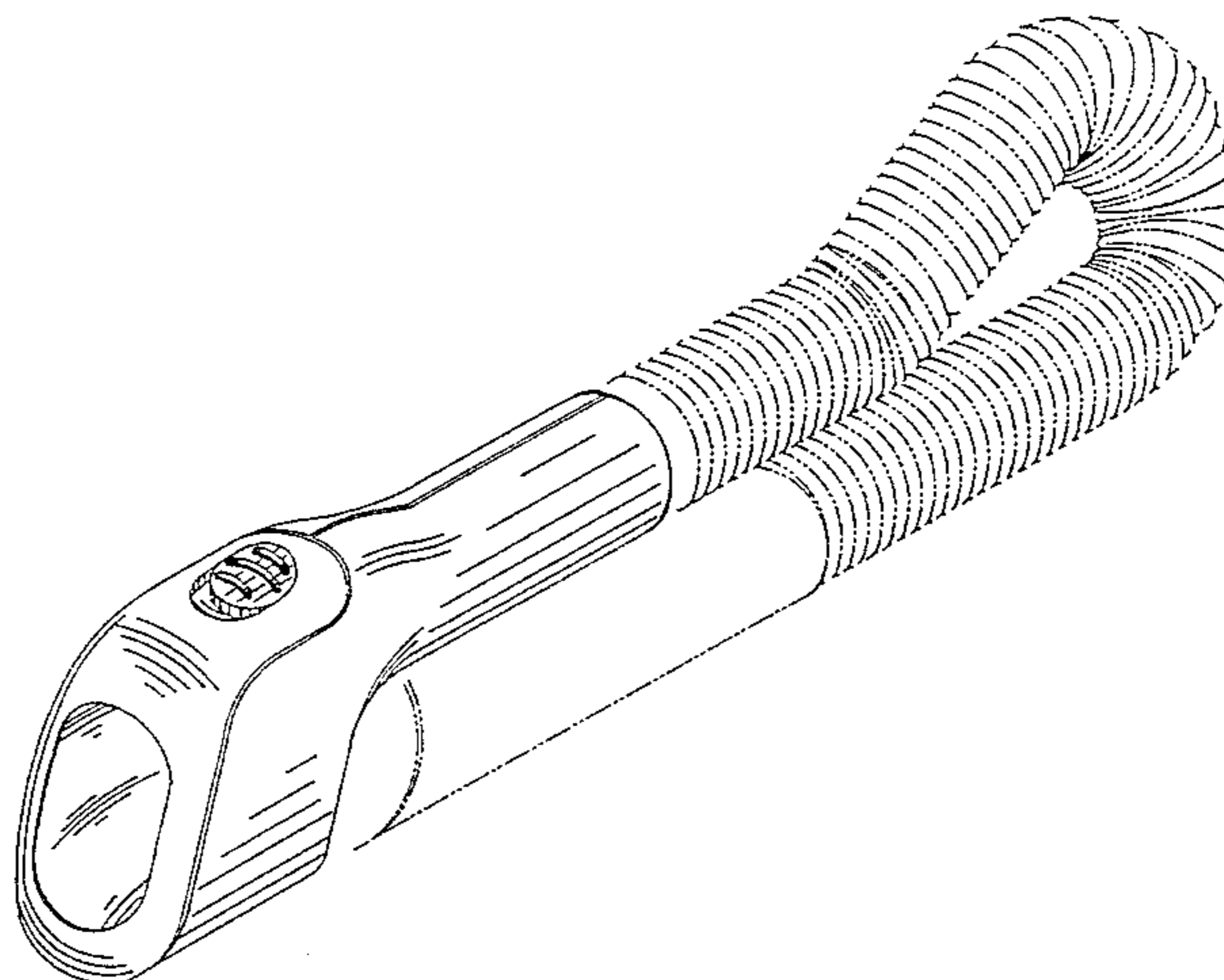
[57] CLAIM

The ornamental design for a head for a flashlight, as shown and described.

DESCRIPTION

FIG. 1 is a perspective view of a head for a flashlight taken from the front, top and right side thereof showing my new design, the portion shown in phantom is illustrative of a flexible core to which my new design may be attached; FIG. 2 is a right side elevational view thereof; FIG. 3 is a left side elevational view thereof; FIG. 4 is a top plan view thereof; FIG. 5 is a bottom plan view thereof; FIG. 6 is a front elevational view thereof; and, FIG. 7 is a rear elevational view thereof. The broken lines are for illustrative purposes only and form no part of the claimed design.

1 Claim, 3 Drawing Sheets



U.S. PATENT DOCUMENTS

D. 337,839	7/1993	Zeller .	3,393,312	7/1968	Dahl .
D. 338,542	8/1993	Yuen .	3,731,084	5/1973	Trevorrow .
D. 341,220	11/1993	Eagan .	4,495,550	1/1985	Visciano .
D. 345,811	4/1994	Van Deursen et al. .	4,803,605	2/1989	Schaller et al. .
2,467,954	4/1949	Becker .	4,839,599	6/1989	Fischer .
2,581,129	1/1952	Muldoon .	4,903,178	2/1990	Englot et al. .
2,648,762	8/1953	Dunkelberger .	5,103,384	4/1992	Drohan .
3,103,723	9/1963	Becker .	5,154,483	10/1992	Zeller .
3,111,277	11/1963	Grimsley .	5,163,752	11/1992	Copeland et al. .
3,393,311	7/1968	Dahl .	5,268,826	12/1993	Greene .
			5,276,596	1/1994	Krenzel .

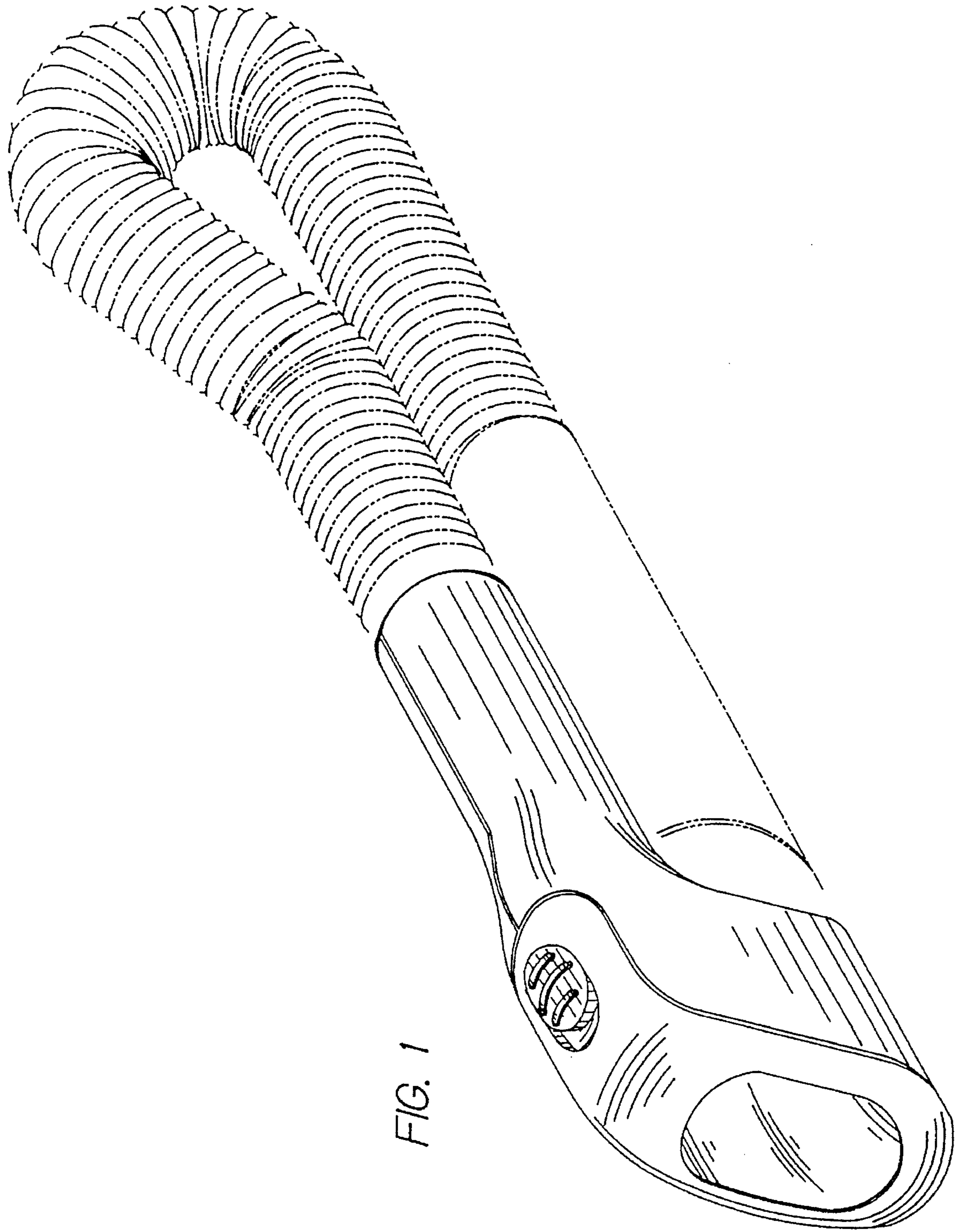


FIG. 1

FIG. 2

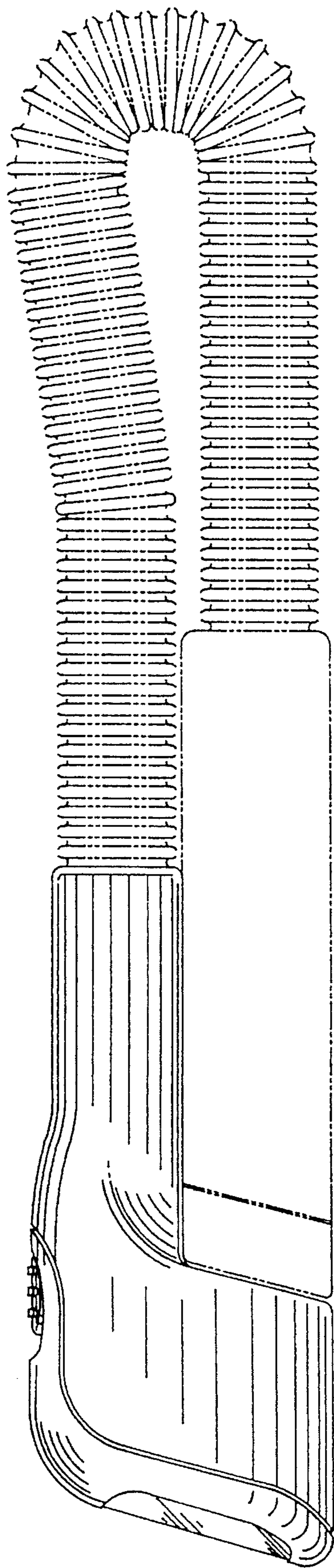


FIG. 3

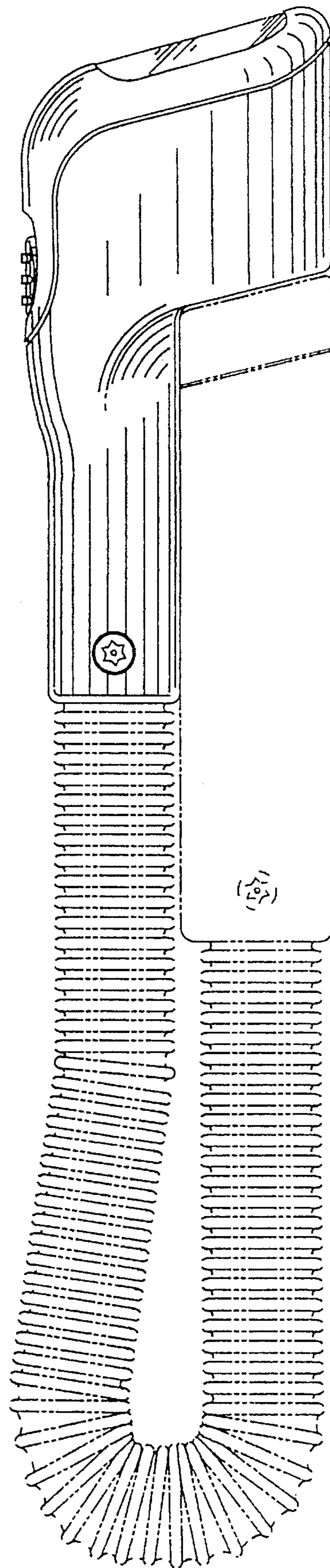


FIG. 4

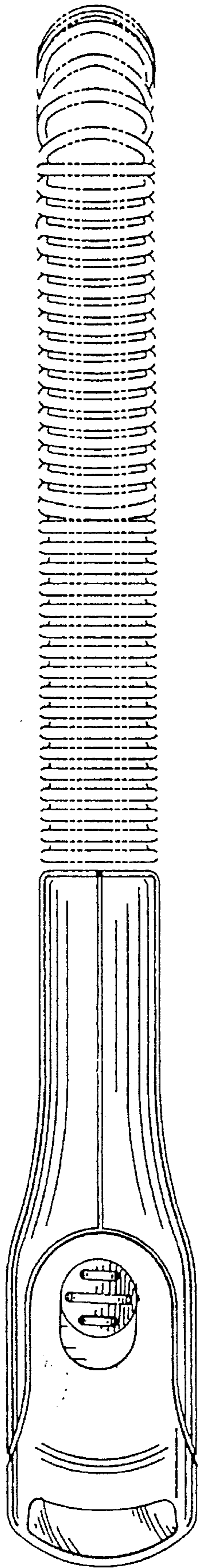


FIG. 5

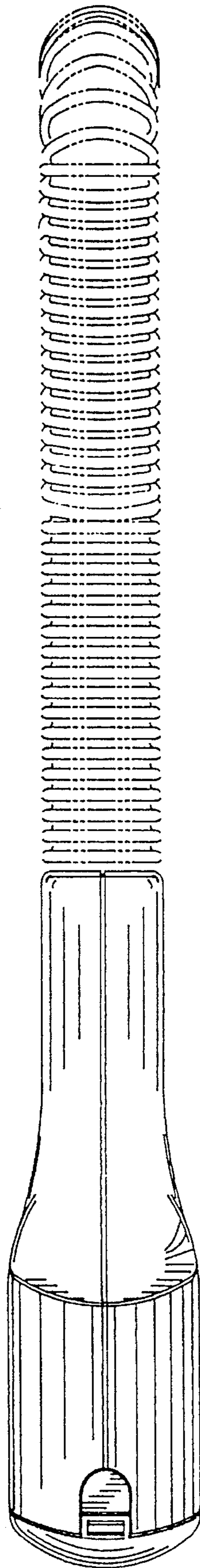


FIG. 6

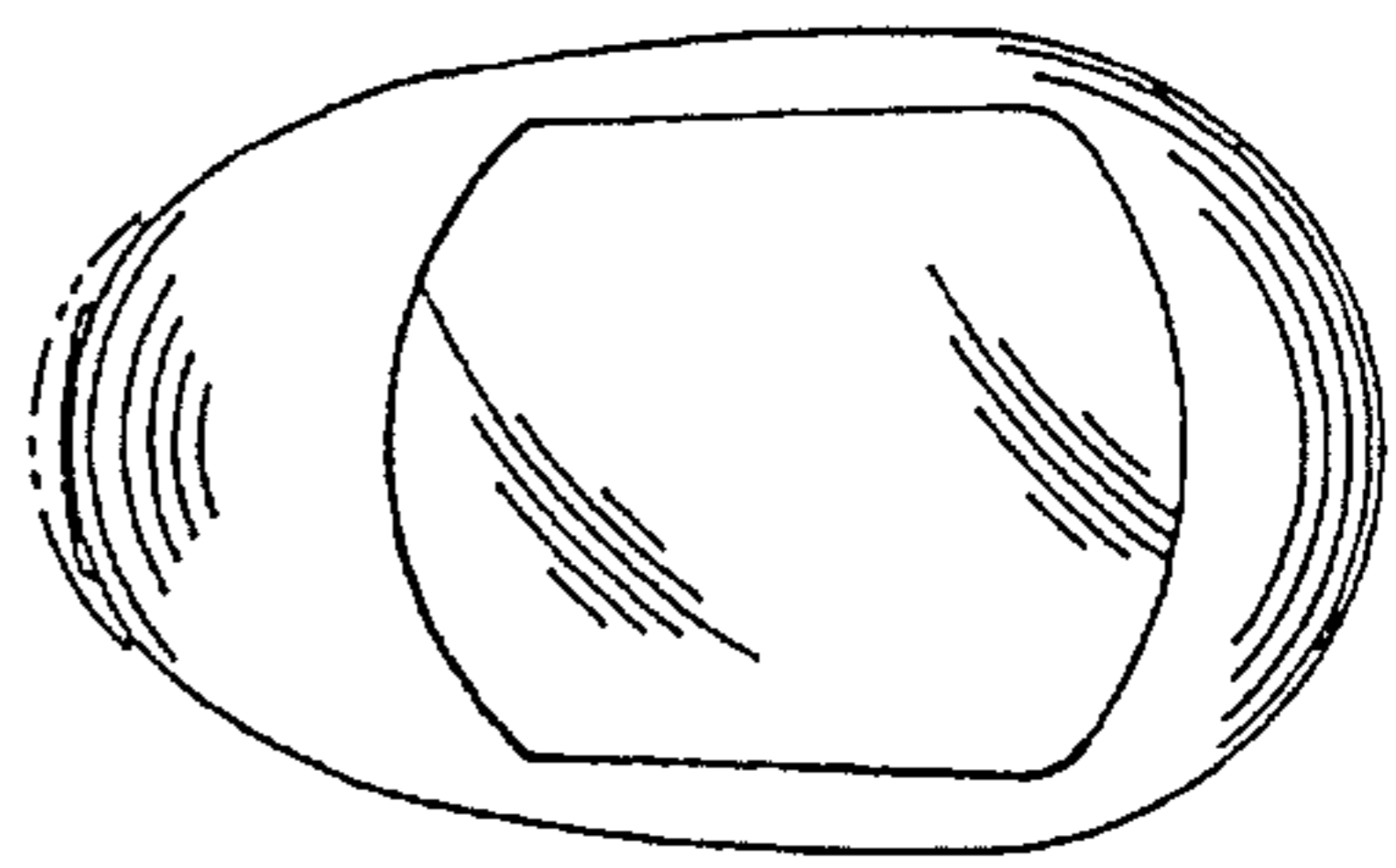


FIG. 7

