



US00D369874S

United States Patent [19]
Santarsiero

[11] **Patent Number: Des. 369,874**
[45] **Date of Patent: **May 14, 1996**

[54] **FLASHLIGHT**

[75] Inventor: **Paul S. Santarsiero**, Avon, Conn.
[73] Assignee: **Black & Decker Inc.**, Newark, Del.
[**] Term: **14 Years**

[21] Appl. No.: **34,832**
[22] Filed: **Feb. 13, 1995**
[52] U.S. Cl. **D26/43**
[58] **Field of Search** D26/37, 43, 44,
D26/46, 49, 60, 62; 362/157, 158, 184,
188, 189, 191, 198, 199, 200, 396, 202,
362

[56] **References Cited**

U.S. PATENT DOCUMENTS

D. 147,258	8/1947	Becker	D26/43
D. 166,073	3/1952	Dunkelberger	D26/43
D. 314,246	1/1991	Bache	D26/62
D. 328,146	7/1992	Sinsteden	D26/49
3,111,277	11/1963	Grimsley	D26/63 X

FOREIGN PATENT DOCUMENTS

685937	8/1986	Japan	D26/43
--------	--------	-------	-------	--------

OTHER PUBLICATIONS

Hong Kong Enterprise, Jul. 1987; Magic Light-Item Ke-218, p. 165.

Primary Examiner—A. Hugo Word
Assistant Examiner—Lavone D. Tabor
Attorney, Agent, or Firm—Barry E. Deutsch

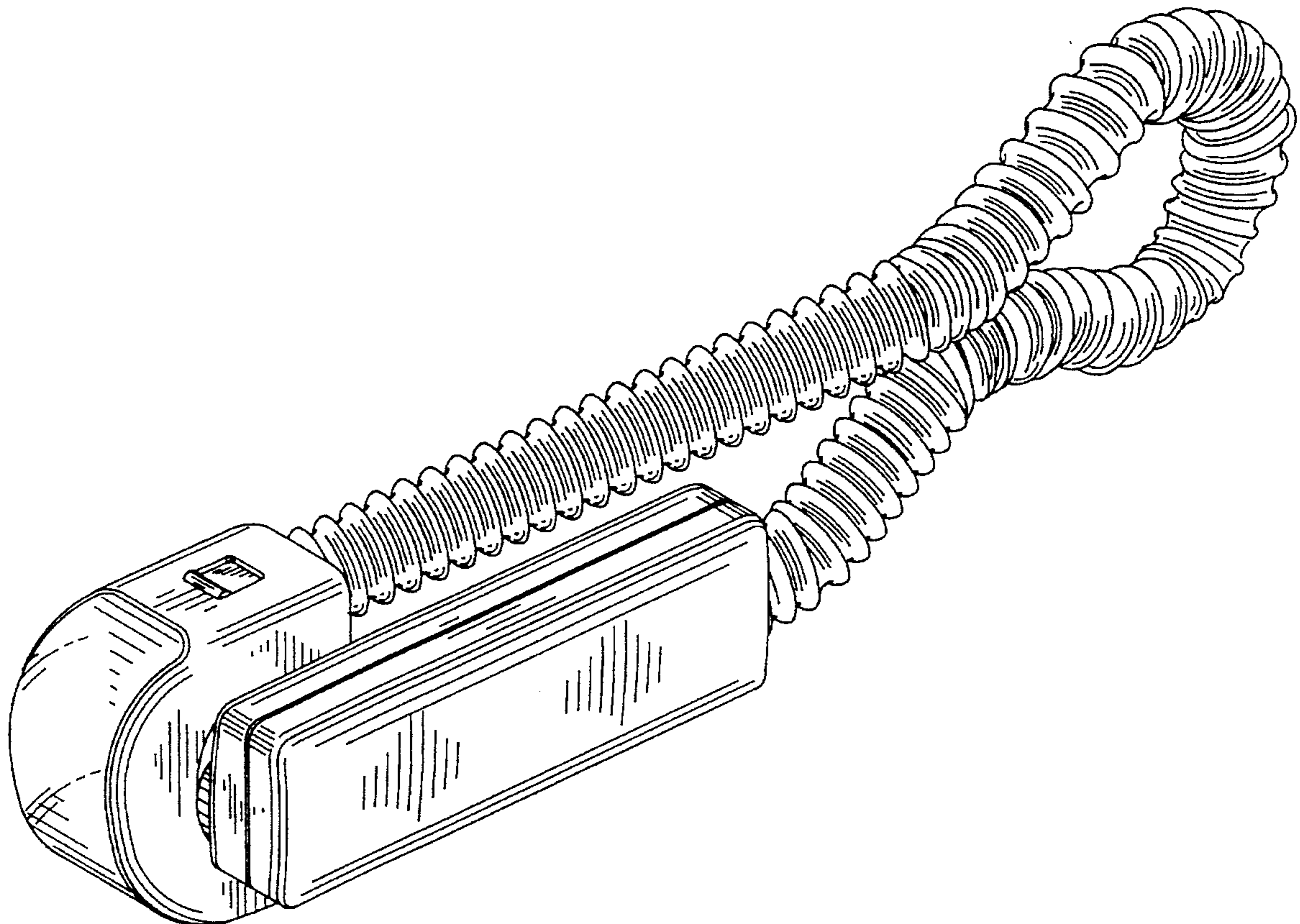
[57] **CLAIM**

The ornamental design for a flashlight, as shown and described.

DESCRIPTION

FIG. 1 is a perspective view taken from the top, front and right side of a flashlight showing my new design;
FIG. 2 is a top plan view thereof;
FIG. 3 is a bottom plan view thereof;
FIG. 4 is a front elevational view thereof;
FIG. 5 is a rear elevational view thereof;
FIG. 6 is a right side elevational view thereof; and,
FIG. 7 is a left side elevational view thereof.

1 Claim, 3 Drawing Sheets



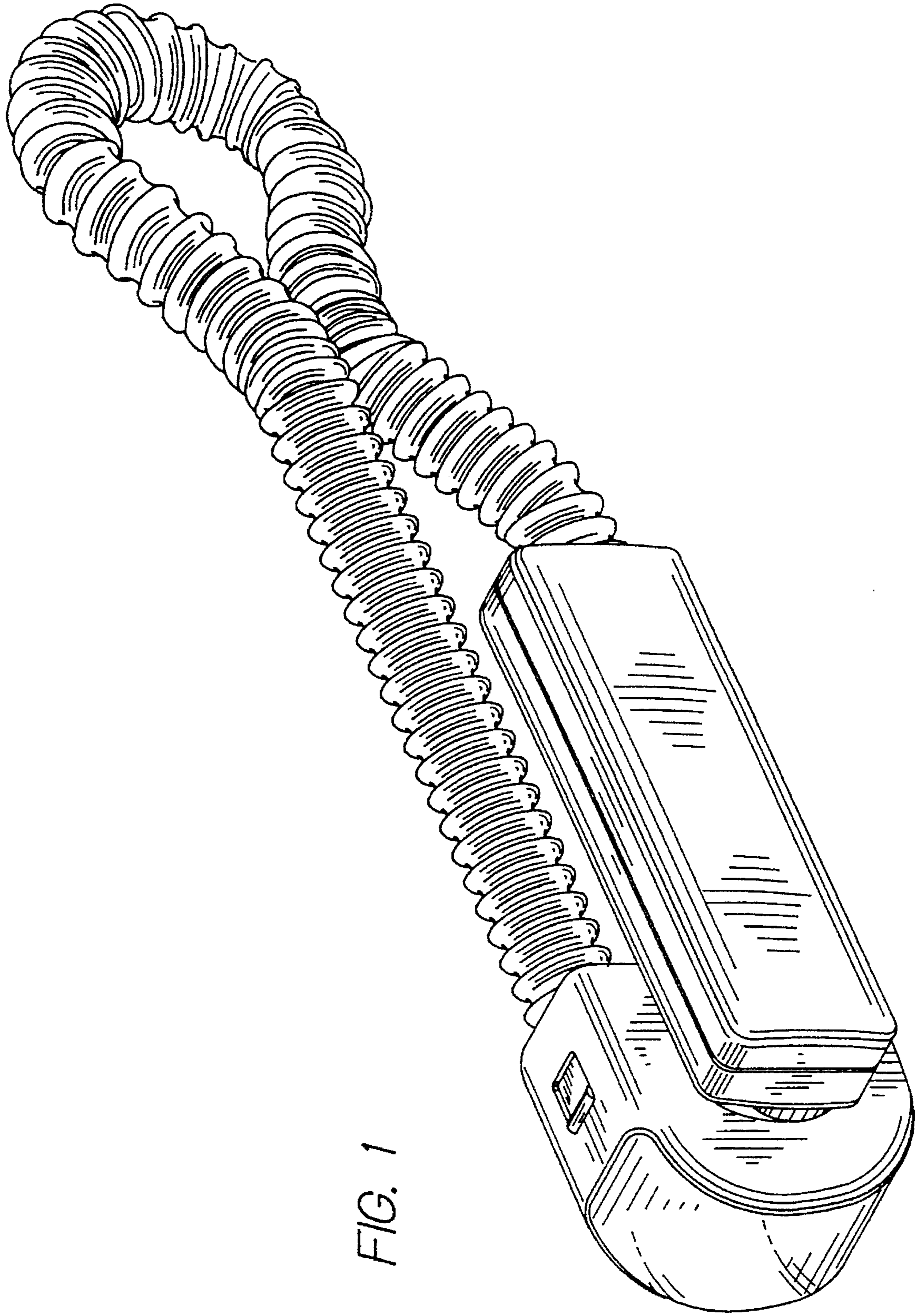


FIG. 1

FIG. 2

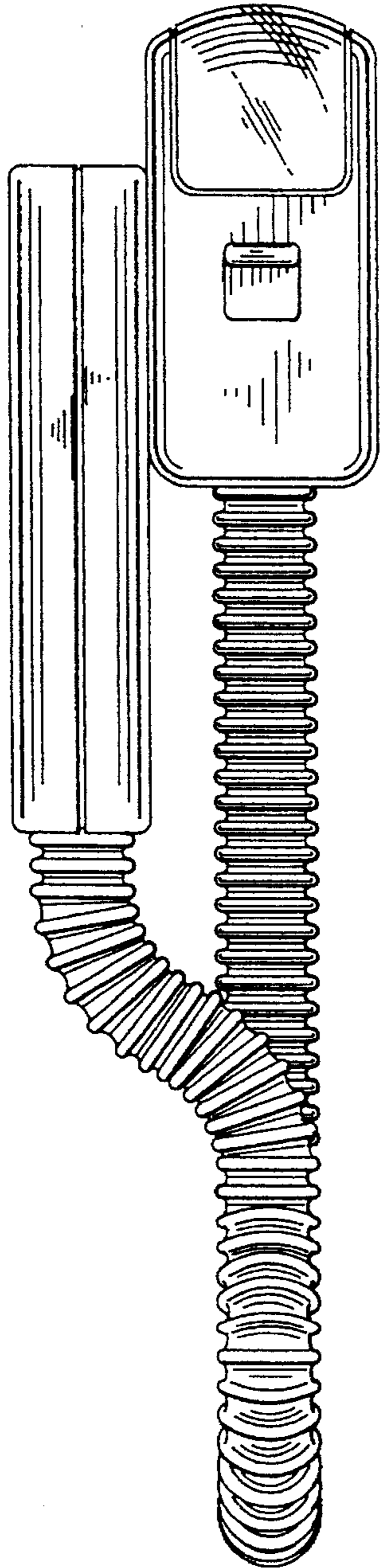


FIG. 3

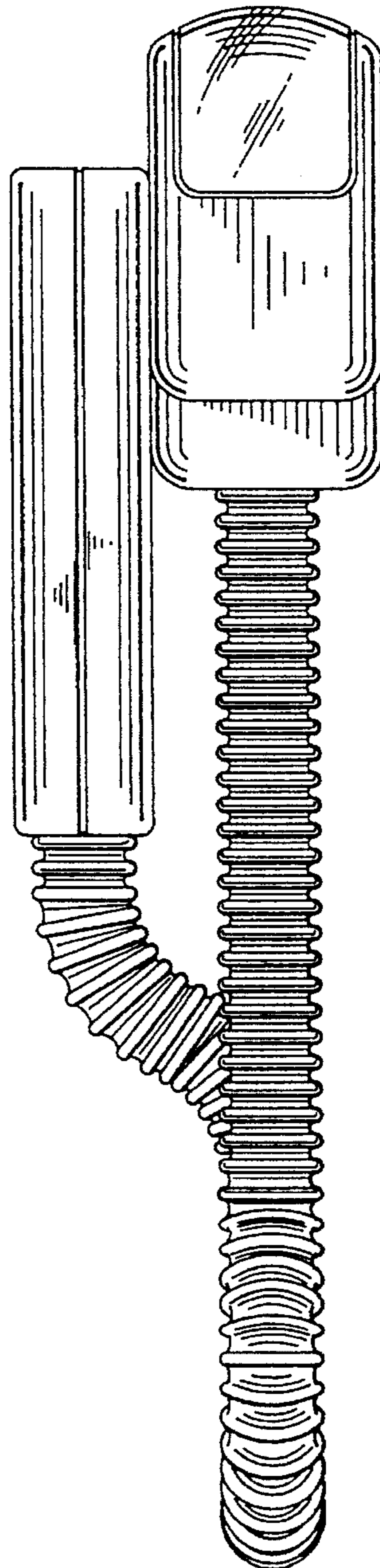


FIG. 4

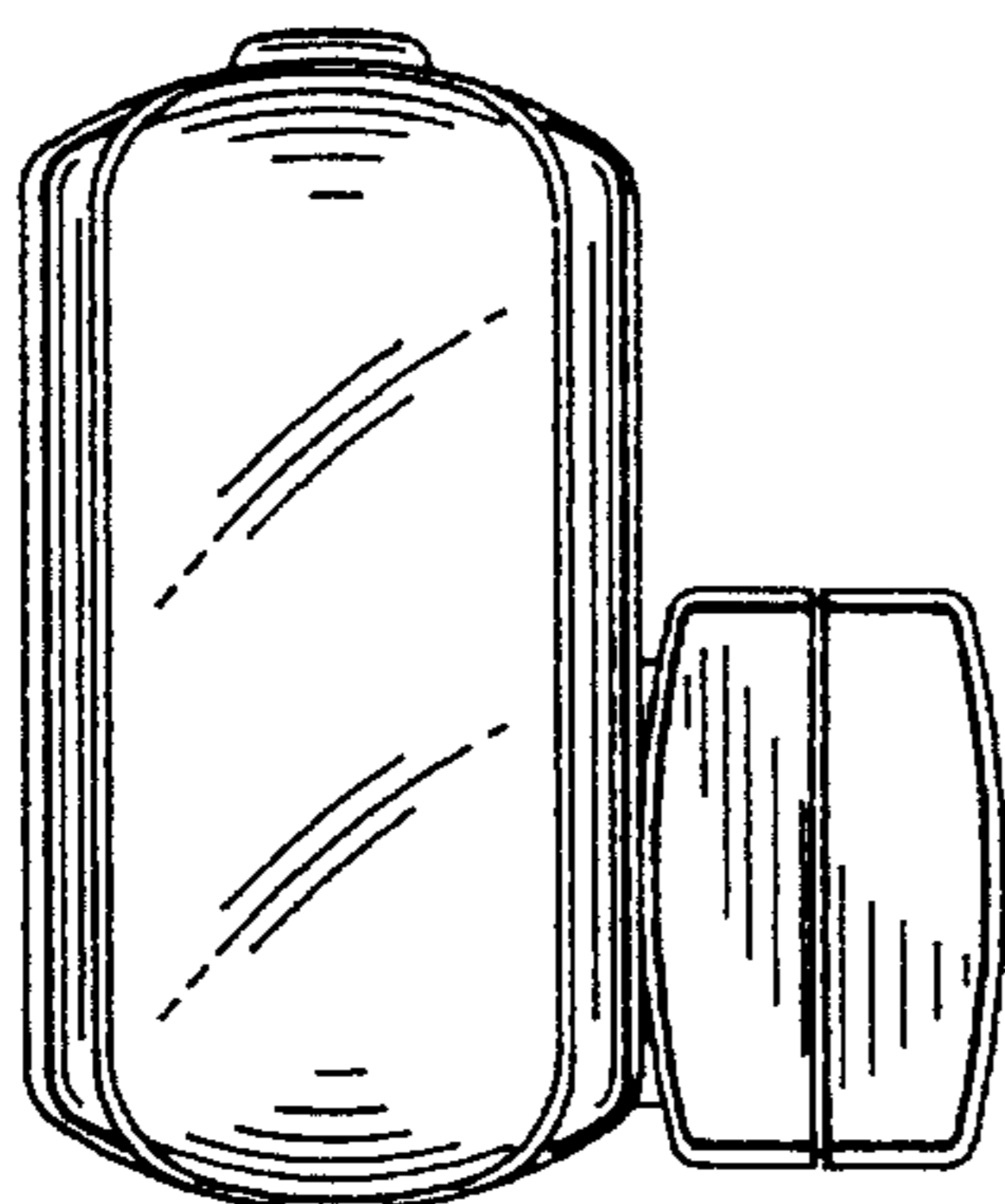
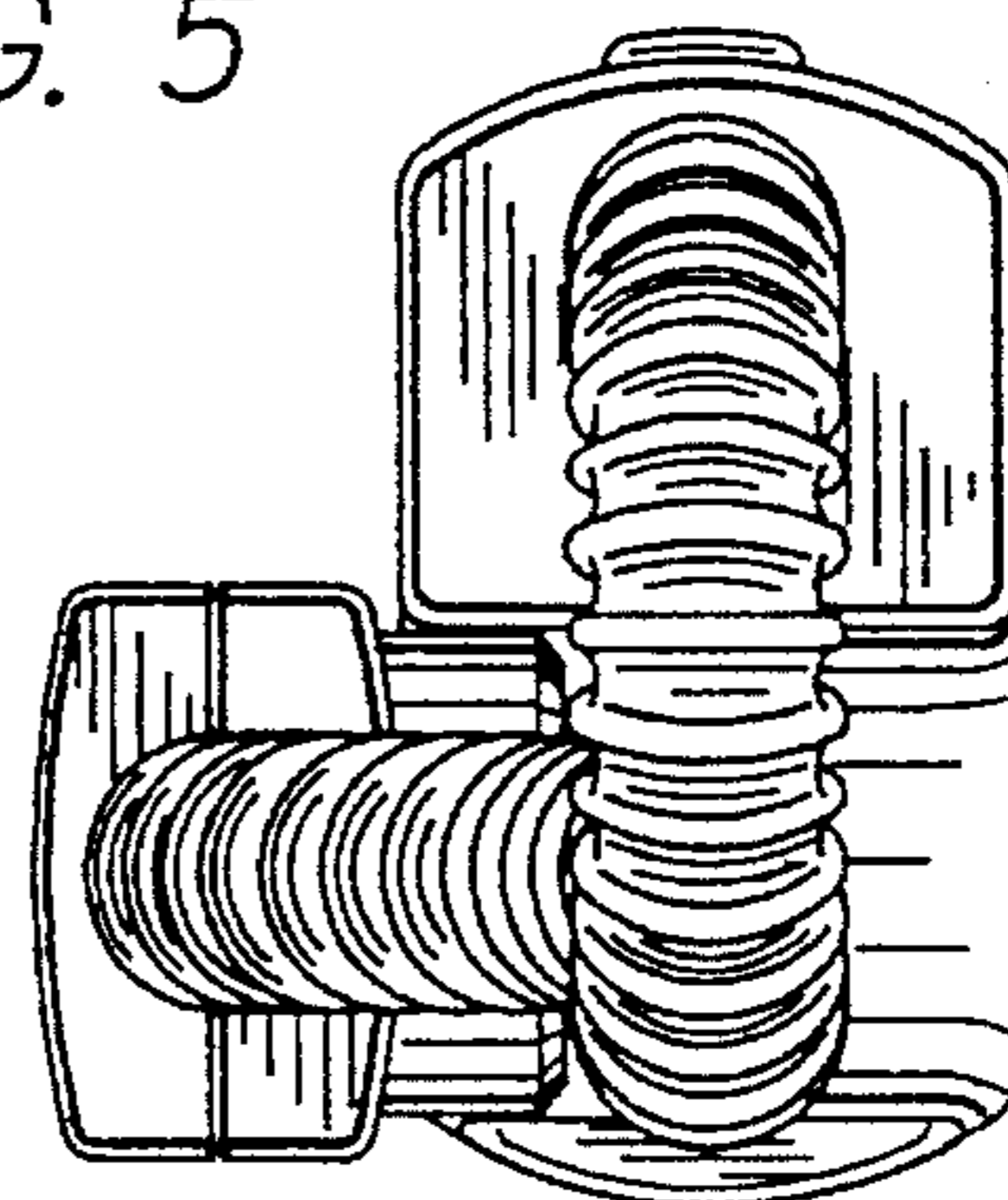


FIG. 5



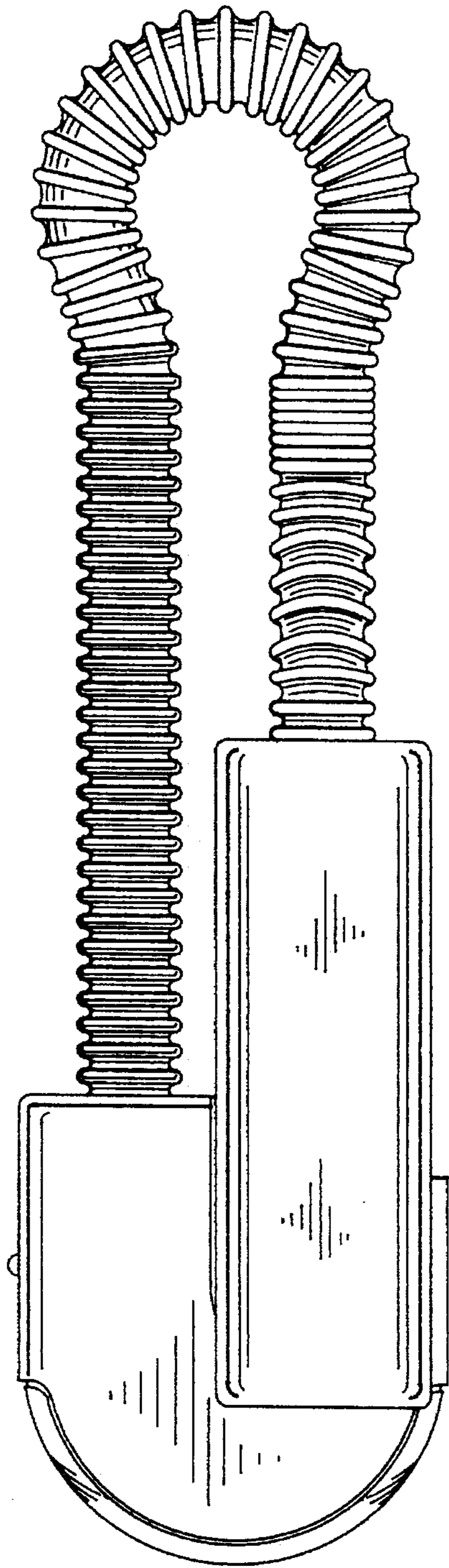


FIG. 6

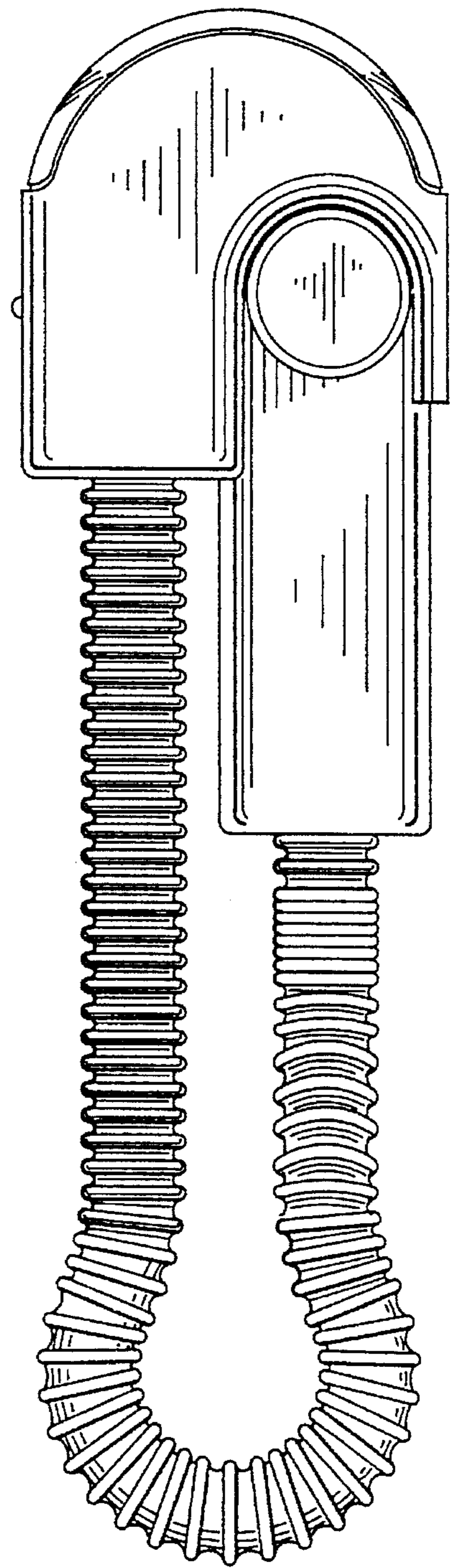


FIG. 7