



US00D369872S

# United States Patent [19] Pink

[11] Patent Number: **Des. 369,872**

[45] Date of Patent: **\*\*May 14, 1996**

[54] **PORTABLE AUTOMOBILE INTERIOR LIGHT**

2,591,131 4/1952 Brus ..... D26/28

[76] Inventor: **Frederick C. Pink**, 14 Mile Stretch Rd., Biddeford Pool, Me. 04006

*Primary Examiner*—Marcus A. Jackson  
*Attorney, Agent, or Firm*—William Nitkin

[\*\*] Term: **14 Years**

[57] **CLAIM**

The ornamental design for a portable automobile interior light, as shown and described.

[21] Appl. No.: **34,460**

**DESCRIPTION**

[22] Filed: **Feb. 6, 1995**

[52] U.S. Cl. .... **D26/28**

[58] **Field of Search** ..... D10/104, 114, D10/115, 121; D26/75, 76, 77, 78, 85-91, 28-35; 362/226, 147, 216, 217, 219, 220, 223, 224

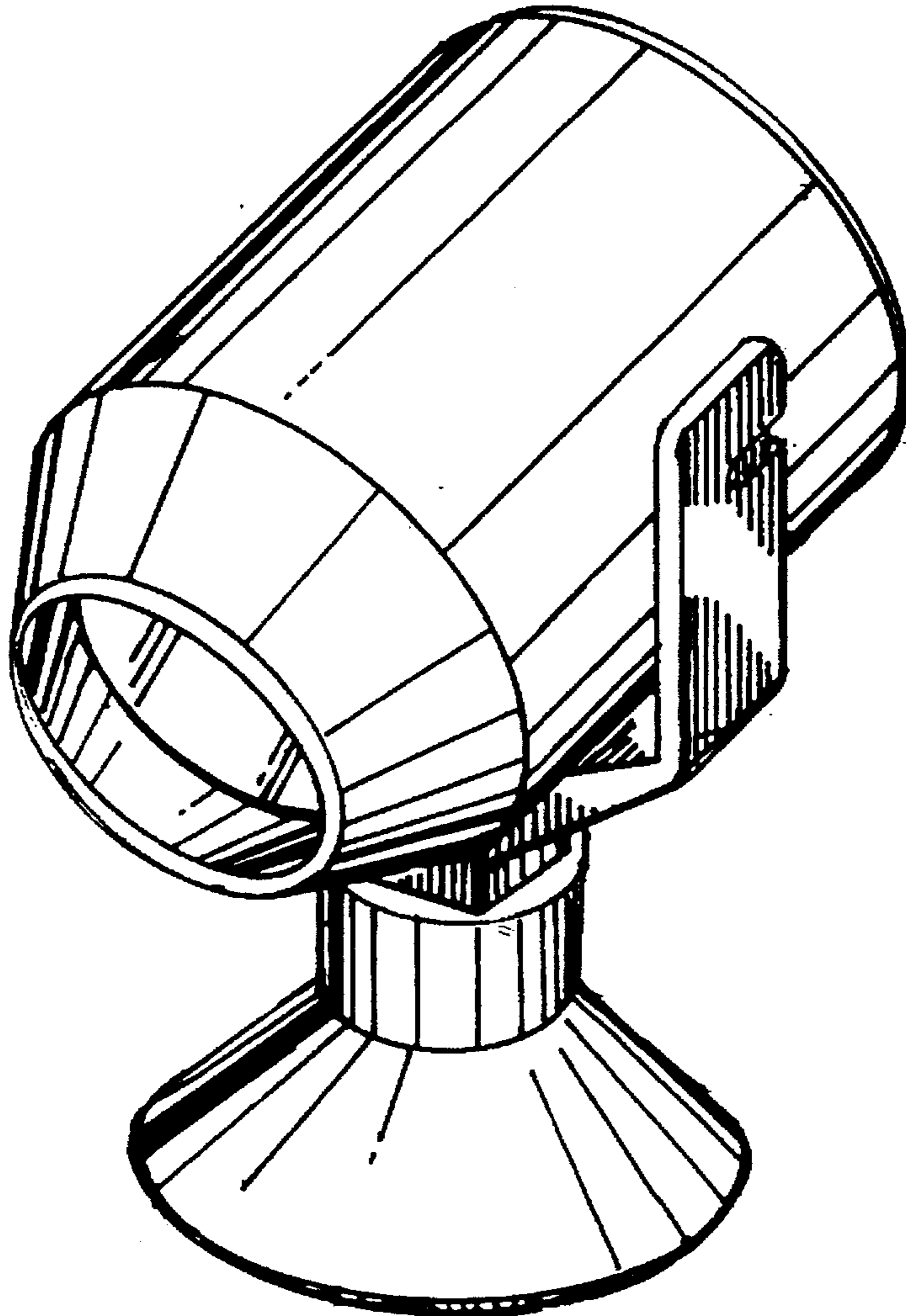
FIG. 1 is a right side elevational view of a portable automobile interior light showing my new design; FIG. 2 is a left side elevational view thereof; FIG. 3 is a front elevational view thereof; FIG. 4 is a rear elevational view thereof; FIG. 5 is a bottom plan view thereof; FIG. 6 is a top plan view thereof; FIG. 7 is a front perspective view thereof with light unit tilted 90 degrees; and, FIG. 8 is a right side view thereof with light unit tilted 90 degrees.

[56] **References Cited**

**U.S. PATENT DOCUMENTS**

|            |        |              |        |
|------------|--------|--------------|--------|
| D. 269,464 | 6/1983 | Caroli ..... | D26/28 |
| D. 301,174 | 5/1989 | Bosgal ..... | D26/28 |
| D. 334,821 | 4/1993 | Morgan ..... | D26/28 |
| D. 358,675 | 5/1995 | Wyse .....   | D26/28 |

**1 Claim, 3 Drawing Sheets**



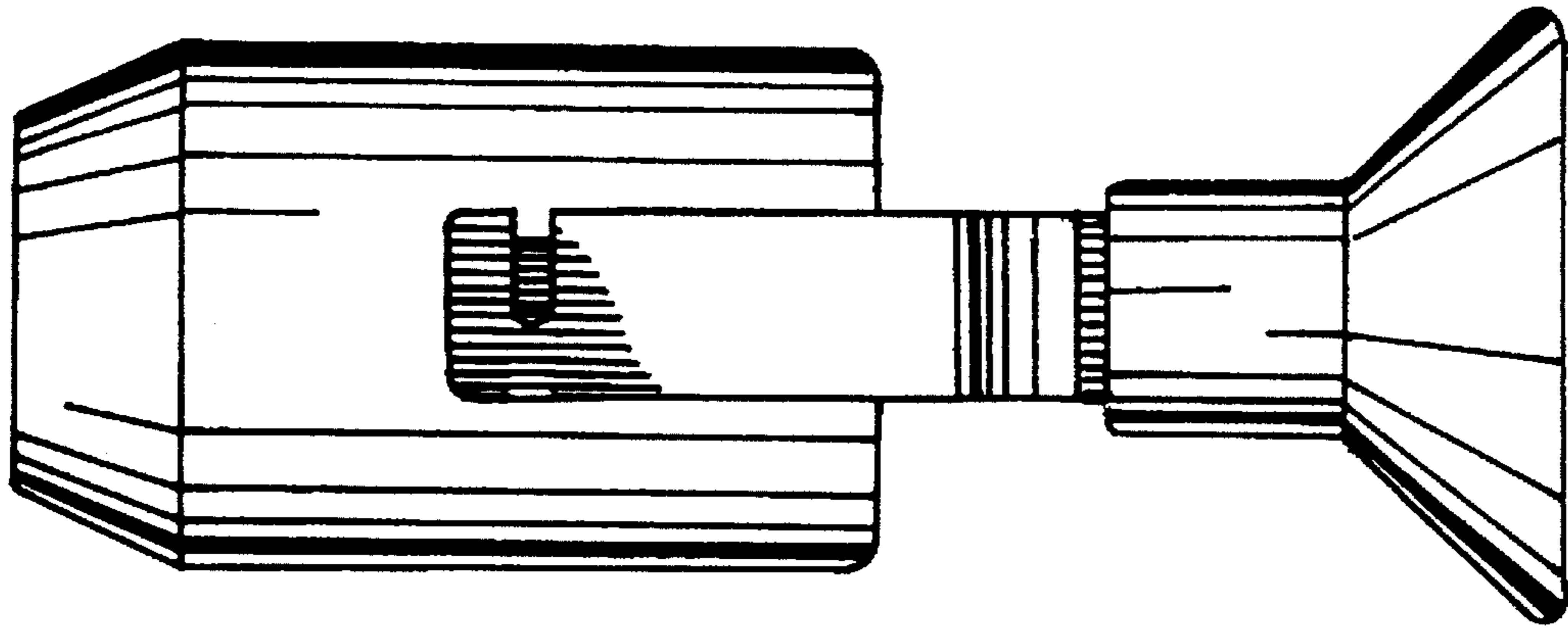


FIG. 2

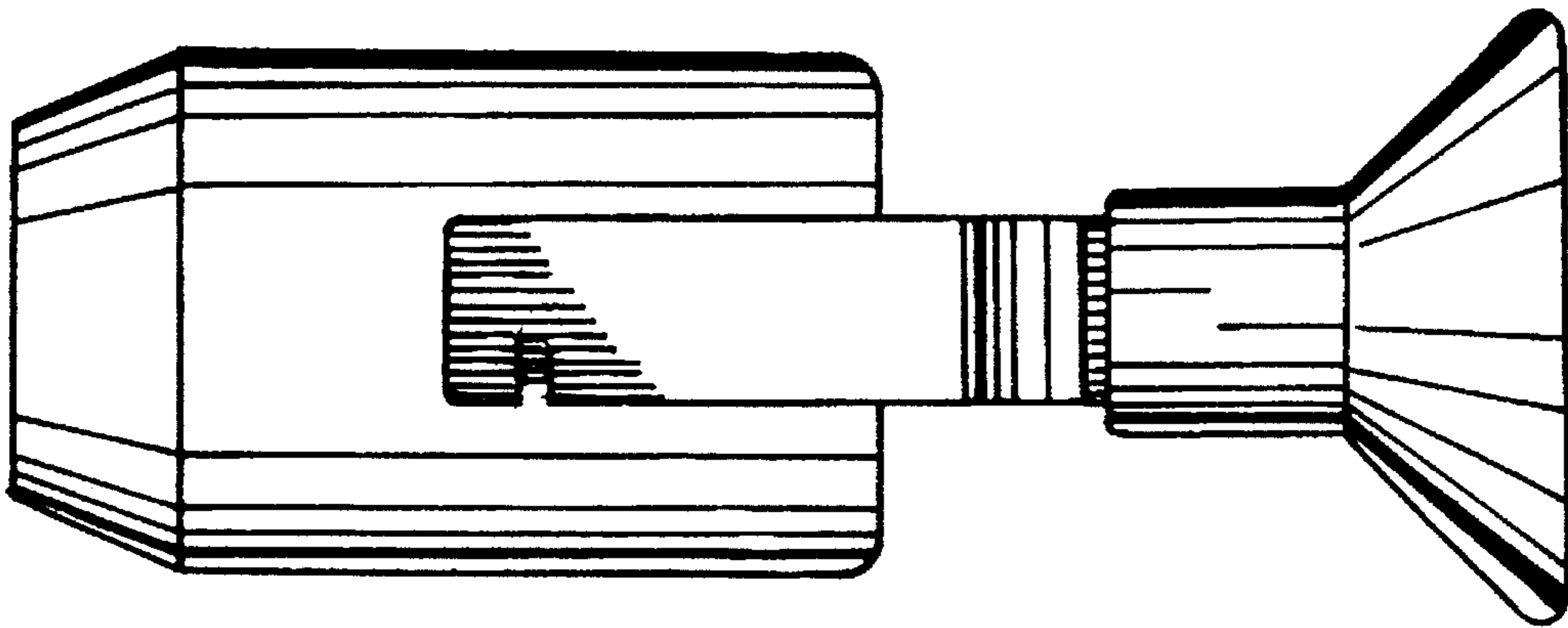


FIG. 1

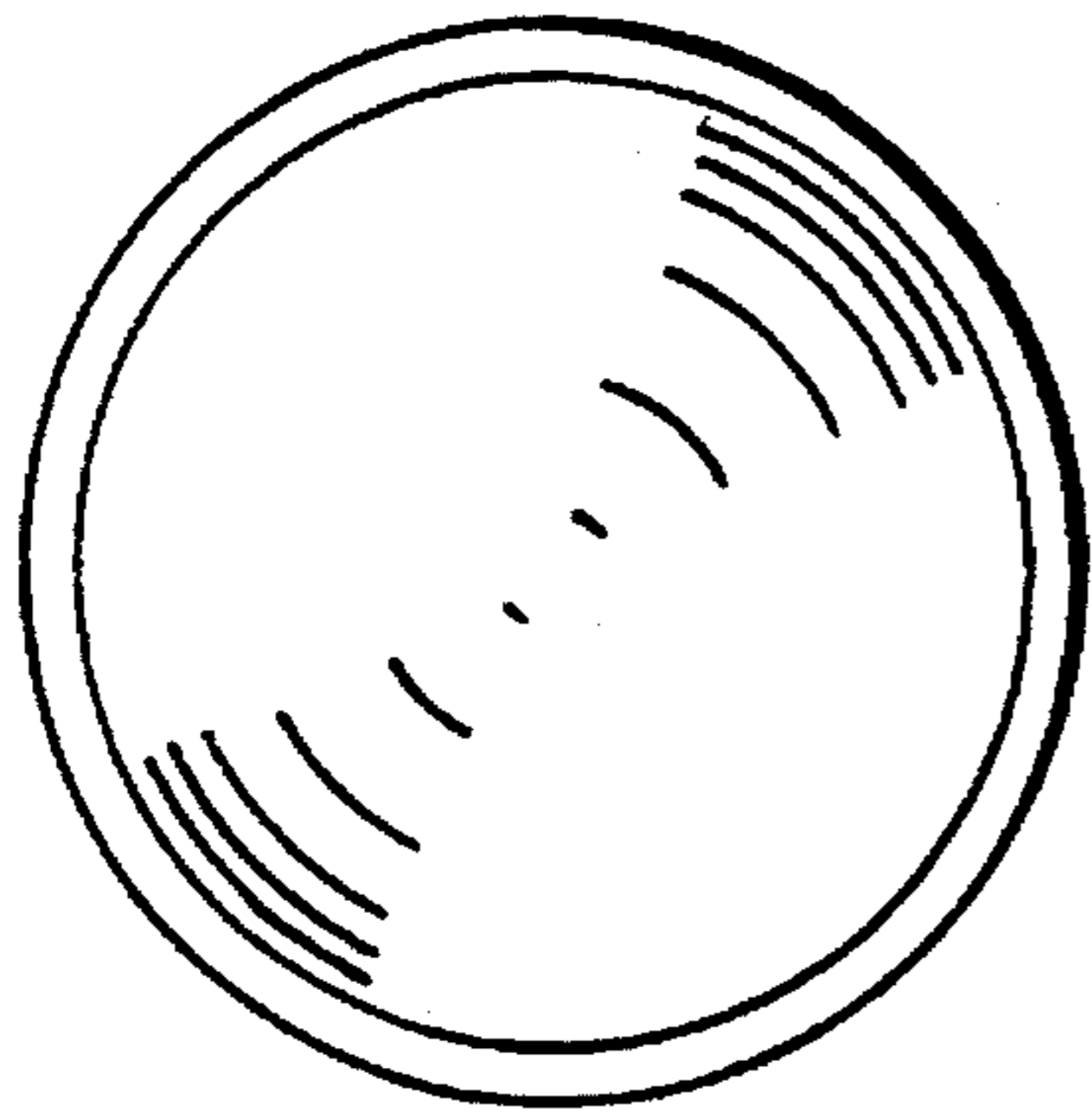


FIG. 5

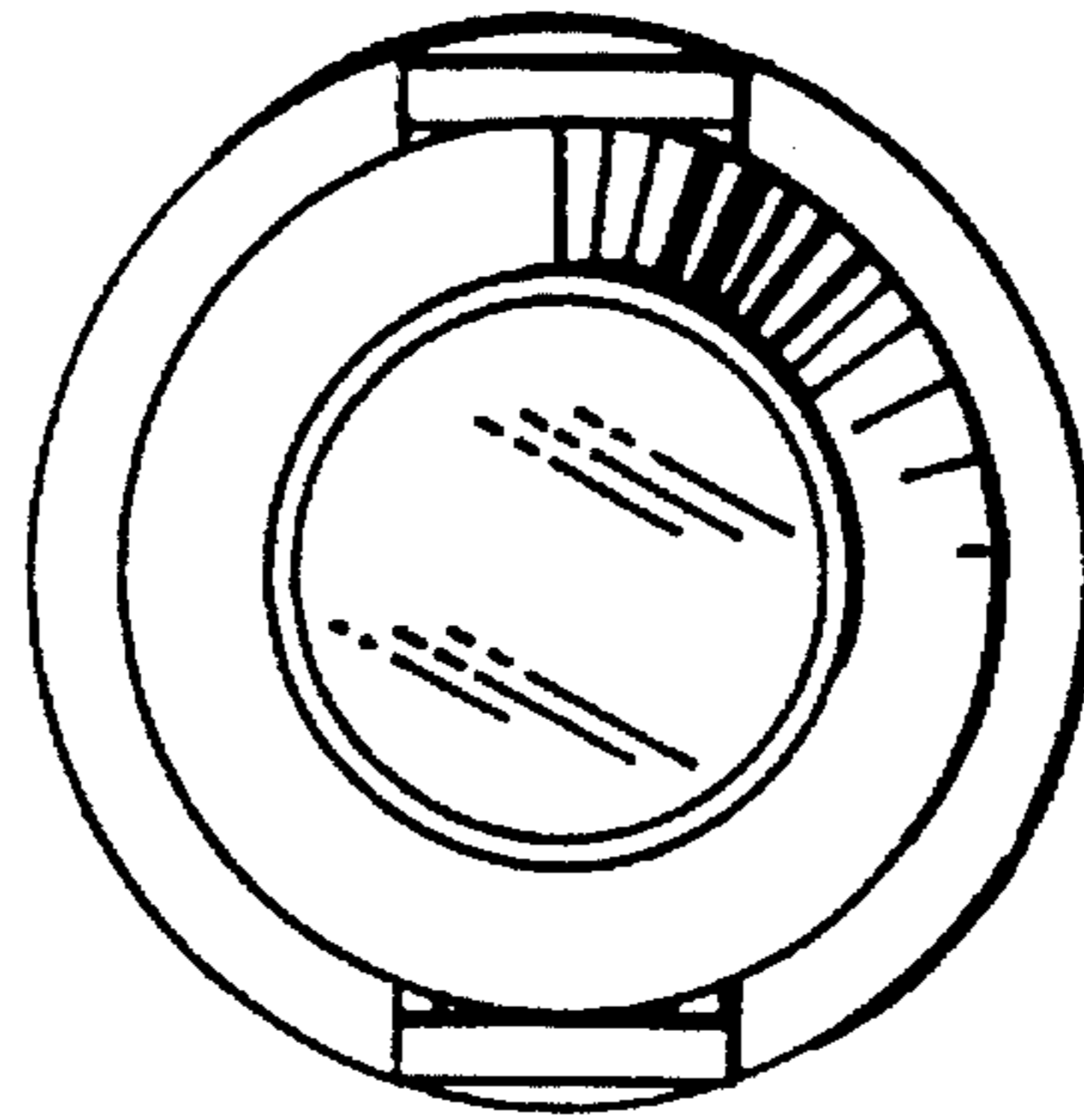


FIG. 6

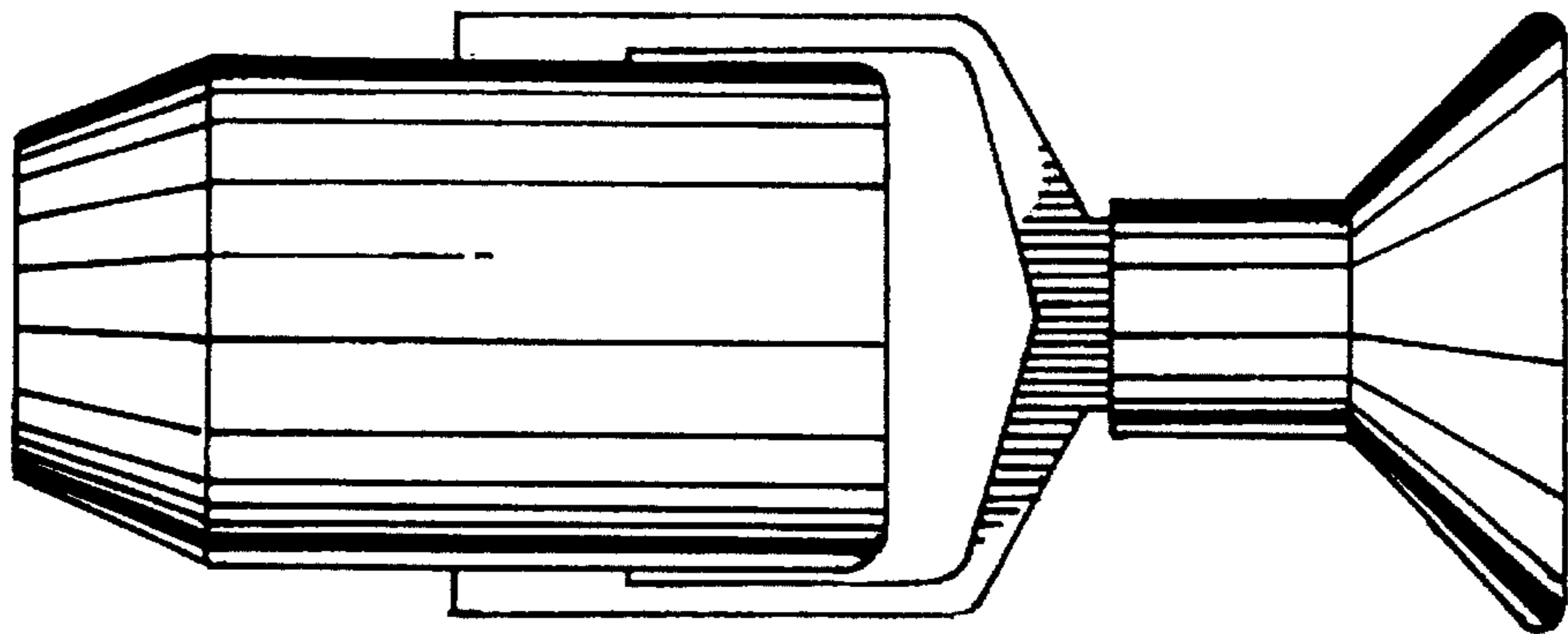


FIG. 4

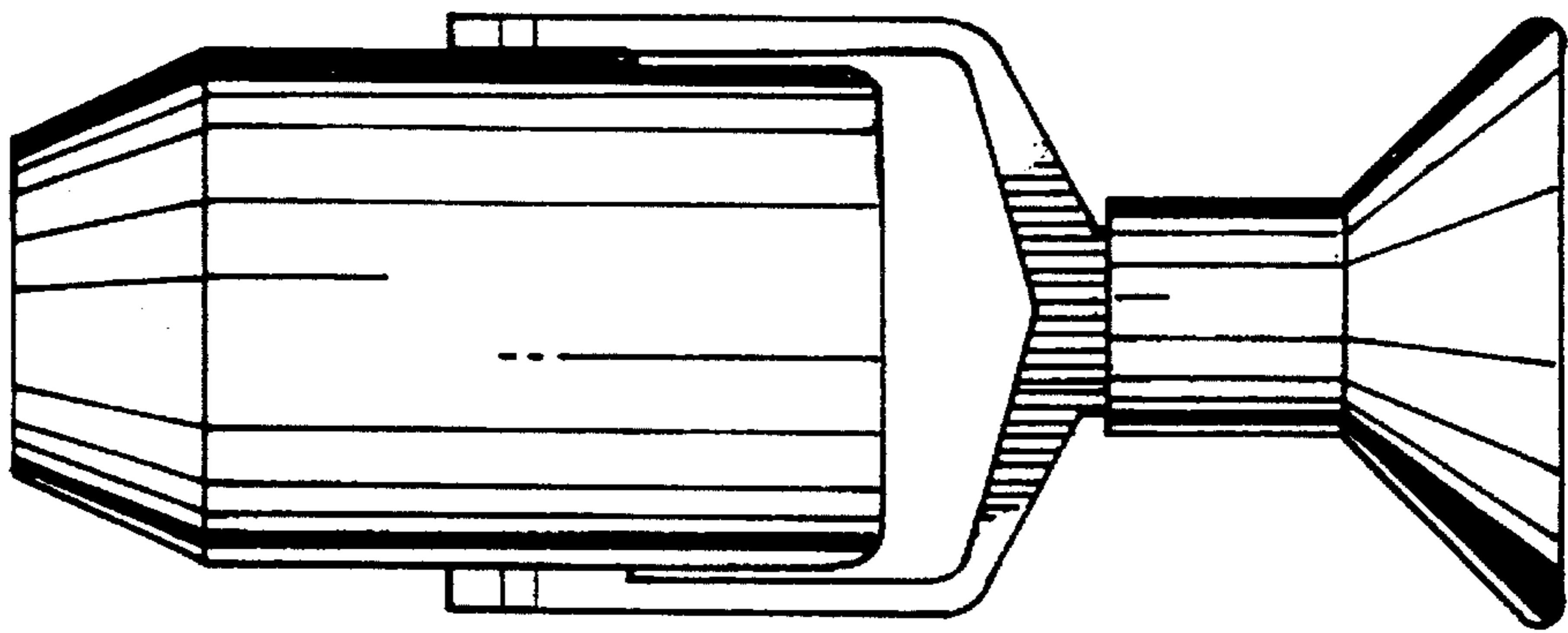


FIG. 3

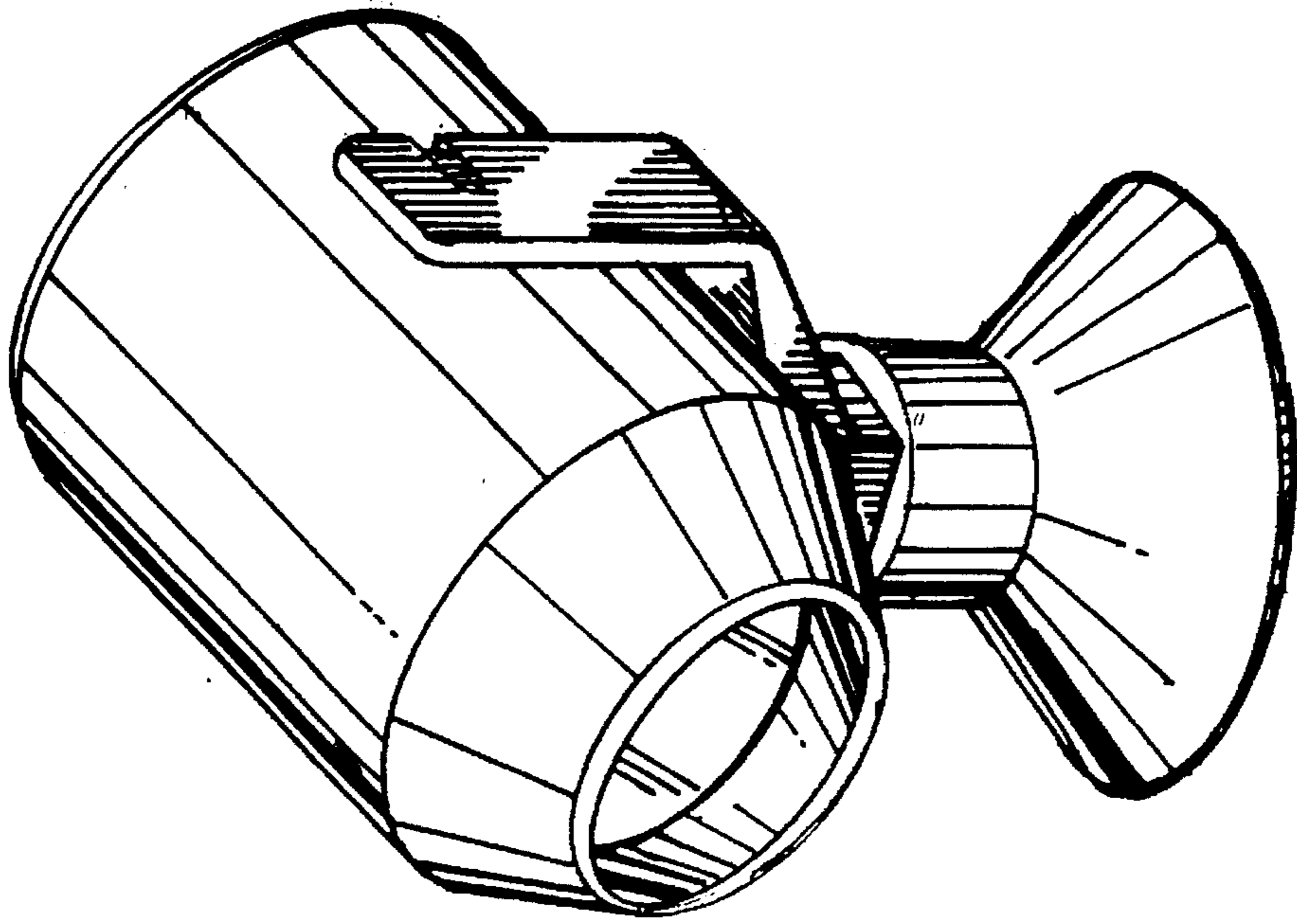


FIG. 7

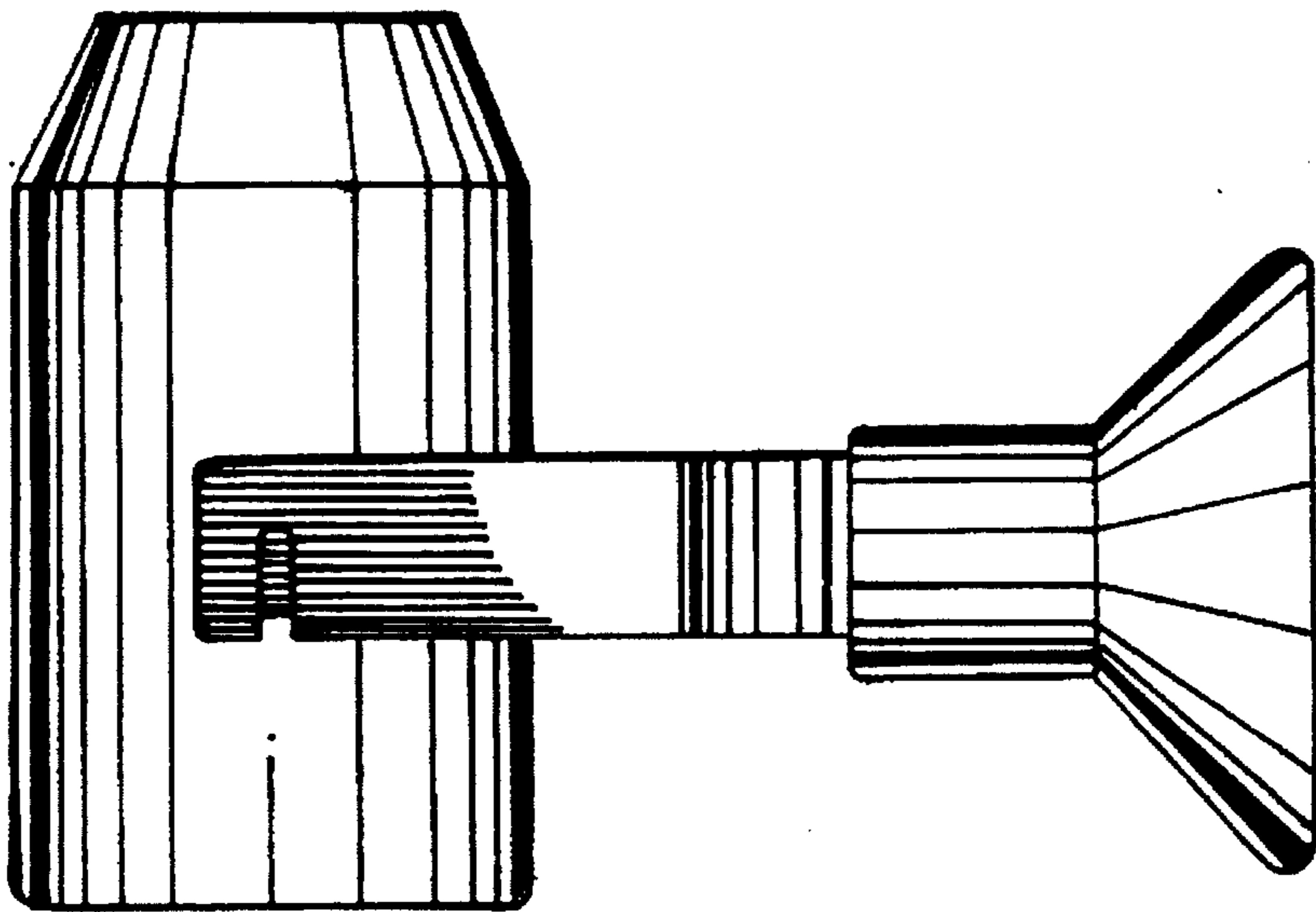


FIG. 8