



US00D369869S

United States Patent [19]
Franck

[11] **Patent Number: Des. 369,869**

[45] **Date of Patent: **May 14, 1996**

[54] **FLUORESCENT LAMP**

D. 355,496 2/1995 Franck D26/3

[75] Inventor: **Guenter Franck**, Ebenhausen, Germany

Primary Examiner—Marcus A. Jackson
Attorney, Agent, or Firm—Frishauf, Holtz, Goodman, Langer & Chick

[73] Assignee: **Osram GmbH**, Munich, Germany

[57] **CLAIM**

[**] Term: **14 Years**

The ornamental design for a fluorescent lamp, as shown and described.

[21] Appl. No.: **32,217**

DESCRIPTION

[22] Filed: **Dec. 14, 1994**

[30] **Foreign Application Priority Data**

FIG. 1 is a front perspective view of a fluorescent lamp within a reflector, using a two-U tube light unit and having a screw-type base;

Jul. 14, 1994 [DE] Germany 94 05 652.8

[52] **U.S. Cl.** **D26/3**

FIG. 2 is a side elevational view thereof, with the opposite side being a mirror image;

[58] **Field of Search** D26/1, 2, 3, 4, D26/26; 313/315, 317, 318, 115, 116; 362/217, 297, 307, 309, 310, 311, 326, 337, 338, 339

FIG. 3 is a bottom plan view thereof;

FIG. 4 is a top plan, or front view thereof;

FIG. 5 is a front-perspective view of a second embodiment of the fluorescent lamp within a reflector, and using a three-U tube light unit;

FIG. 6 is a side elevational view of the lamp of FIG. 5, with the opposite side being a mirror image;

FIG. 7 is a bottom plan view thereof; and,

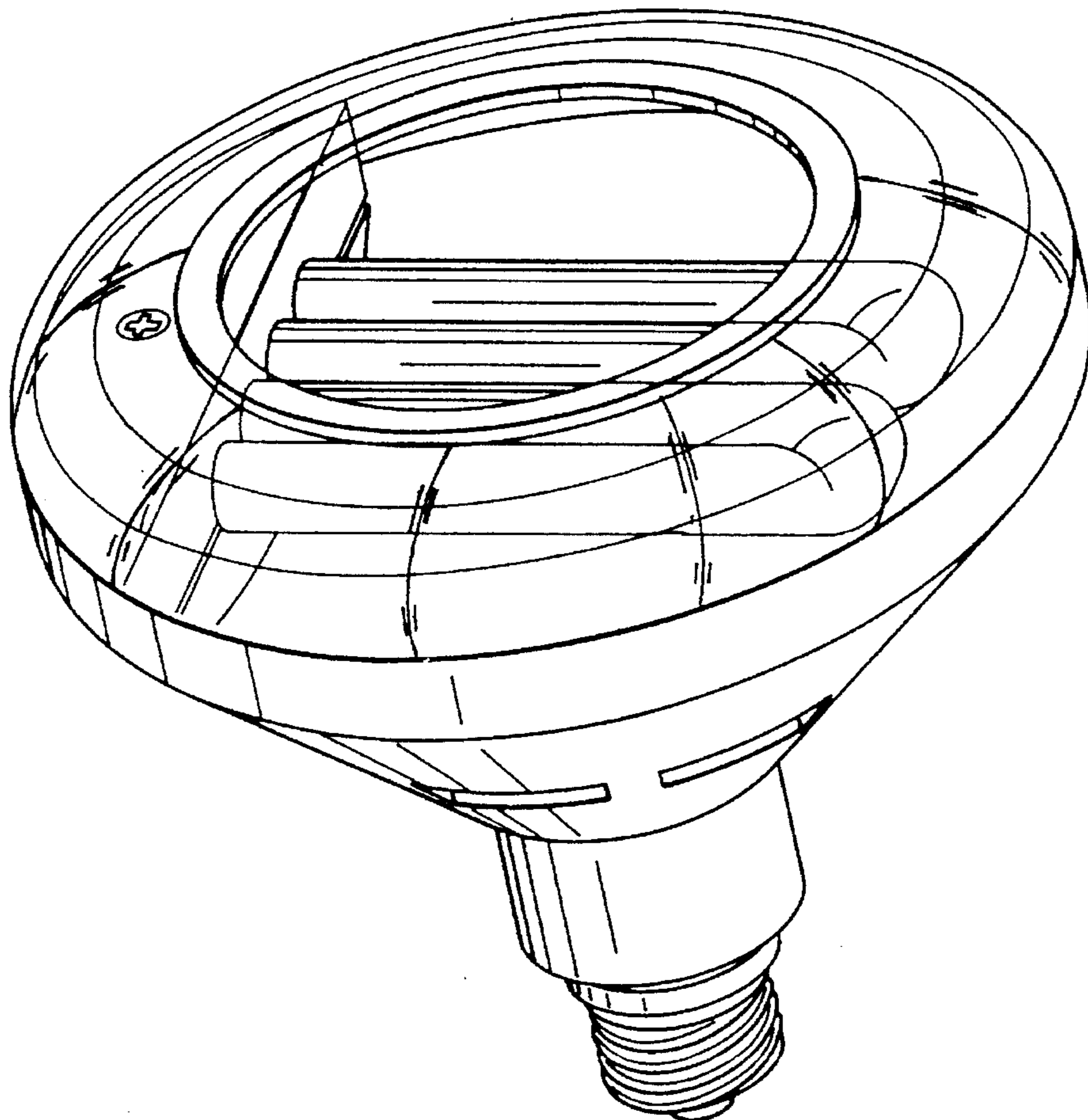
FIG. 8 is a top plan or front view thereof.

[56] **References Cited**

U.S. PATENT DOCUMENTS

| | | | | |
|------------|---------|-----------------|-------|-------|
| D. 295,082 | 4/1988 | Nakamura et al. | | D26/3 |
| D. 321,502 | 11/1991 | Ilemo | | D26/3 |
| D. 329,710 | 9/1992 | Muller et al. | | D26/3 |
| D. 339,646 | 9/1993 | Zim | | D26/3 |

1 Claim, 8 Drawing Sheets



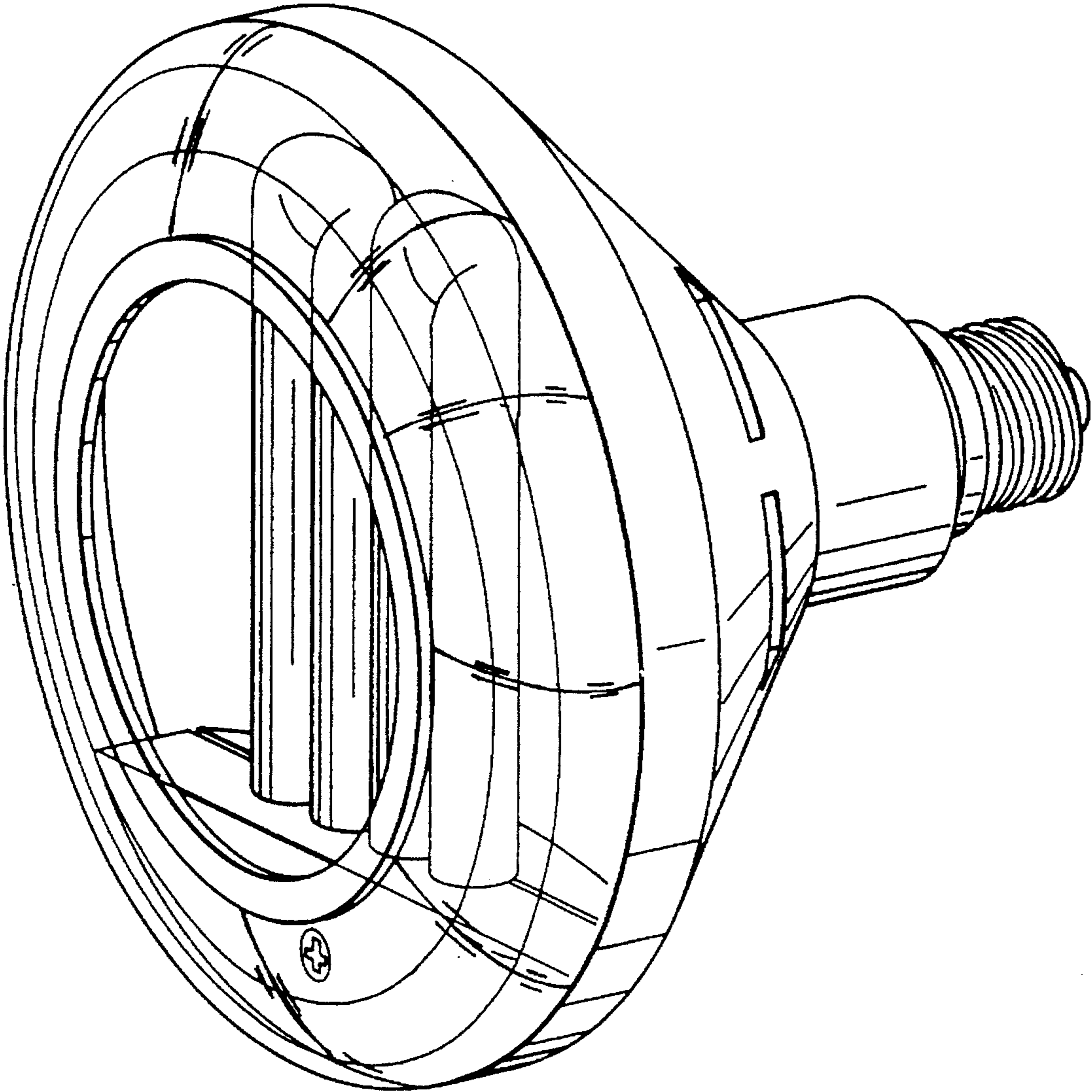


Fig. 1

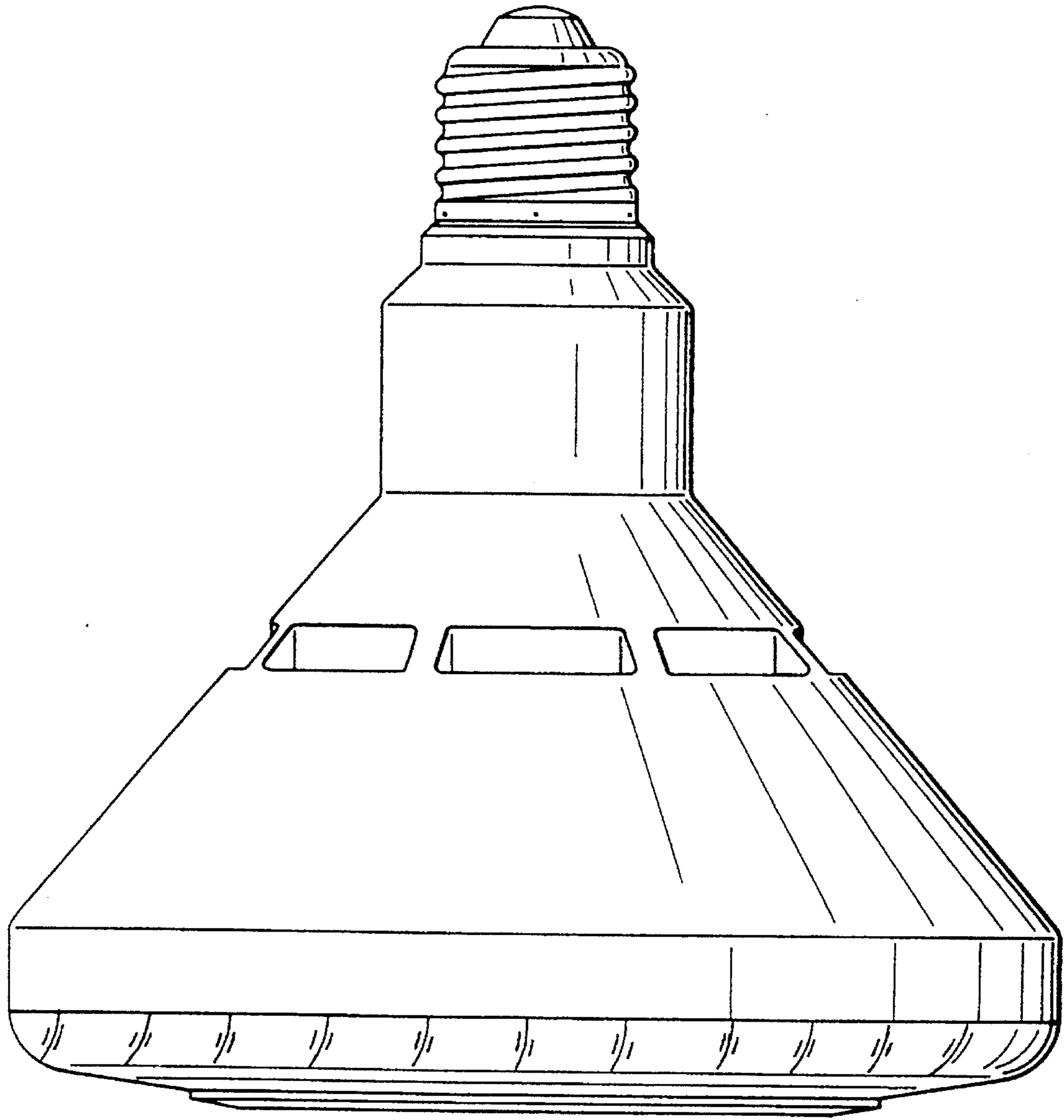


Fig. 2

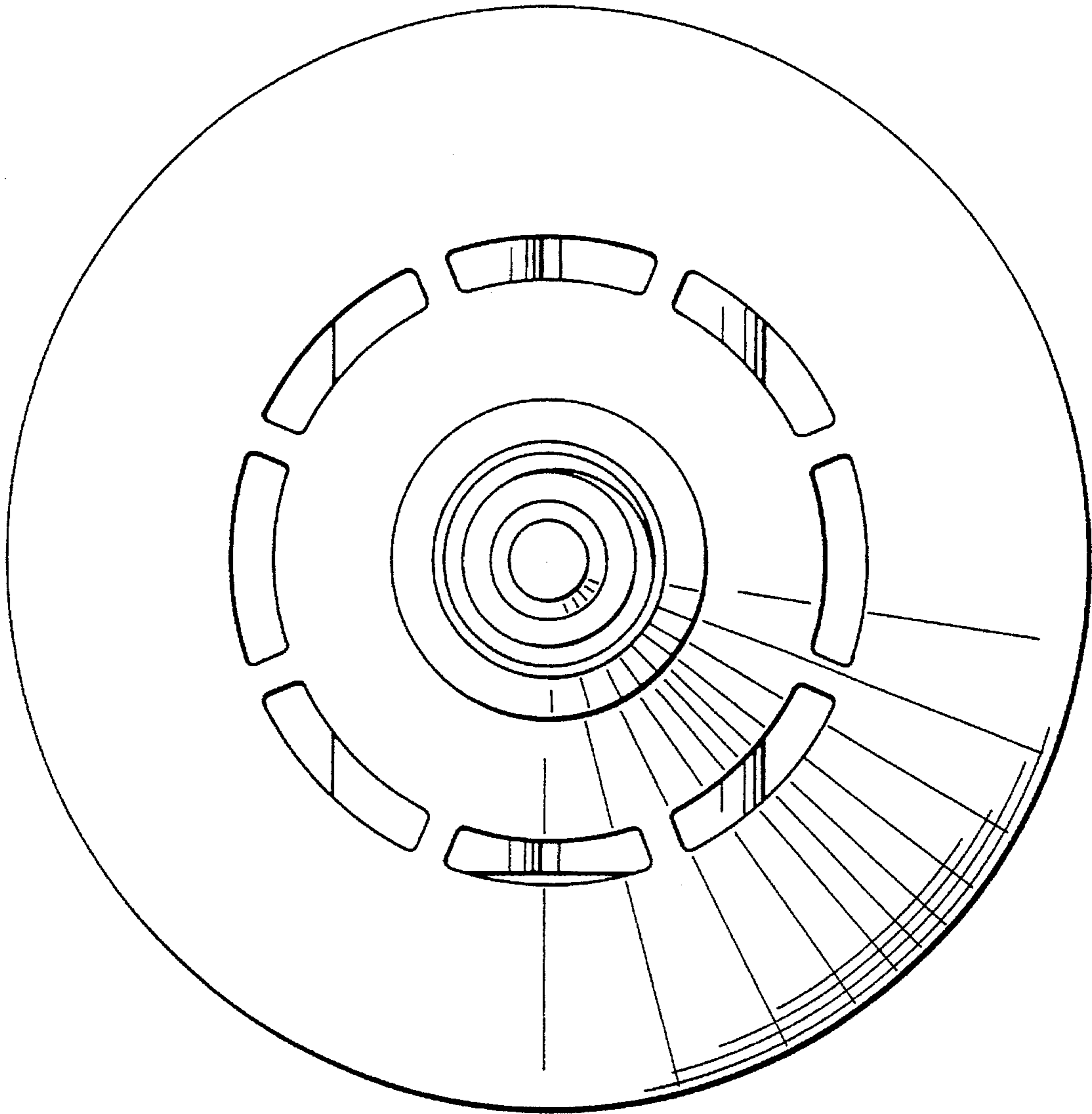


Fig. 3

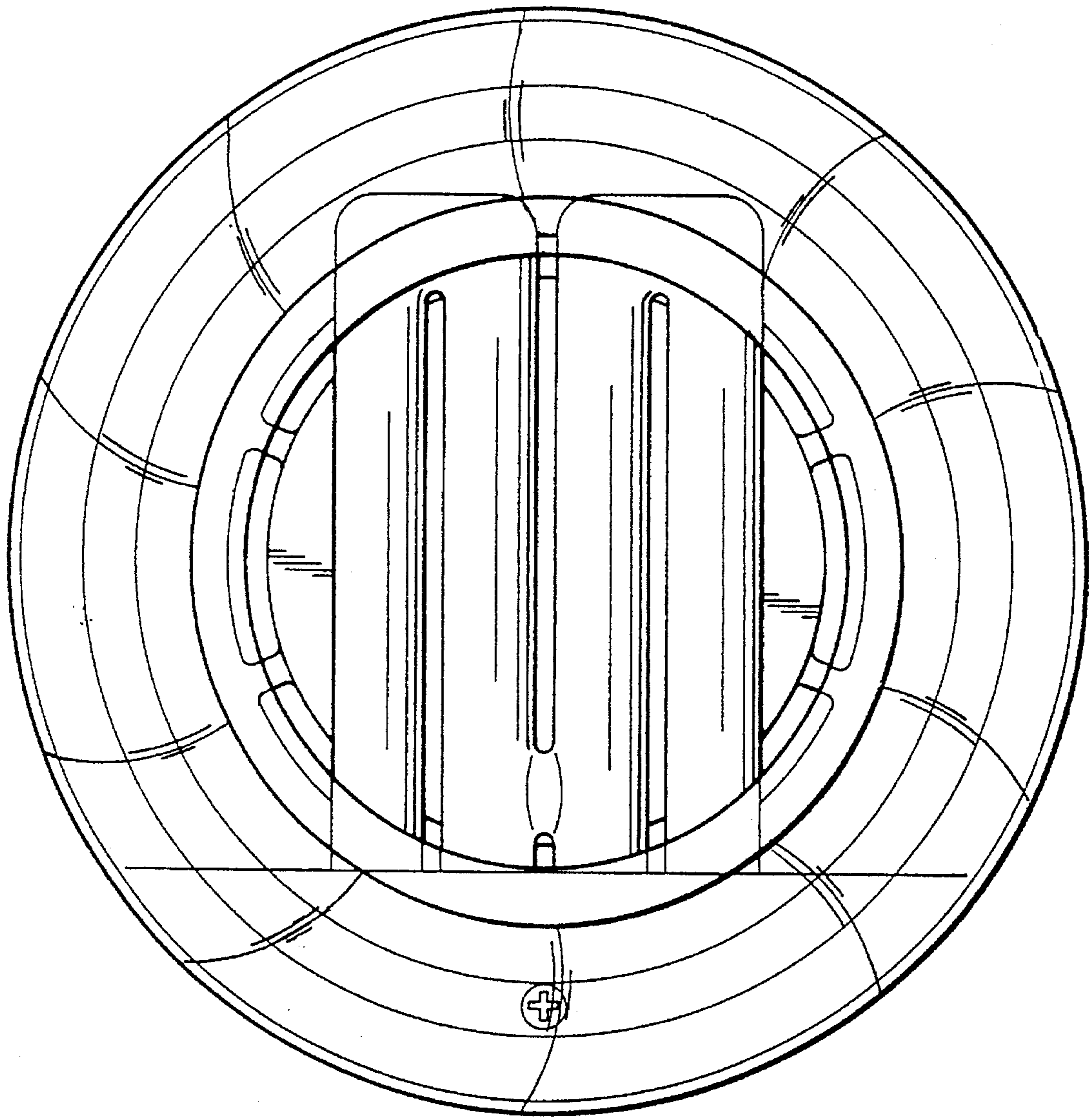


Fig. 4

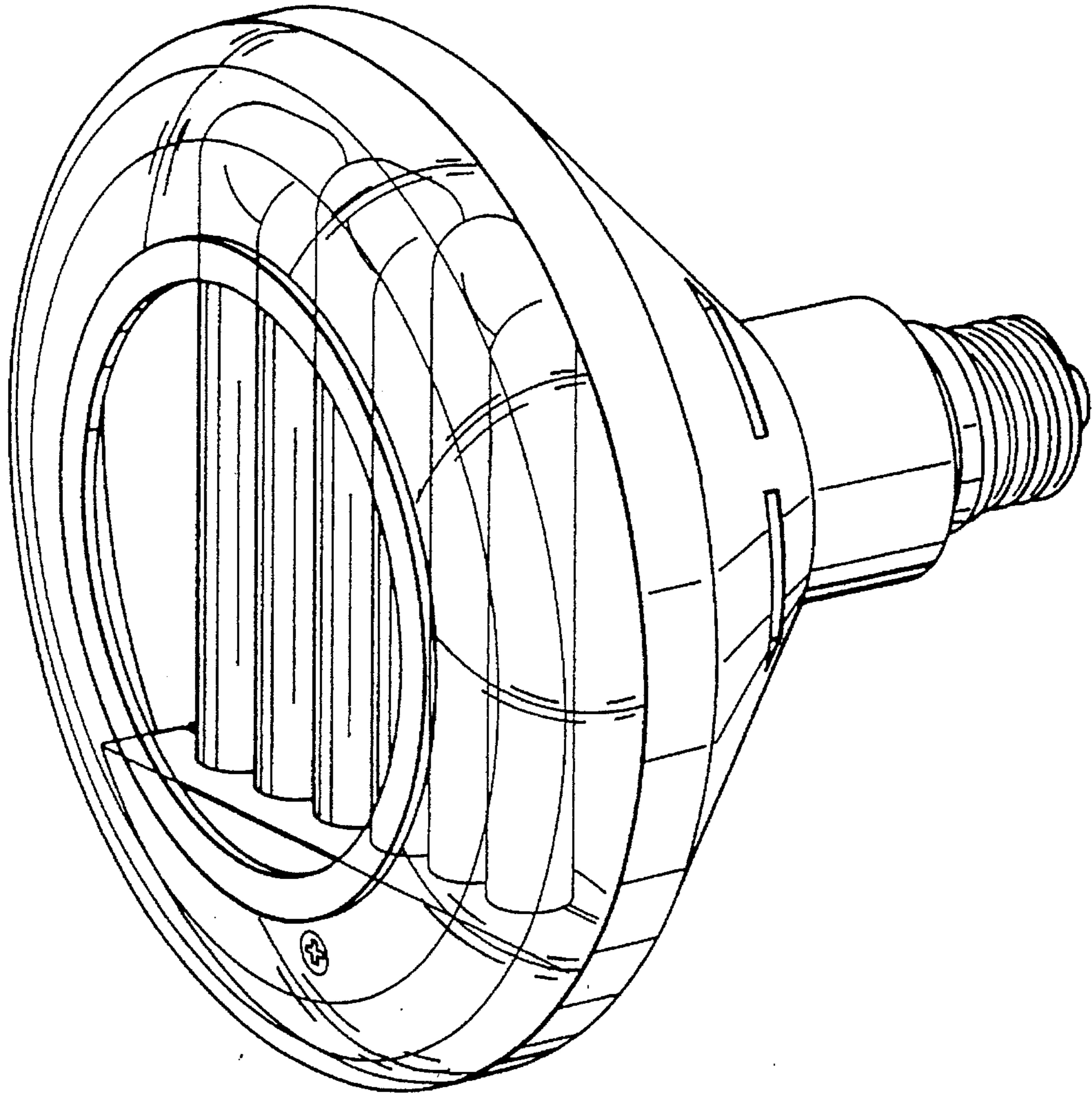


Fig. 5

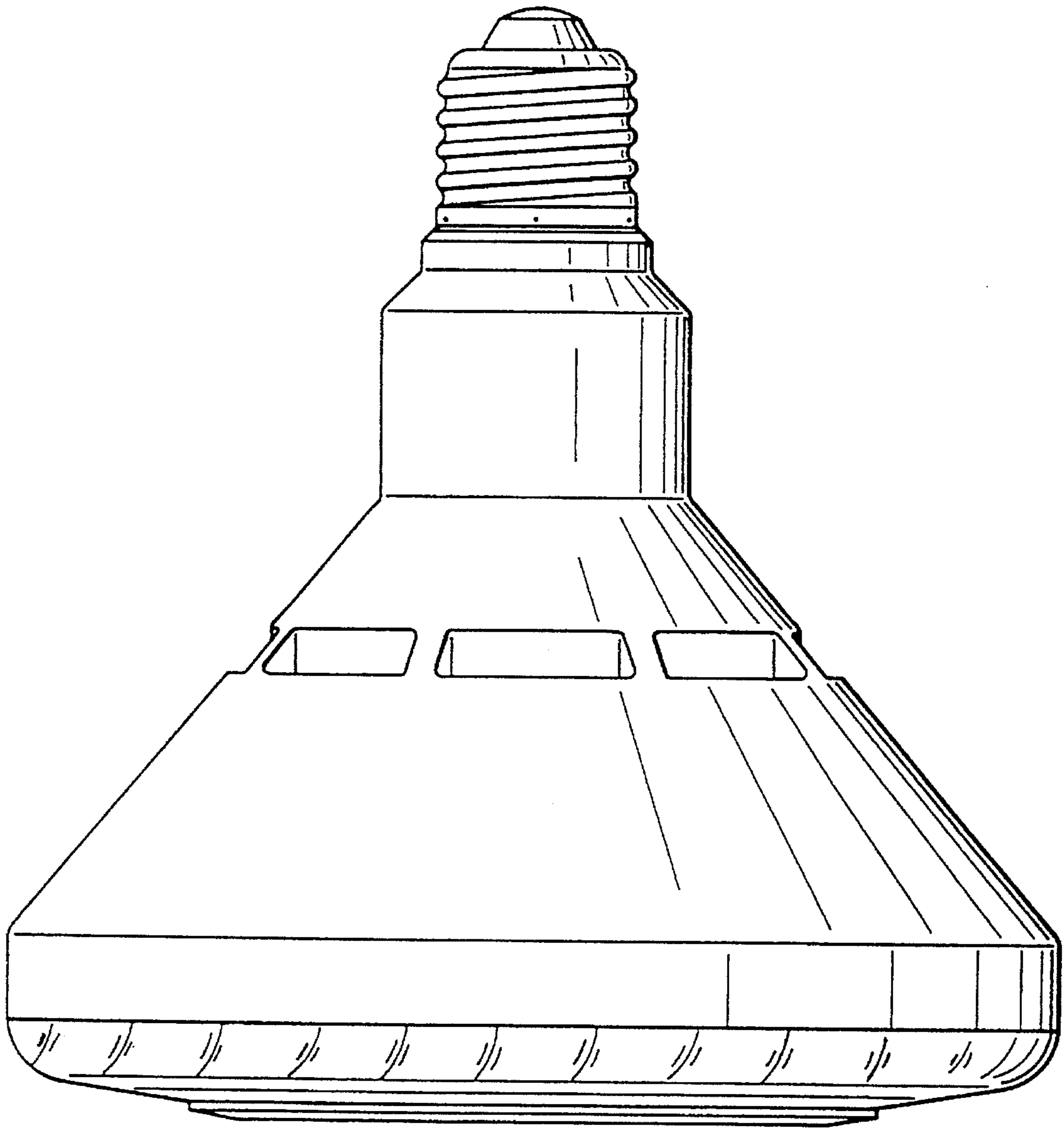


Fig. 6

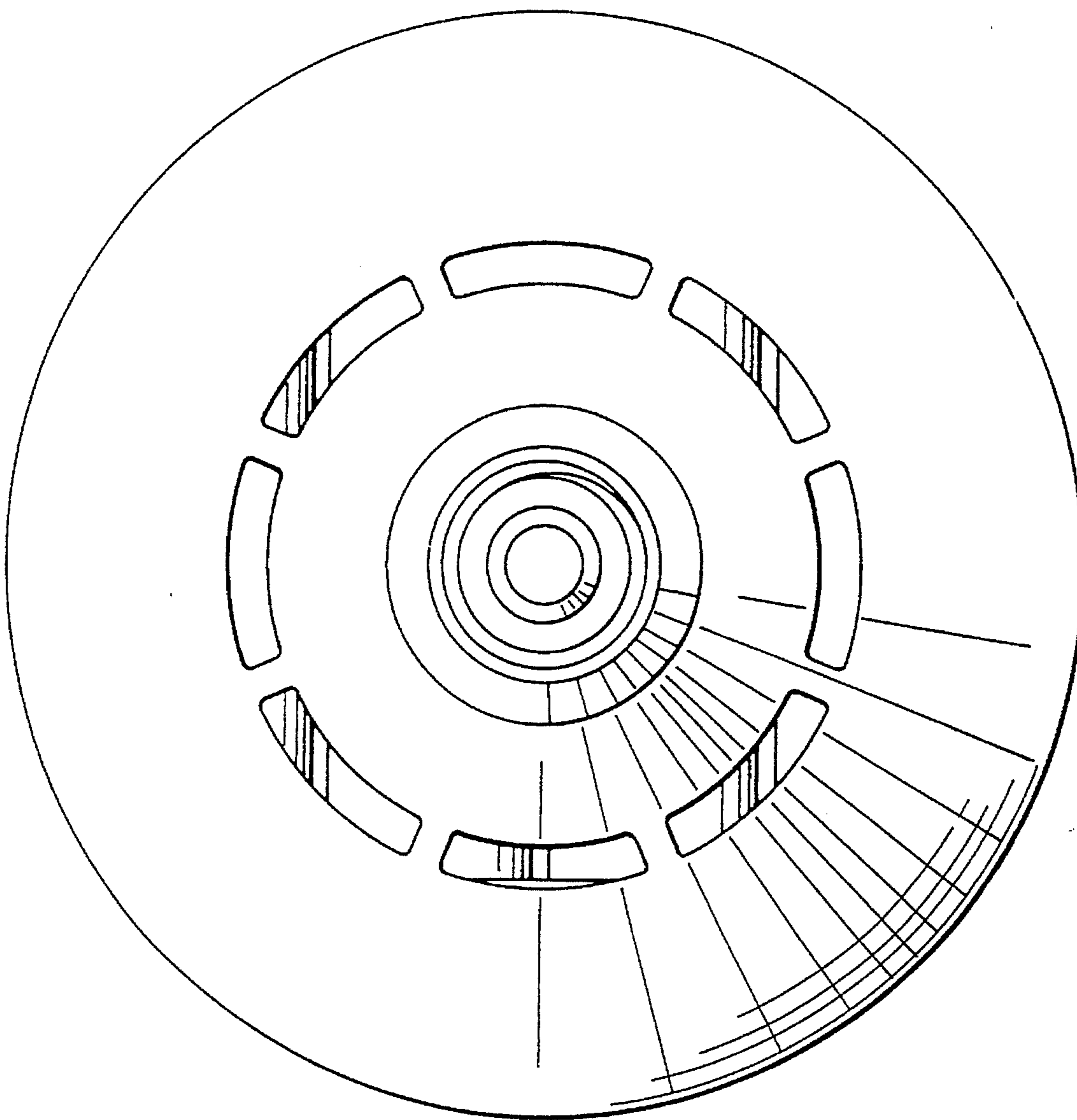


Fig. 7

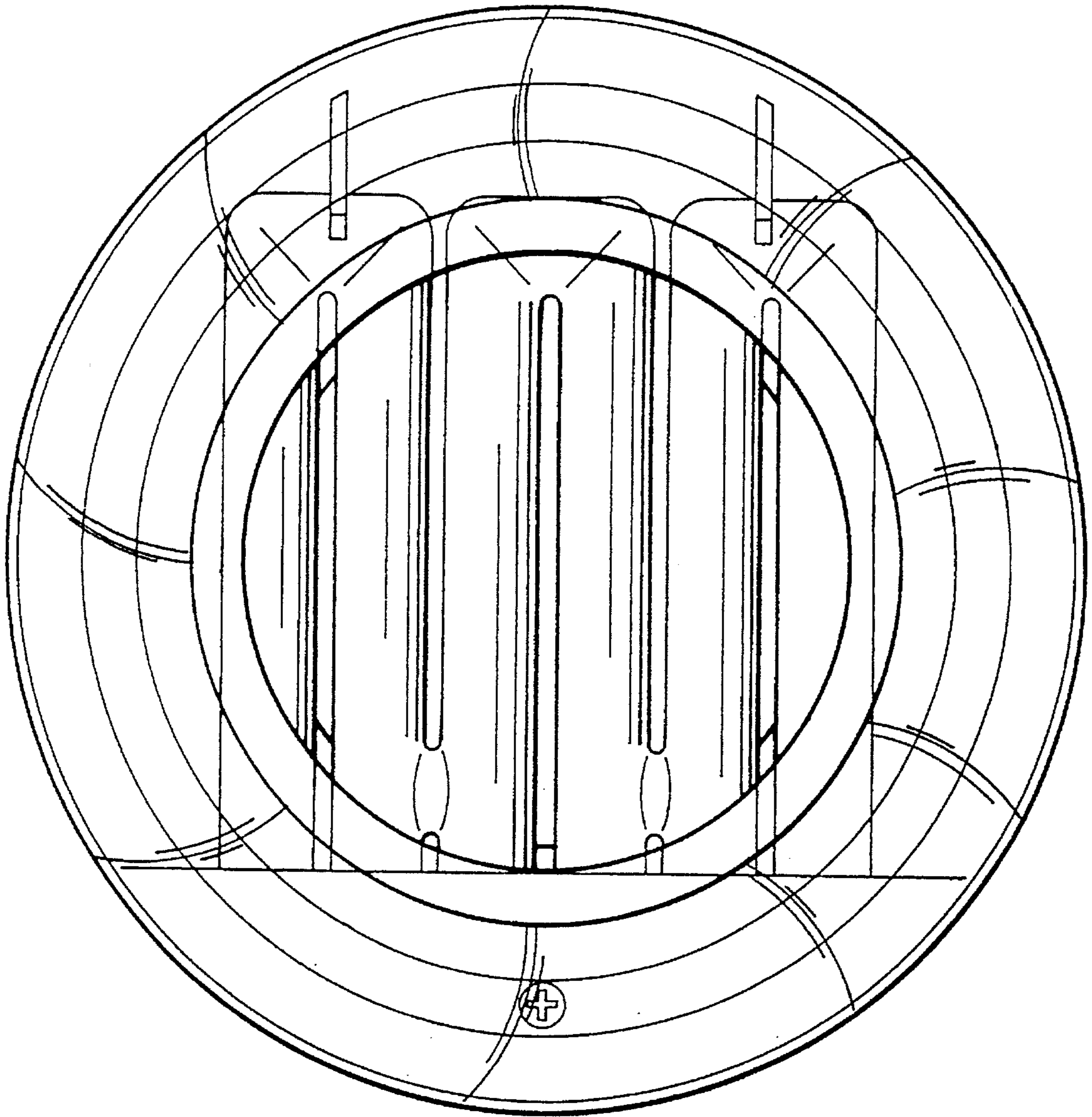


Fig. 8