



US00D369867S

United States Patent [19]

Feldman et al.

[11] Patent Number: **Des. 369,867**

[45] Date of Patent: ****May 14, 1996**

[54] STEAM STERILIZER

[75] Inventors: **Michael Feldman**, Toms River; **Moshe Meller**, Princeton, both of N.J.; **Jan Keizer**, Drexel Hill, Pa.; **Wilcy Moore**, Clifton Heights, Pa.; **Edward Cheslock**, Lincoln University, Pa.

[73] Assignee: **MTI Precision Products, Inc.**, Lakewood, N.J.

[**] Term: **14 Years**

[21] Appl. No.: **31,349**

[22] Filed: **Nov. 23, 1994**

[52] U.S. Cl. **D24/217**

[58] Field of Search D24/217; 422/292, 422/295, 296, 298, 300, 302, 305, 307

[56] References Cited

U.S. PATENT DOCUMENTS

D. 330,771	11/1992	Chaney et al.	D24/217
2,095,154	10/1937	Scott	422/300
4,746,496	5/1988	Sorochenko et al.	422/292

OTHER PUBLICATIONS

VWR Scientific Catalog "Sterilizers" pp. 1319, 1320, 1321 ©1989.

Primary Examiner—Louis S. Zarfes
Assistant Examiner—I. Simmons
Attorney, Agent, or Firm—Frishauf, Holtz, Goodman, Langer & Chick

[57] CLAIM

The ornamental design for a steam sterilizer, as shown.

DESCRIPTION

FIG. 1 is a front, left, top perspective view of a steam sterilizer, showing our new design; FIG. 2 is a front elevational view thereof; FIG. 3 is a left-side elevational view thereof; FIG. 4 is a right-side elevational view thereof; FIG. 5 is a rear elevational view thereof; FIG. 6 is a top plan view thereof; and, FIG. 7 is a bottom plan view thereof.

1 Claim, 4 Drawing Sheets

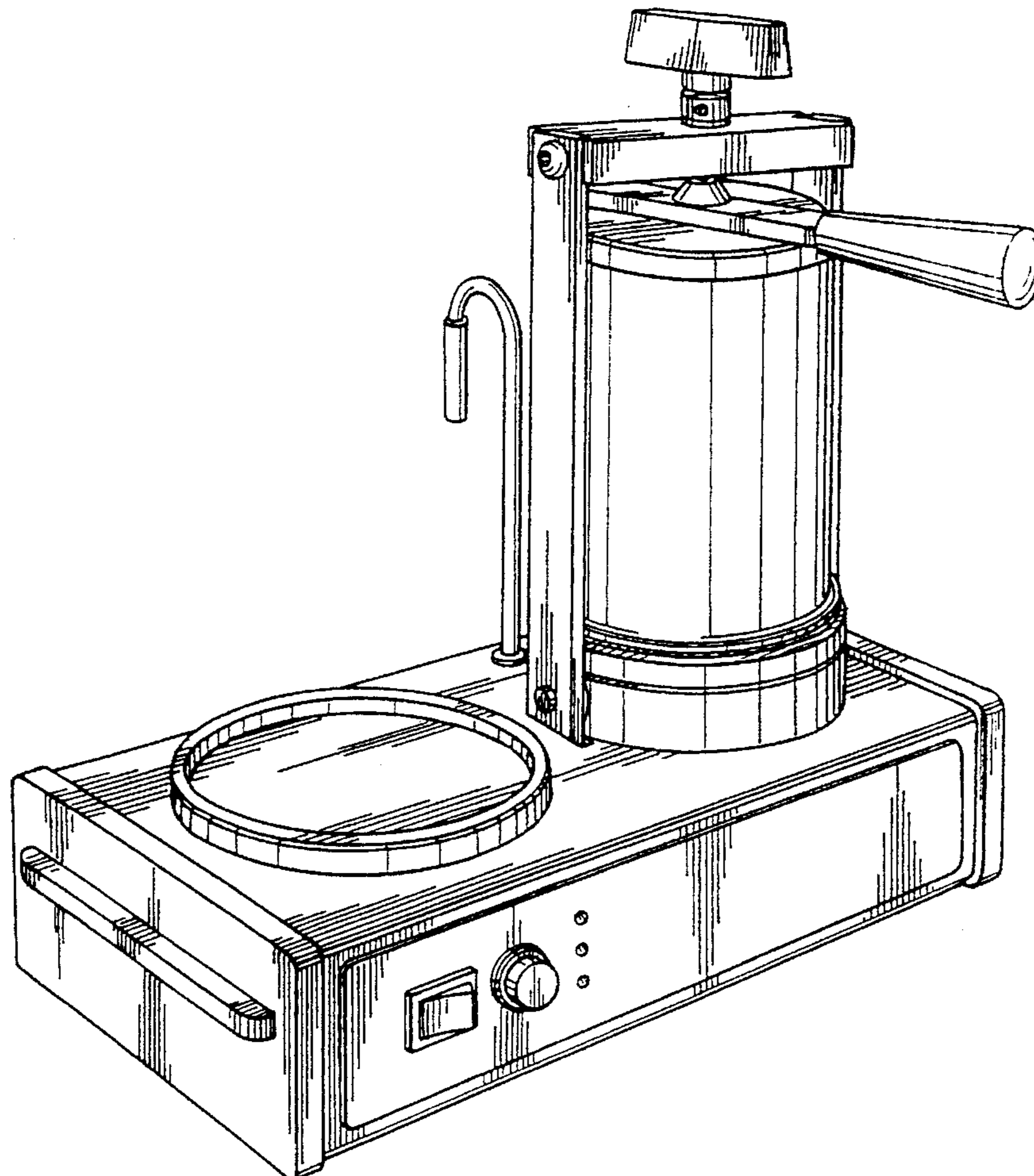


Fig. 1

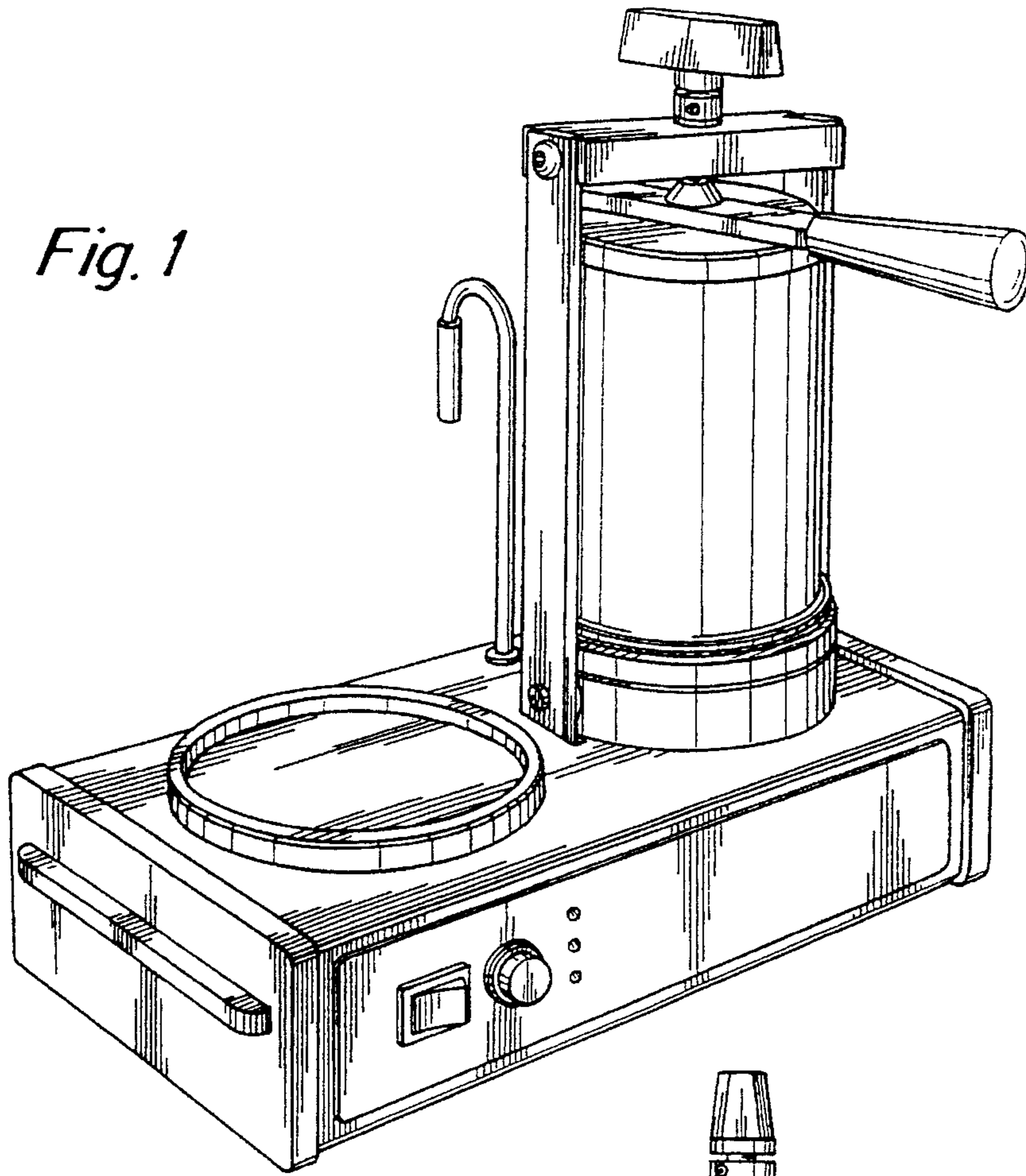


Fig. 2

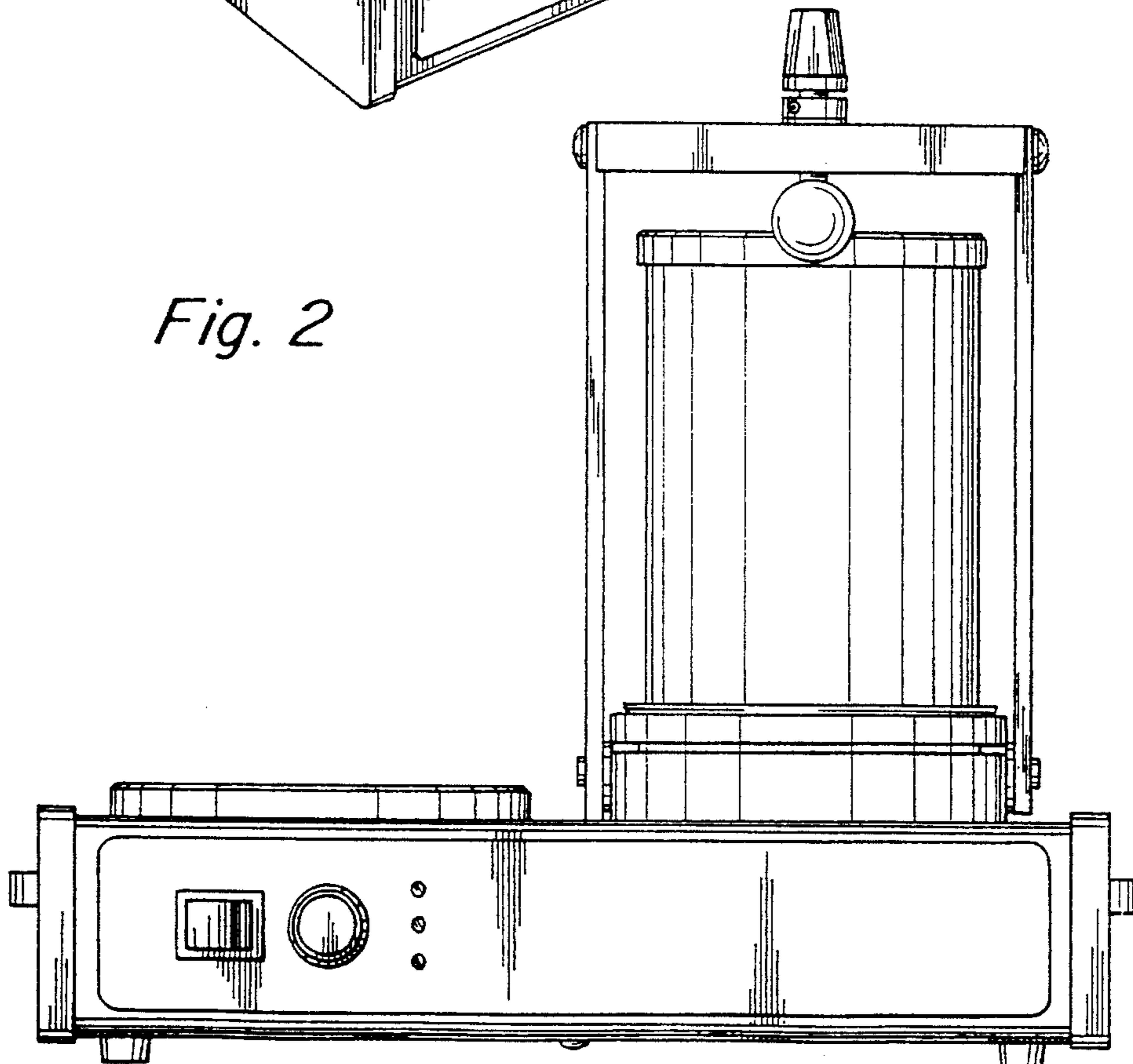


Fig. 3

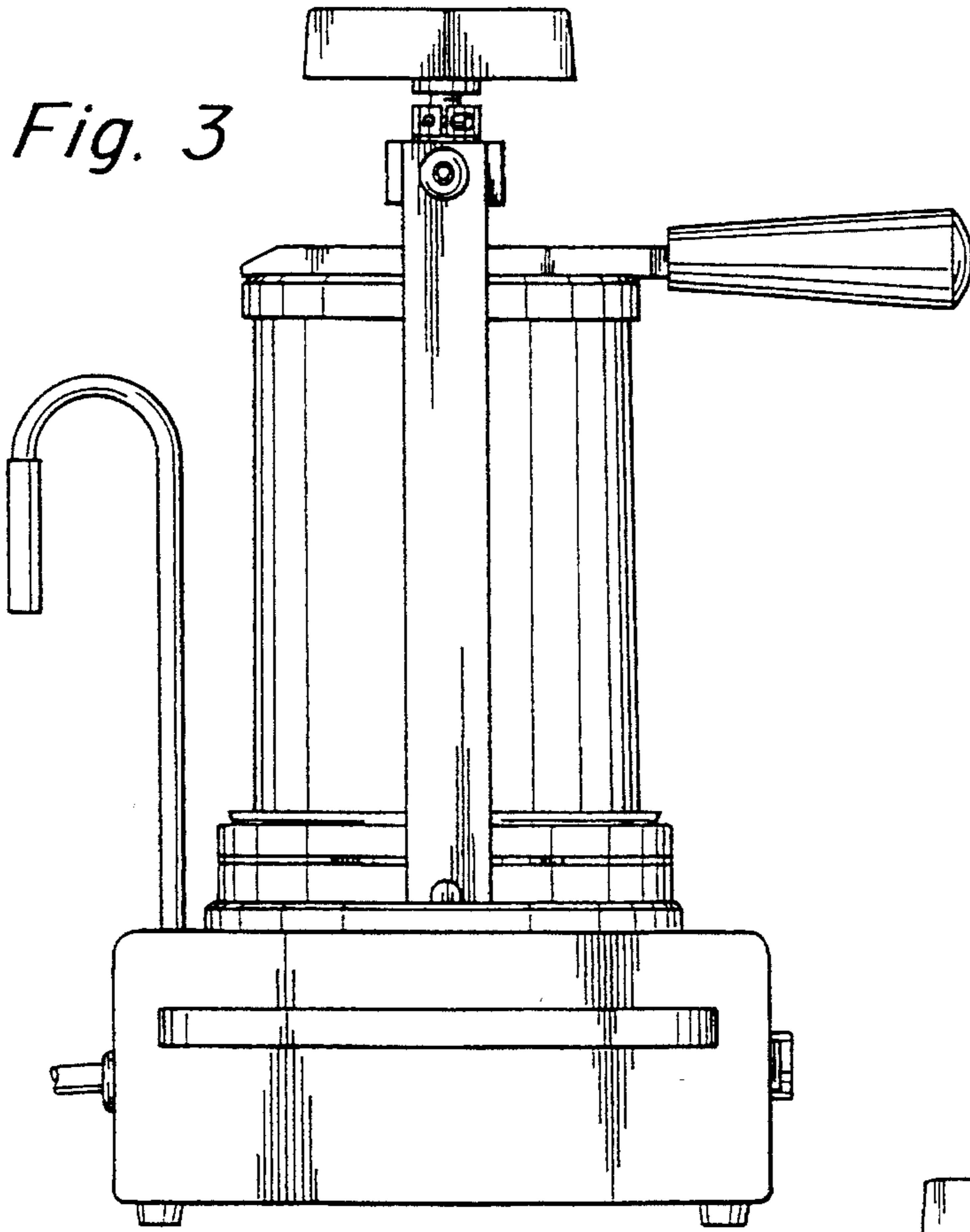


Fig. 4

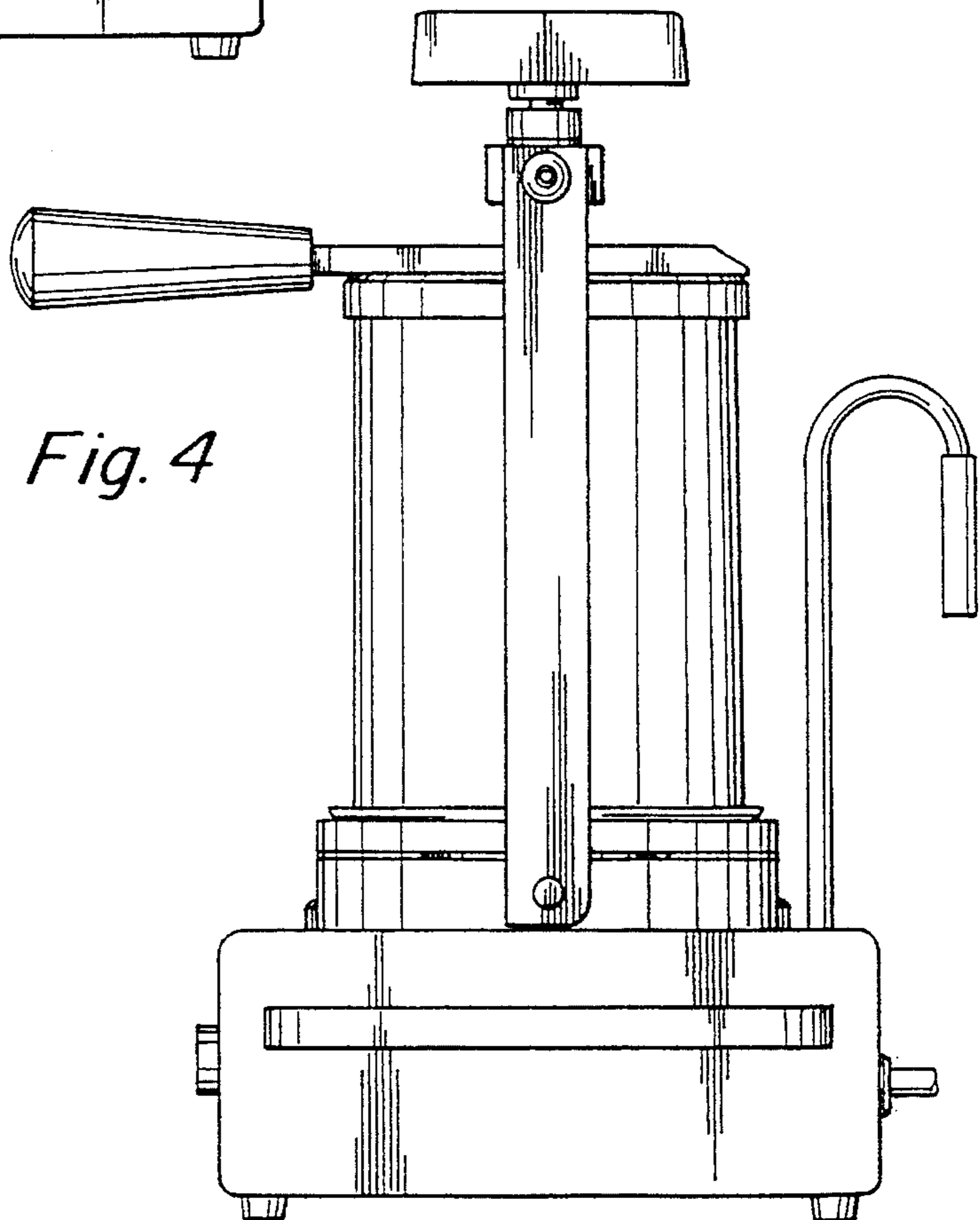


Fig. 5

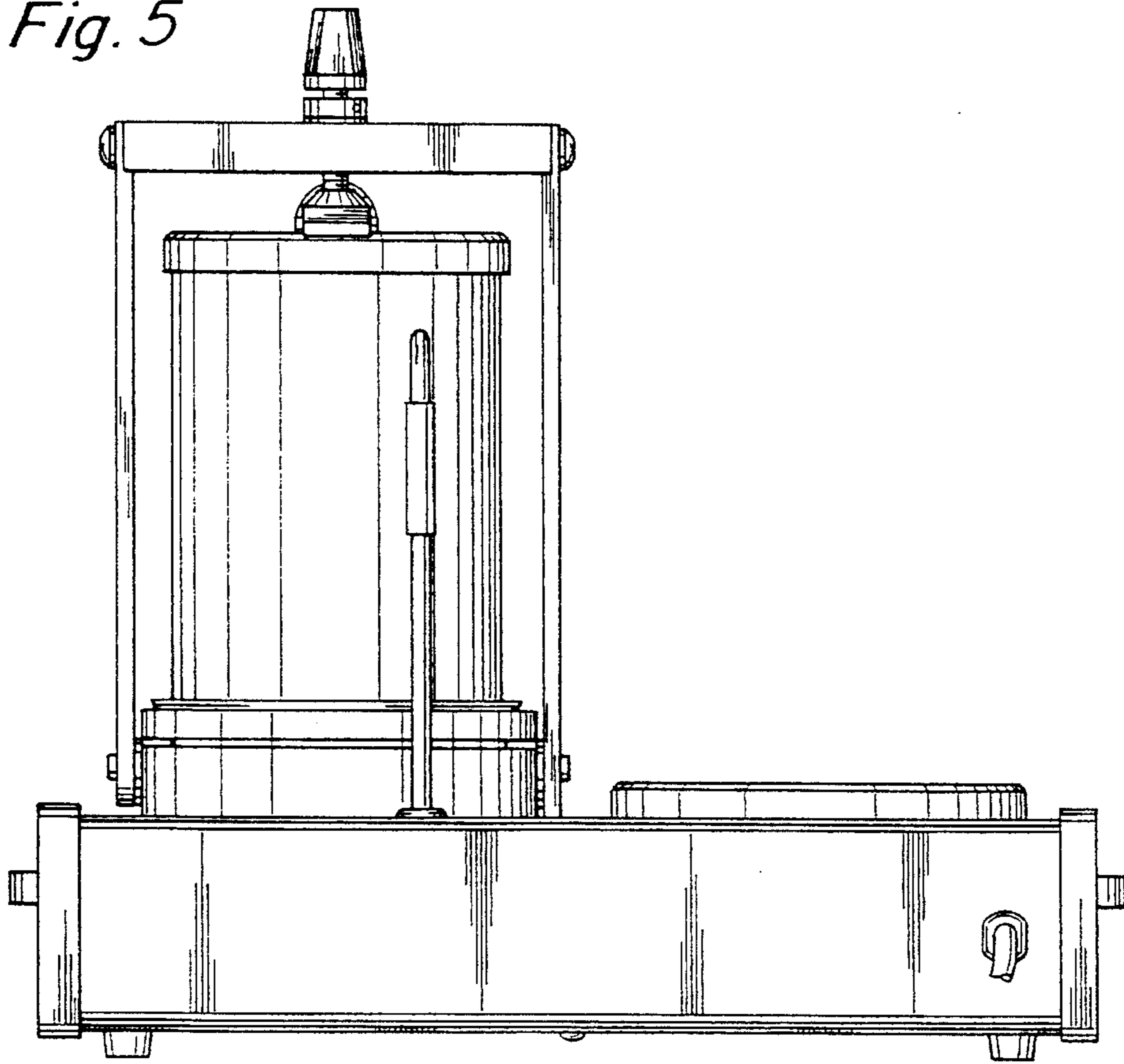


Fig. 6

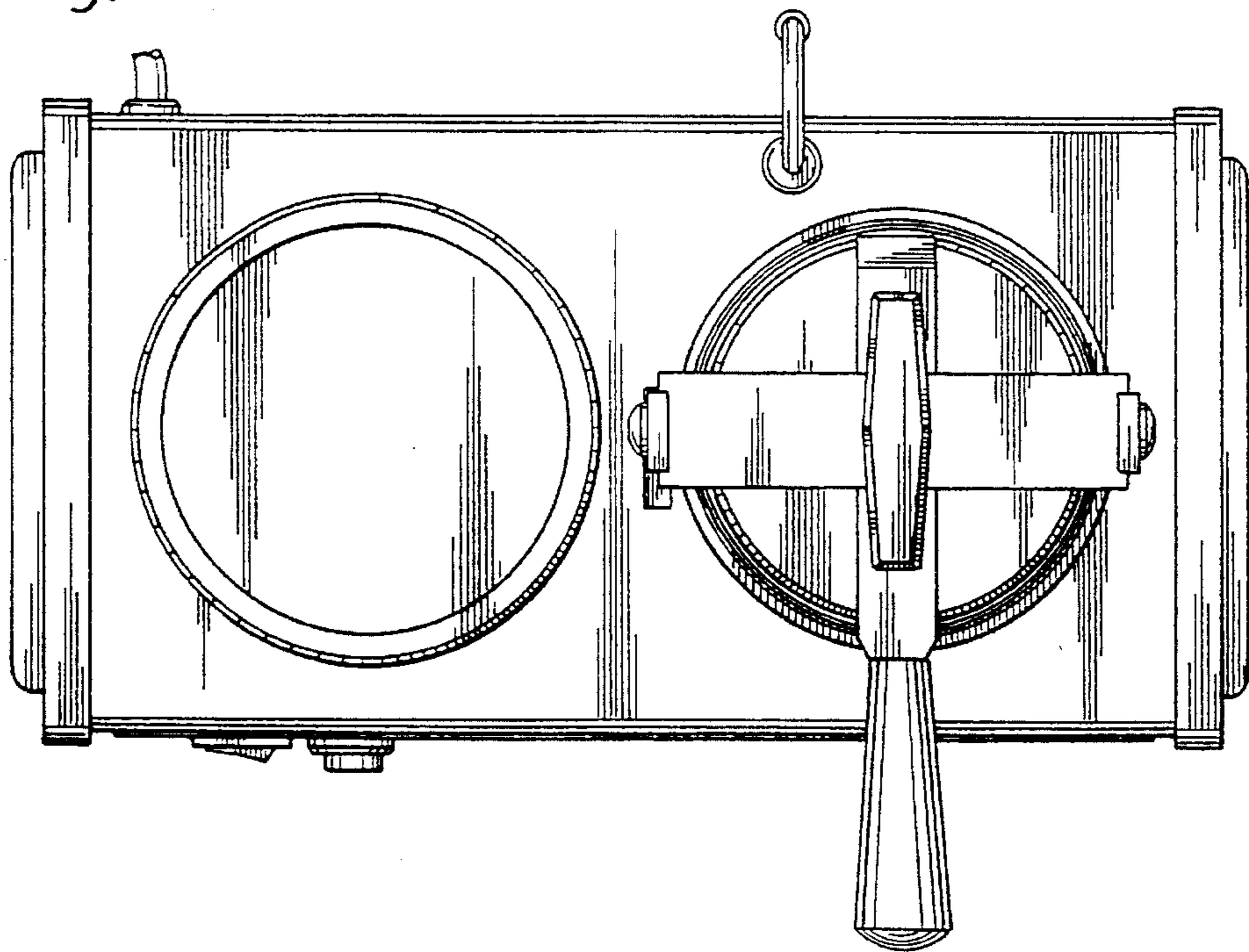


Fig. 7

