



US00D369864S

United States Patent [19] Petersen

[11] Patent Number: **Des. 369,864**

[45] Date of Patent: ****May 14, 1996**

[54] **ANALYZER FOR BIOLOGICAL FLUIDS**

[75] Inventor: **Hans H. Petersen**, Cambridge, United Kingdom

[73] Assignee: **Bayer Corporation**, Elkhart, Ind.

[**] Term: **14 Years**

[21] Appl. No.: **31,999**

[22] Filed: **Dec. 12, 1994**

[52] U.S. Cl. **D24/169**; D24/186; D24/231; D24/232

[58] **Field of Search** D24/231, 232, D24/186, 169, 164, 216, 111, 108; 422/68.1, 102, 56, 58, 61; 128/770, 771, 635, 763, 765

[56] **References Cited**

U.S. PATENT DOCUMENTS

D. 351,469 10/1994 Okamoto et al. D24/186 X
4,637,403 1/1987 Garcia et al. D24/147 X

4,790,979 12/1988 Terminiello et al. 422/56
5,029,583 7/1991 Meserol et al. D24/112 X
5,096,669 3/1992 Lauke et al. 624/147 X
5,284,770 2/1994 Adrian et al. 422/56 X

Primary Examiner—Louis S. Zarfes
Assistant Examiner—I. Simmons
Attorney, Agent, or Firm—Jerome L. Jeffers

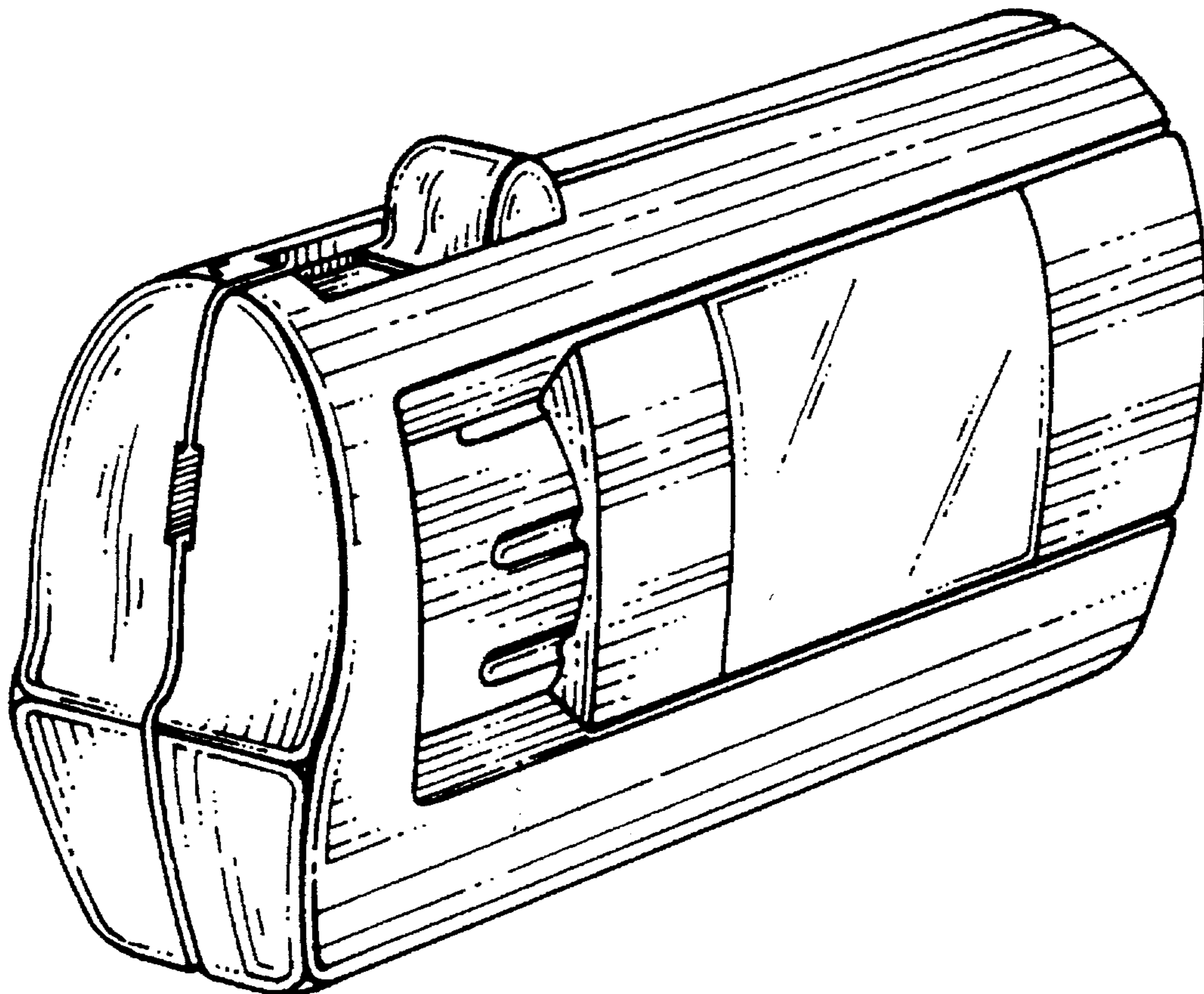
[57] **CLAIM**

The ornamental design for an analyzer for biological fluids, as shown and described.

DESCRIPTION

FIG. 1 is a perspective view of an analyzer for biological fluids showing my new design;
FIG. 2 is a top view thereof;
FIG. 3 is a front view thereof;
FIG. 4 is a rear view thereof;
FIG. 5 is a bottom view thereof;
FIG. 6 is a right side view thereof; and,
FIG. 7 is a left side view thereof.

1 Claim, 3 Drawing Sheets



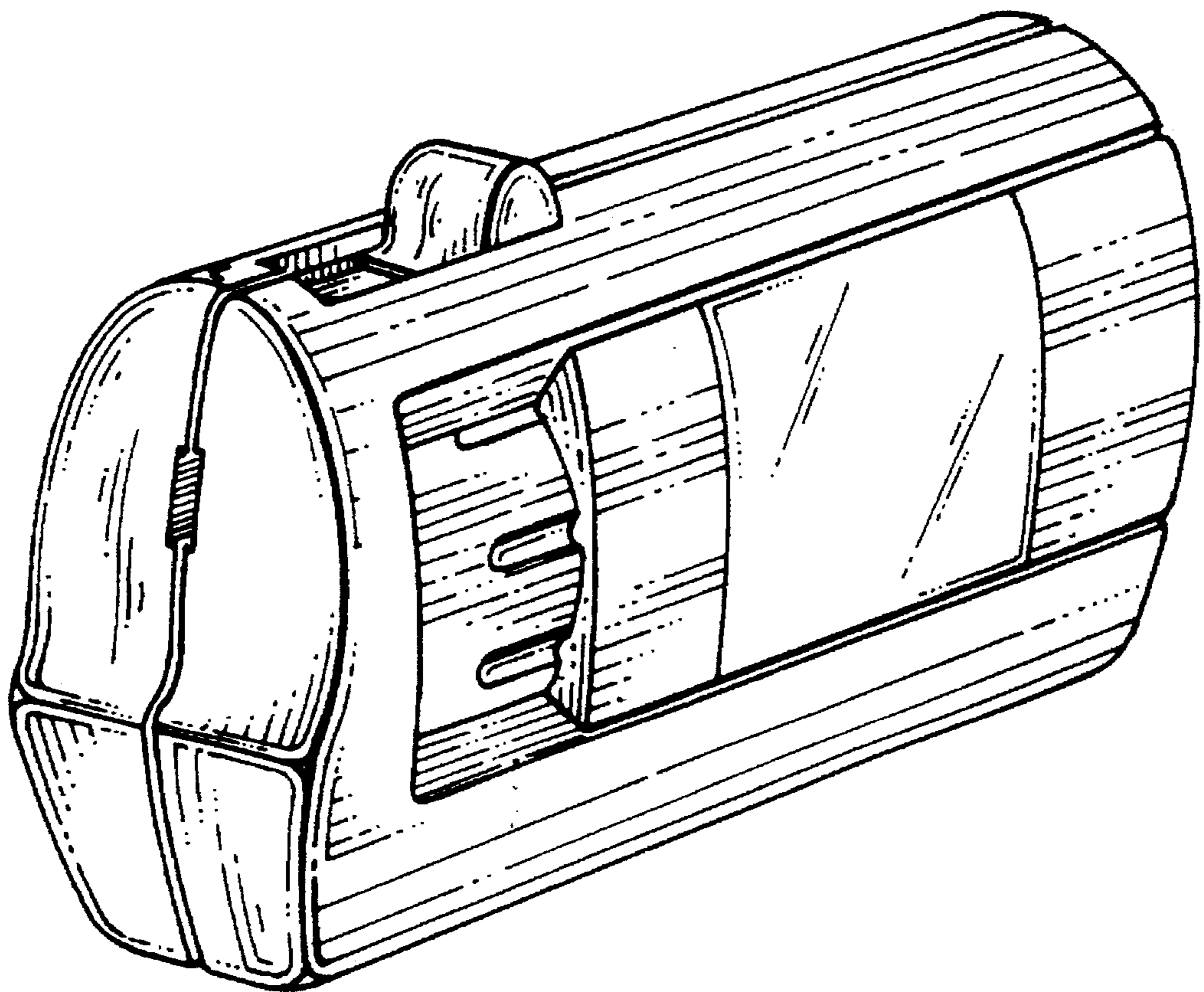


FIG. 1

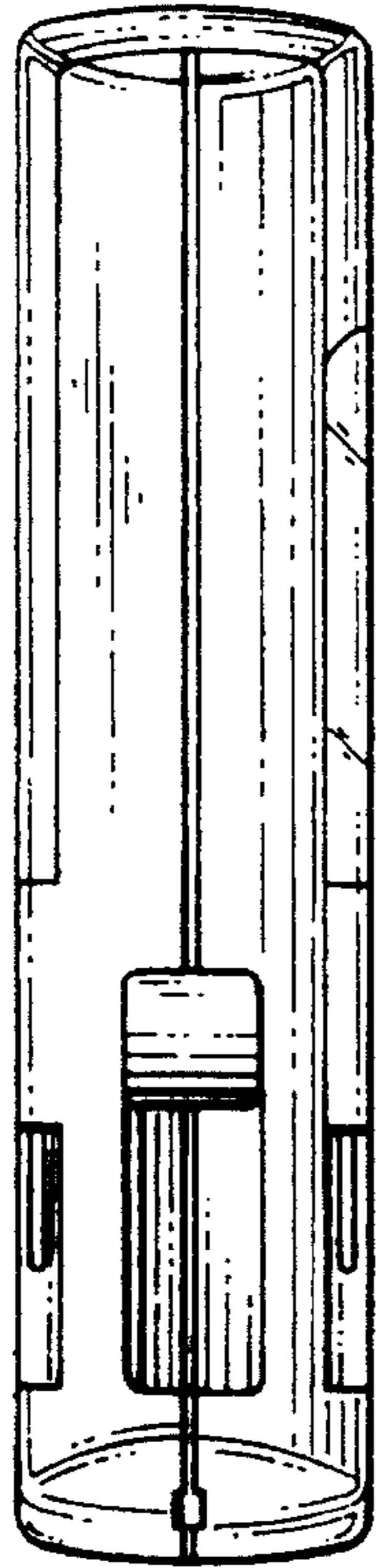


FIG. 2

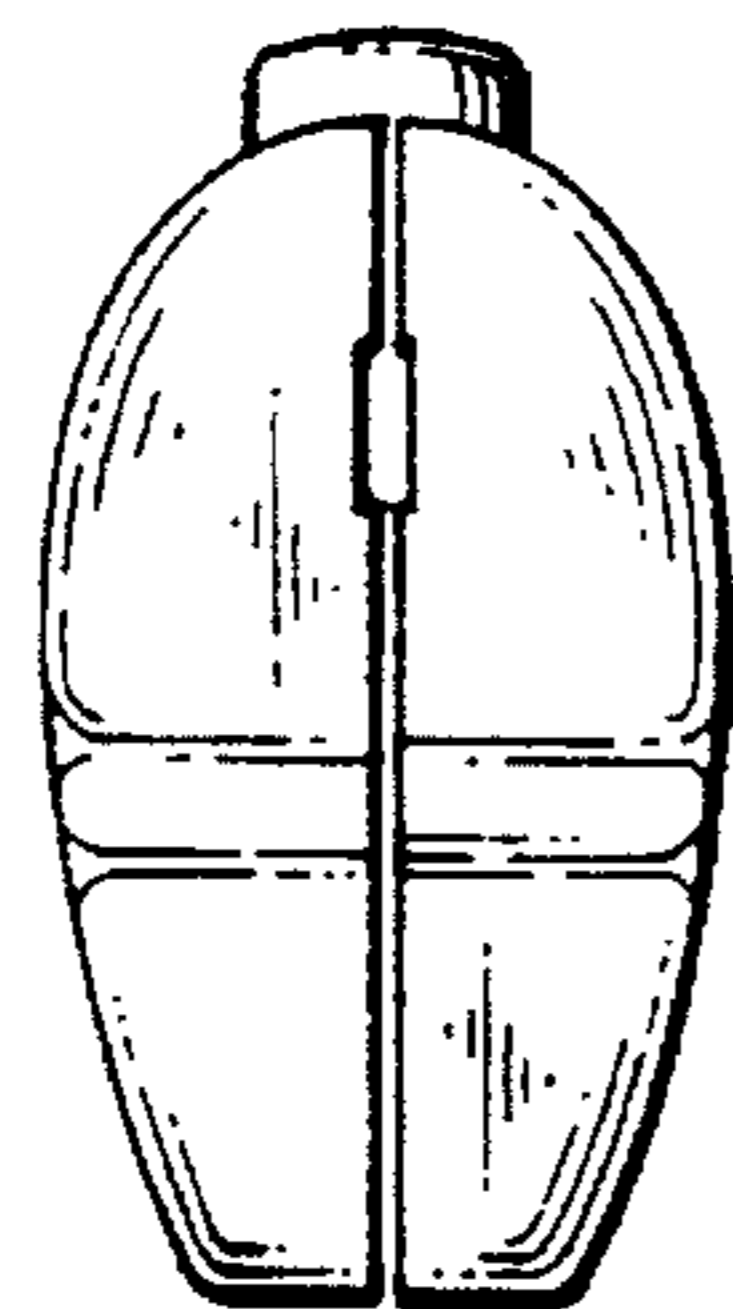


FIG. 3

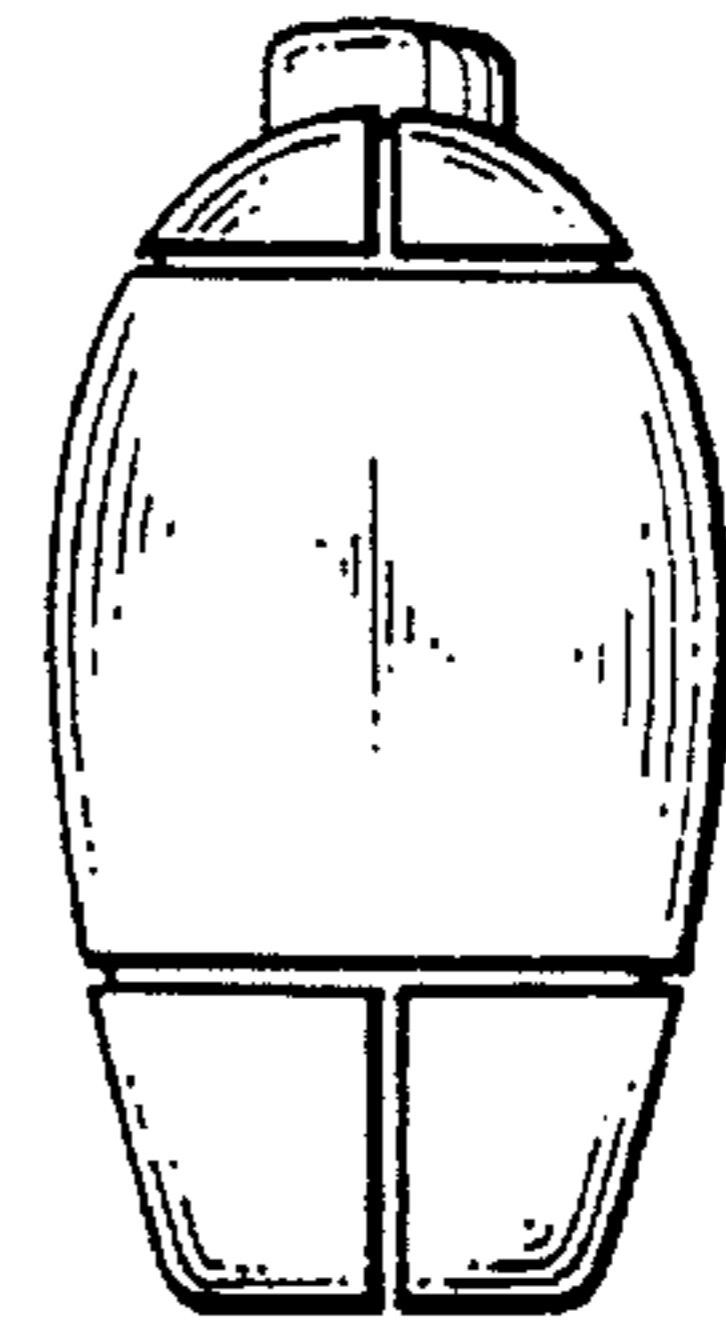


FIG. 4



FIG. 5

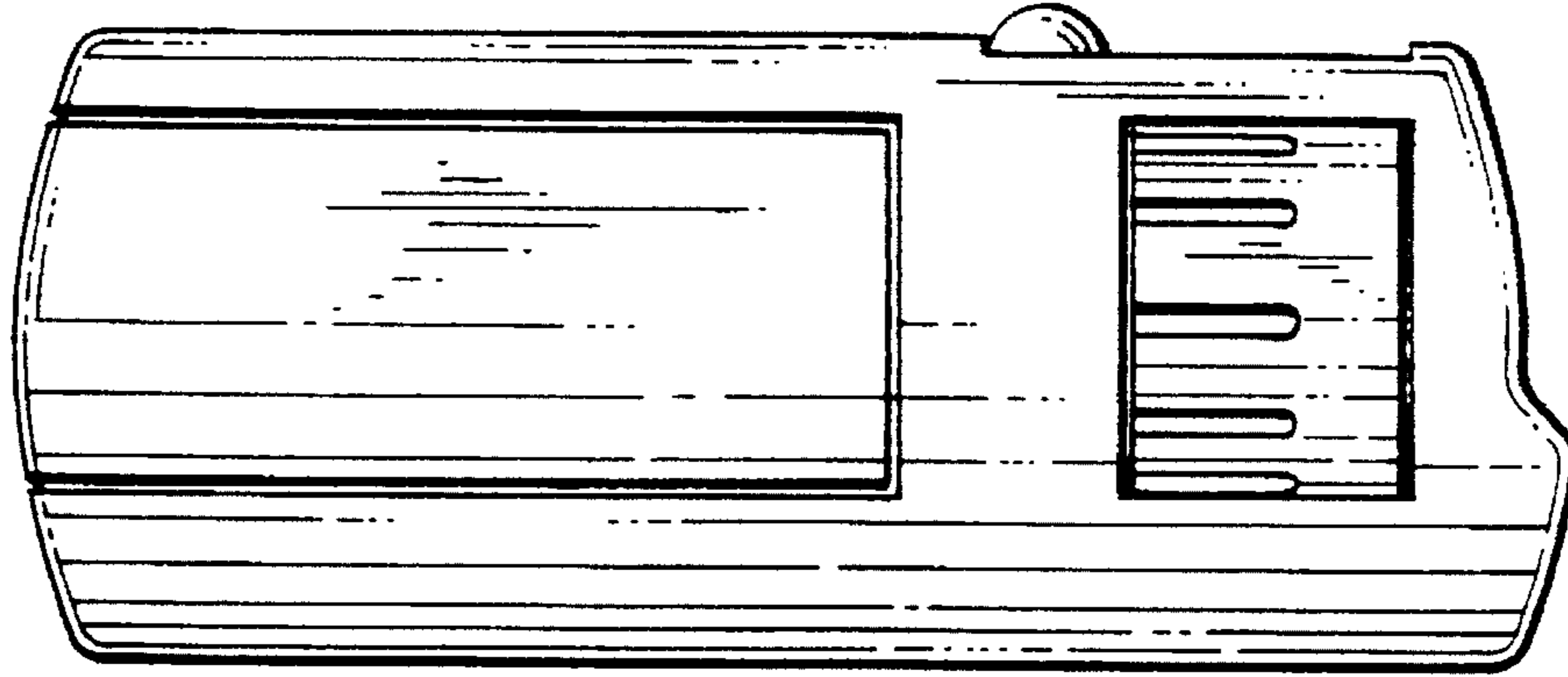


FIG. 6

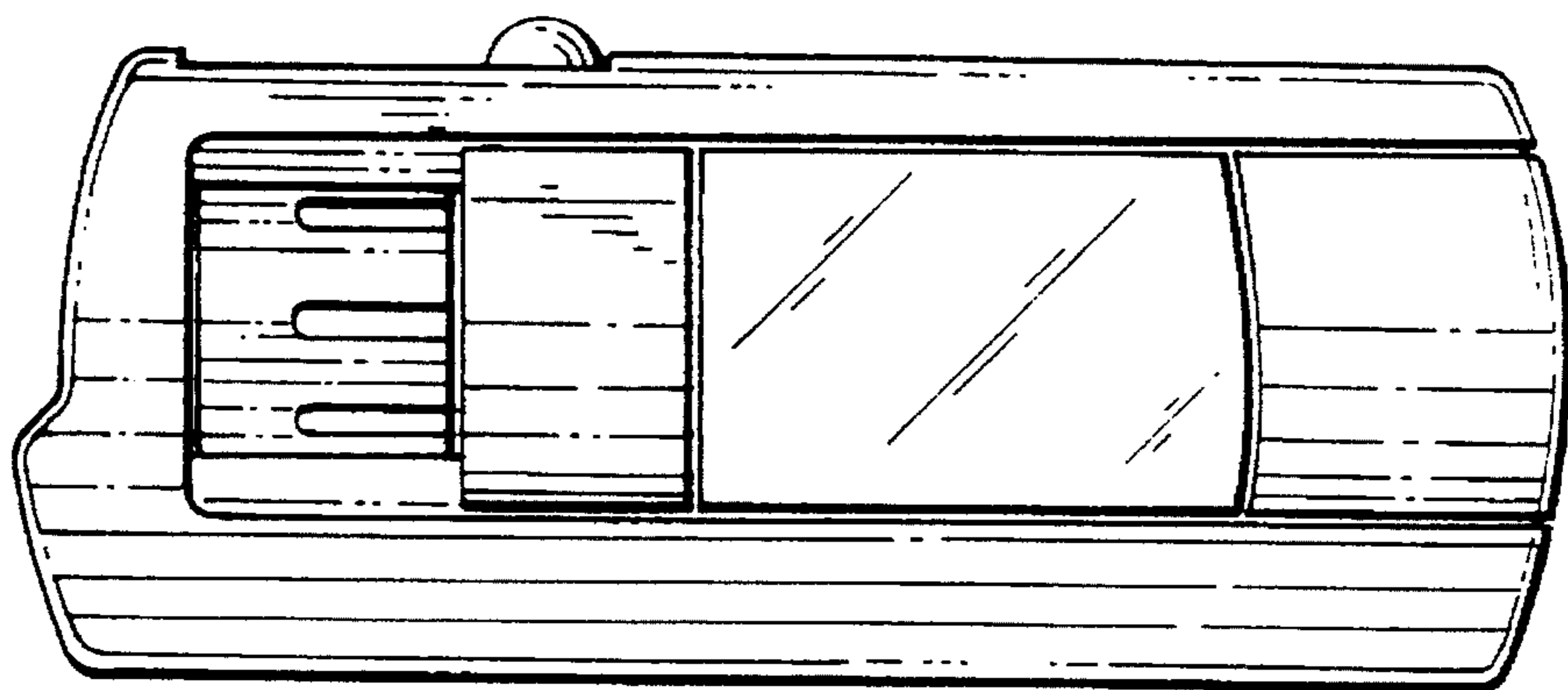


FIG. 7