



US00D369862S

United States Patent [19]

Stewart, Jr.

[11] Patent Number: **Des. 369,862**

[45] Date of Patent: ****May 14, 1996**

[54] **COMPACT MANUAL VACUUM PUMP**

5,020,522 6/1991 Stewart D24/142

[75] Inventor: **Ed Stewart, Jr.**, Dodge City, Kans.

Primary Examiner—Ralf Seifert

[73] Assignee: **Pos-T-Vac, Inc.**, Dodge City, Kans.

Attorney, Agent, or Firm—Hovey, Williams, Timmons & Collins

[**] Term: **14 Years**

[57] CLAIM

[21] Appl. No.: **36,117**

The ornamental design for a compact manual vacuum pump, as shown and described.

[22] Filed: **Mar. 13, 1995**

[52] U.S. Cl. **D24/143**

DESCRIPTION

[58] Field of Search D24/143; D15/7; 128/79; 600/38, 39, 41

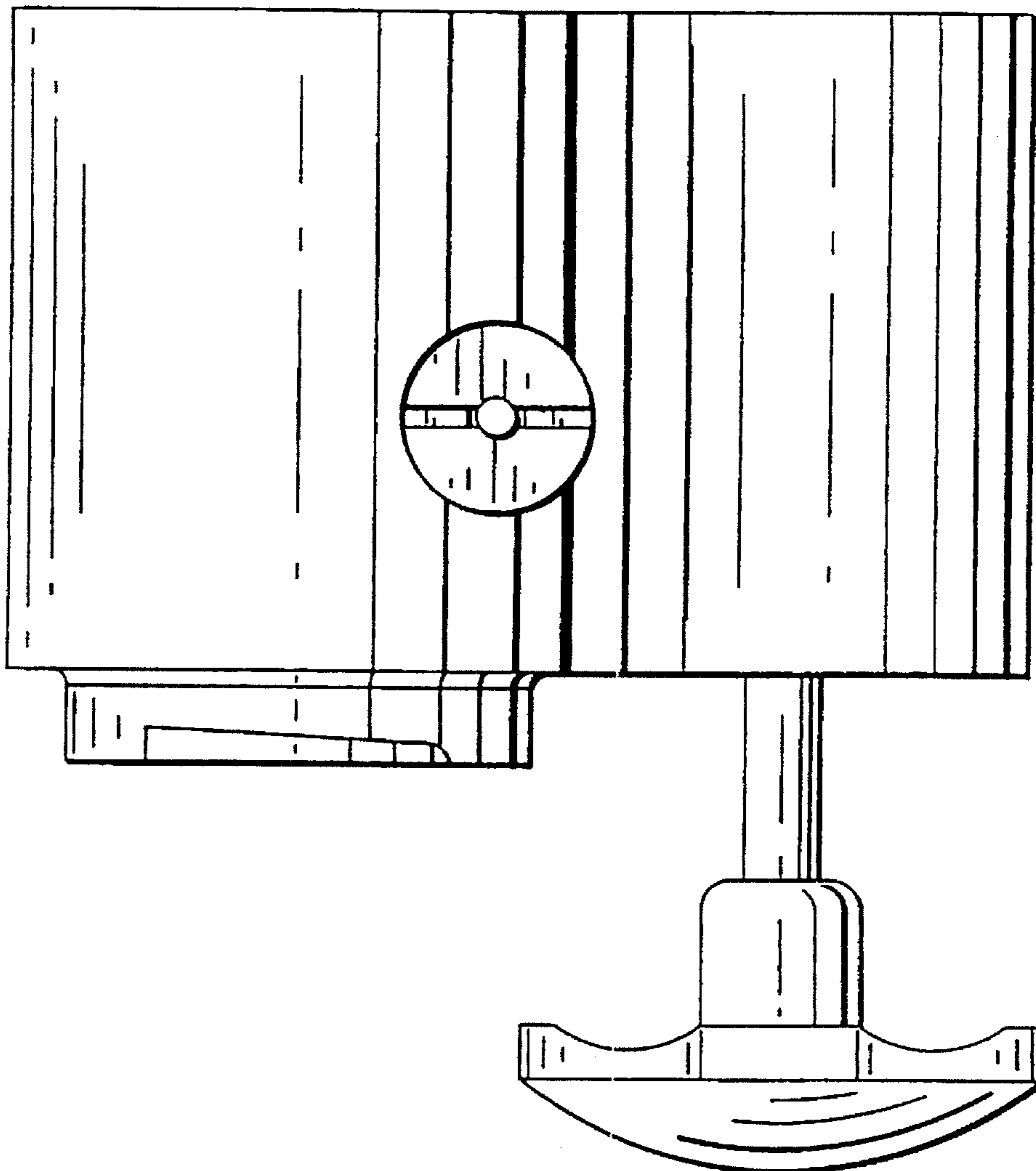
FIG. 1 is a right side elevational view of the compact manual vacuum pump in accordance with the present invention; FIG. 2 is a top plan view thereof; FIG. 3 is a bottom view thereof; FIG. 4 is a rear elevational view thereof; FIG. 5 is a left side elevational view thereof; and, FIG. 6 is a front elevational view thereof.

[56] References Cited

U.S. PATENT DOCUMENTS

| | | | | |
|------------|---------|---------|-------|---------|
| D. 330,081 | 10/1992 | Walsh | | D24/143 |
| D. 345,420 | 3/1994 | Stewart | | D24/143 |
| D. 346,023 | 4/1994 | Stewart | | D24/143 |
| 1,225,341 | 5/1917 | Lederer | | D24/143 |

1 Claim, 1 Drawing Sheet



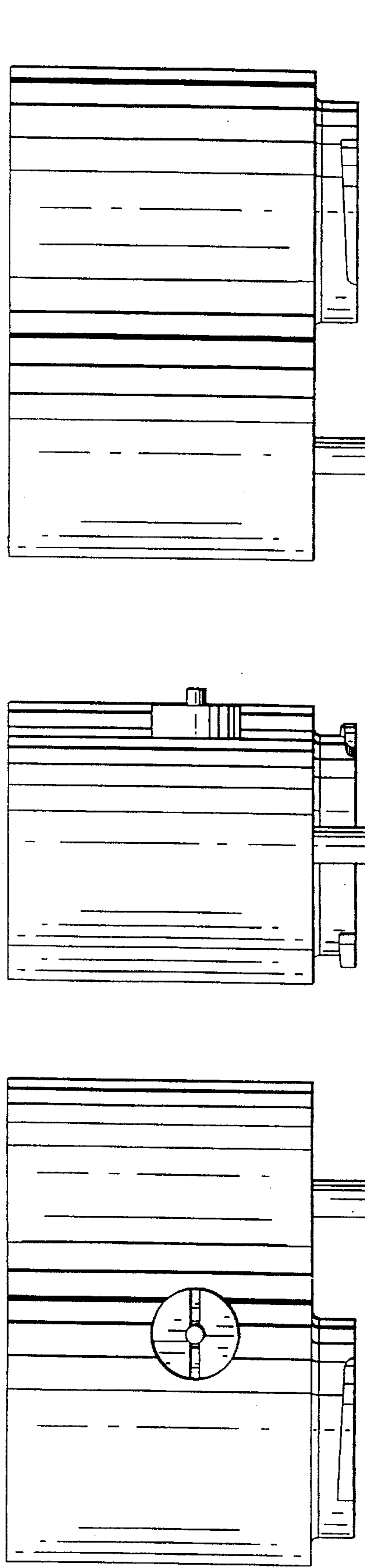


Fig. 5.

Fig. 4.

Fig. 1.

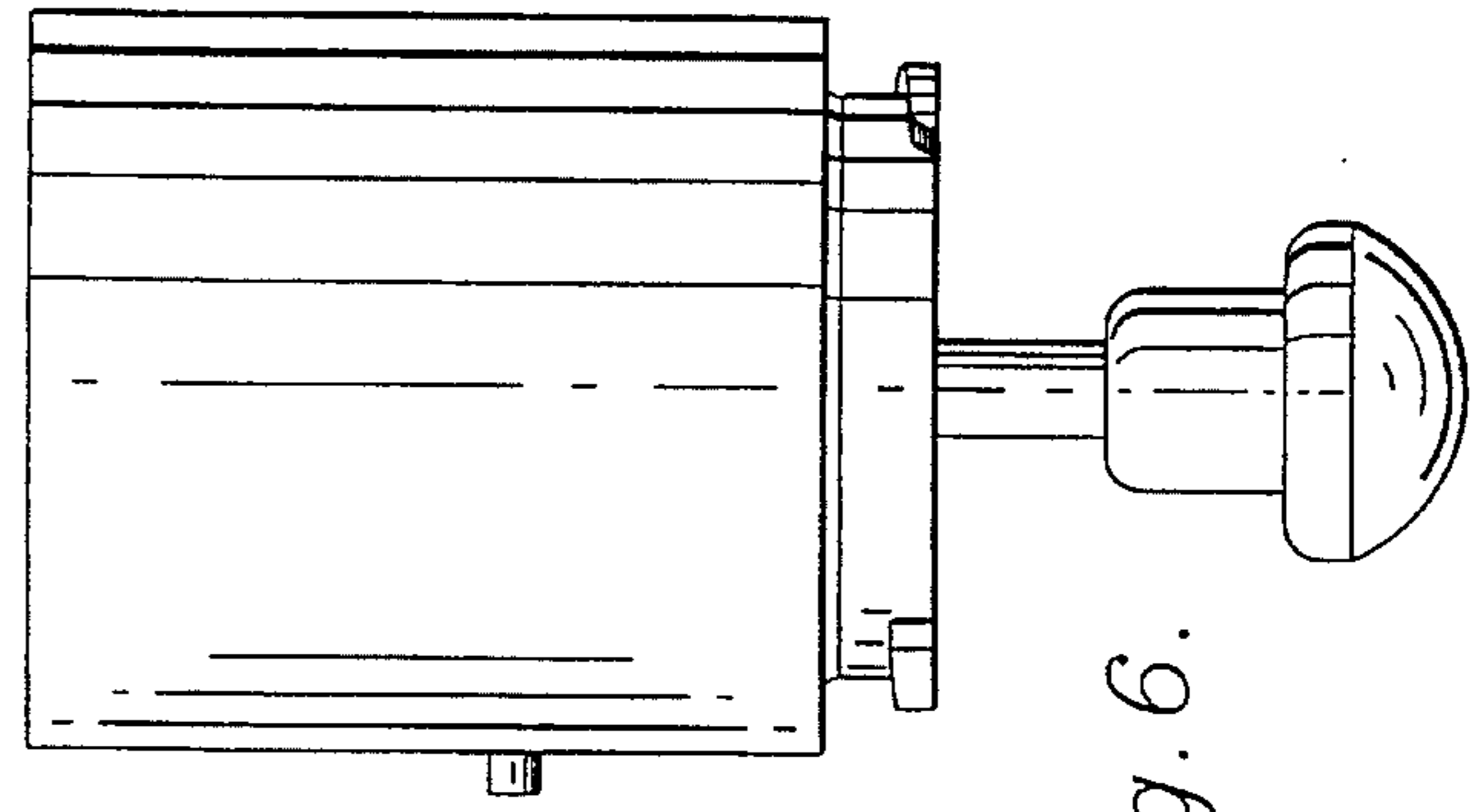


Fig. 6.

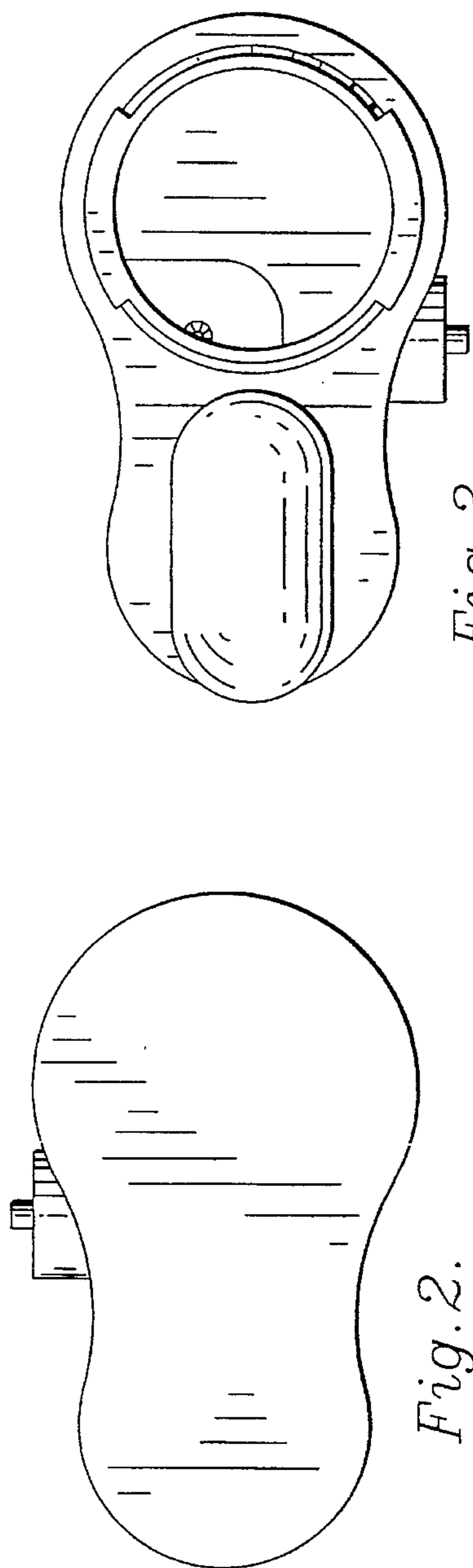


Fig. 2.

Fig. 3.