



US00D369857S

United States Patent [19]

Booth et al.

[11] Patent Number: **Des. 369,857**

[45] Date of Patent: ****May 14, 1996**

[54] **BALLOON FOR A CATHETER**

[75] Inventors: **William M. Booth**, Paw Paw; **James H. Devries**, Grand Rapids, both of Mich.

[73] Assignee: **Medtronic, Inc.**, Minneapolis, Minn.

[**] Term: **14 Years**

5,041,093 8/1991 Chu .
 5,122,125 6/1992 Deuss 604/282
 5,158,545 10/1992 Trudell et al. .
 5,180,368 1/1993 Garrison .
 5,196,024 3/1993 Barath .
 5,242,397 9/1993 Barath et al. 604/96
 5,320,634 6/1994 Vigil et al. 606/170 X
 5,324,260 6/1994 O'Neill et al. 604/96
 5,324,284 6/1994 Imran 604/95 X

[21] Appl. No.: **8,974**

[22] Filed: **May 28, 1993**

Primary Examiner—Louis S. Zarfes
Assistant Examiner—I. Simmons
Attorney, Agent, or Firm—Varnum, Riddering, Schmidt & Howlett

Related U.S. Application Data

[63] Continuation-in-part of Ser. No. 999,488, Dec. 30, 1992, abandoned.

[52] U.S. Cl. **D24/112**

[58] Field of Search D24/112, 115, D24/130, 108; 128/757, 756; 604/96, 101, 270, 284, 54, 53, 196, 280, 283; 606/191, 192, 194

[57] CLAIM

The ornamental design for a balloon for a catheter, as shown and described.

DESCRIPTION

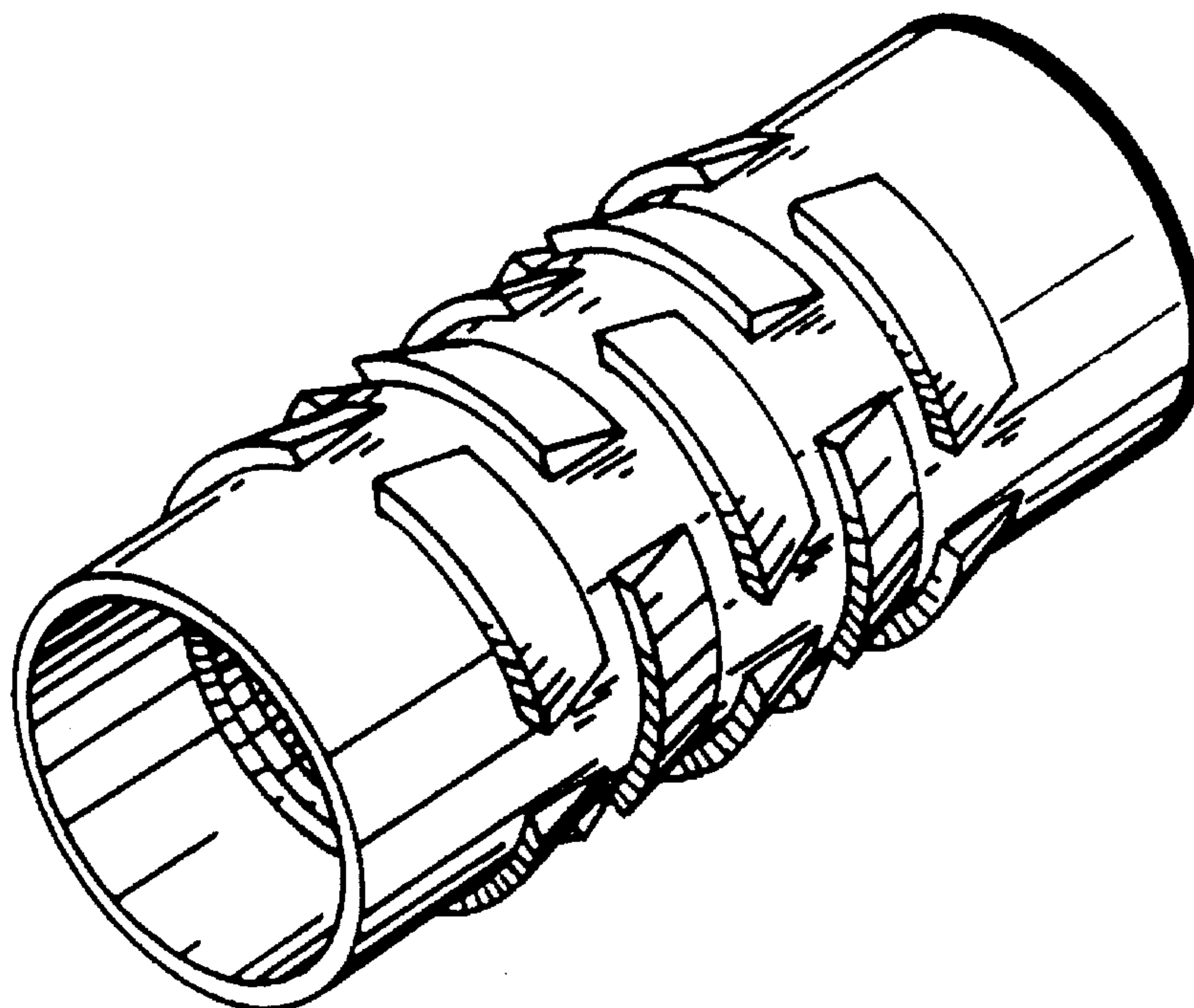
FIG. 1 is a perspective view of a balloon for a catheter which embodies our design;
 FIG. 2 is a plan view thereof;
 FIG. 3 is a front elevational view thereof, the rear elevational view thereof, right side elevational view thereof and left side elevational view thereof being mirror images thereof;
 FIG. 4 is a bottom plan view thereof;
 FIG. 5 is a perspective view of a second embodiment of a balloon for a catheter which embodies our design;
 FIG. 6 is a plan view thereof;
 FIG. 7 is a front elevational view thereof, the rear elevational view thereof, right side elevational view thereof and left side elevational view thereof being mirror images thereof; and,
 FIG. 8 is a bottom plan view thereof.

[56] References Cited

U.S. PATENT DOCUMENTS

2,927,584 3/1960 Wallace .
 3,635,223 1/1972 Klieman .
 3,815,608 6/1974 Spinosa et al. .
 3,970,090 7/1976 Loiacono .
 4,465,072 8/1984 Taheri 128/757
 4,689,041 8/1987 Corday et al. .
 4,721,109 1/1988 Healey 128/757 X
 4,927,412 5/1990 Menasche .
 5,021,045 6/1991 Buckberg et al. 604/53
 5,030,201 7/1991 Palestrant 604/53 X
 5,033,998 7/1991 Corday et al. .

1 Claim, 2 Drawing Sheets



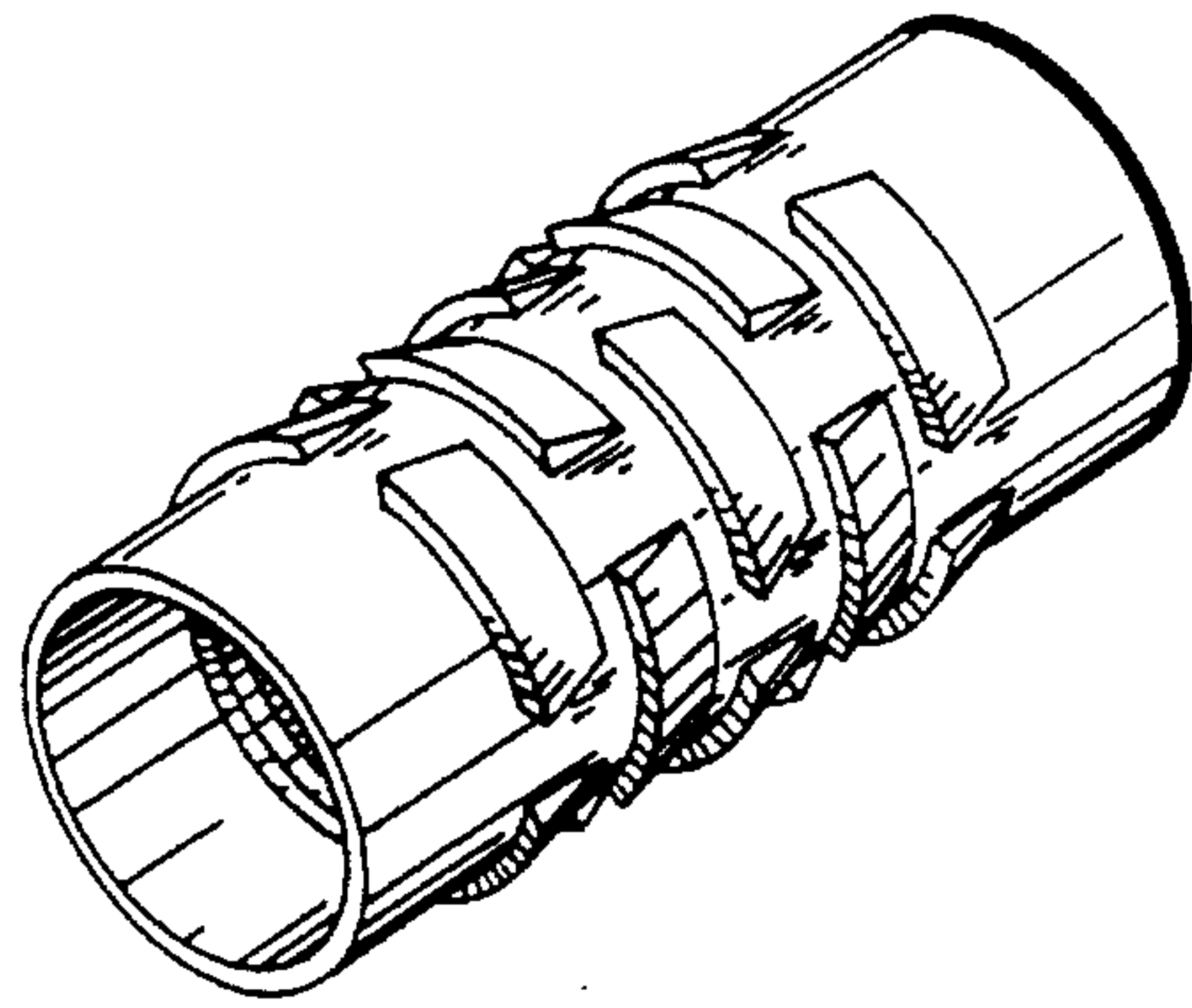


FIG. 1

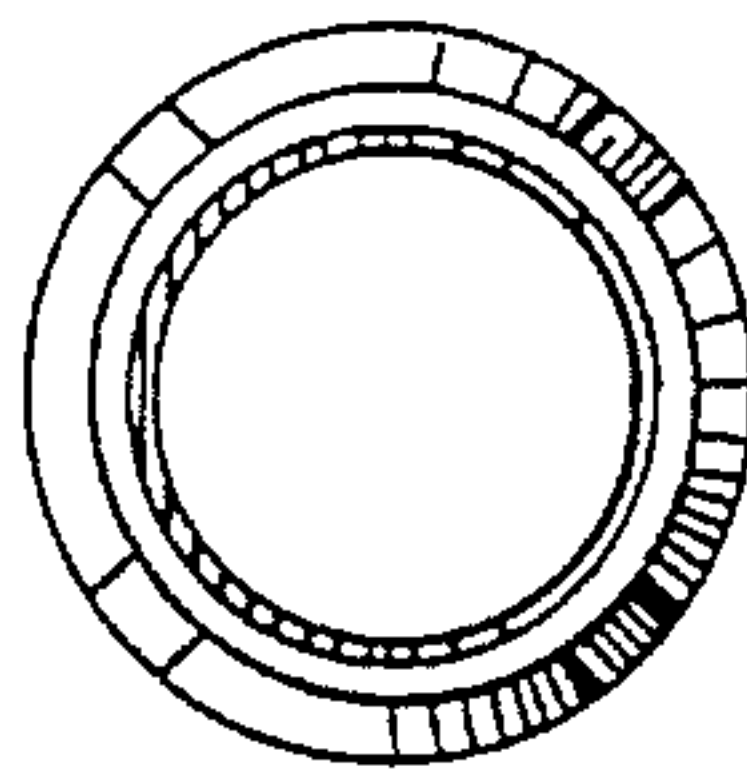


FIG. 2

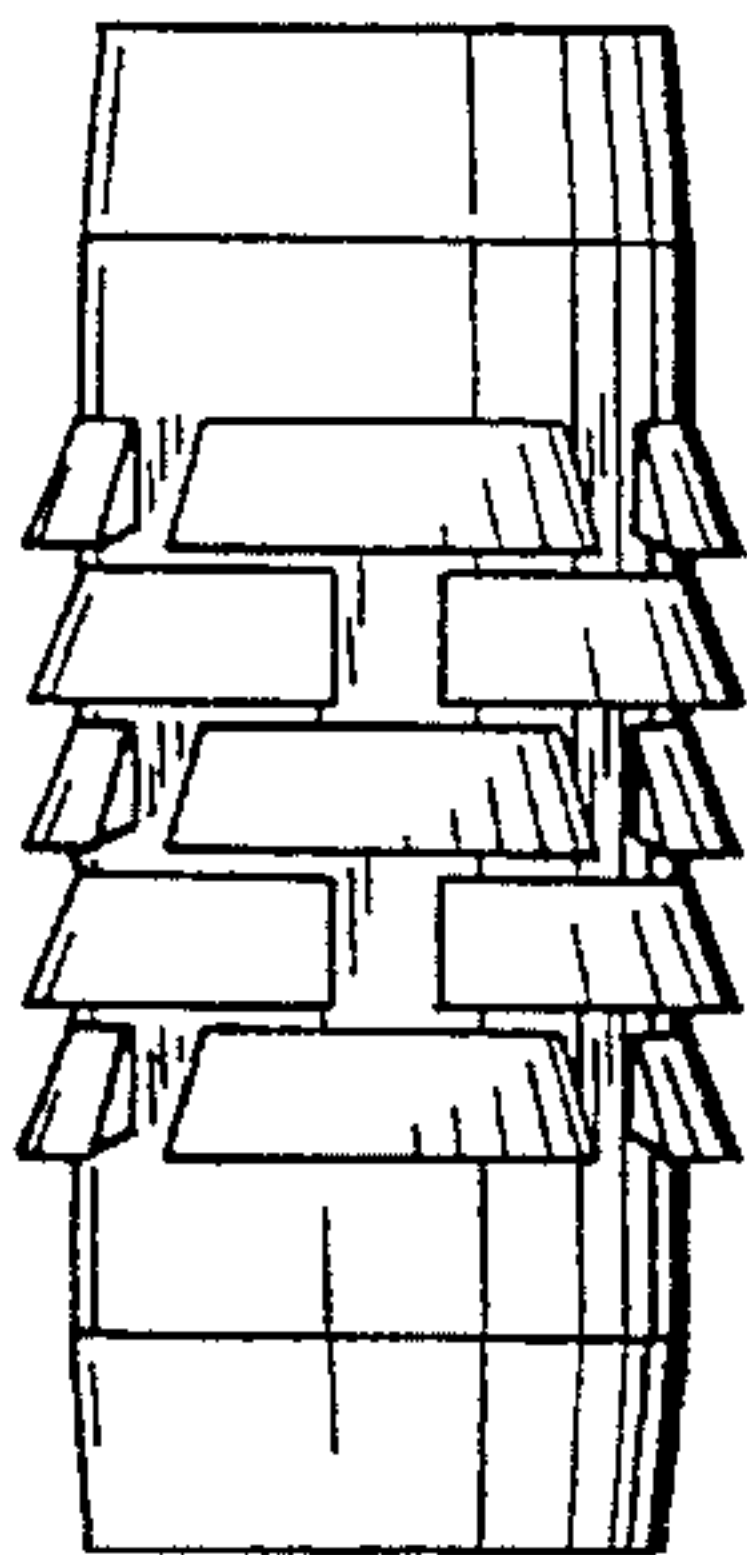


FIG. 3

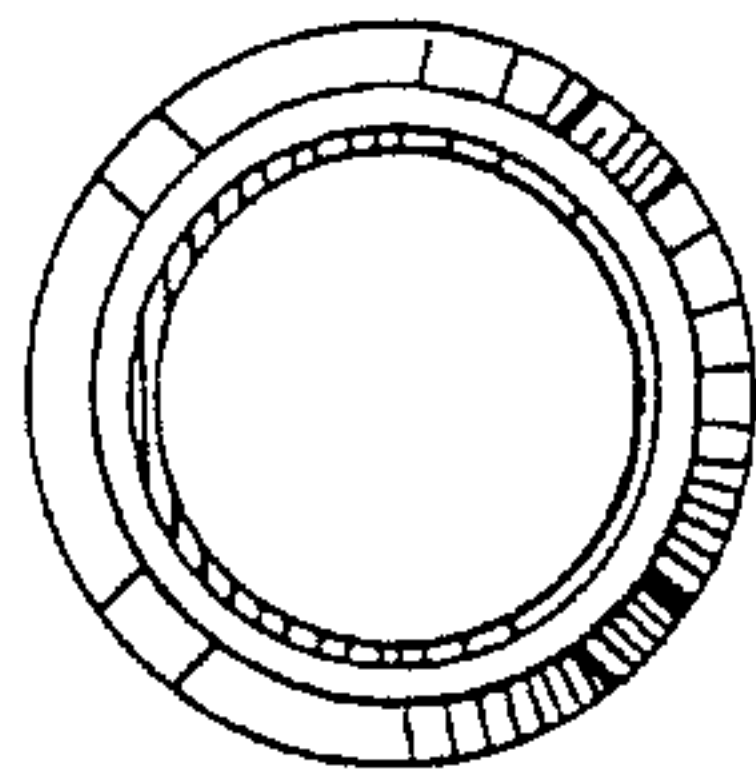


FIG. 4

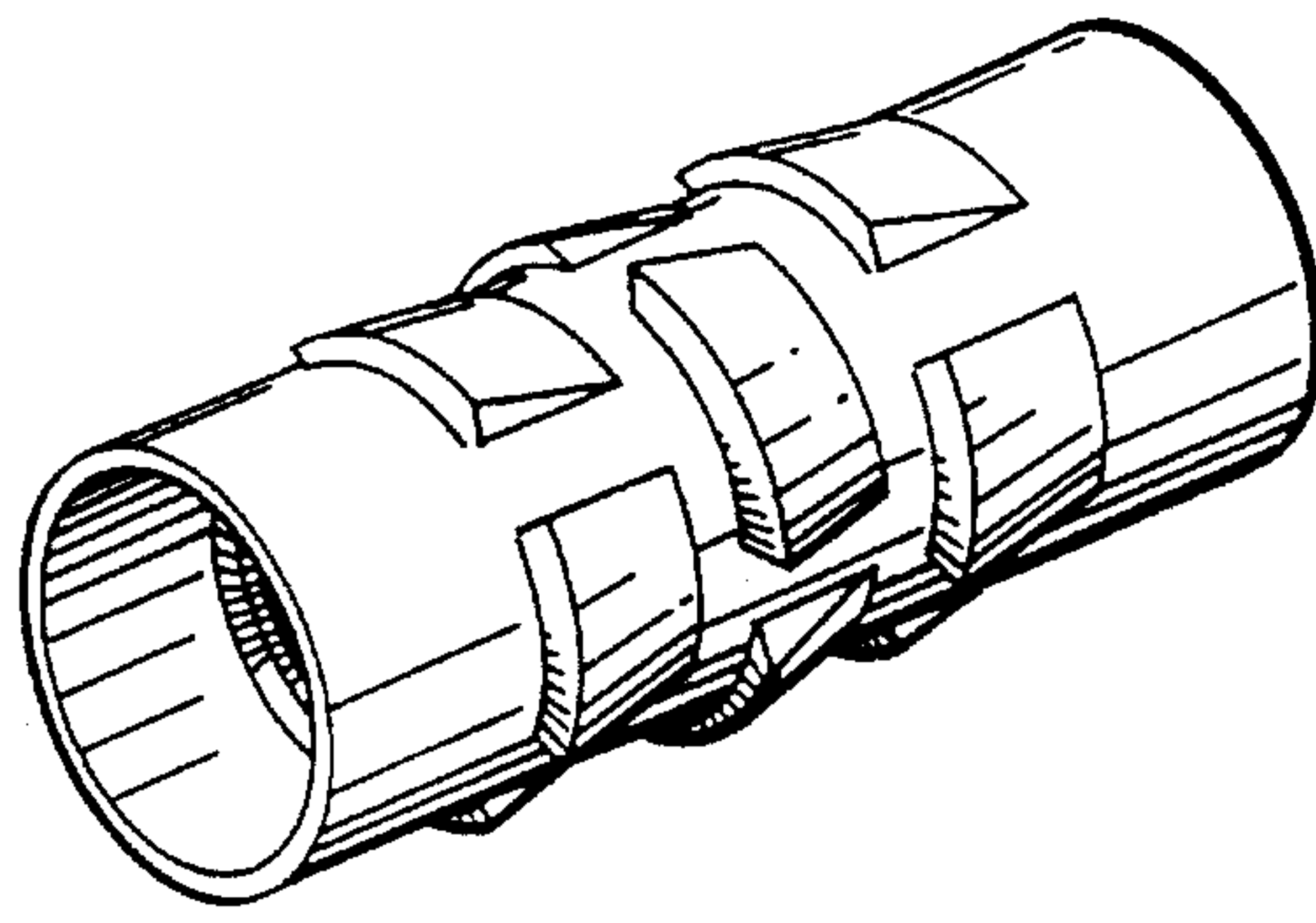


FIG. 5

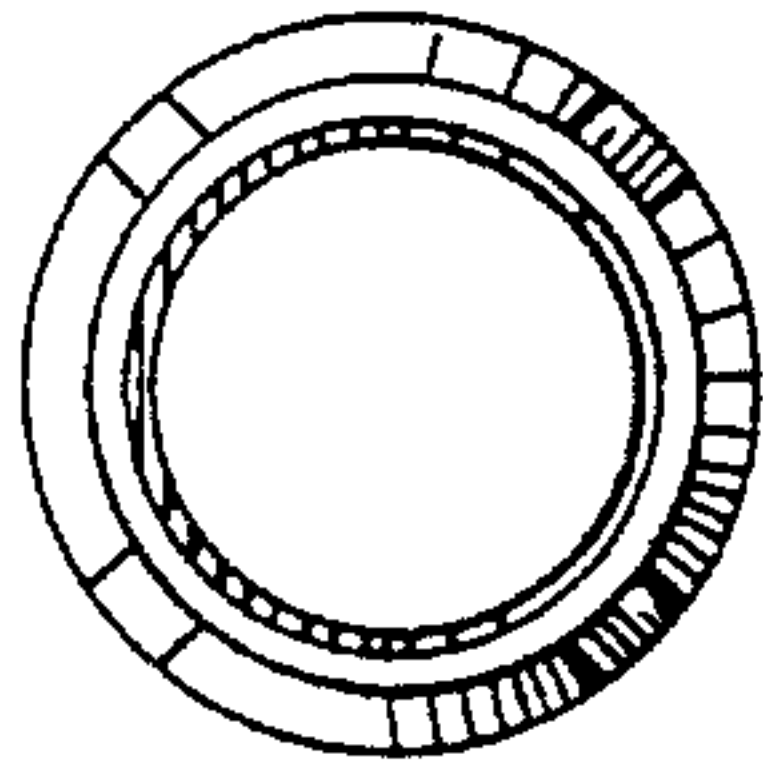


FIG. 6

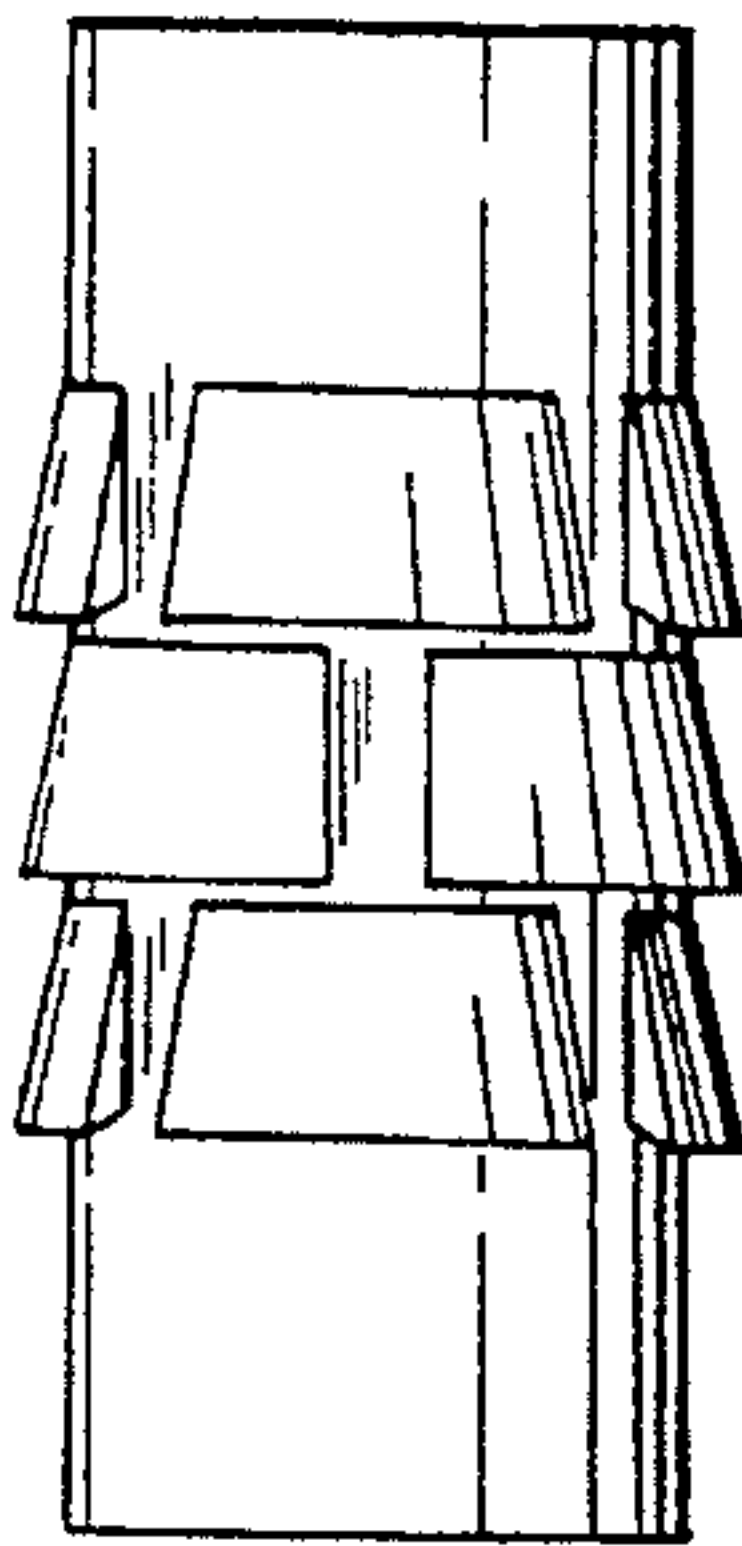


FIG. 7

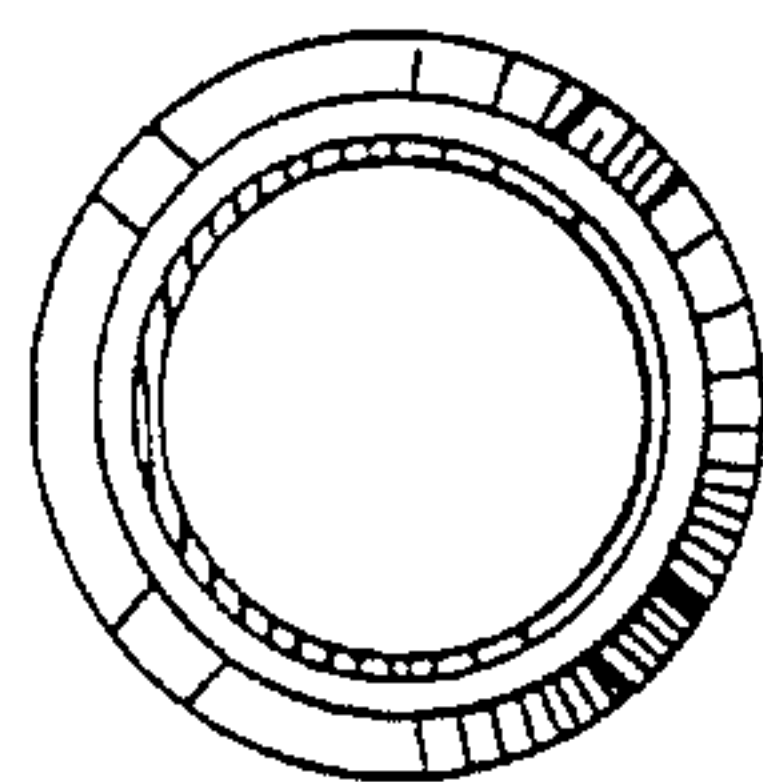


FIG. 8