



US00D369856S

United States Patent [19]

Lucido et al.

[11] Patent Number: **Des. 369,856**

[45] Date of Patent: ****May 14, 1996**

[54] **COMBINED URINE GUARD AND TOILET TRAINER WITH TARGET**

4,215,443 8/1980 Babik .
4,790,039 12/1988 Speer .
5,117,512 6/1992 Bressler 4/300.3

[76] Inventors: **Deborah A. Lucido**, 7314 Lassie Dr., Alma, Mich. 48801; **Edward B. Ward**, 8291 Lindsey Rd., Richmond, Mich. 48064

Primary Examiner—Stella Reid
Assistant Examiner—Eric Watterson
Attorney, Agent, or Firm—Terry M. Gernstein

[**] Term: **14 Years**

[57] **CLAIM**

[21] Appl. No.: **38,281**

The ornamental design for a combined urine guard and toilet trainer with target, as shown and described.

[22] Filed: **May 1, 1995**

DESCRIPTION

[52] U.S. Cl. **D23/310**

[58] Field of Search D23/296, 297, D23/310; 4/237, 300.3, 415, DIG. 3

FIG. 1 is a rear, top exploded perspective view of a combined urine guard and toilet trainer with target showing my new design;

FIG. 2 is a front elevational view with the target attached;

FIG. 3 is a rear elevational view thereof;

FIG. 4 is a side elevational view thereof, the side opposite being a mirror image of the side shown in FIG. 4;

FIG. 5 is a top plan view thereof; and,

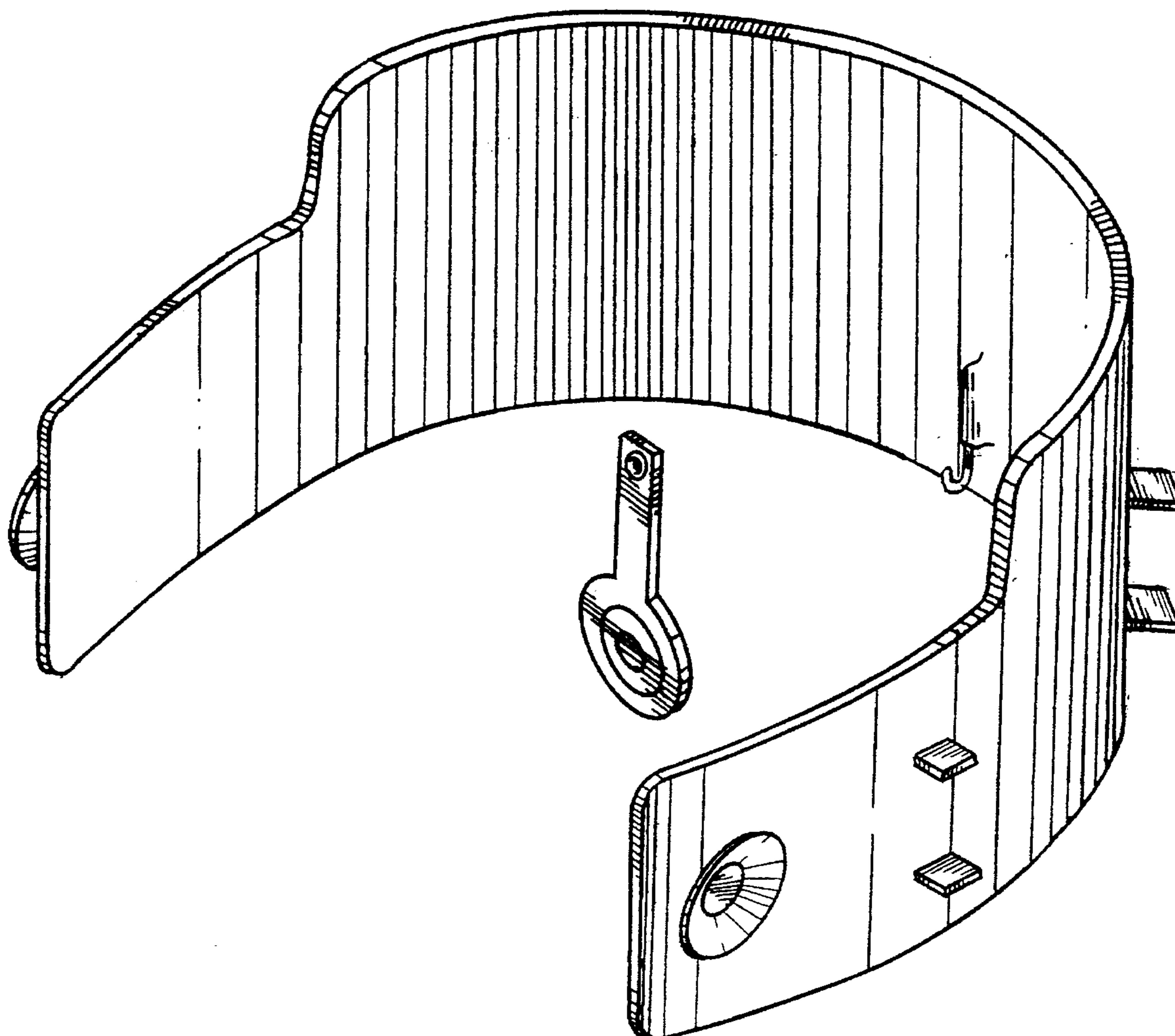
FIG. 6 is a bottom plan view thereof.

[56] **References Cited**

U.S. PATENT DOCUMENTS

D. 245,425	8/1977	Annis	D23/310
2,980,919	4/1961	Otto et al.	D23/302 X
3,071,778	1/1963	Renshaw	4/300.3
4,010,497	3/1977	Menter .	

1 Claim, 4 Drawing Sheets



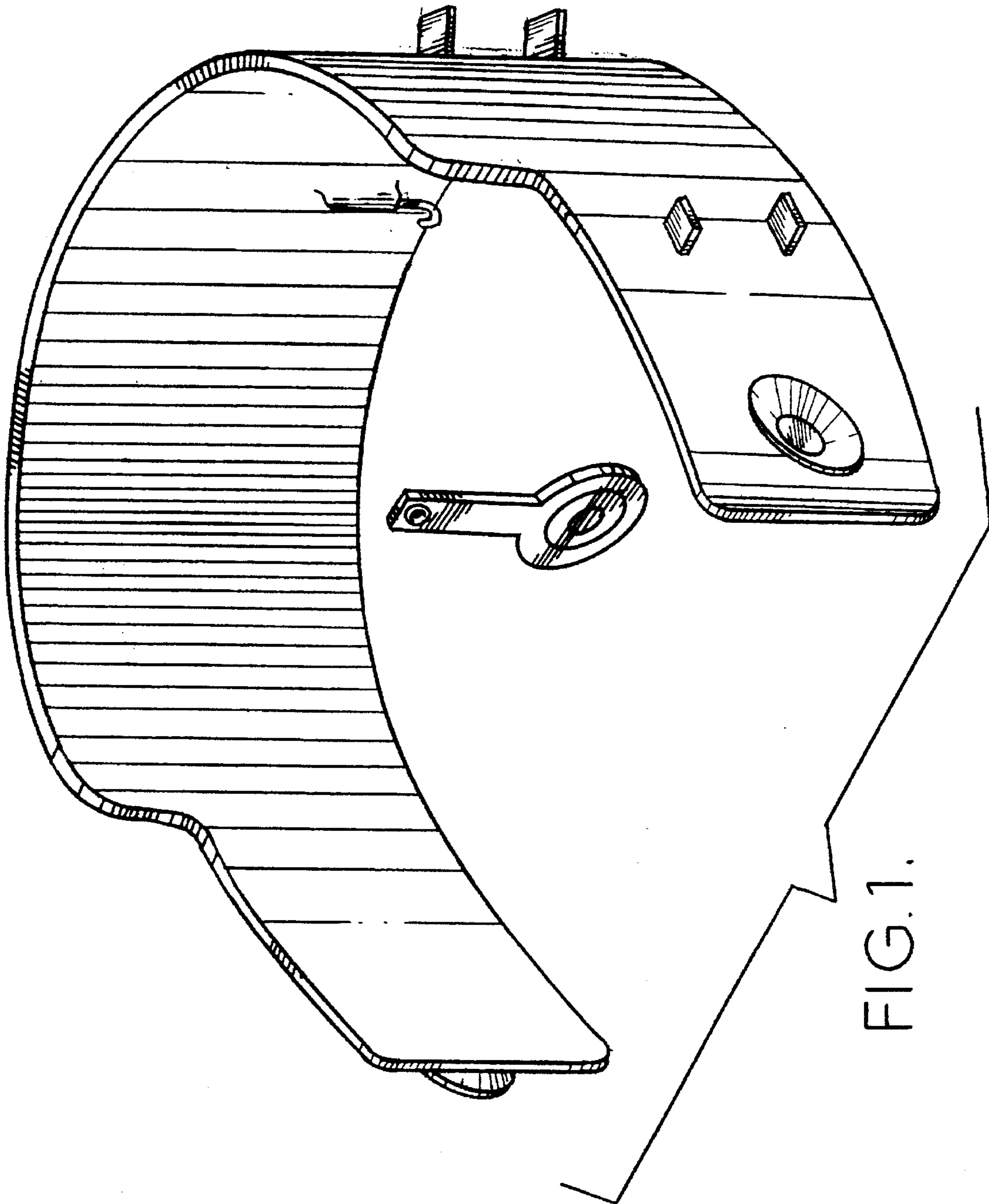


FIG. 5.

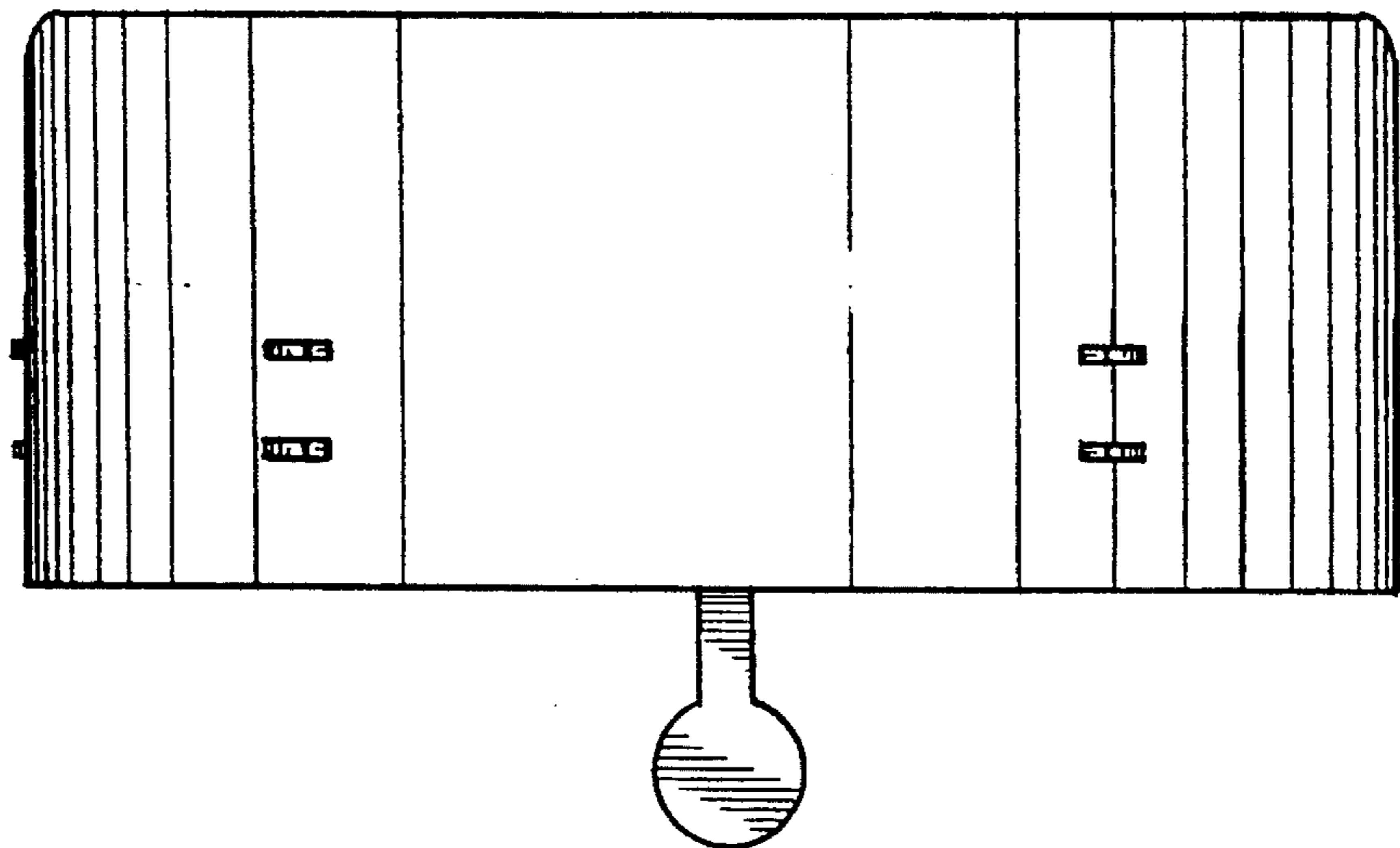
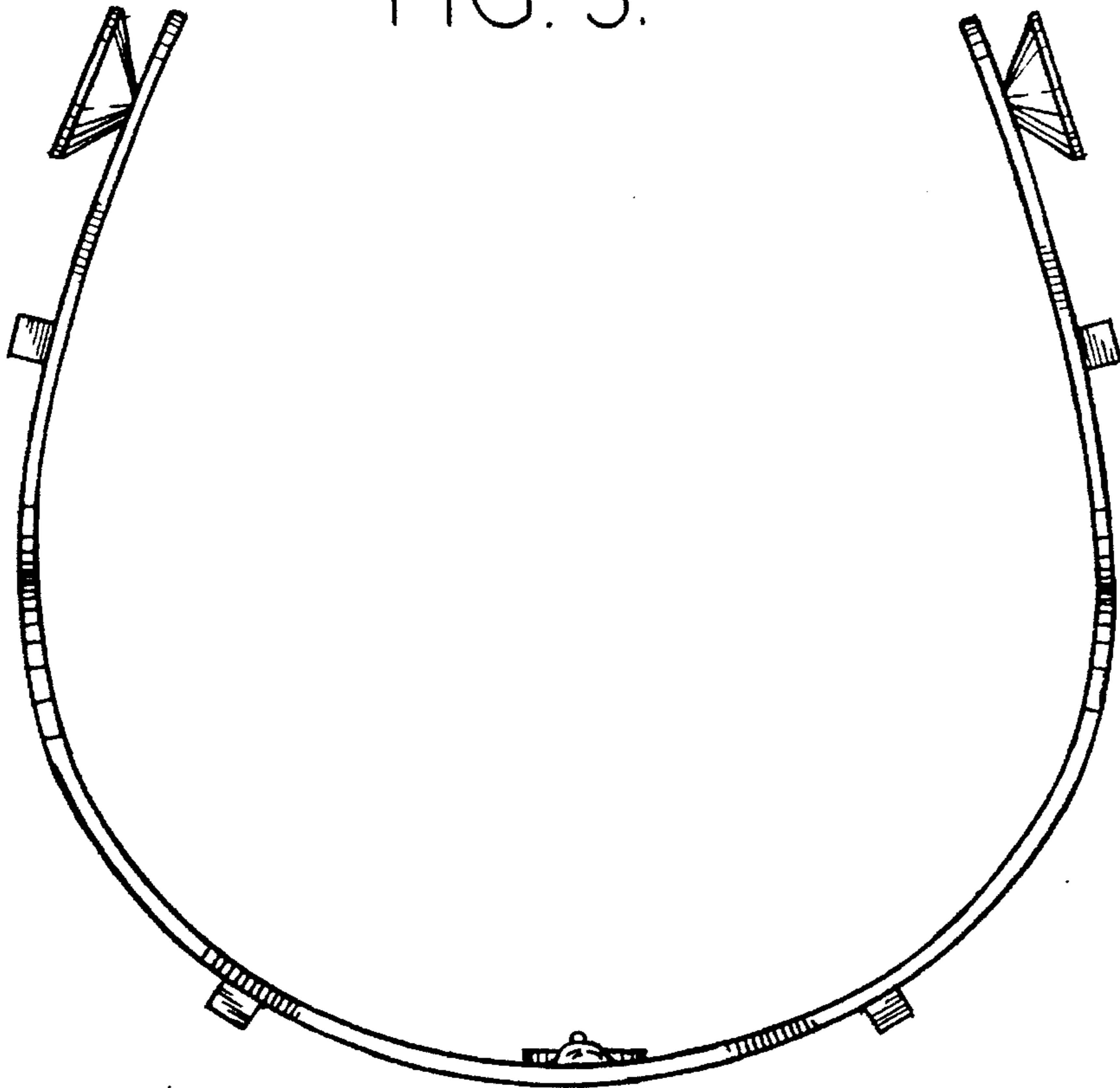


FIG. 2

FIG. 6.

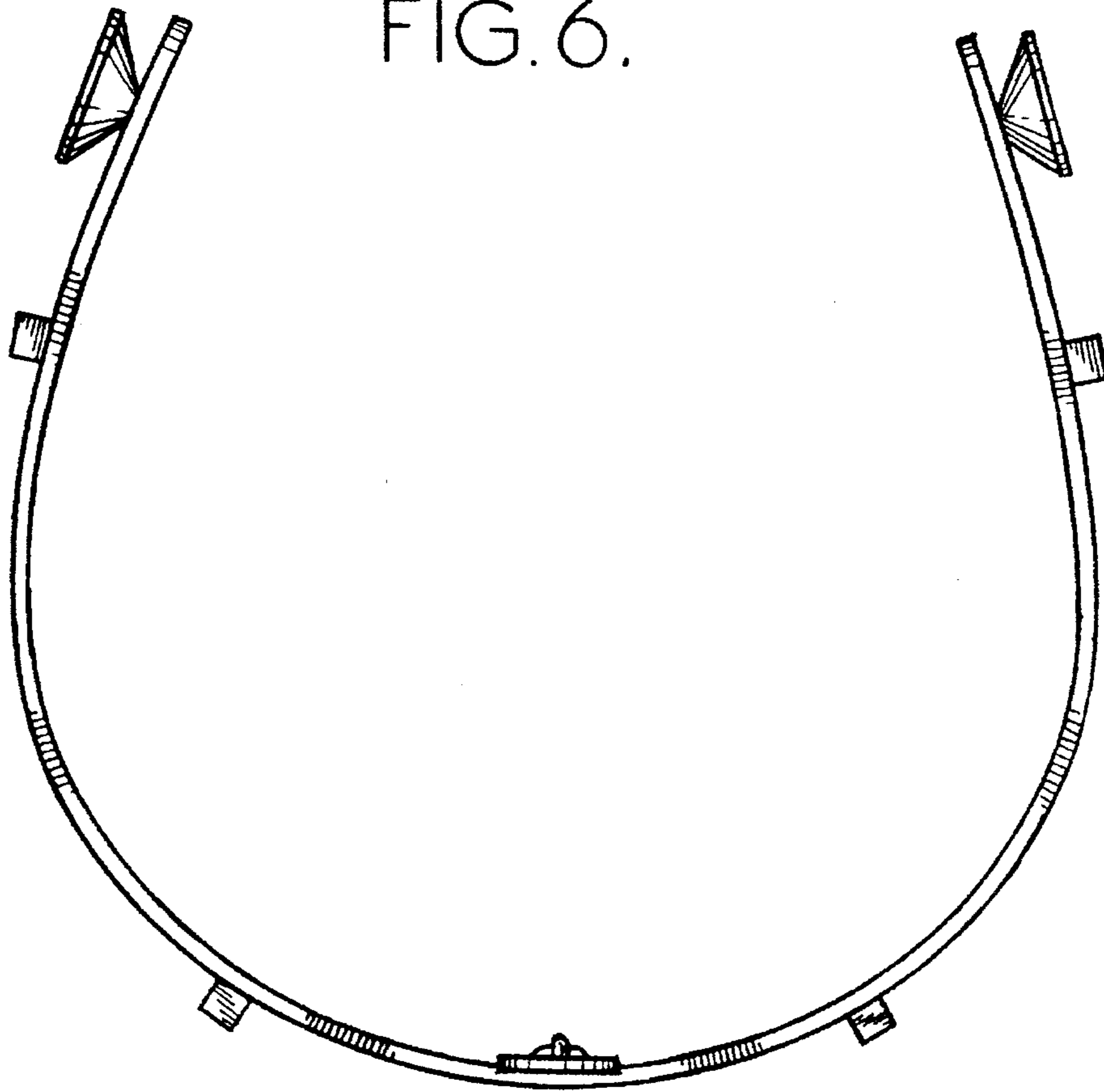
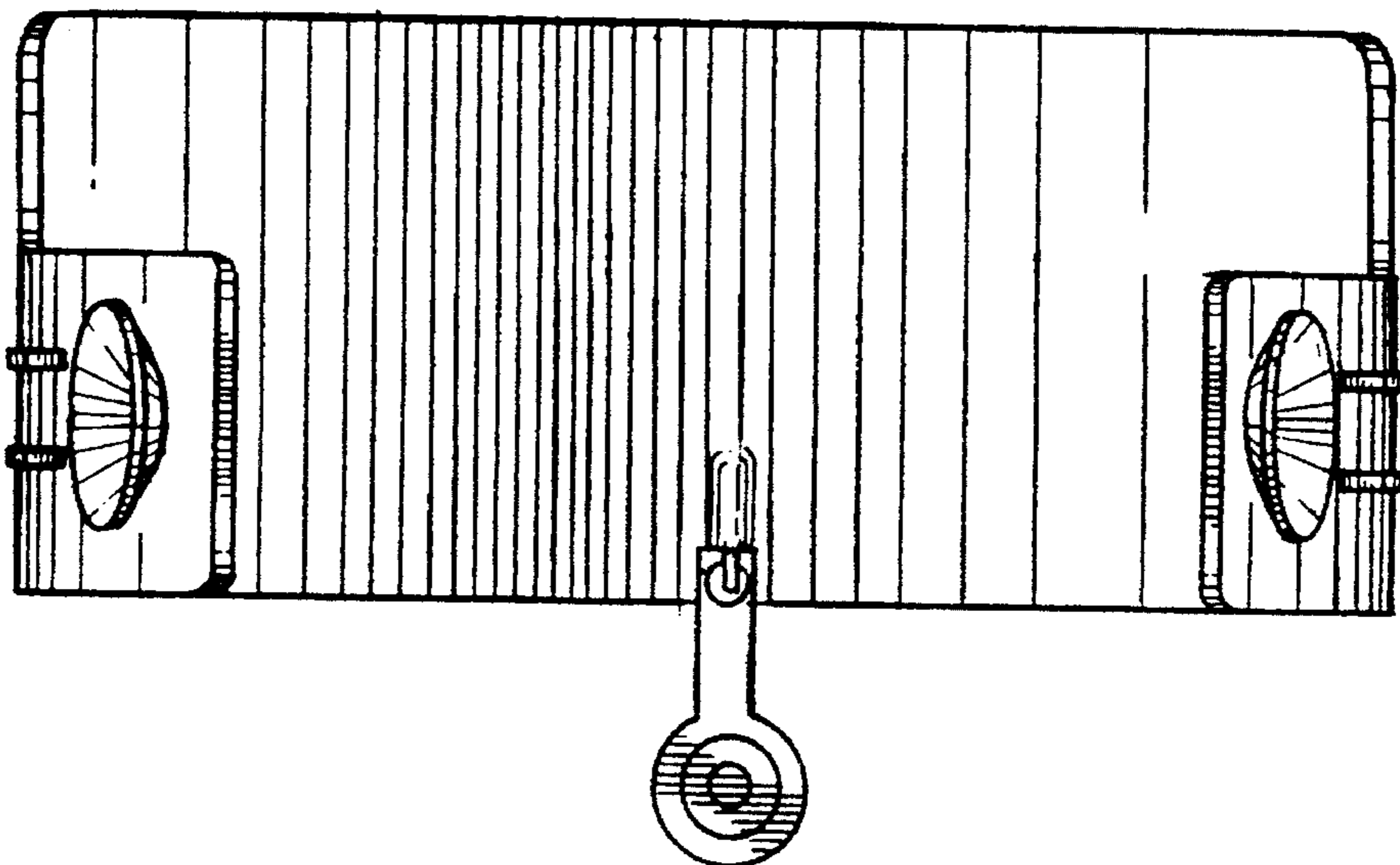


FIG. 3.



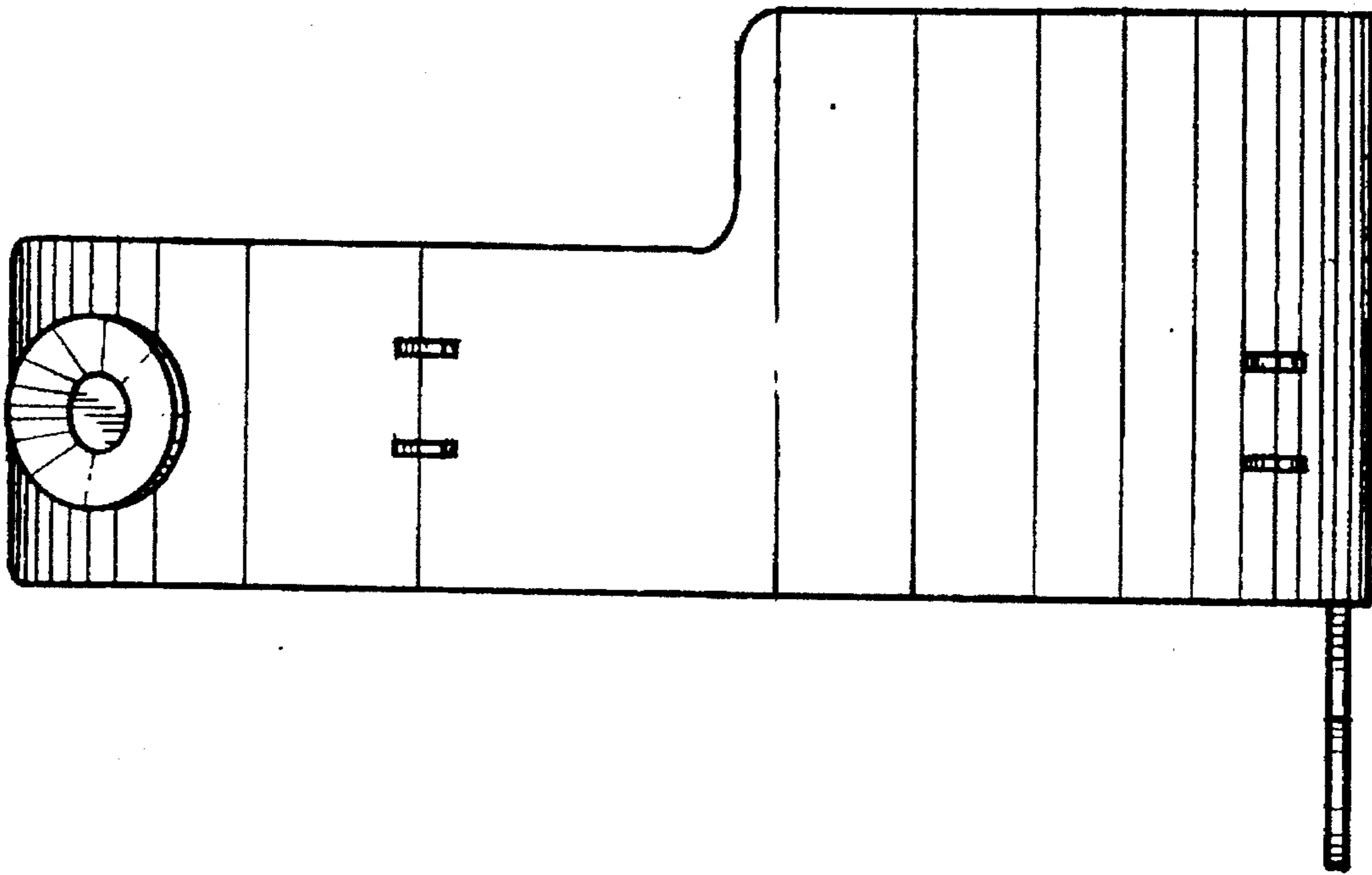


FIG. 4