



US00D369855S

# United States Patent [19]

Reid et al.

[11] Patent Number: **Des. 369,855**

[45] Date of Patent: **\*\*May 14, 1996**

[54] LAVATORY

[75] Inventors: **Mary J. Reid**, Sheboygan, Wis.; **Bruce M. Sauter**, Elgin, Ill.

[73] Assignee: **Sterling Plumbing Group, Inc.**, Rolling Meadows, Ill.

[\*\*] Term: **14 Years**

[21] Appl. No.: **27,077**

[22] Filed: **Aug. 12, 1994**

[52] U.S. Cl. .... **D23/293.1**

[58] Field of Search ..... D23/284, 285, D23/287, 288, 289, 290, 292, 293.1; 4/619, 624, 625, 629, 638-642, 646, DIG. 14

[56] **References Cited**

**U.S. PATENT DOCUMENTS**

D. 170,227	10/1953	Stanitz .	
D. 170,727	10/1953	Stanitz .....	D23/21
D. 222,586	11/1971	Hives .	
D. 315,402	3/1991	Lenahan .....	D23/293.1
D. 318,522	7/1991	Yvetot .....	D23/288
D. 320,264	9/1991	Lenahan .....	D23/293.1
D. 336,950	6/1993	Dannenberg .....	D23/284
D. 351,460	10/1994	Kohler, Jr. et al. ....	D23/284

**OTHER PUBLICATIONS**

Pp. 8-12 from a 1985 Kohler catalog showing a Model K-2931 lavatory.

Pp. 13-11 dated Jun. 1993 of a Kohler catalog showing a Model K-2246 lavatory.

P. 2.45 from an Eljer catalog believed to have been published in 1992 or earlier showing a Model 052-0284 lavatory, admitted prior art.

P. 32 from a 1990 American Standard catalog showing several lavatories.

*Primary Examiner*—Louis S. Zarfes  
*Assistant Examiner*—E. Watterson  
*Attorney, Agent, or Firm*—Quarles & Brady

[57] **CLAIM**

The ornamental design for a lavatory, as shown and described.

**DESCRIPTION**

FIG. 1 is a perspective view taken from the top, front and right side of a lavatory showing our new design;

FIG. 2 is a front elevational view thereof;

FIG. 3 is a top plan view thereof;

FIG. 4 is a right side elevational view thereof, the left side being the mirror image of the right side;

FIG. 5 is a rear elevational view thereof;

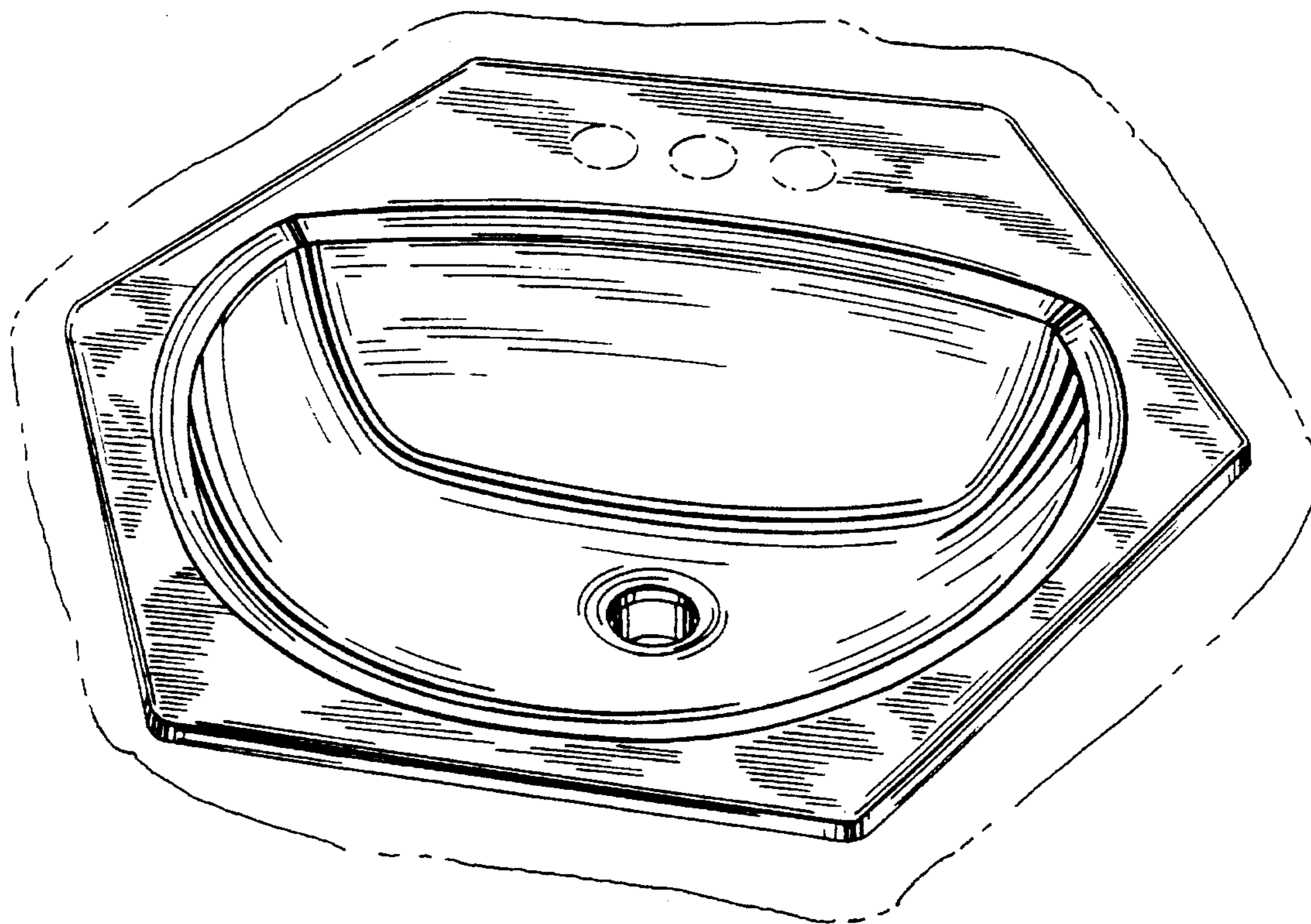
FIG. 6 is a bottom plan view thereof;

FIG. 7 is a cross-sectional view taken on along section 7-7 of FIG. 3; and,

FIG. 8 is a cross-sectional view taken along section 8-8 of FIG. 3.

The broken line representations of holes in FIGS. 1 and 3 are for the purpose of illustration only and form no part of the claimed design.

**1 Claim, 3 Drawing Sheets**



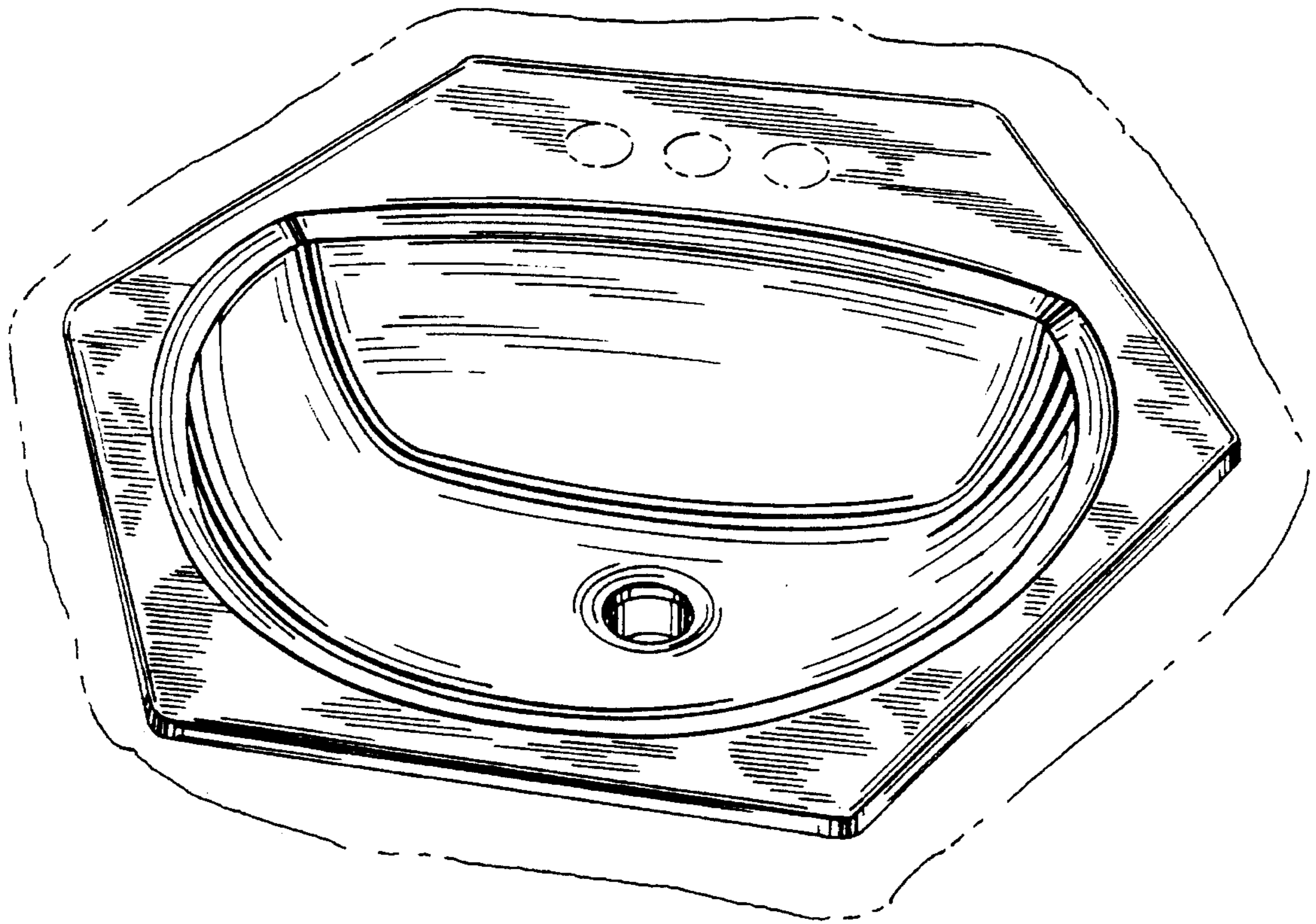


FIG. 1

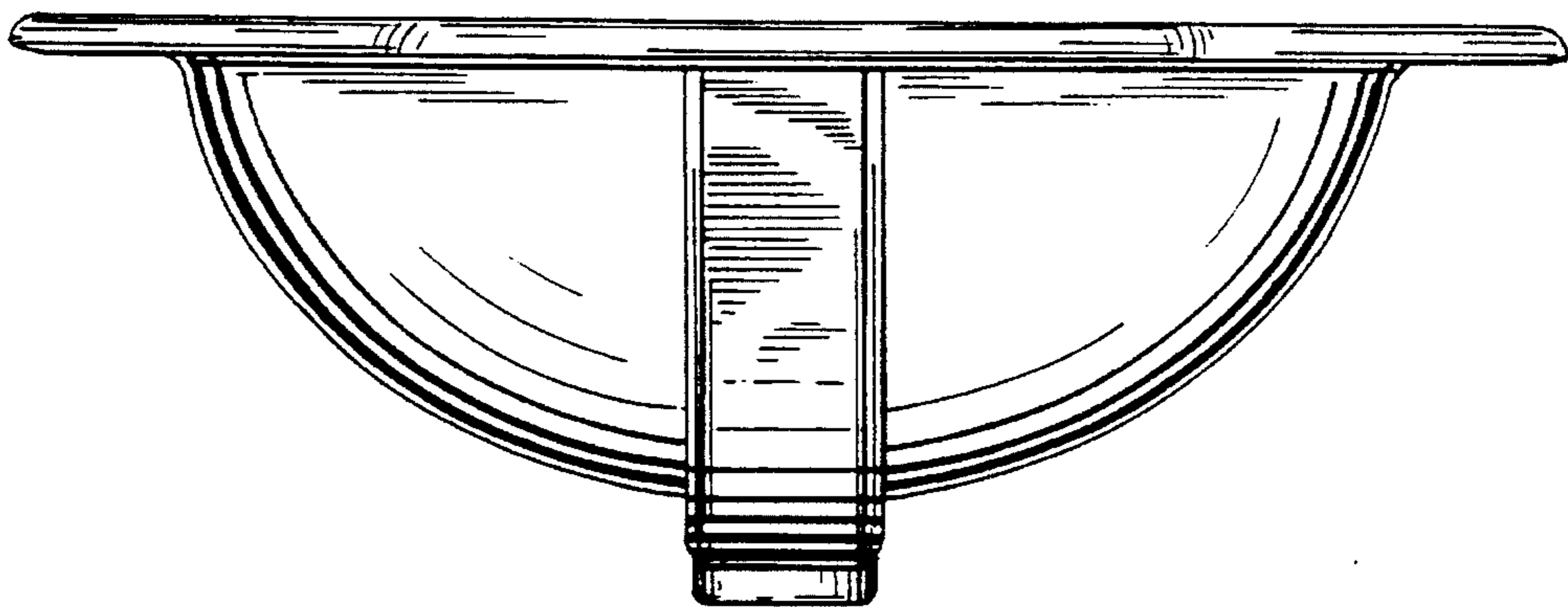
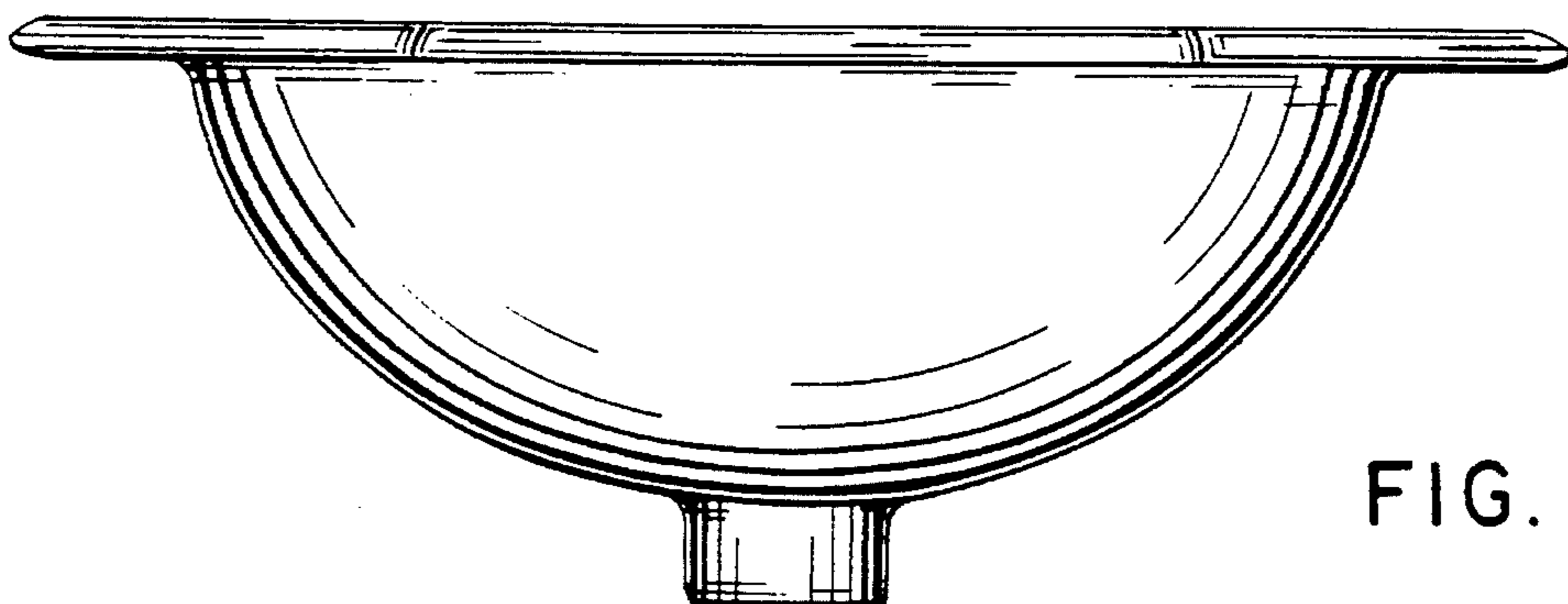
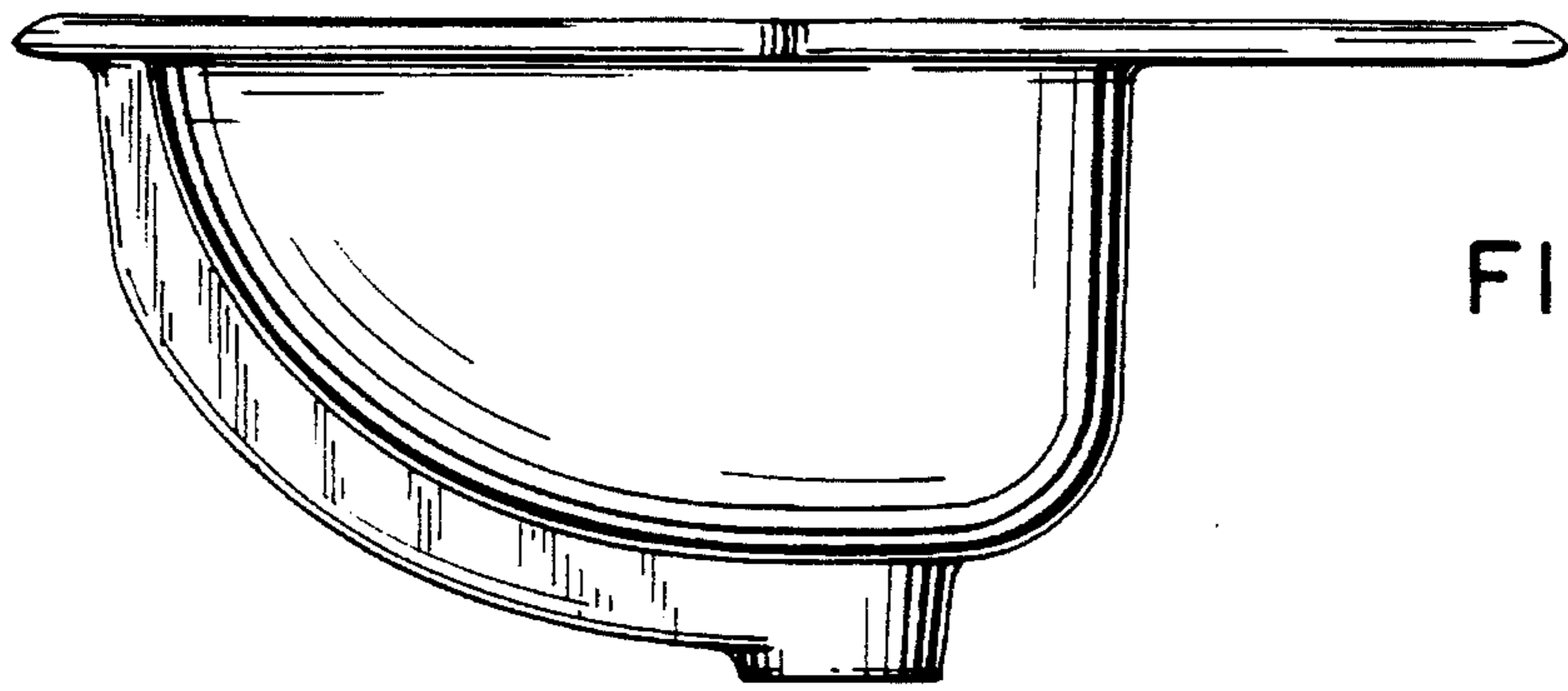
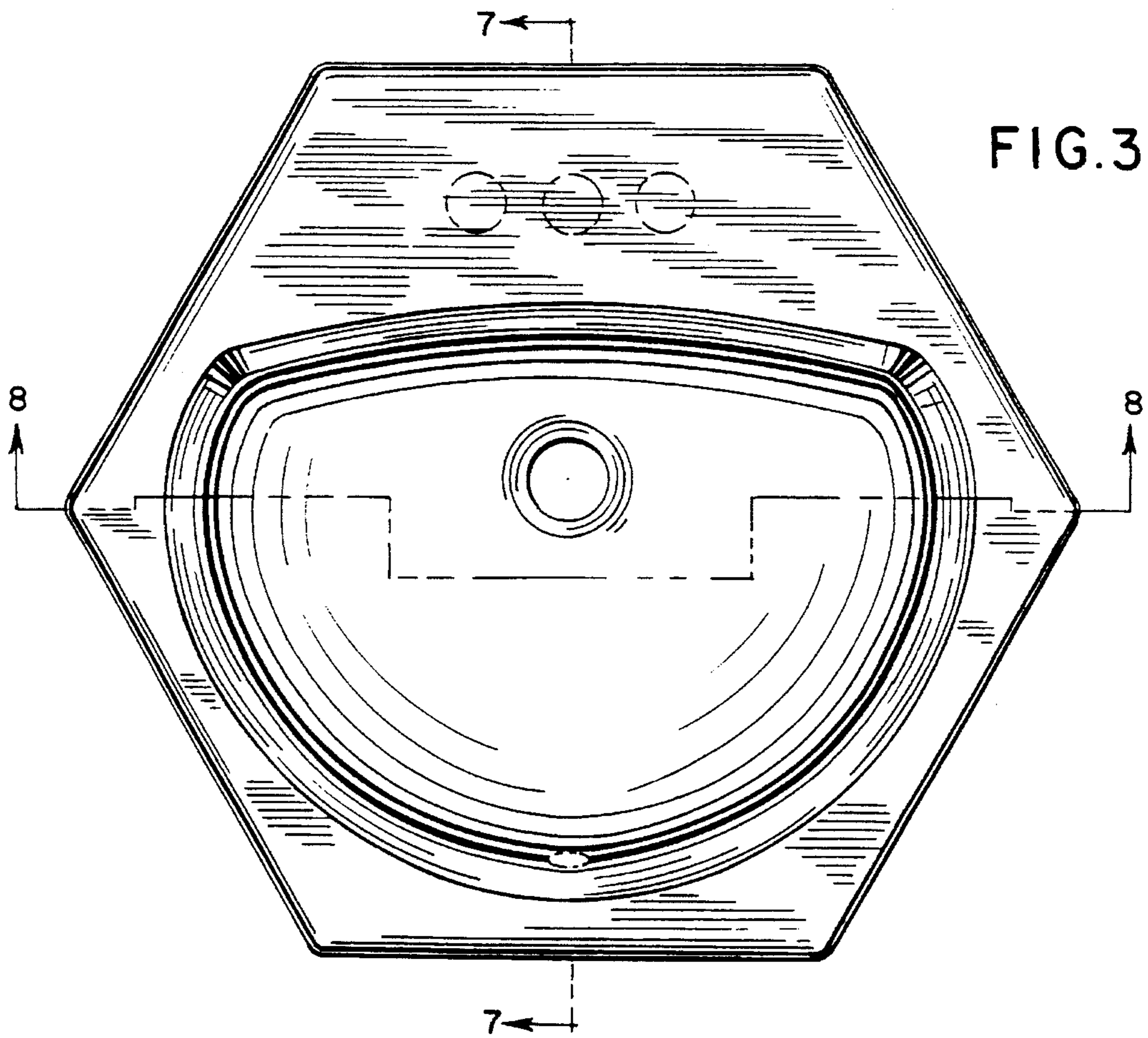


FIG. 2



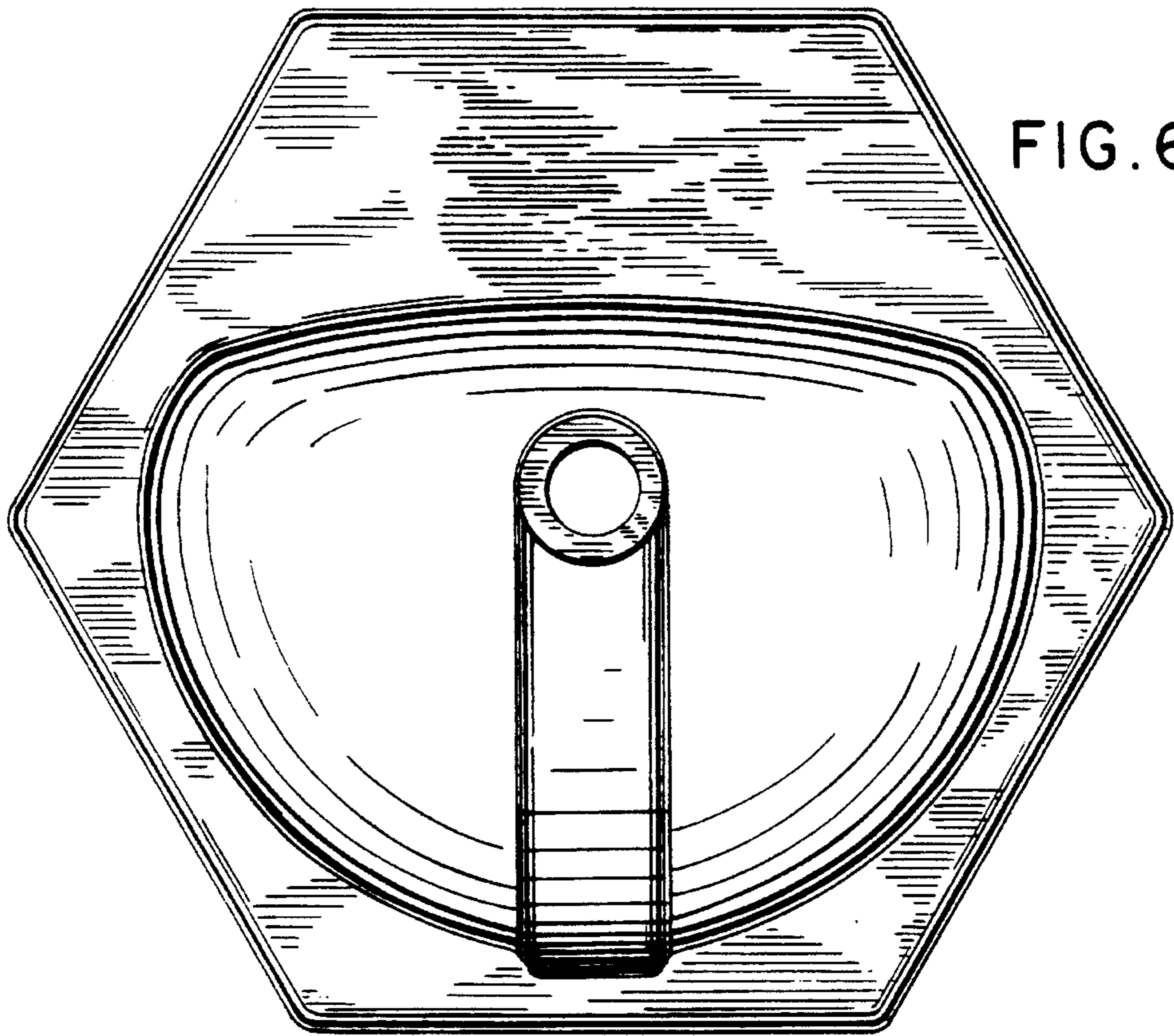


FIG. 6

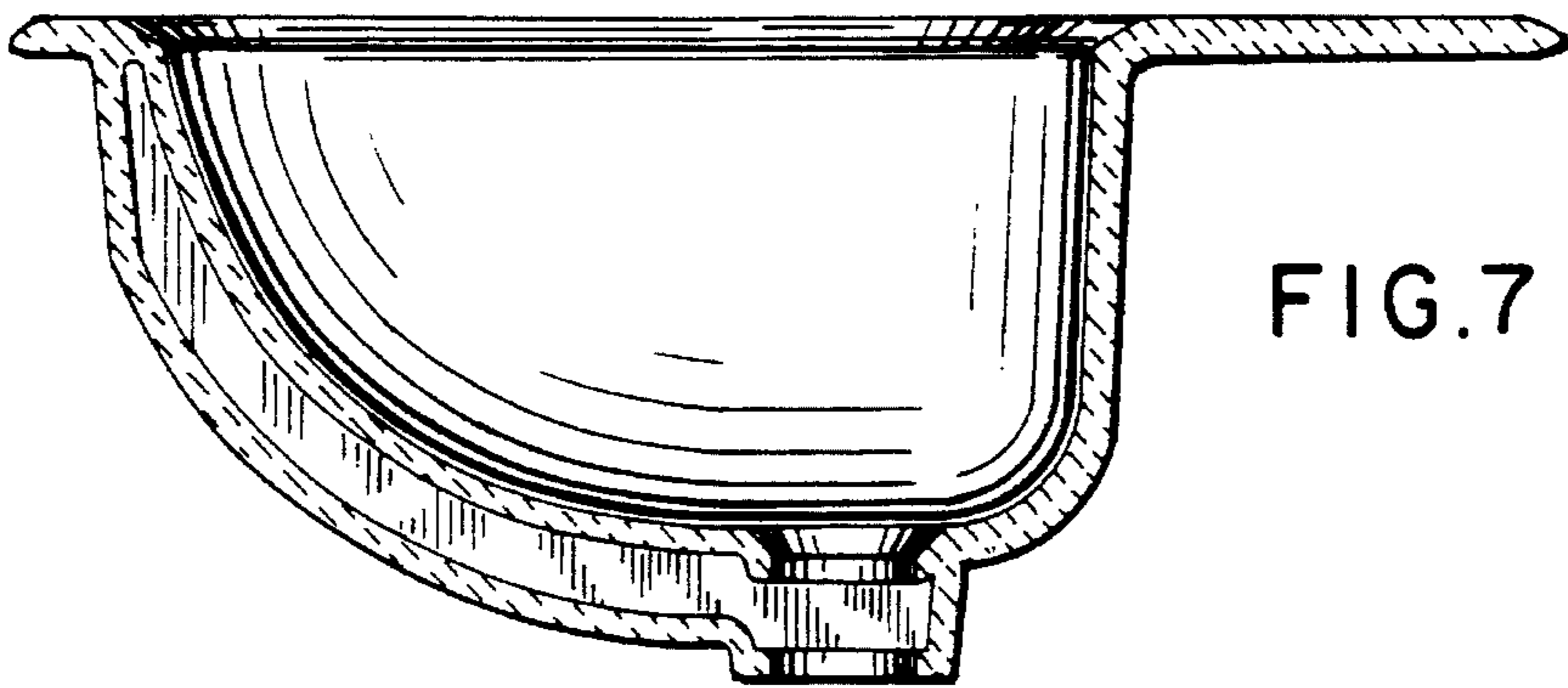


FIG. 7

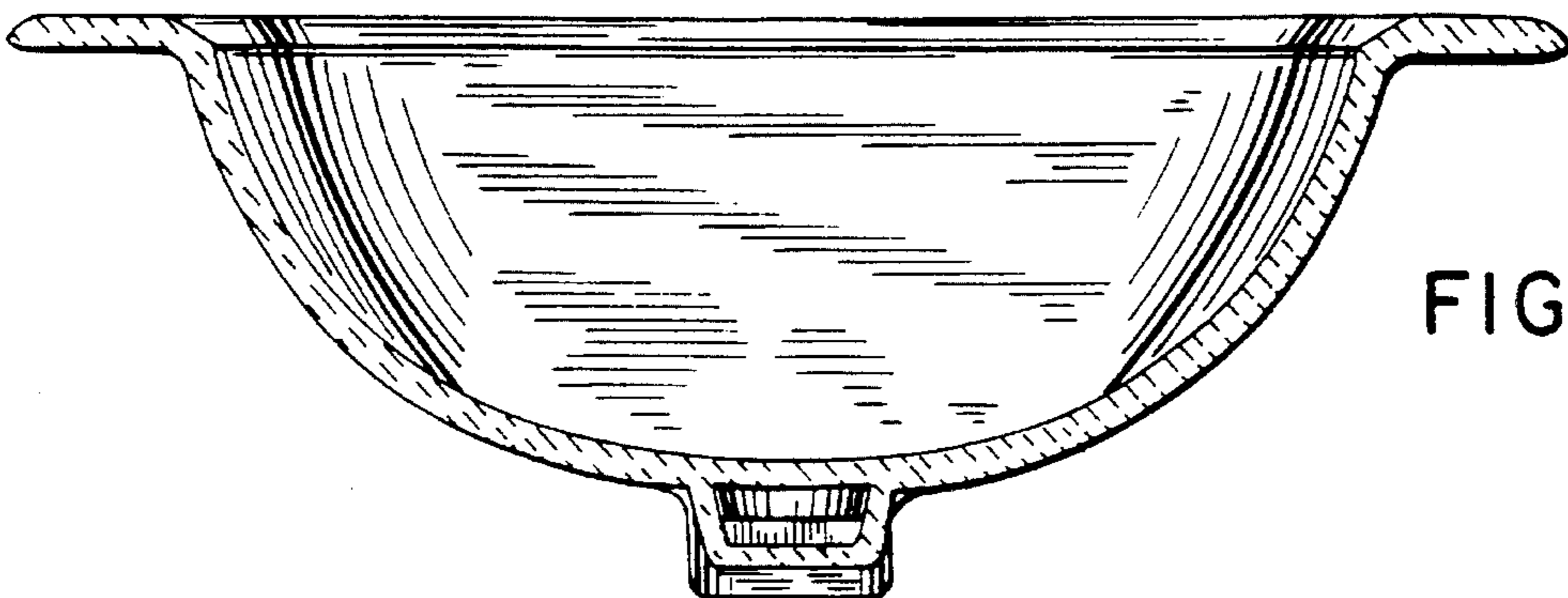


FIG. 8