



US00D369853S

United States Patent [19]
Wang

[11] **Patent Number: Des. 369,853**
[45] **Date of Patent: **May 14, 1996**

[54] **WATER SPRAY GUN** 5,348,228 9/1994 Wang 239/394

[75] Inventor: **Chin-Yuan Wang**, Changhua Hsien, Taiwan

Primary Examiner—A. Hugo Word
Assistant Examiner—Robin V. Taylor
Attorney, Agent, or Firm—Bacon & Thomas

[73] Assignee: **Yuan Mei Corp.**, Chanhua Hsien, Taiwan

[57] **CLAIM**

[**] Term: **14 Years**

The ornamental design for a water spray gun, as shown and described.

[21] Appl. No.: **37,959**

DESCRIPTION

[22] Filed: **Apr. 25, 1995**

[52] U.S. Cl. **D23/223; D23/226**

[58] **Field of Search** D23/213-224,
D23/228-230; 239/373, 394, 414-5, 525-528

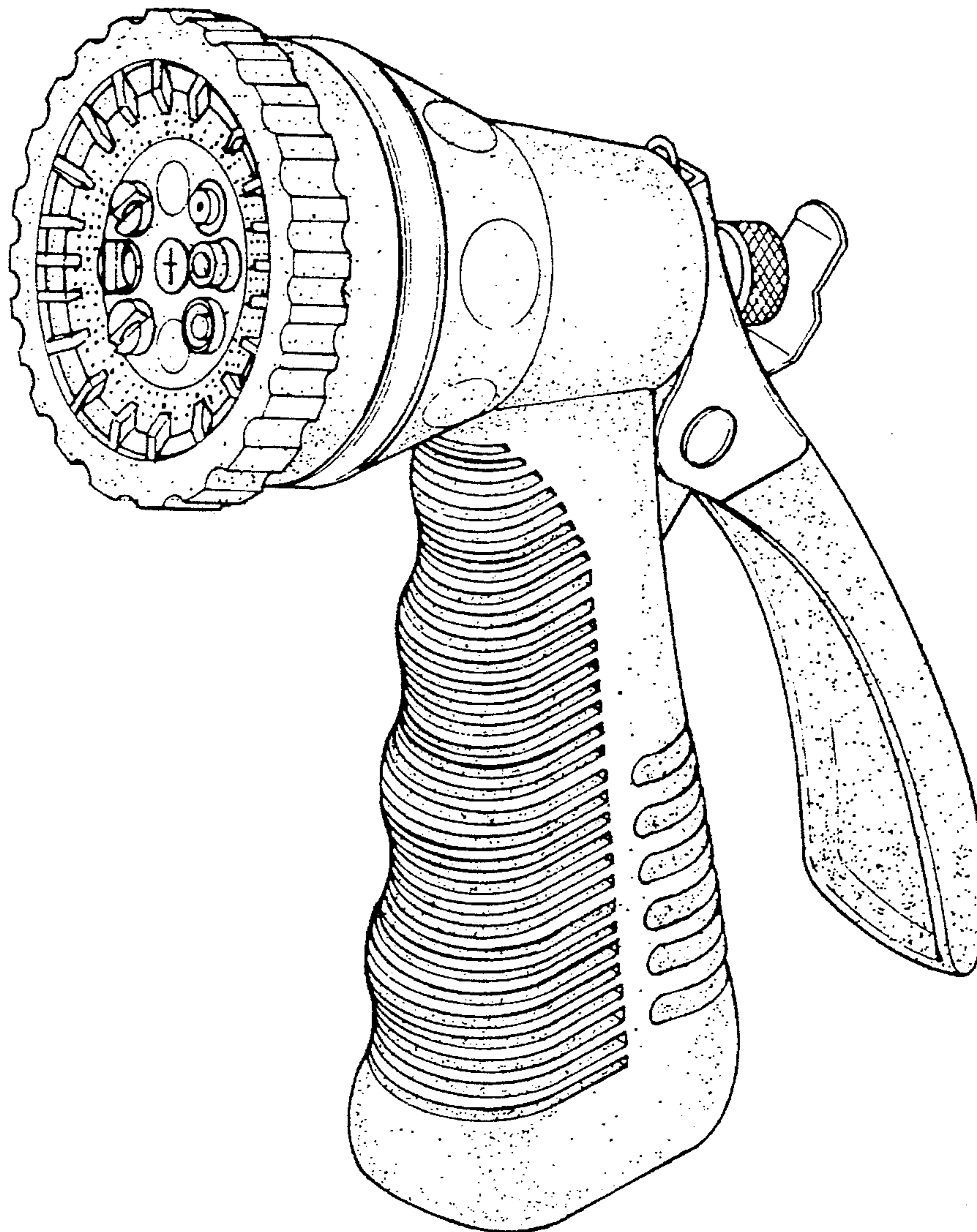
FIG. 1 is a perspective view of water spray gun showing my new design;
FIG. 2 is a front view thereof;
FIG. 3 is a back view thereof;
FIG. 4 is a left side view thereof;
FIG. 5 is a right side view thereof;
FIG. 6 is a top side view thereof; and,
FIG. 7 is a bottom side view thereof.

[56] **References Cited**

U.S. PATENT DOCUMENTS

- D. 314,609 2/1991 Liaw D23/226
- D. 356,144 3/1995 Wang D23/223
- D. 357,973 5/1995 McCain D23/223

1 Claim, 5 Drawing Sheets



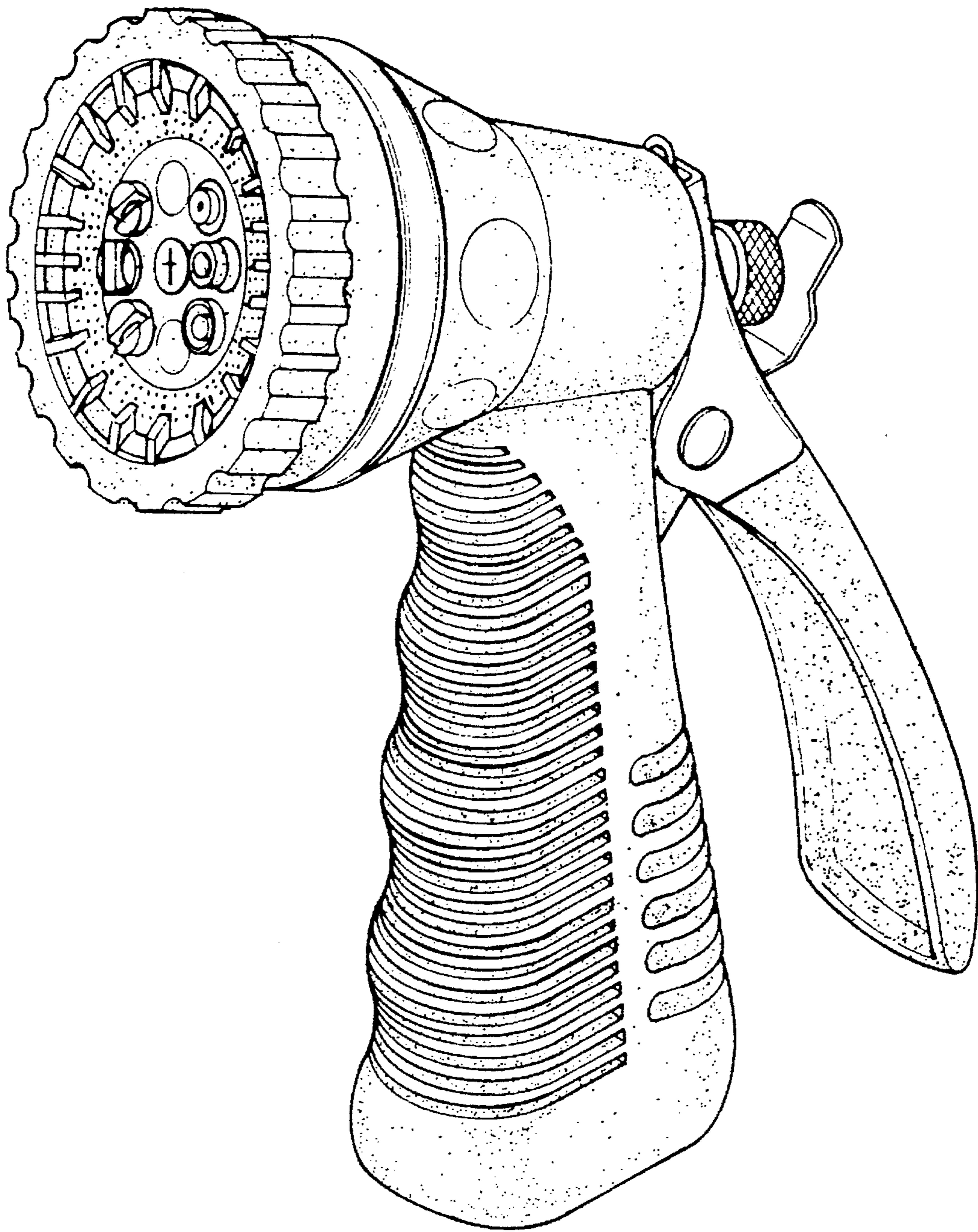


FIG. 1

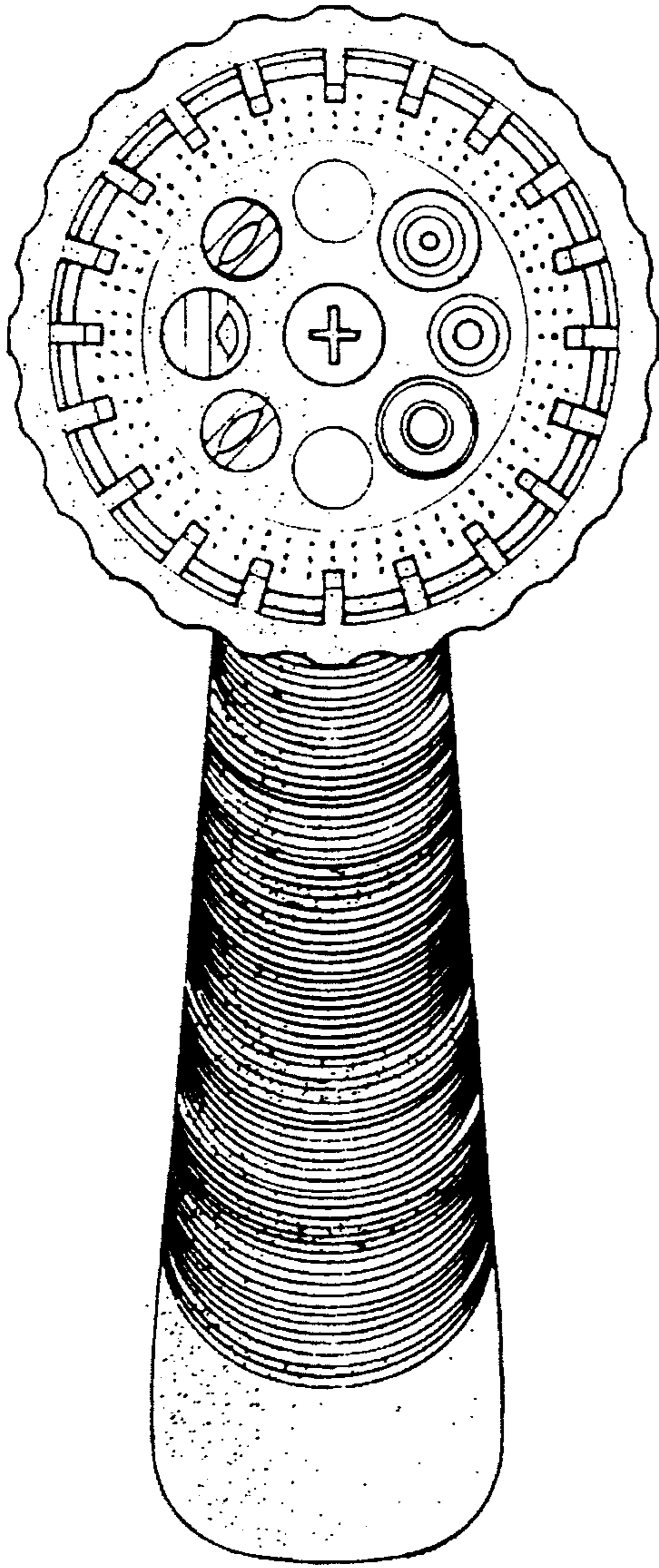


FIG 2

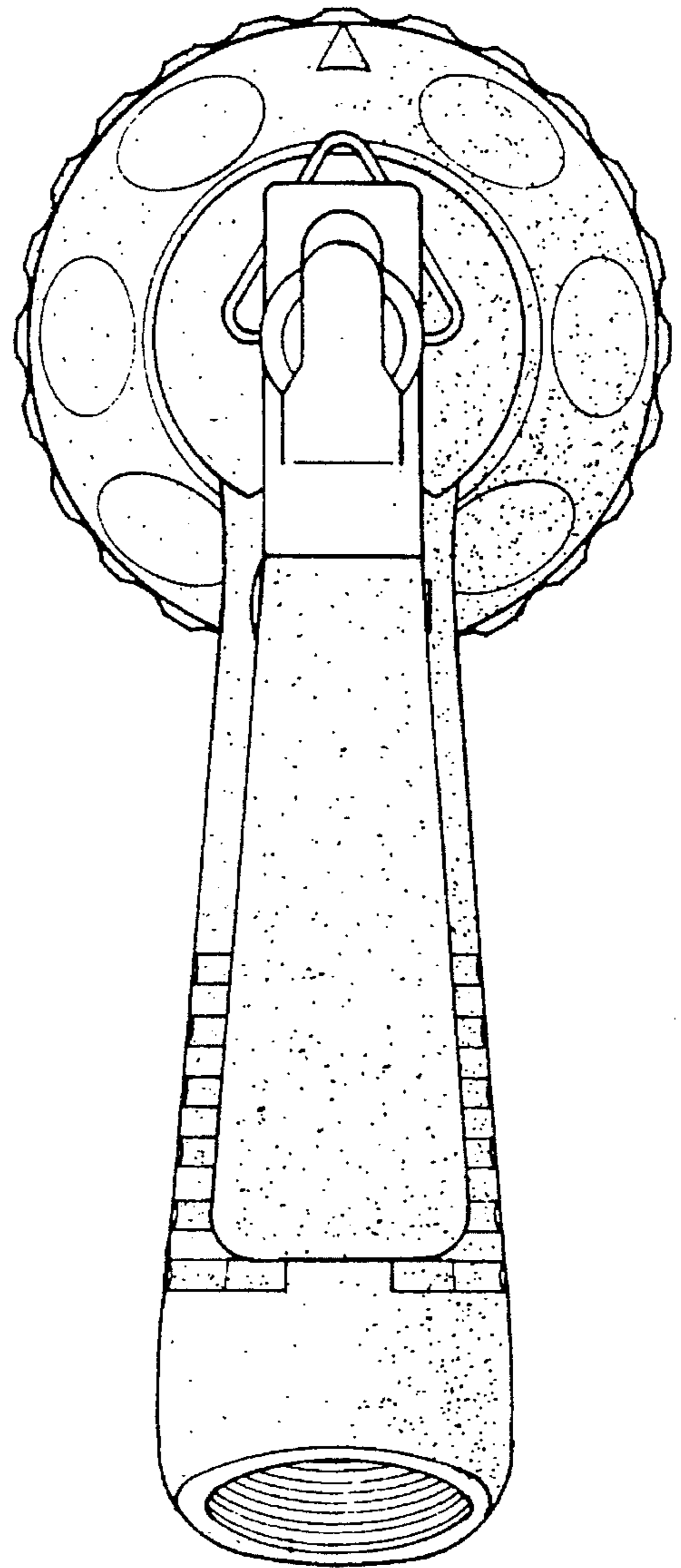


FIG.3

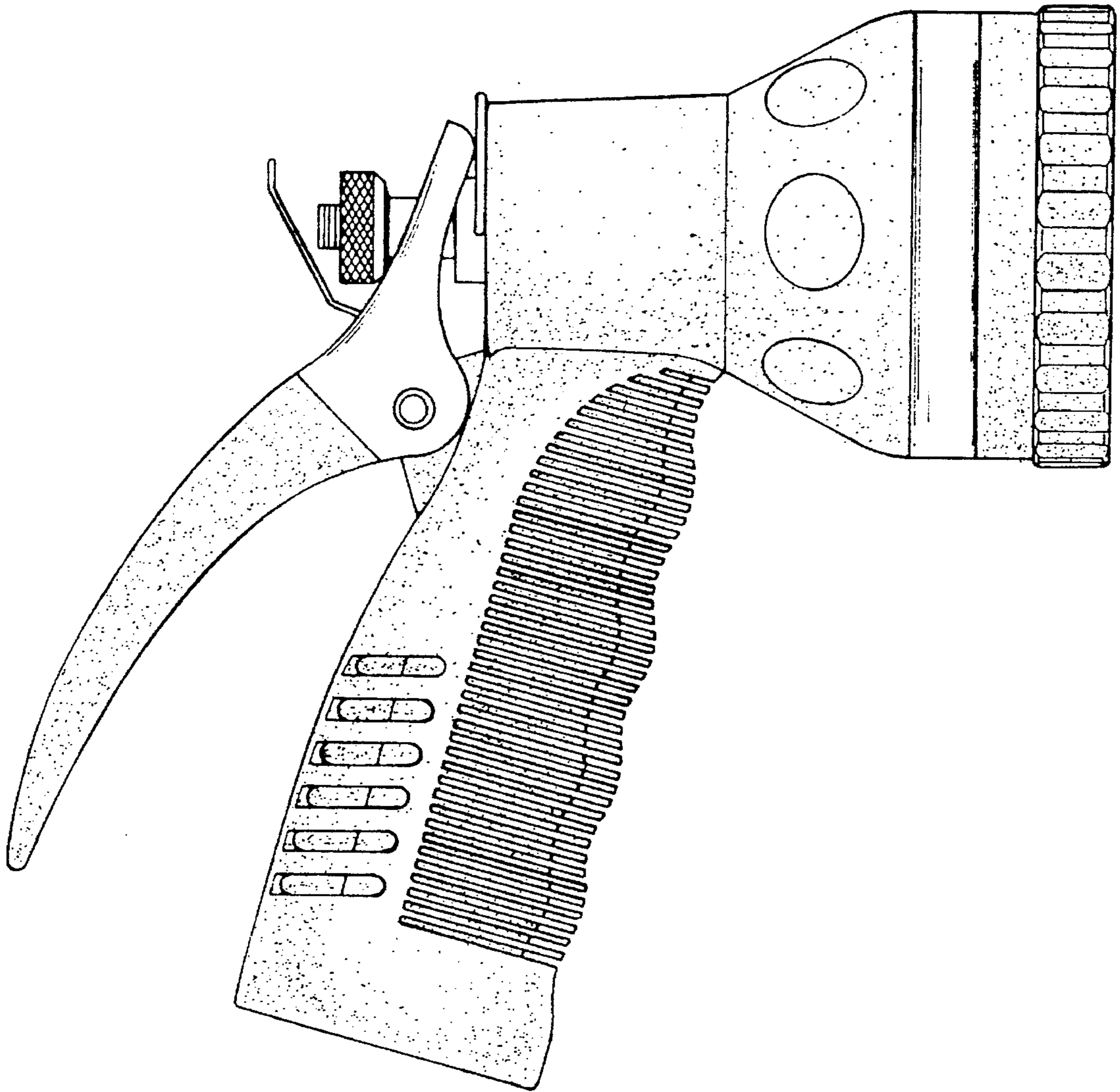


FIG. 4

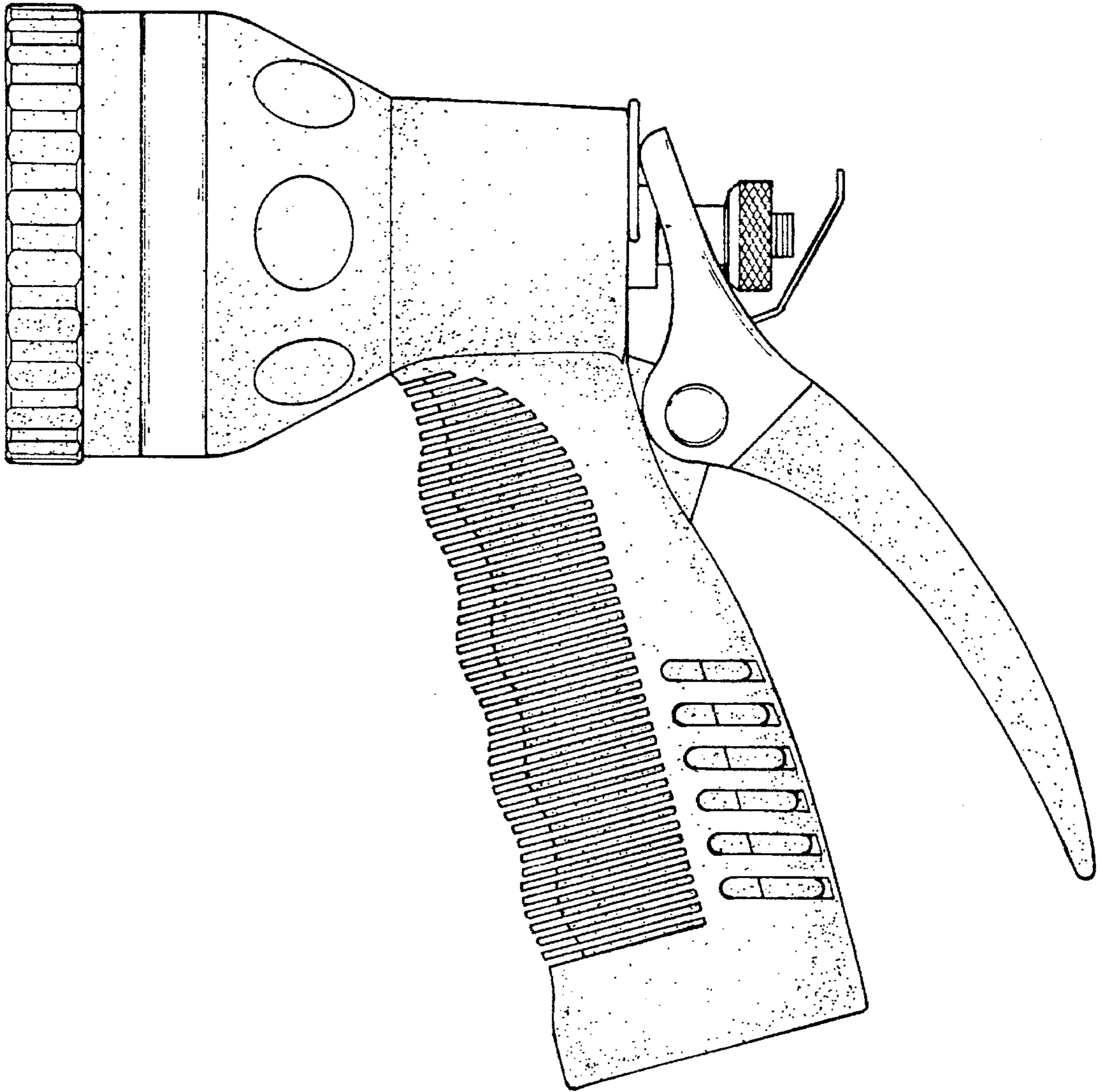


FIG. 5

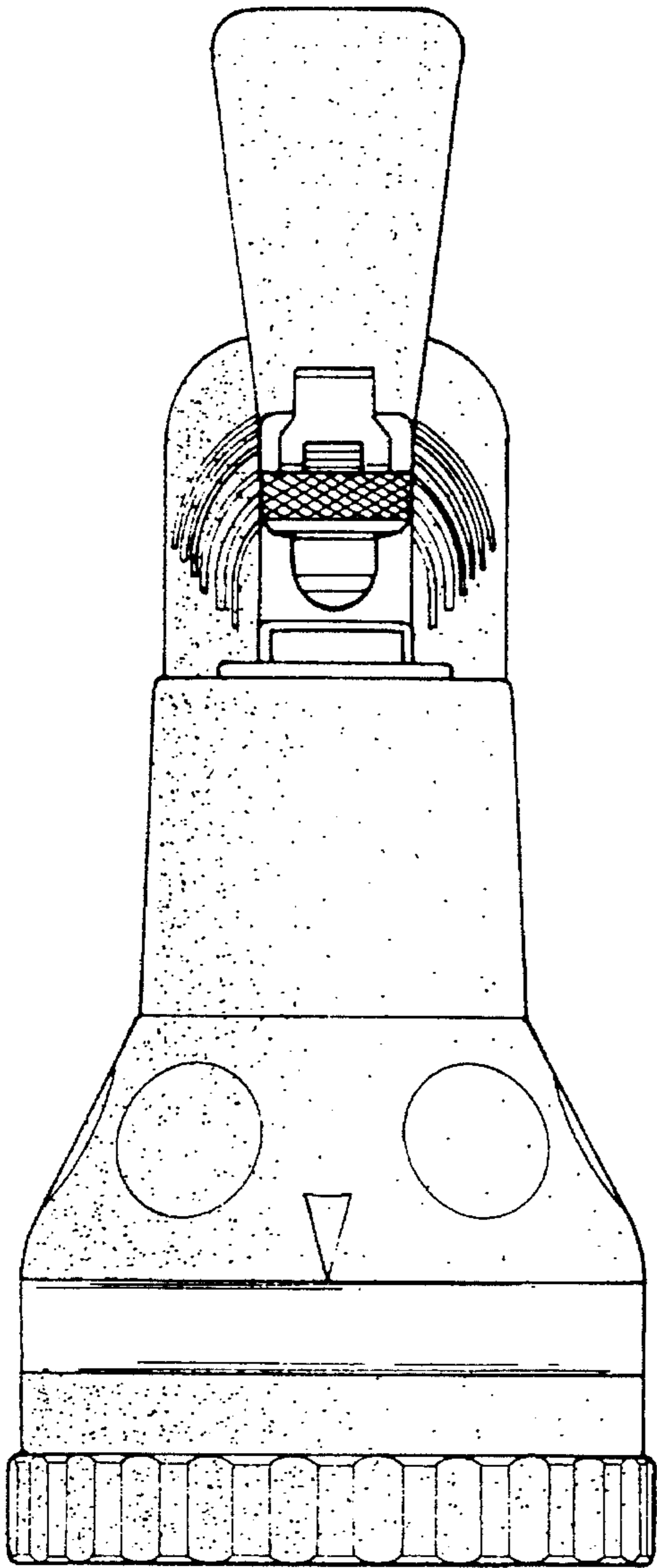


FIG. 6

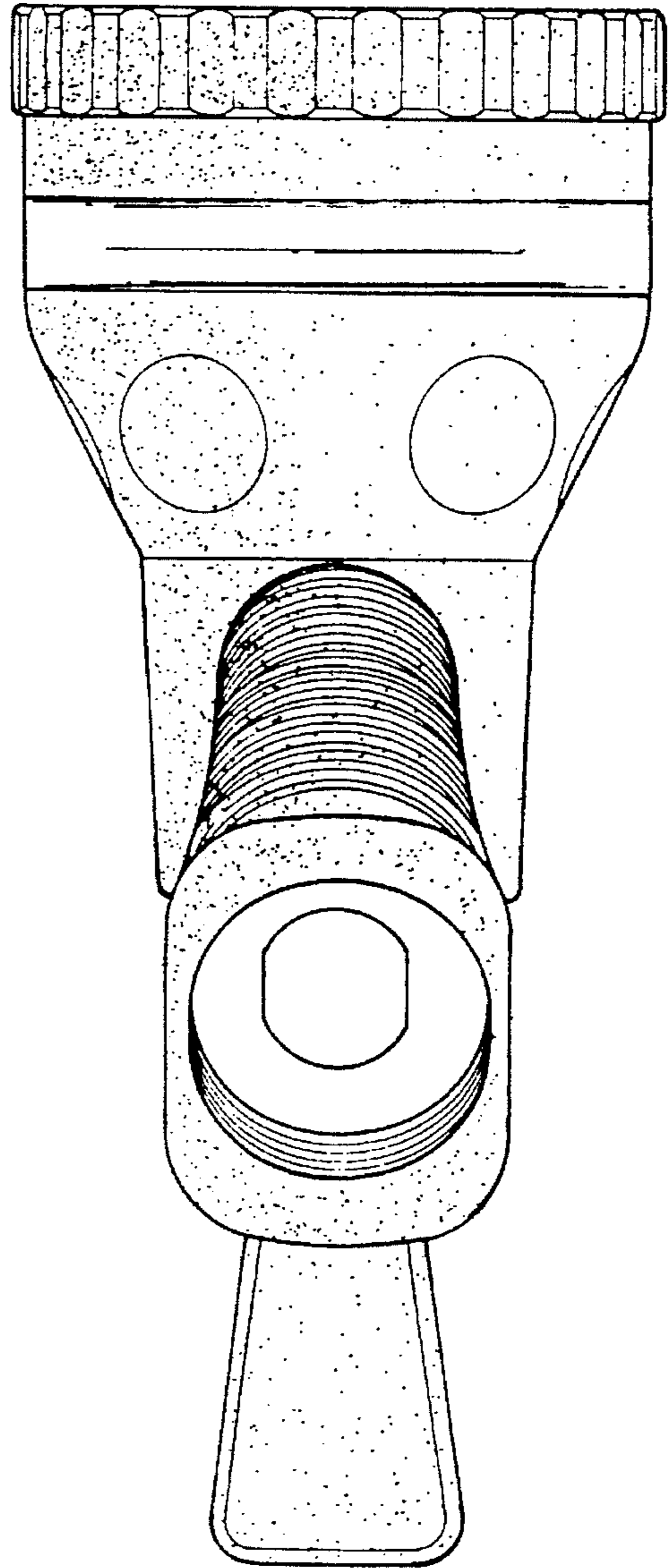


FIG. 7