



US00D369851S

**United States Patent** [19]  
**Huang**

[11] **Patent Number: Des. 369,851**

[45] **Date of Patent: \*\*May 14, 1996**

[54] **SHOWER HEAD**

|           |        |               |         |
|-----------|--------|---------------|---------|
| 2,975,980 | 3/1961 | Siebert ..... | 239/315 |
| 3,713,587 | 1/1973 | Carson .....  | 239/383 |
| 5,215,258 | 6/1993 | Jursich ..... | 239/394 |

[75] Inventor: **So-Mei Huang**, Taichung Hsien, Taiwan

[73] Assignee: **Chien Chuen Plastic Co., Ltd.**, Taichung Hsien, Taiwan

[\*\*] Term: **14 Years**

*Primary Examiner*—A. Hugo Word  
*Assistant Examiner*—Robin V. Taylor  
*Attorney, Agent, or Firm*—Browdy and Neimark

[21] Appl. No.: **37,004**

[22] Filed: **Apr. 3, 1995**

[52] U.S. Cl. .... **D23/213**

[58] **Field of Search** ..... D23/213-224,  
D23/228-230; 239/394, 373, 414-5, 525-8,  
380-3, 390-1

[57] **CLAIM**

The ornamental design for a shower head, as shown and described.

**DESCRIPTION**

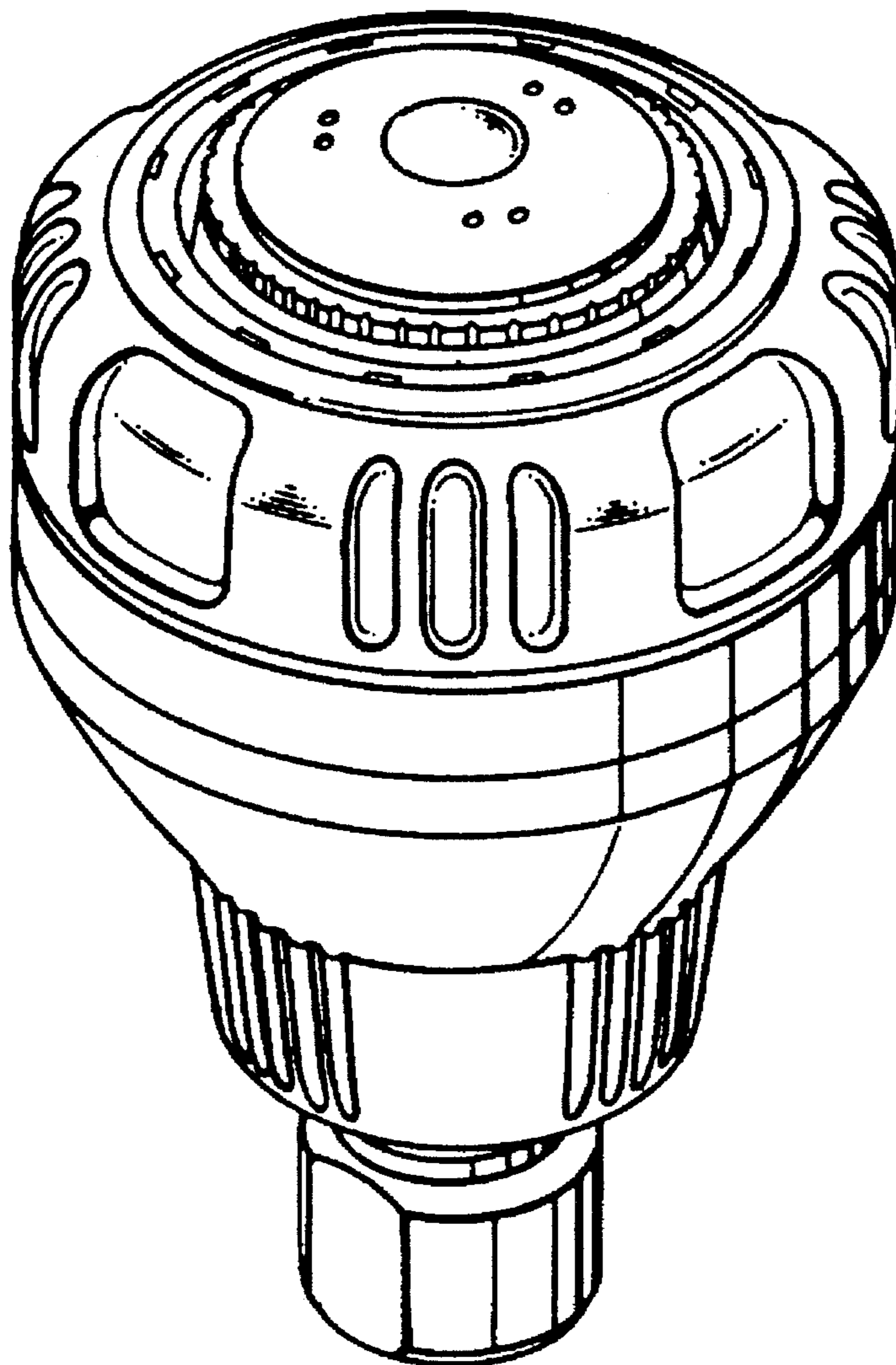
FIG. 1 is a perspective view of shower head showing my new design;  
FIG. 2 is a front view thereof, the rear being a mirror image;  
FIG. 3 is a side view thereof, the other side being a mirror image;  
FIG. 4 is a bottom side view thereof; and,  
FIG. 5 is a top side view thereof.

[56] **References Cited**

**U.S. PATENT DOCUMENTS**

|            |        |               |         |
|------------|--------|---------------|---------|
| D. 313,456 | 1/1991 | Presman ..... | D23/213 |
| D. 323,545 | 1/1992 | Ward .....    | D23/213 |

**1 Claim, 2 Drawing Sheets**



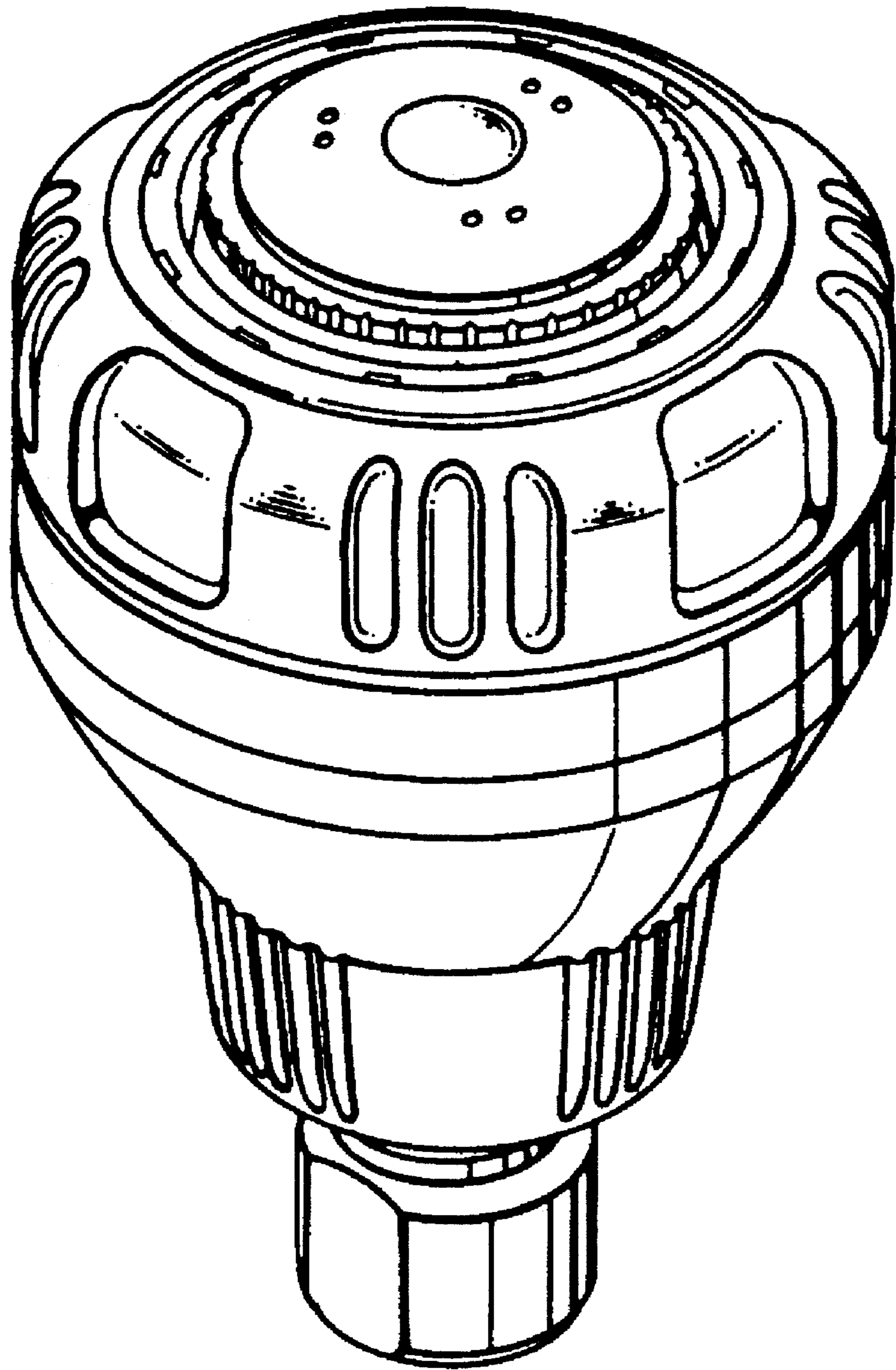


FIG. 1

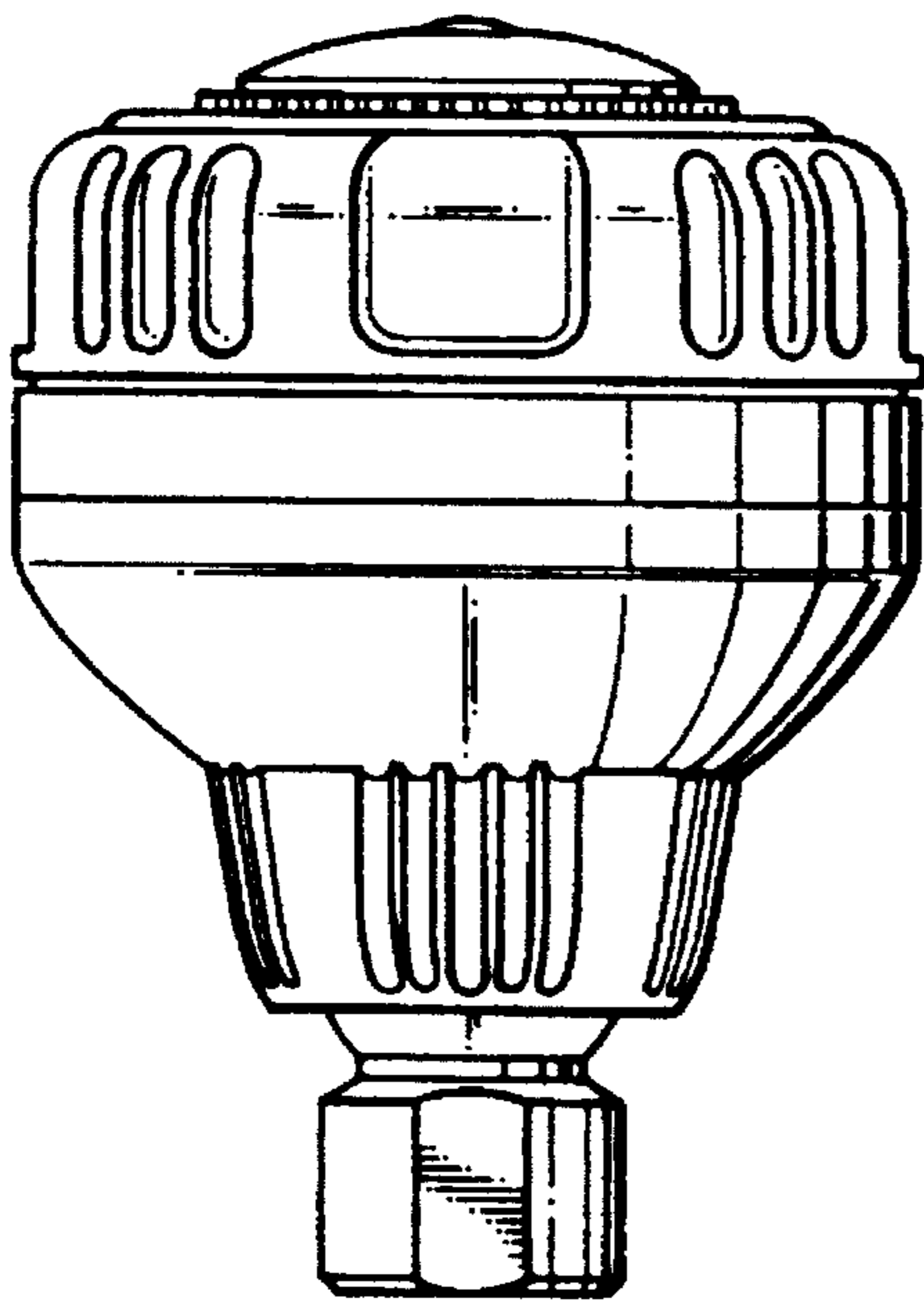


FIG. 2

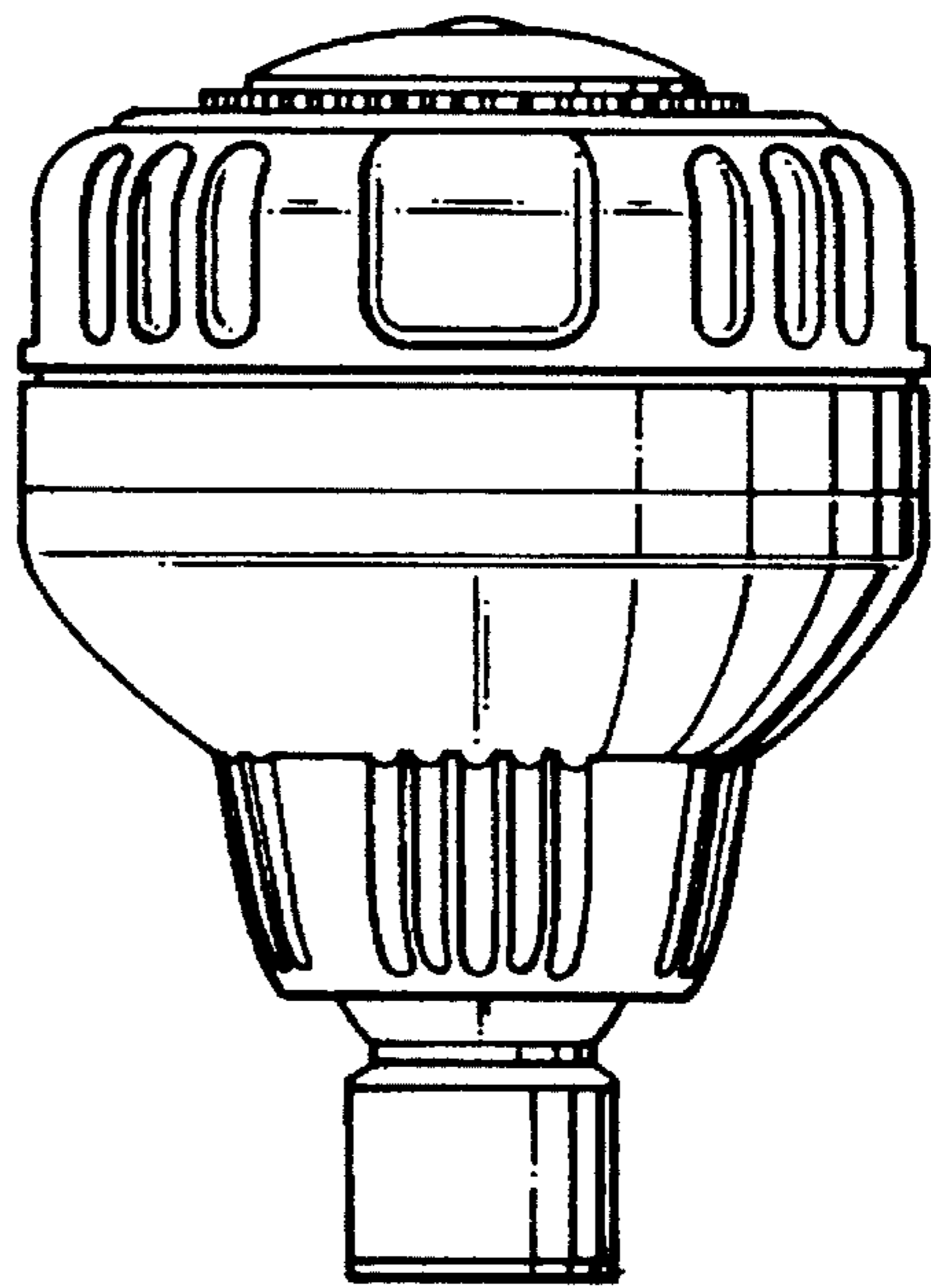


FIG. 3

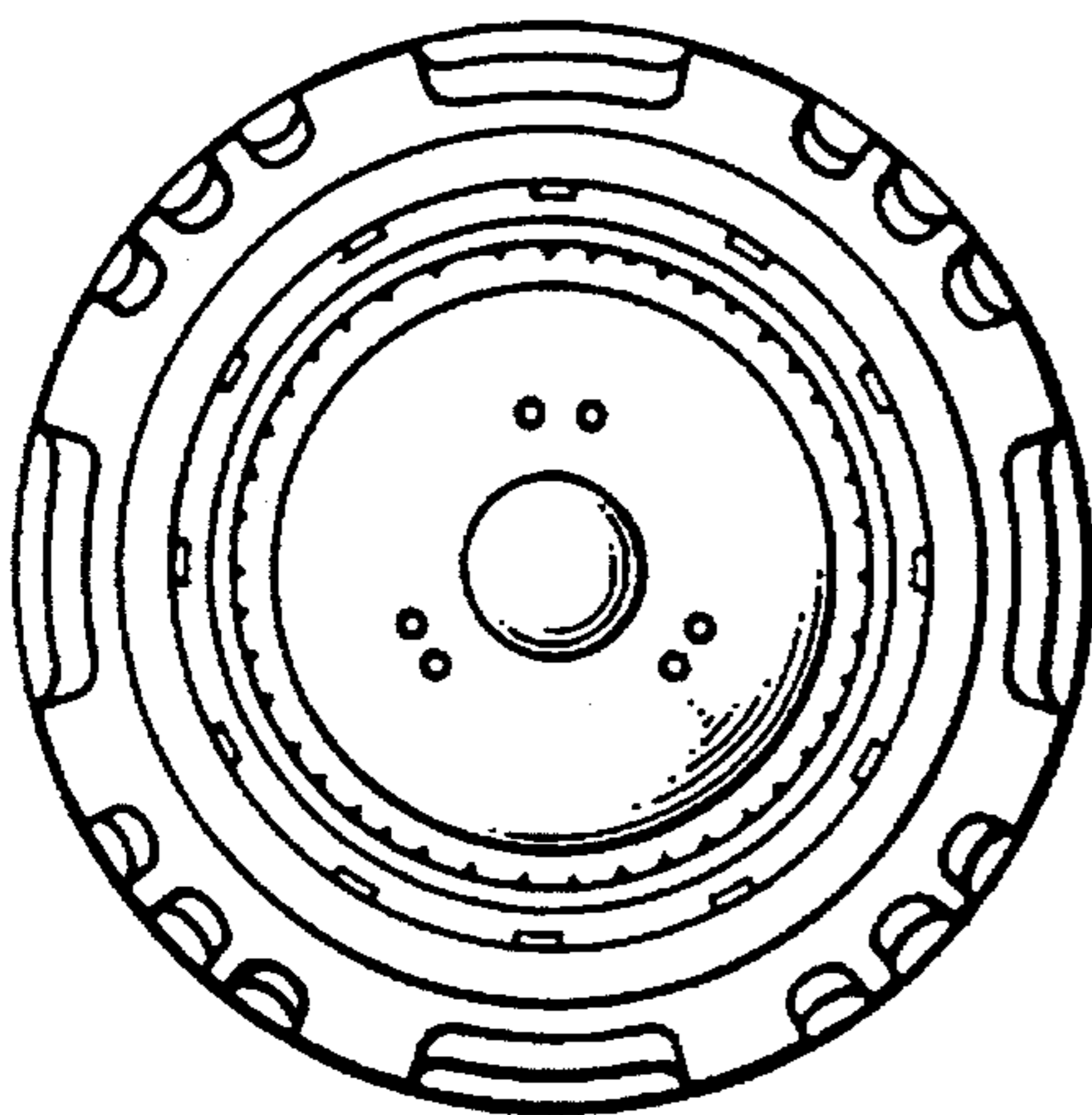


FIG. 4

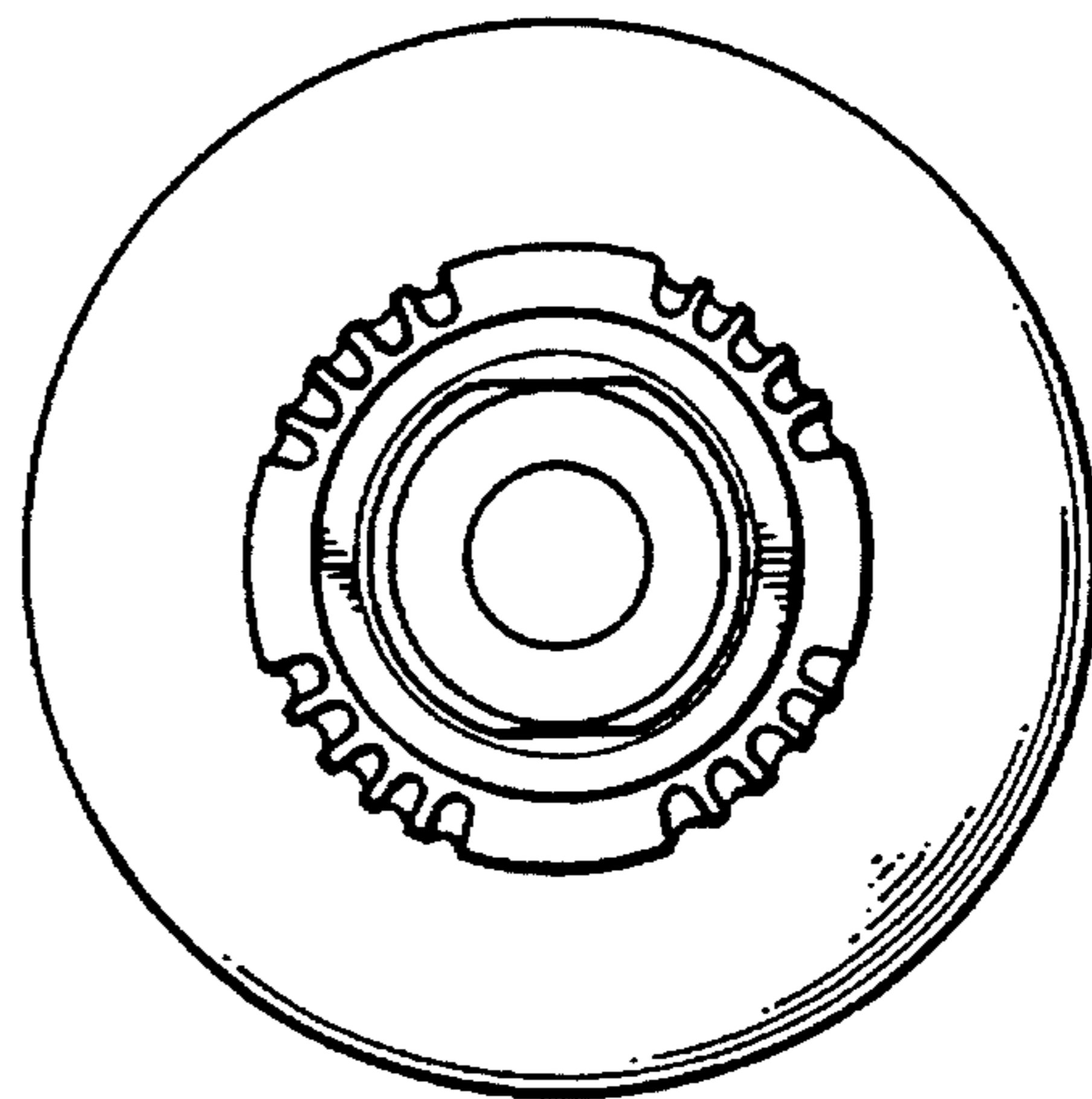


FIG. 5