



US00D369850S

# United States Patent [19]

Cammack et al.

[11] Patent Number: **Des. 369,850**

[45] Date of Patent: **\*\*May 14, 1996**

[54] **FILTER FUNNEL BASE**

[75] Inventors: **Michael A. Cammack; James M. Jennings**, both of Fort Collins, Colo.

[73] Assignee: **Teledyne Industries, Inc.**, Fort Collins, Colo.

[\*\*] Term: **14 Years**

[21] Appl. No.: **34,403**

[22] Filed: **Feb. 3, 1995**

[52] U.S. Cl. .... **D23/209; D7/700**

[58] Field of Search ..... **D23/200-209, D23/499; D9/434-435, 447, 499, 439-440; D7/667, 700, 310, 590, 400; D15/150-152, 199; 141/331-345, 297-299, 300; 222/460-462; 210/445-446, 282, 455, 287, 470-472, 473-476**

4,419,235 12/1983 Sway ..... 210/282  
 4,436,623 3/1984 Cullen et al. .... 210/282  
 4,483,769 11/1984 Sherman ..... 210/282  
 4,605,499 8/1986 Wise ..... 210/282  
 4,606,823 8/1986 Lucas, III ..... 210/282  
 4,659,467 4/1987 Spearman ..... 210/282  
 4,711,718 12/1987 Nelson, Jr. .... 210/282  
 4,749,481 6/1988 Wheatley ..... 210/282  
 4,753,728 6/1988 VanderBilt et al. .... 210/282  
 4,769,144 9/1988 Nohren, Jr. .... 210/282  
 4,773,997 9/1988 Butte ..... 210/282  
 4,776,956 10/1988 Gannaway ..... 210/282  
 4,814,078 3/1989 Stern et al. .... 210/282  
 4,882,052 11/1989 Peranio ..... 210/282  
 4,969,996 11/1990 Hankammer ..... 210/282  
 5,076,922 12/1991 DeAre ..... 210/282  
 5,102,543 4/1992 Burroughs ..... 210/282  
 5,122,270 6/1992 Ruger et al. .... 210/282  
 5,215,659 6/1993 Ando ..... 210/282  
 5,252,206 10/1993 Gonzalez ..... 210/282  
 5,269,922 12/1993 Lin ..... 210/282

## [56] References Cited

### U.S. PATENT DOCUMENTS

D. 263,078 2/1982 Eddleman et al. .... D23/209 X  
 D. 321,745 11/1991 Murrell ..... D23/209  
 3,746,174 7/1973 Watanabe ..... 210/282  
 3,747,767 7/1973 Hankammer ..... 210/282  
 3,785,497 1/1974 Giffard ..... 210/282  
 3,799,352 3/1974 McClive ..... 210/282  
 3,879,292 4/1975 McClive ..... 210/282  
 3,950,253 4/1976 Stern ..... 210/282  
 4,061,573 12/1977 Biron ..... 210/282  
 4,065,392 12/1977 Gammon ..... 210/282  
 4,107,046 8/1978 Corder ..... 210/282  
 4,214,993 7/1980 Forsythe et al. .... 210/282  
 4,283,283 8/1981 Zimmerman ..... 210/282  
 4,306,971 12/1981 Hankammer ..... 210/282  
 4,378,293 3/1983 Duke ..... 210/282

*Primary Examiner*—Alan P. Douglas  
*Assistant Examiner*—Stacia Sinuik  
*Attorney, Agent, or Firm*—Lee R. Osman; Holland & Hart

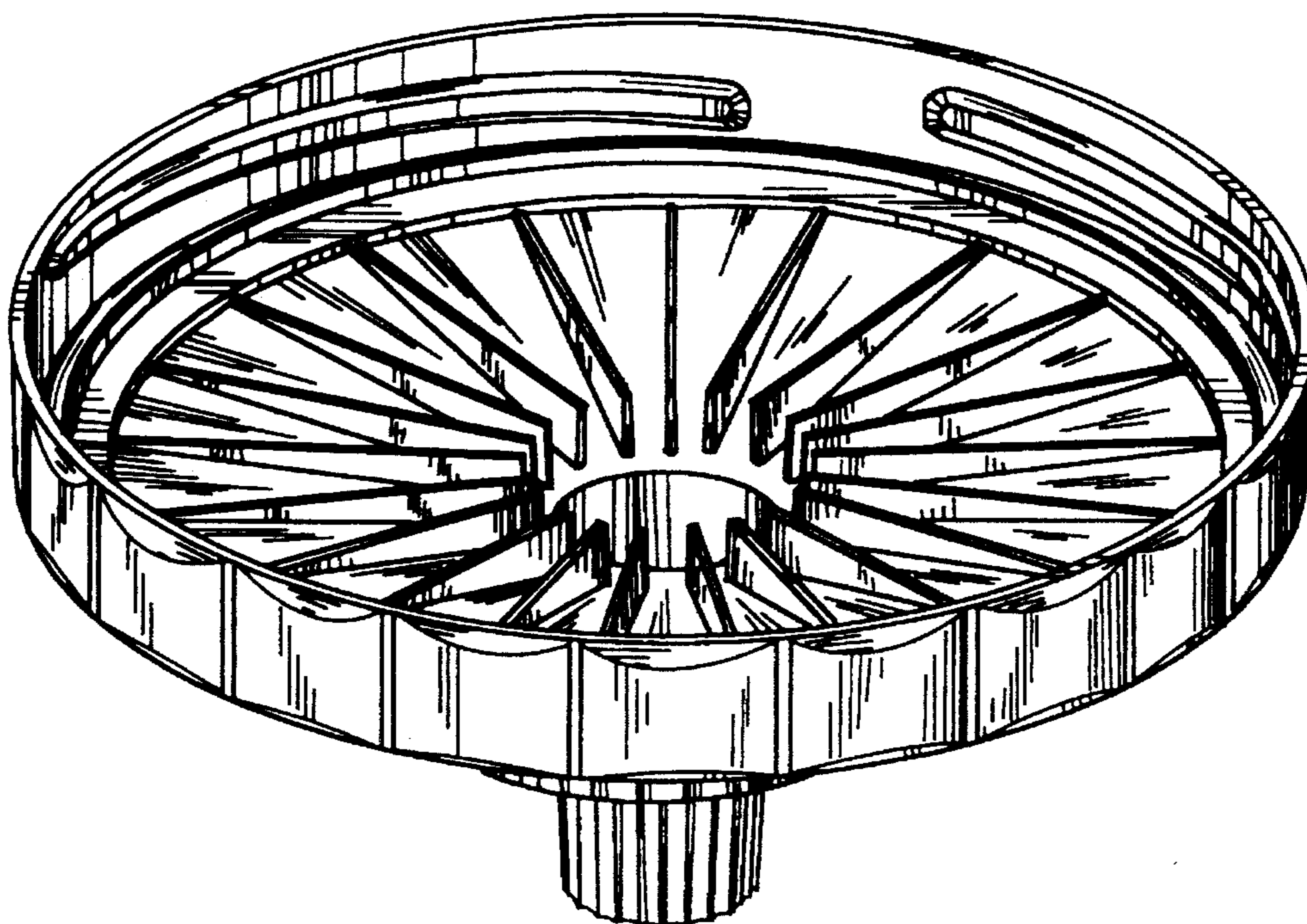
## [57] CLAIM

The ornamental design for a filter funnel base, as shown and described.

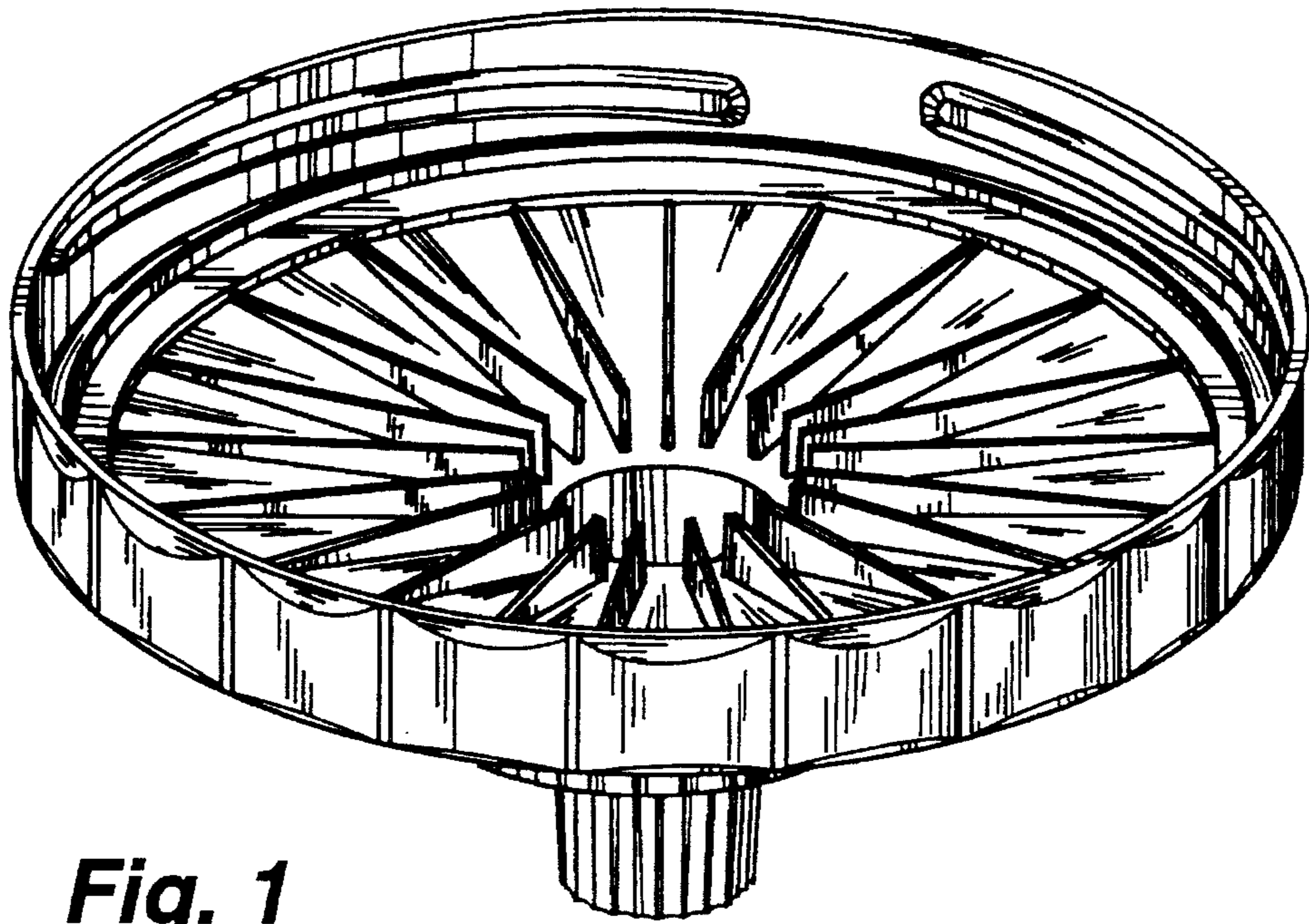
## DESCRIPTION

FIG. 1 is a perspective view of a filter funnel base embodying our new design;  
 FIG. 2 is a top plan view thereof;  
 FIG. 3 is a side elevational view thereof; the opposite side view being a mirror image thereof; and,  
 FIG. 4 is a bottom plan view thereof.

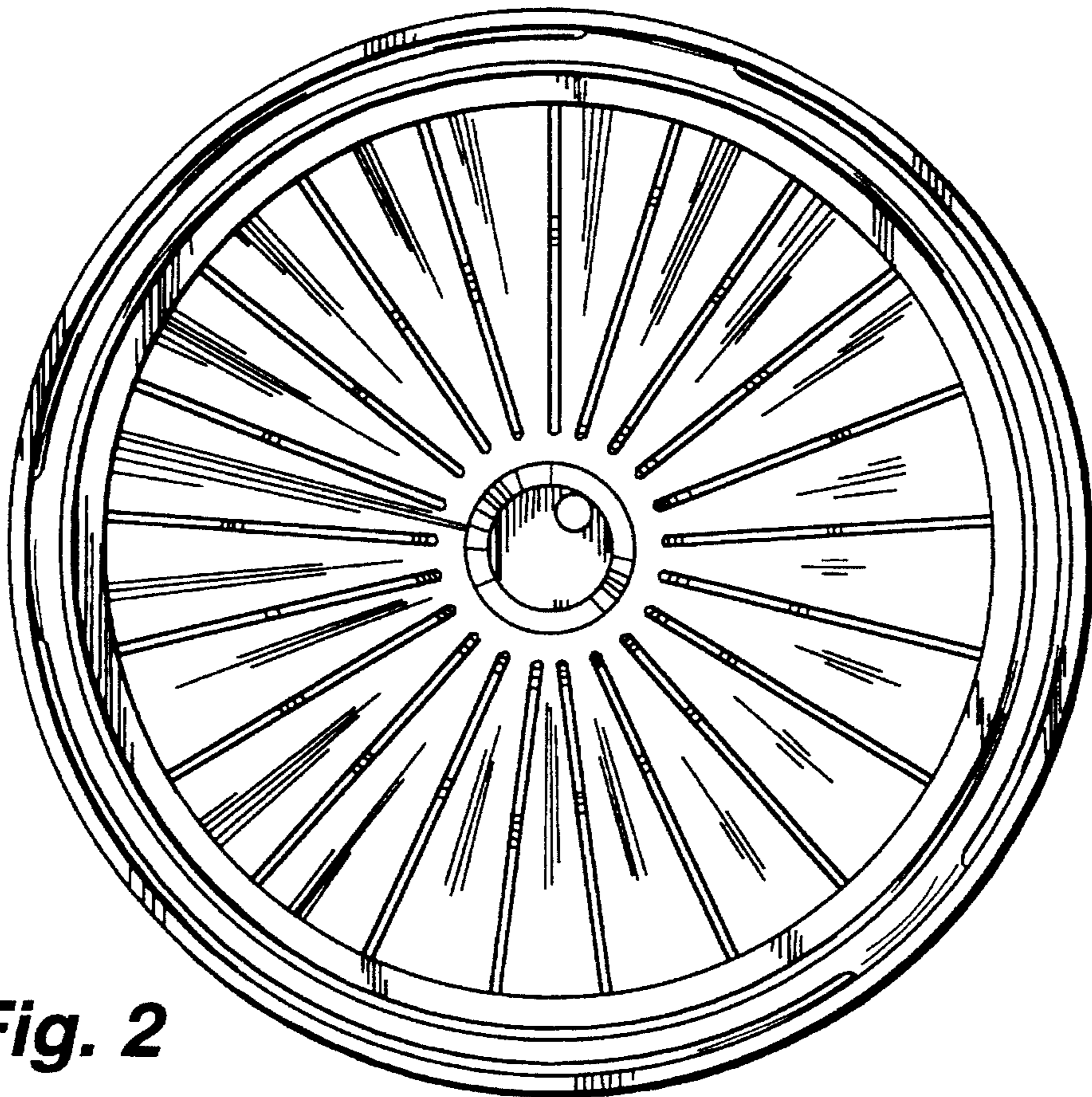
1 Claim, 2 Drawing Sheets



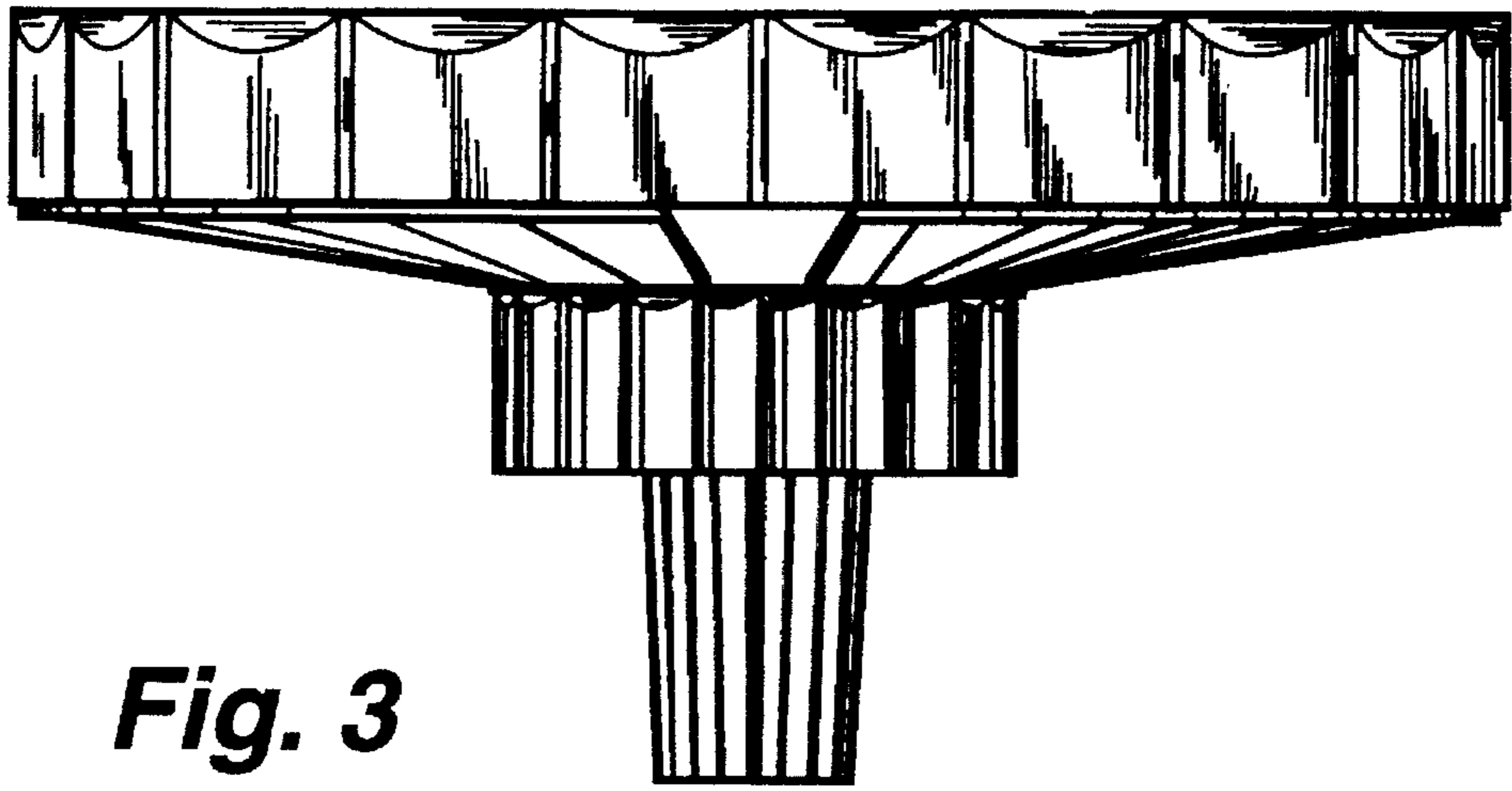




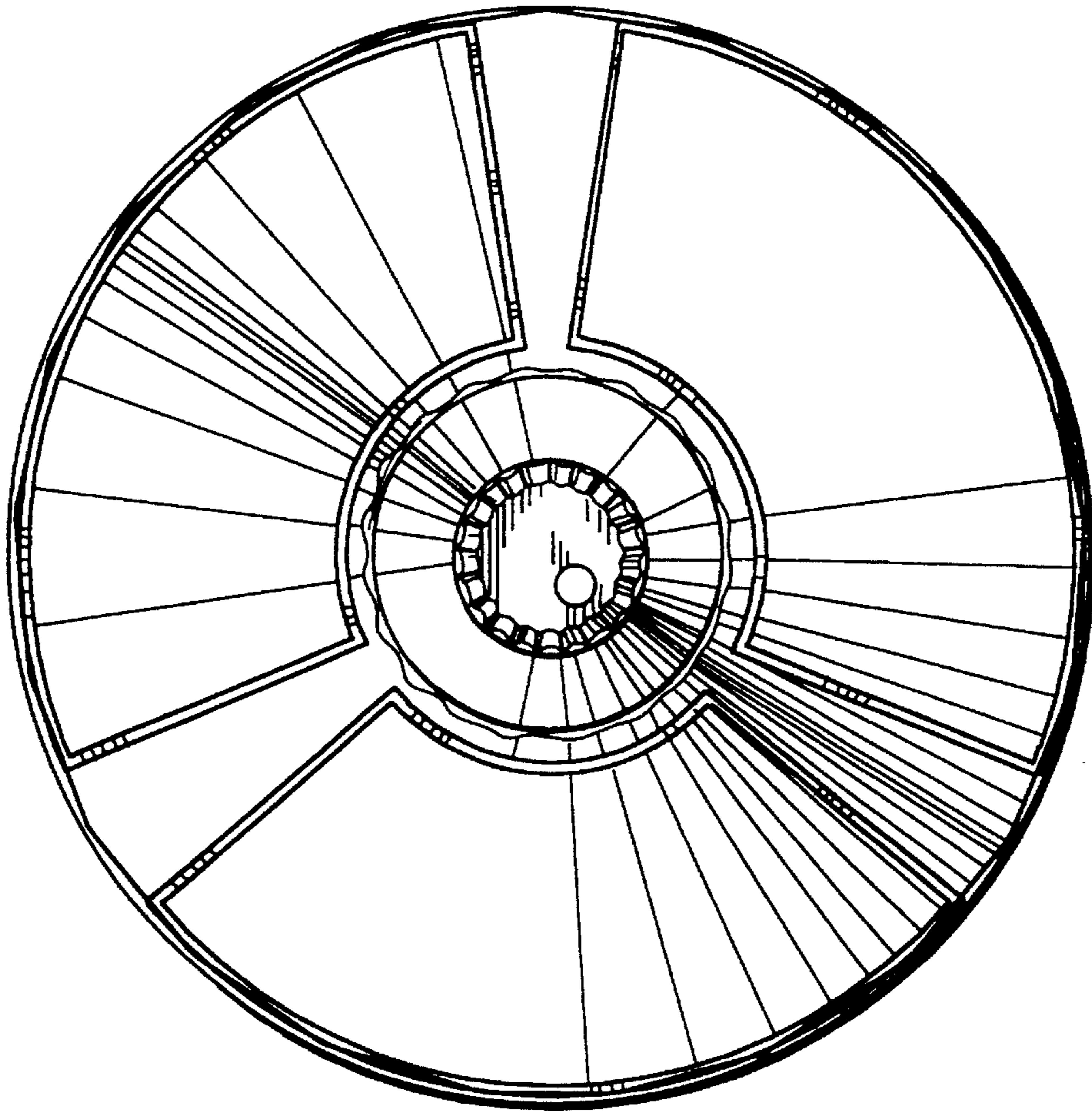
**Fig. 1**



**Fig. 2**



**Fig. 3**



**Fig. 4**