



US00D369849S

United States Patent [19]

[11] Patent Number: **Des. 369,849**

Kaneko et al.

[45] Date of Patent: ****May 14, 1996**

[54] LINE ROLLER FOR A SPINNING FISHING REEL

[75] Inventors: **Kyoichi Kaneko; Eiji Shinohara**, both of Higashikurume, Japan

[73] Assignee: **Daiwa Seiko, Inc.**, Higashikurume, Japan

[**] Term: **14 Years**

[21] Appl. No.: **32,184**

[22] Filed: **Dec. 14, 1994**

[30] Foreign Application Priority Data

Jun. 15, 1994	[JP]	Japan	6-17597
Nov. 18, 1994	[JP]	Japan	6-35306

[52] U.S. Cl. **D22/141**

[58] Field of Search D22/140, 141, D22/137, 138; 242/230-233, 615.2, 157 R

[56] References Cited

U.S. PATENT DOCUMENTS

4,562,976	1/1986	Ban	242/231
4,884,761	12/1989	Kuntze	242/230
4,969,613	11/1990	Kaneko	242/231
5,149,006	9/1992	Hitomi	242/231
5,261,627	11/1993	Shinohara	242/231

FOREIGN PATENT DOCUMENTS

479103	6/1978	Japan	.
693545	12/1986	Japan	.

OTHER PUBLICATIONS

Catalog—"Super Metal Age", issued Mar. 1, 1989 by Daiwa Seiko, Inc. * Super BB Line Roller.

Primary Examiner—Doris V. Coles
Attorney, Agent, or Firm—Cushman Darby & Cushman

[57] CLAIM

The ornamental design for a line roller for a spinning fishing reel, as shown and described.

DESCRIPTION

FIG. 1 is a front and left side of the perspective view of a line roller for a spinning fishing reel showing our new design; FIG. 2 is a front elevational view, the rear being a mirror image thereof;

FIG. 3 is a left side elevational view thereof;

FIG. 4 is a right side elevational view thereof;

FIG. 5 is a cross sectional view at No. 5 of FIG. 2;

FIG. 6 is a front and left side of the perspective view of the other embodiment showing our new design;

FIG. 7 is a front elevational view, the rear being a mirror image thereof;

FIG. 8 is a left side elevational view thereof;

FIG. 9 is a right side elevational view thereof; and,

FIG. 10 is a cross sectional view at No. 10 of FIG. 7.

1 Claim, 2 Drawing Sheets

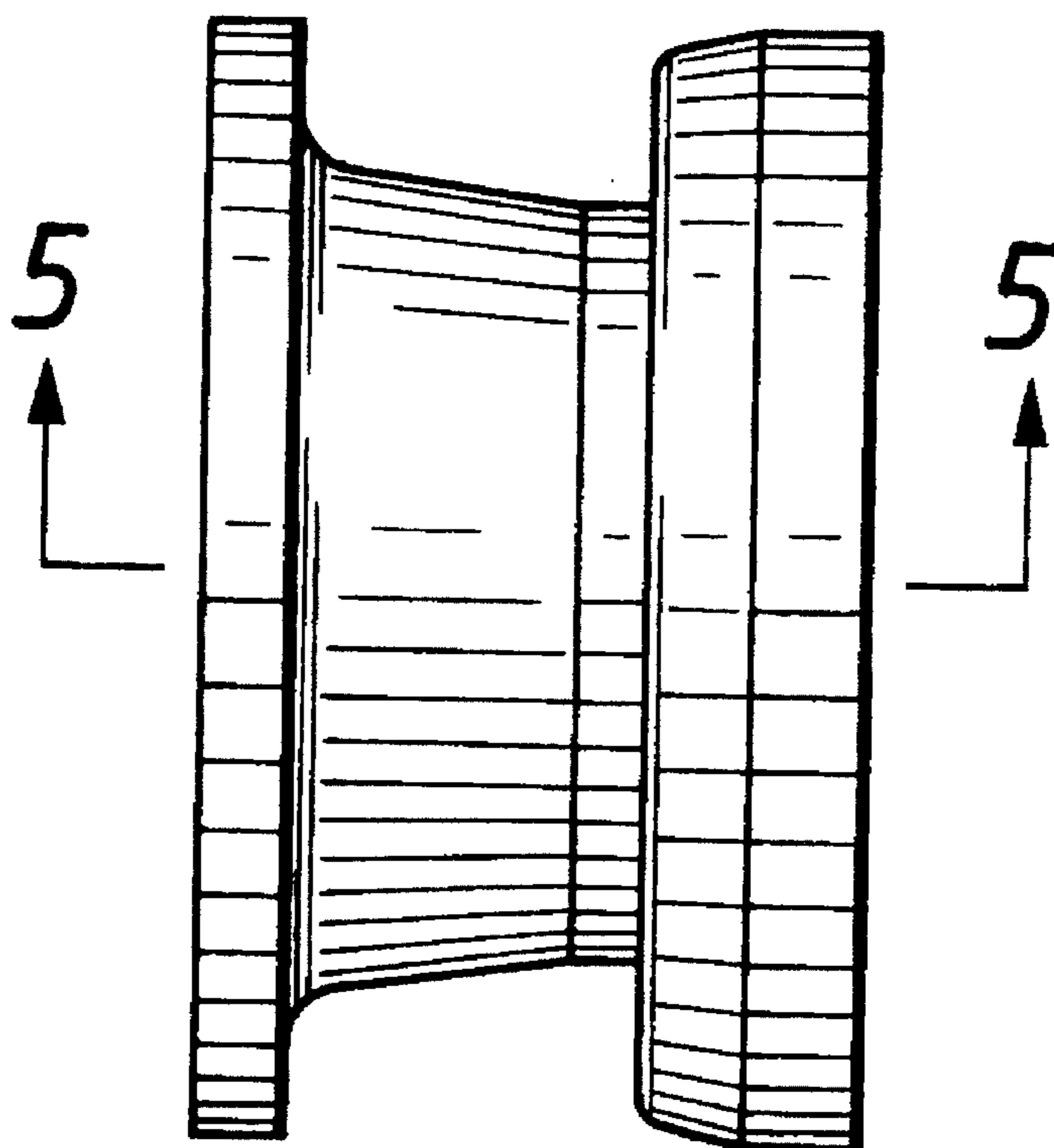


FIG. 1

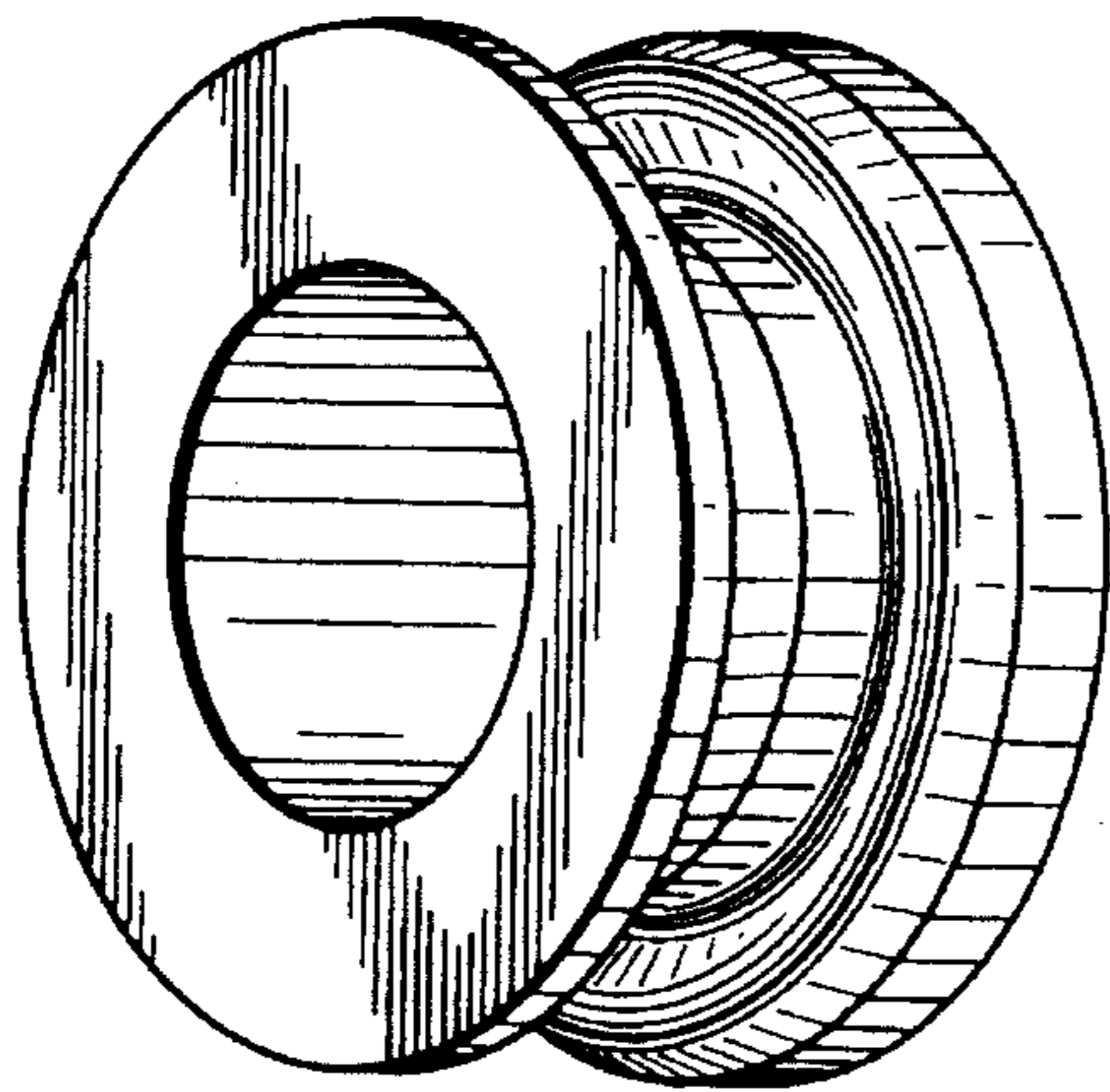


FIG. 2

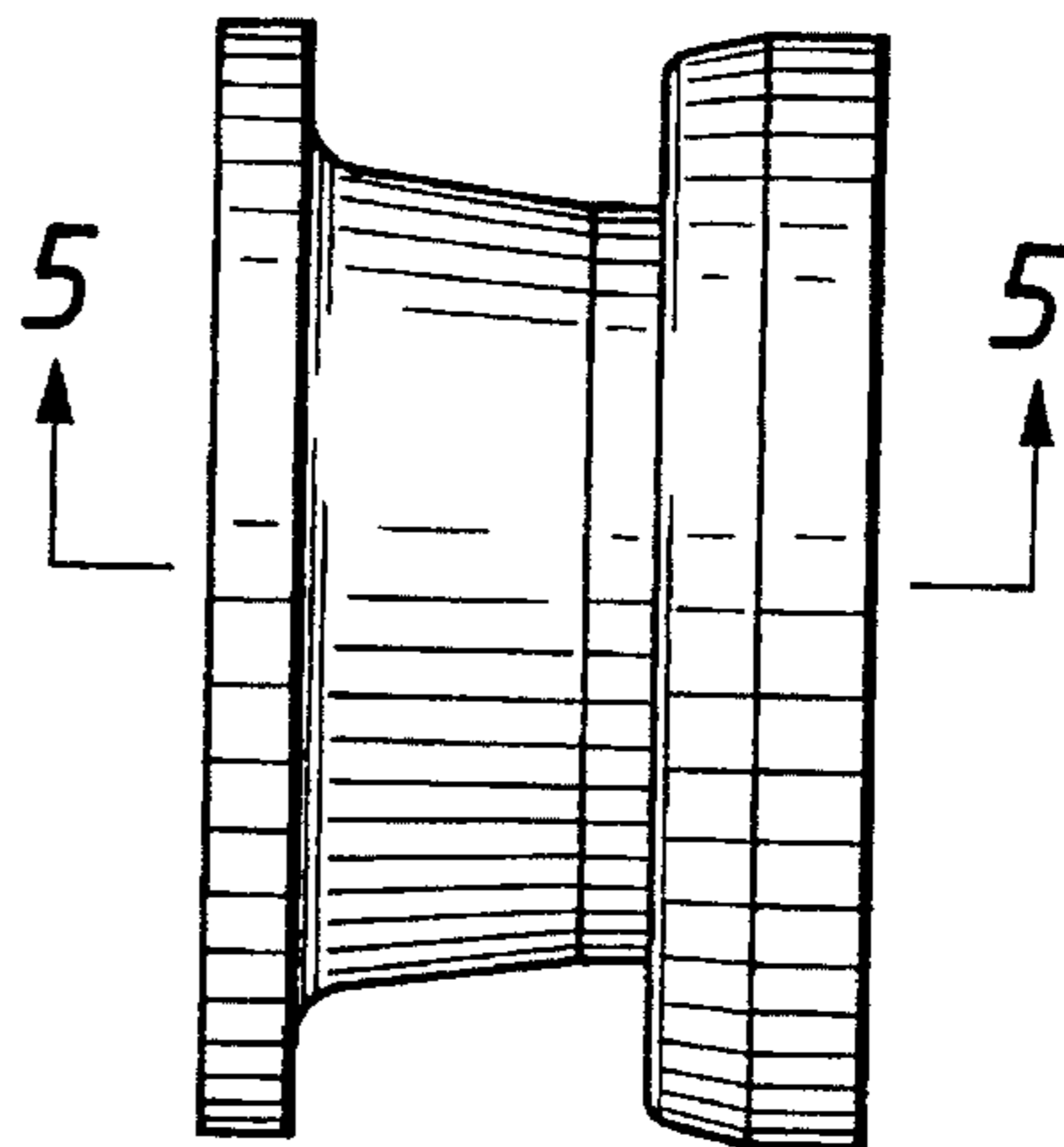


FIG. 3

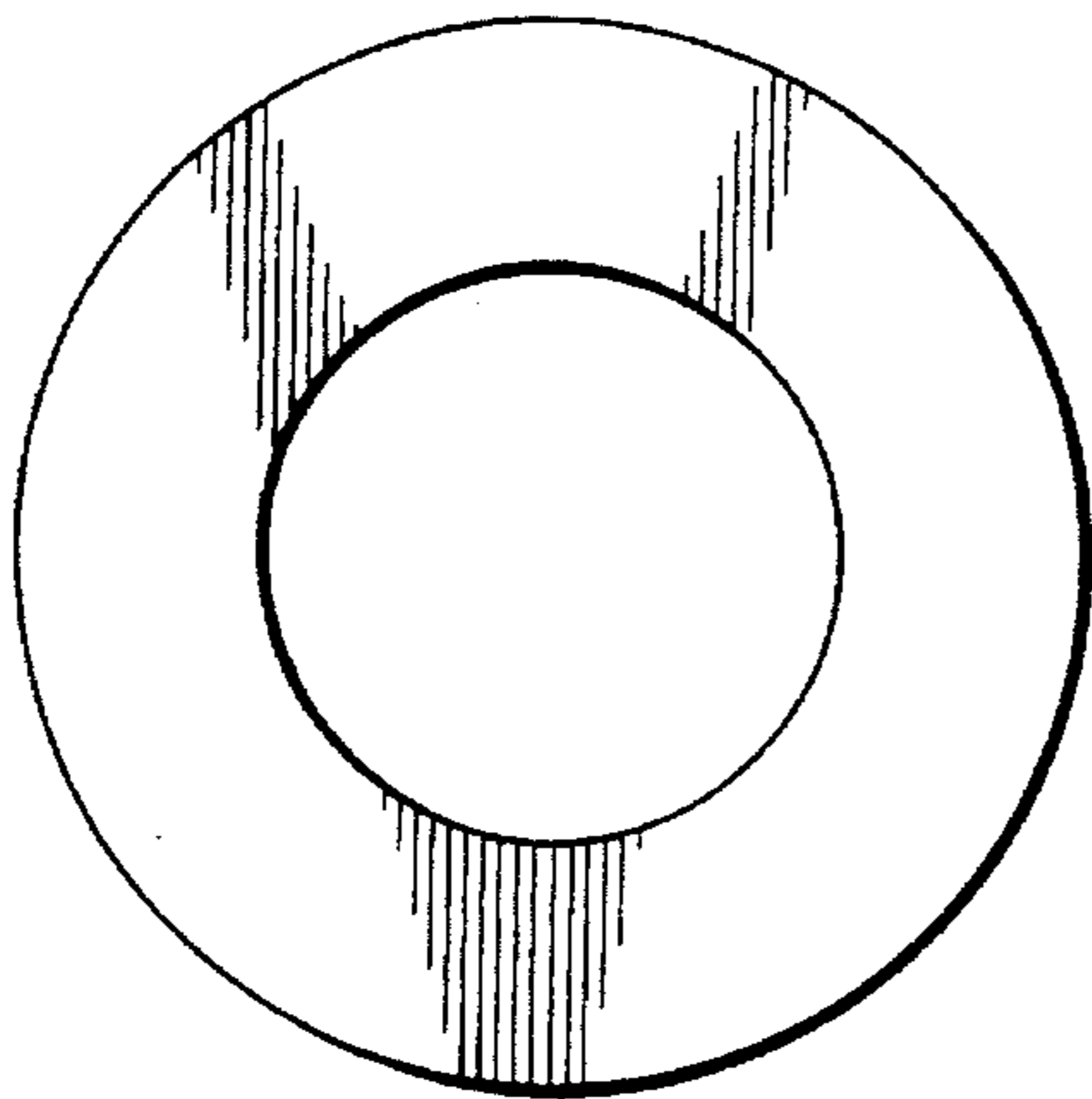


FIG. 4

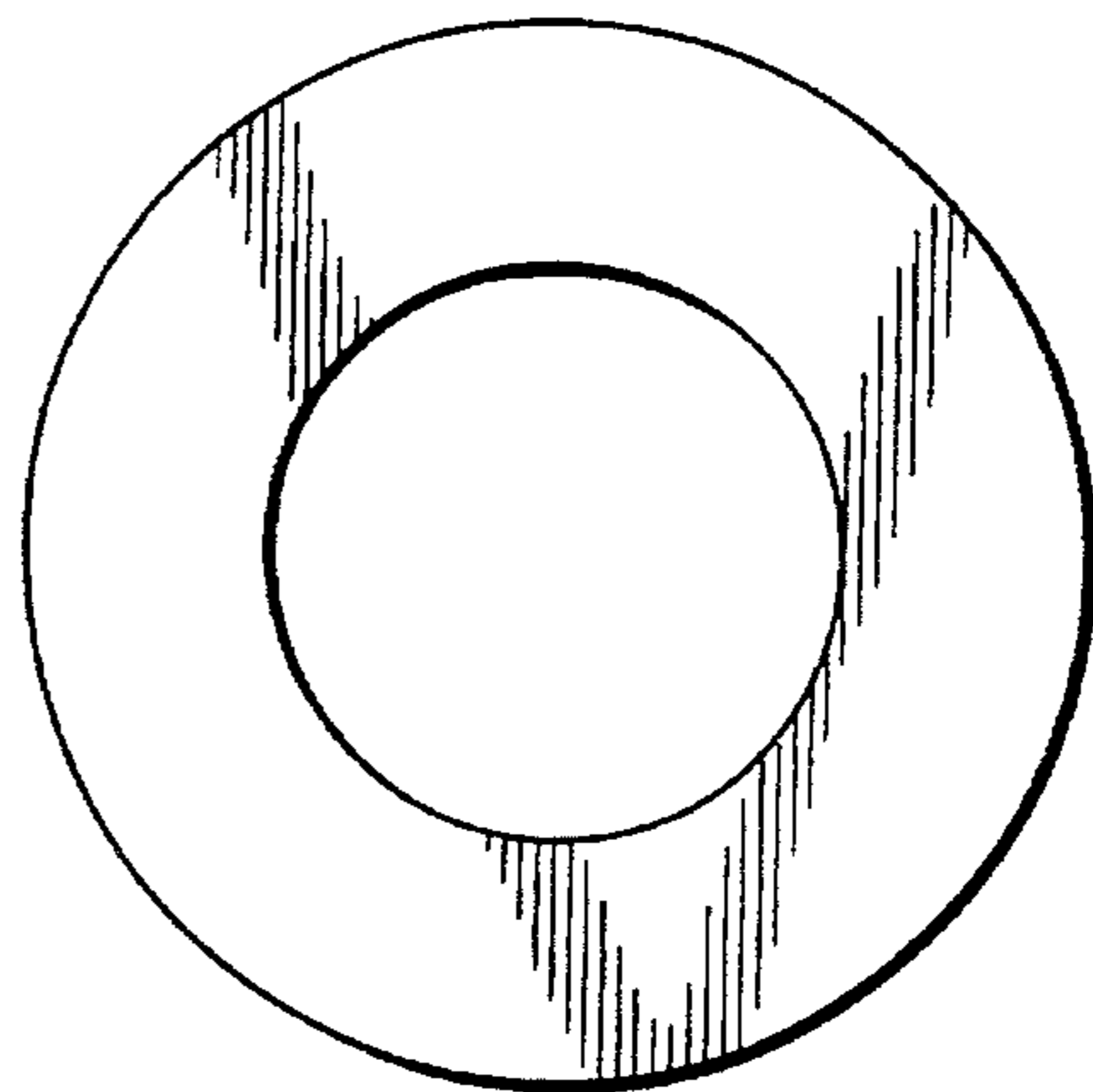


FIG. 5

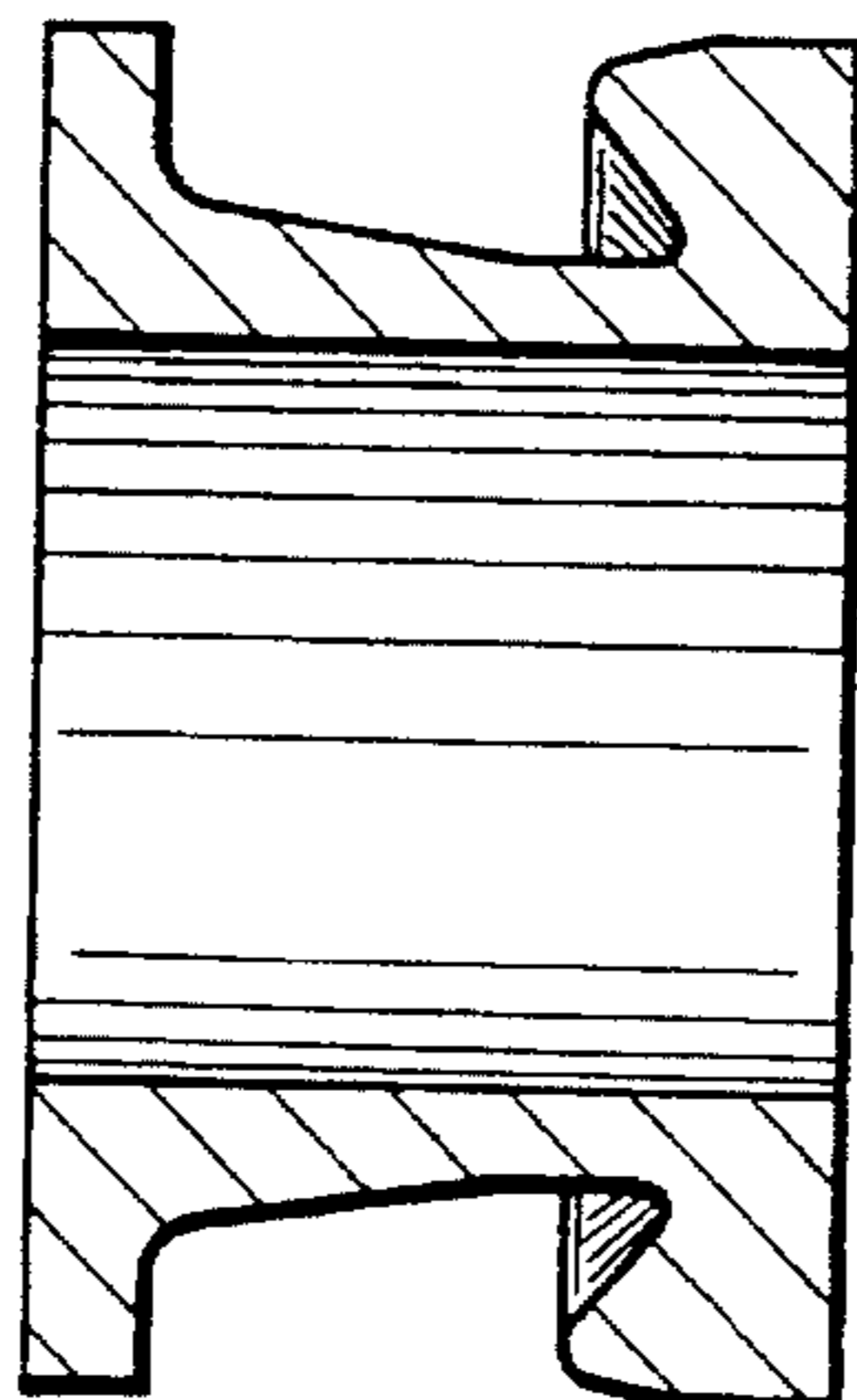


FIG. 6

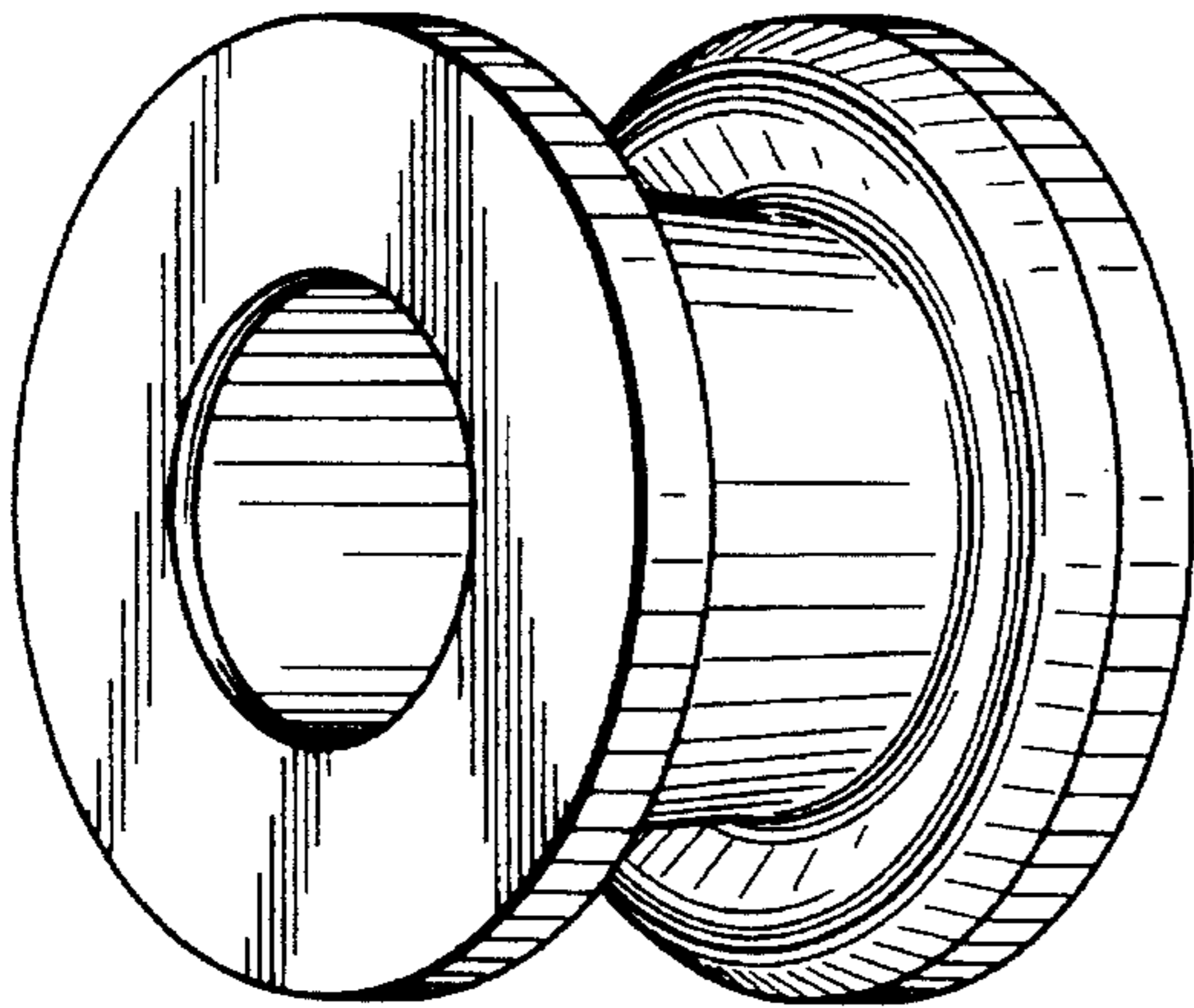


FIG. 7

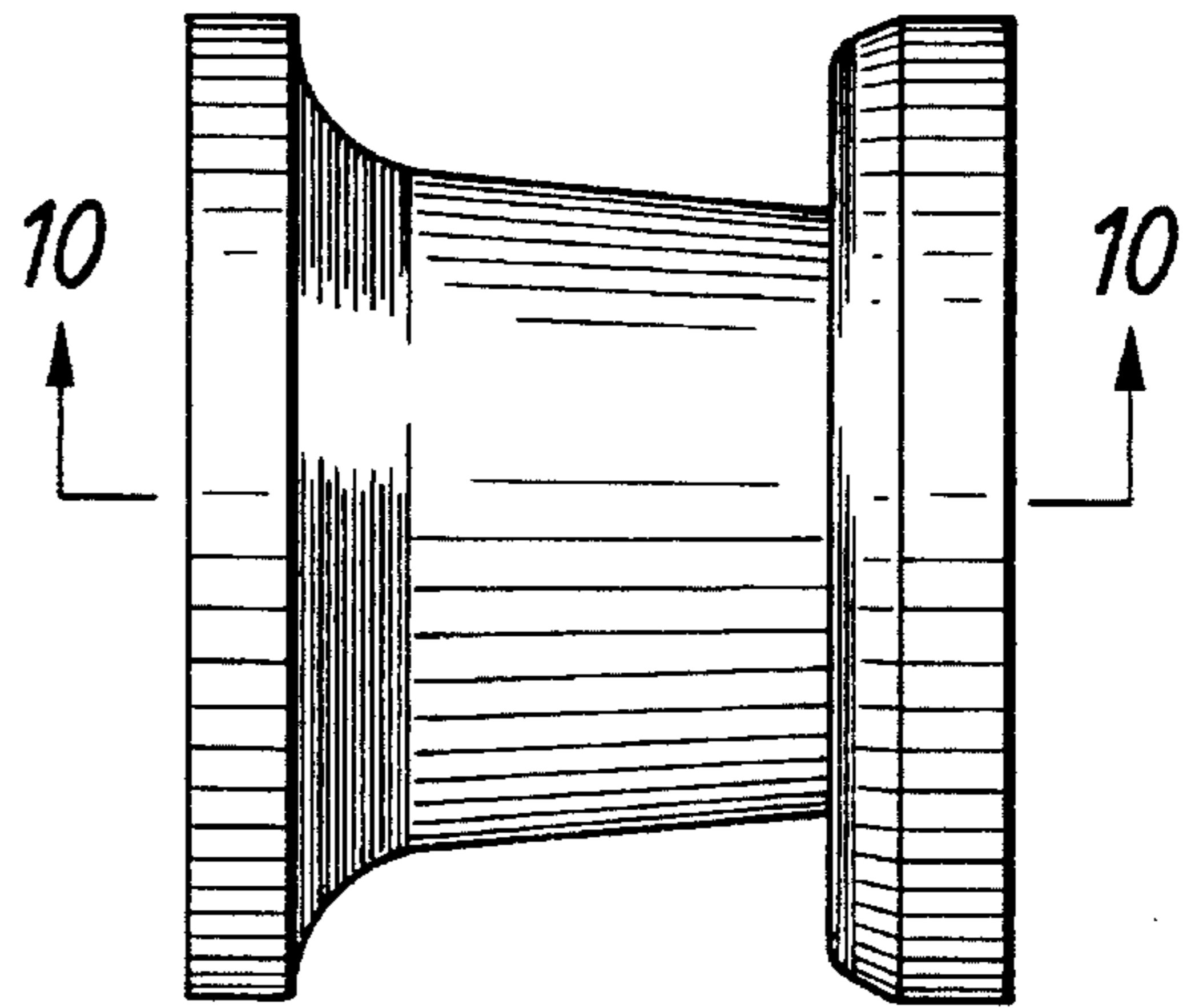


FIG. 8

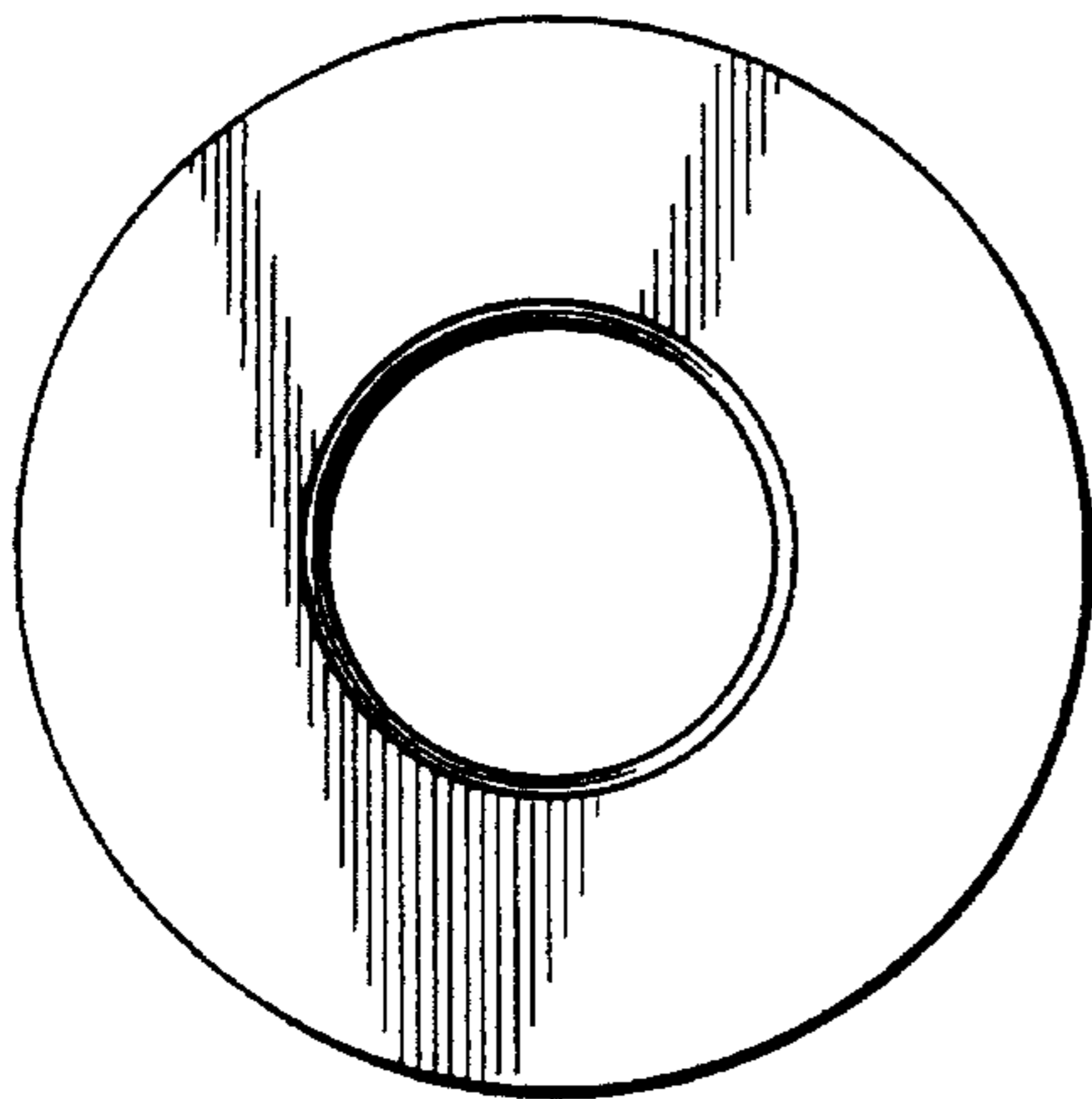


FIG. 9

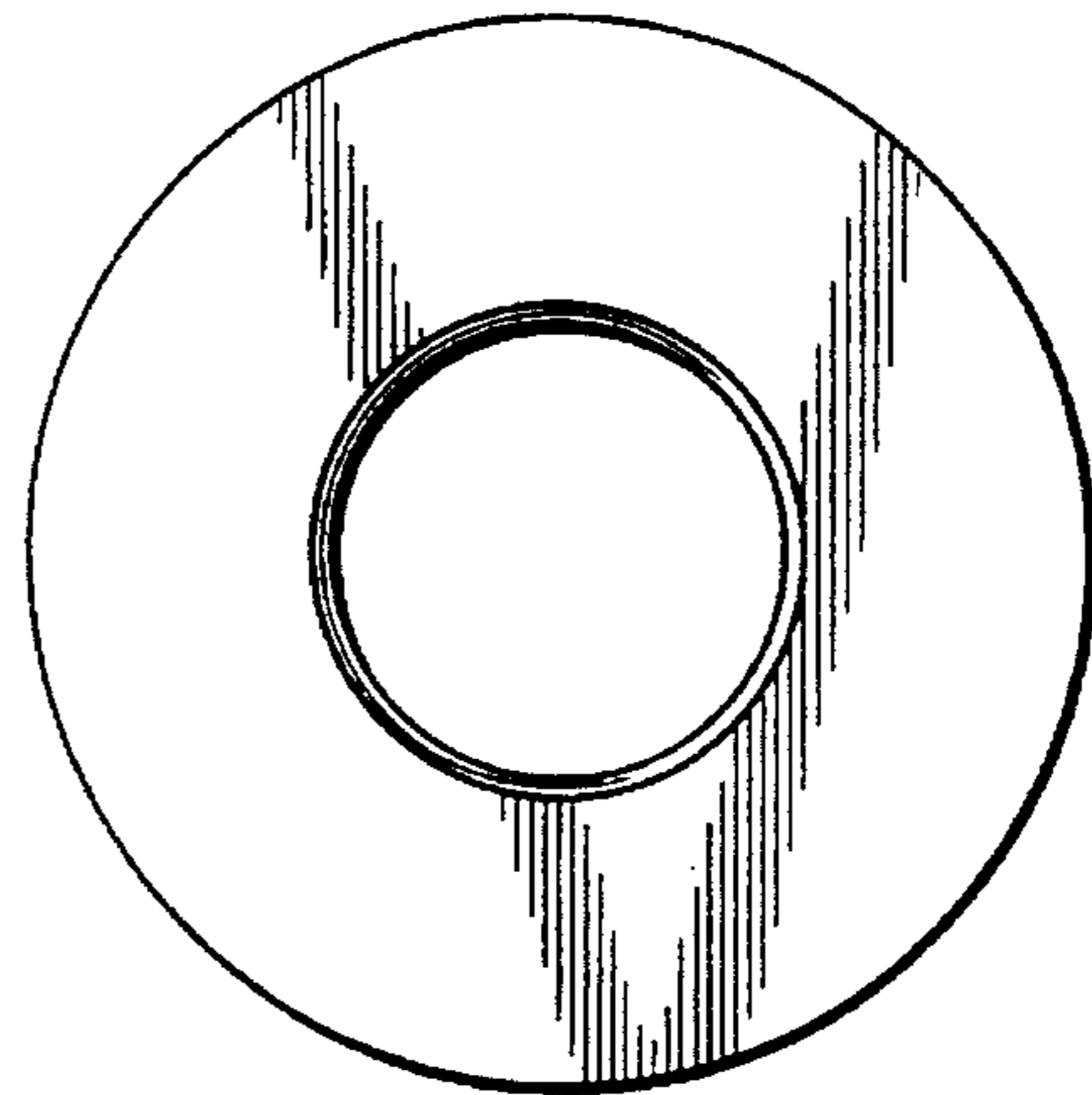


FIG. 10

