



US00D369848S

United States Patent [19]

Asano et al.

[11] Patent Number: **Des. 369,848**

[45] Date of Patent: ****May 14, 1996**

[54] **FISHING REEL**

[75] Inventors: **Shinichi Asano**, Musashino; **Takeo Miyazaki**; **Shigeo Mimura**, both of Higashikurume, all of Japan

[73] Assignee: **Daiwa Seiko, Inc.**, Higashikurume, Japan

[**] Term: **14 Years**

[21] Appl. No.: **24,974**

[22] Filed: **Jun. 24, 1994**

[30] Foreign Application Priority Data

Dec. 27, 1993 [JP] Japan 5-39752
May 17, 1994 [JP] Japan 6-13953

[52] U.S. Cl. **D22/140**

[58] Field of Search D22/140; 242/234, 242/240, 310, 282, 279, 311, 312, 313

[56] References Cited

U.S. PATENT DOCUMENTS

D. 299,511 1/1989 Kameda et al. D22/140
D. 315,011 2/1991 Kameda et al. D22/140

D. 336,325	6/1993	Asano	D22/140
D. 346,006	4/1994	Sakurai et al.	D22/140
D. 347,046	5/1994	Sakurai	D22/140
D. 352,989	11/1994	Park	D22/140
D. 353,647	12/1994	Sakurai	D22/140
D. 356,139	3/1995	Onishi	D22/140
5,127,603	7/1992	Morimoto	242/310 X
5,183,221	2/1993	Kawai et al.	242/310

Primary Examiner—Doris V. Coles
Attorney, Agent, or Firm—Cushman Darby & Cushman

[57] CLAIM

The ornamental design for a fishing reel, as shown and described.

DESCRIPTION

FIG. 1 is a front, top and right side of the perspective view of a fishing reel showing our new design; FIG. 2 is a front elevational view thereof; FIG. 3 is a rear elevational view thereof; FIG. 4 is a top plan view thereof; FIG. 5 is a bottom view thereof; FIG. 6 is a right side elevational view thereof; and, FIG. 7 is a left side elevational view thereof.

1 Claim, 2 Drawing Sheets

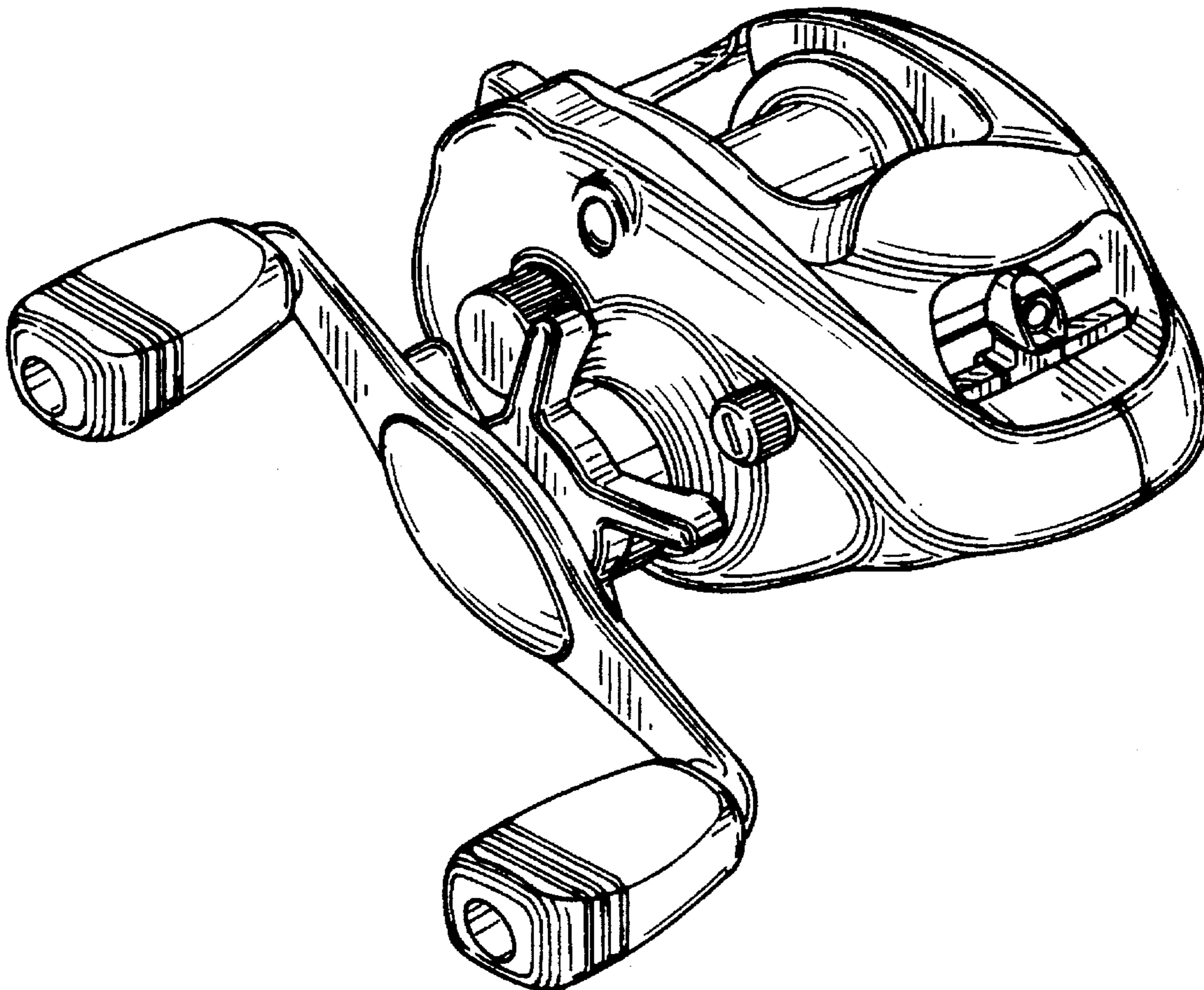


FIG. 1

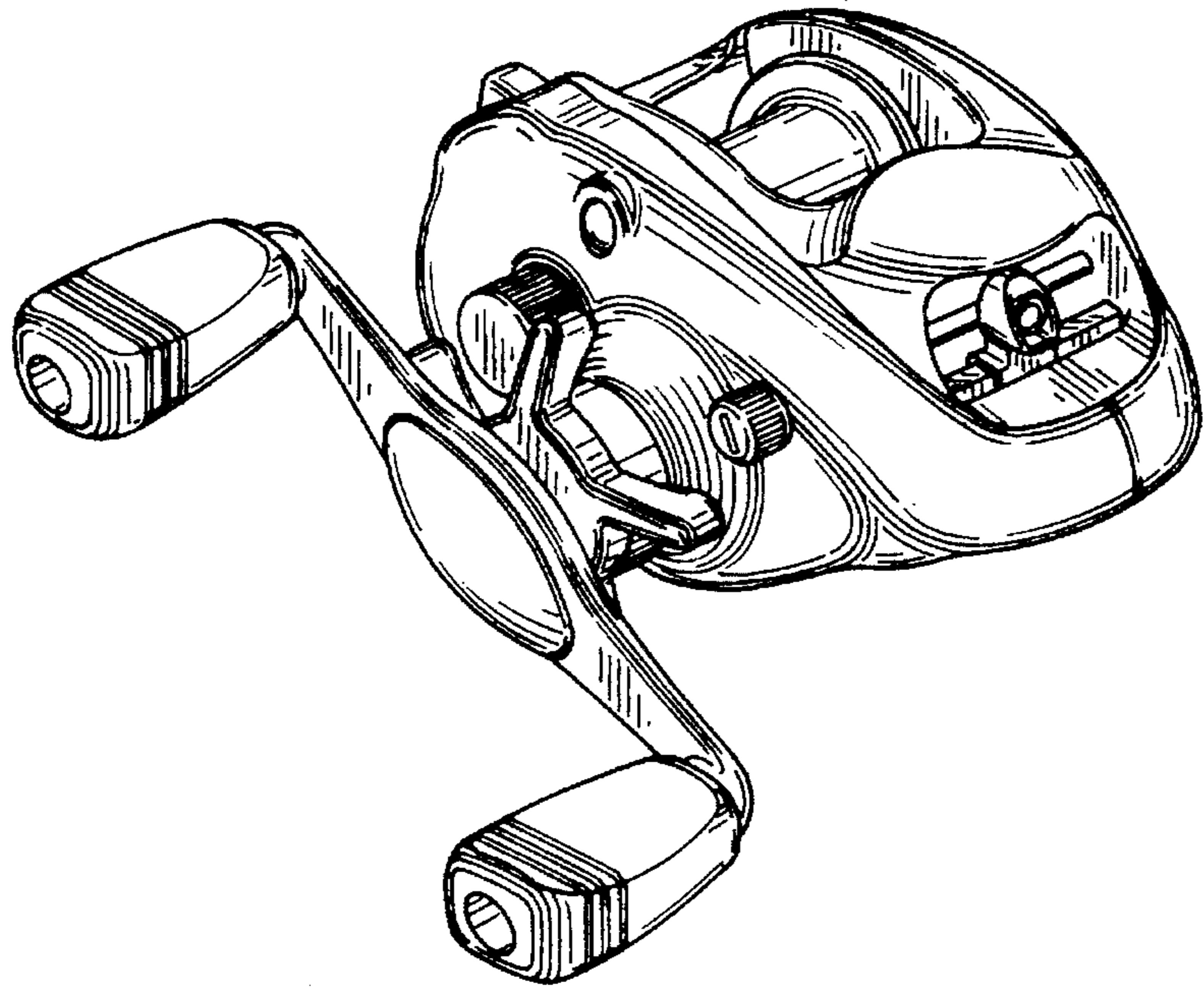


FIG. 2

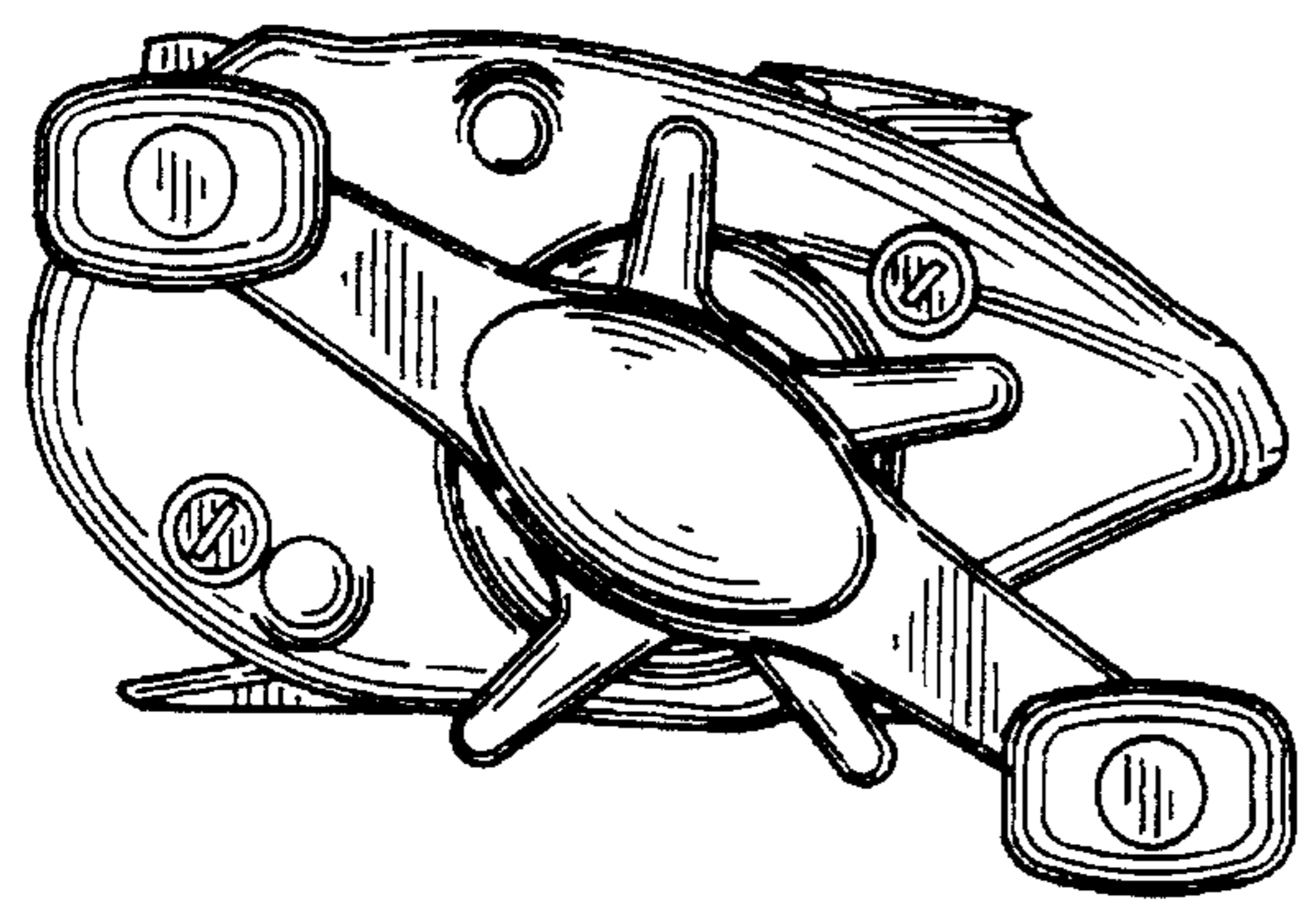


FIG. 3

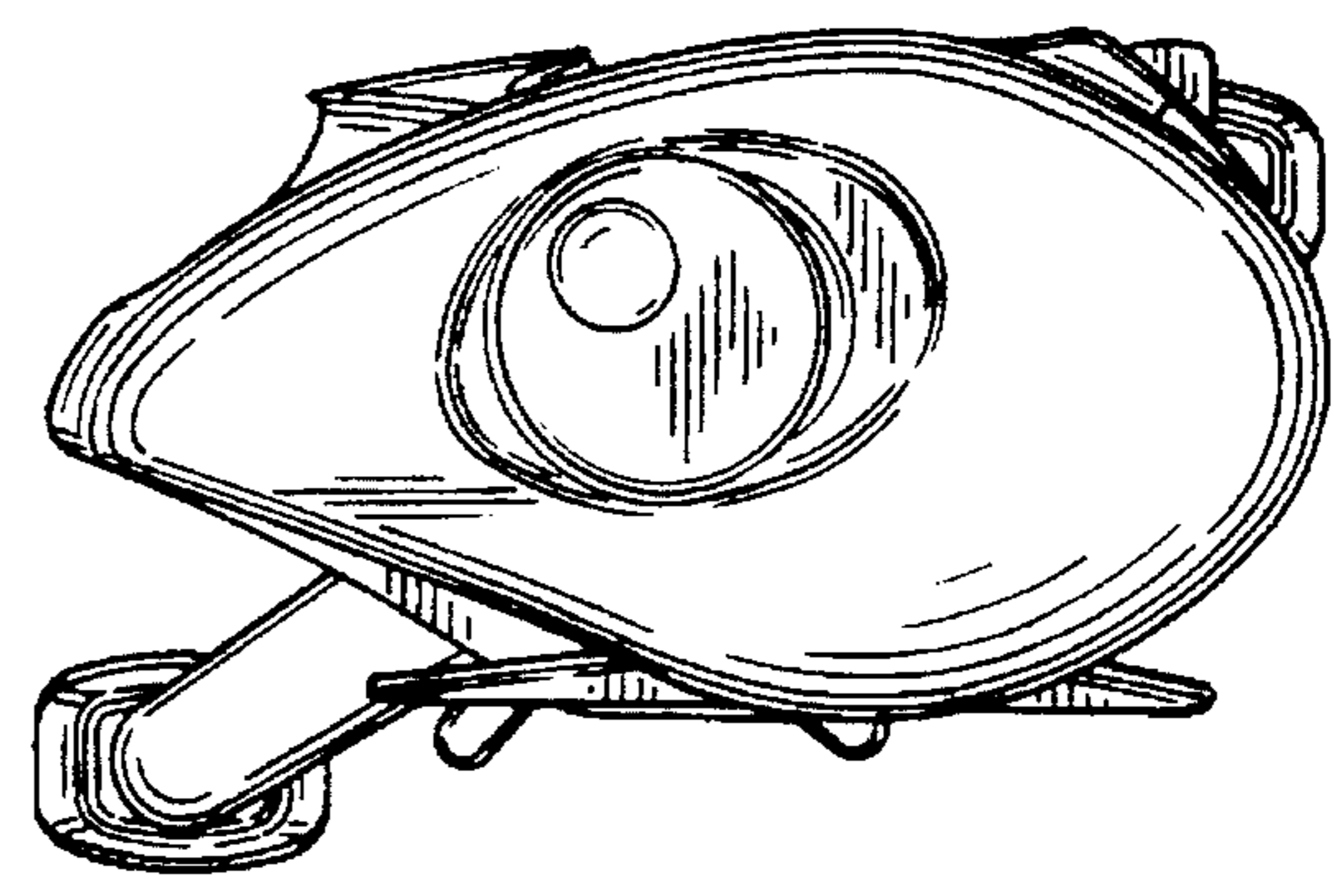


FIG. 4

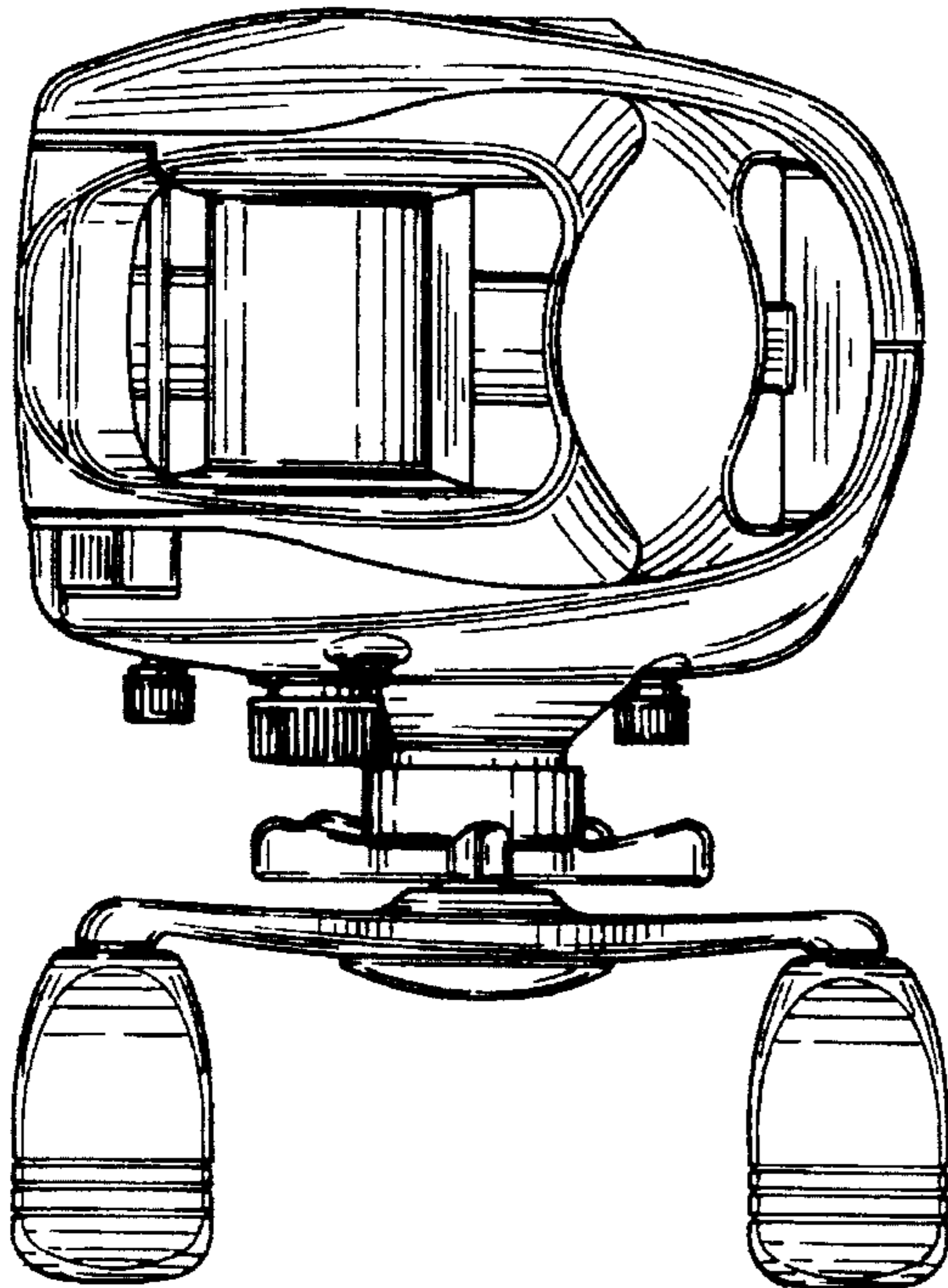


FIG. 5

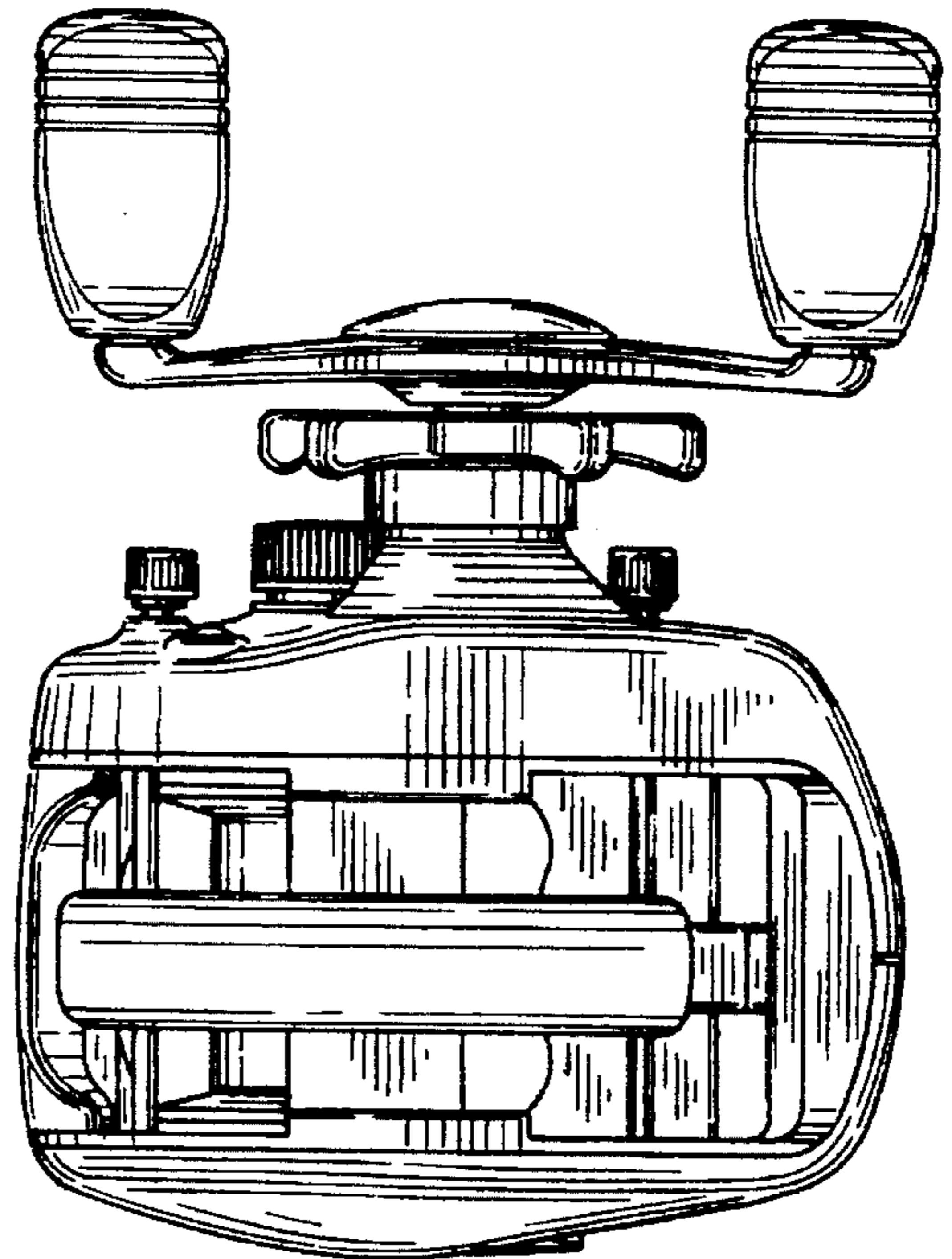


FIG. 6

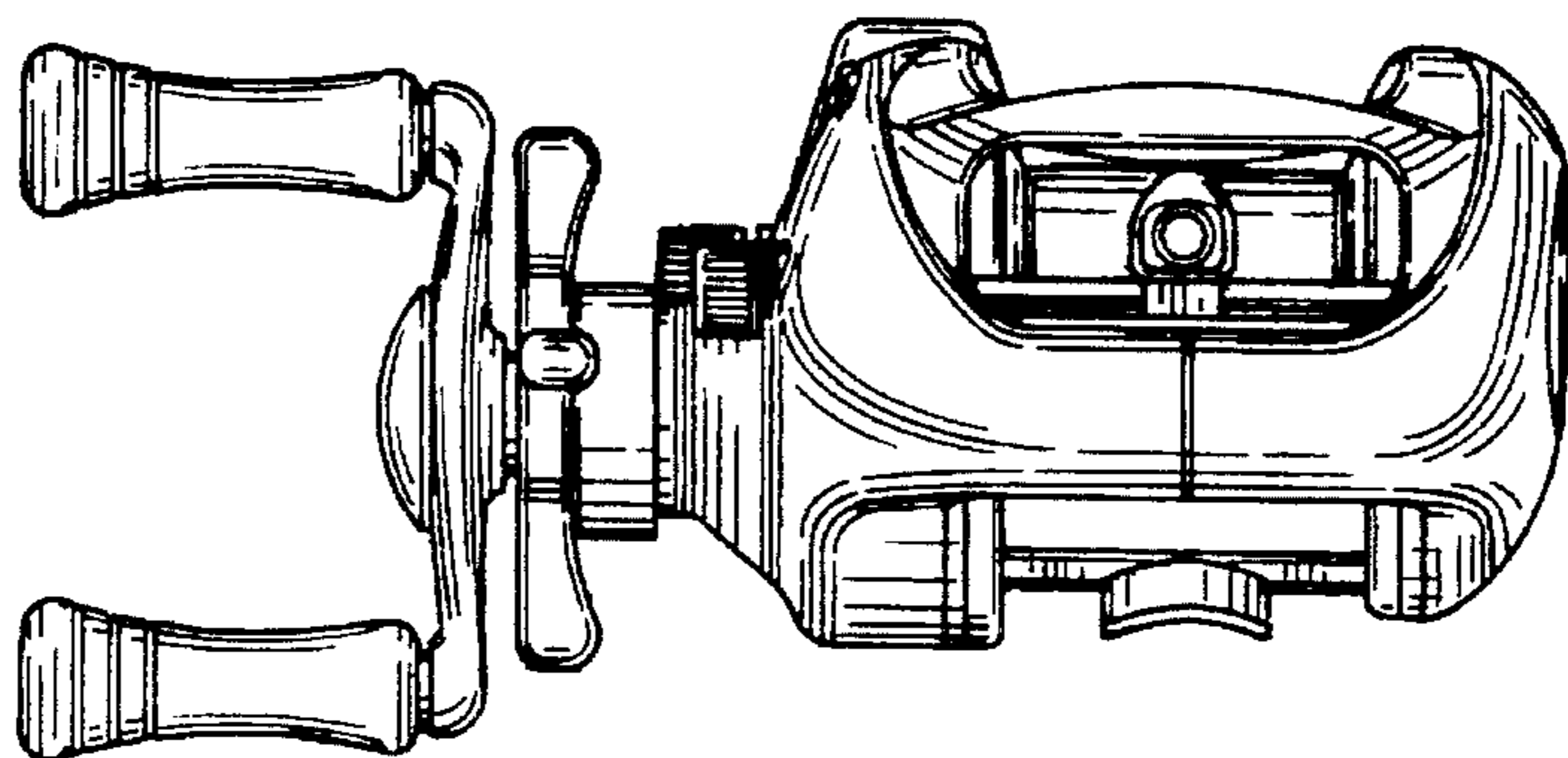


FIG. 7

