



US00D369846S

United States Patent [19]

Jones

[11] Patent Number: **Des. 369,846**

[45] Date of Patent: ****May 14, 1996**

[54] **PUTTING AID**

5,409,212 4/1995 Arnett 273/32 B

[76] Inventor: **Charles T. Jones**, 12401 Rivendell Dr., Oklahoma City, Okla. 73170

Primary Examiner—Terry A. Wallace
Assistant Examiner—Cheri Cohen
Attorney, Agent, or Firm—Bill D. McCarthy; Phillip L. Free, Jr.

[**] Term: **14 Years**

[21] Appl. No.: **38,594**

[57] CLAIM

[22] Filed: **May 9, 1995**

The ornamental design for a putting aid, as shown.

[52] U.S. Cl. **D21/234; D10/65; D10/69**

DESCRIPTION

[58] **Field of Search** D21/234, 108; D10/69, 46.1, 65; 273/162 B, 32 H; 33/429, 451, 365, 452

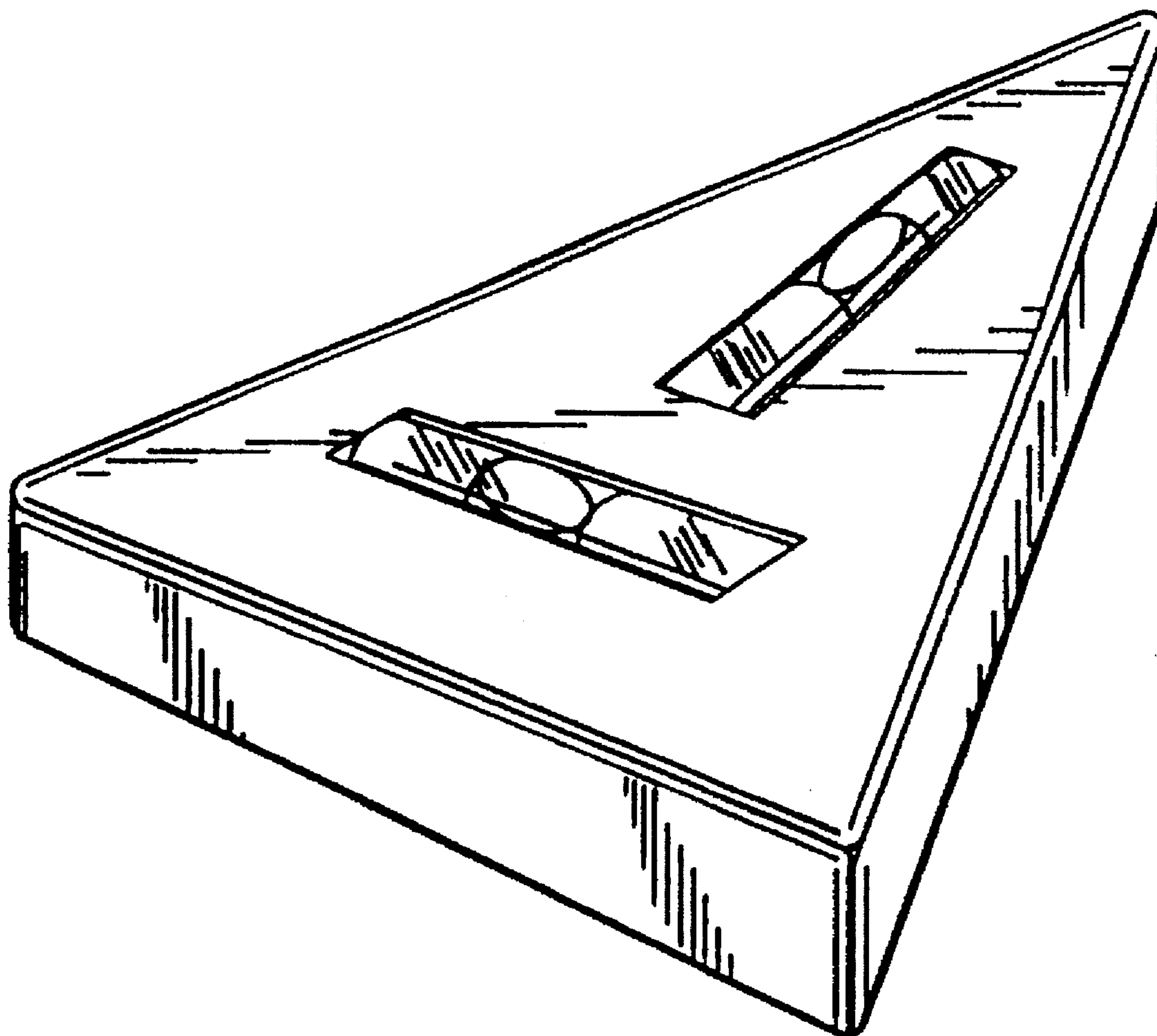
FIG. 1 is a perspective view of a putting aid showing my new design;
FIG. 2 is a top plan view thereof;
FIG. 3 is a bottom plan view thereof;
FIG. 4 is an elevational view of one side thereof;
FIG. 5 is an elevational view of the other side thereof;
FIG. 6 is an elevational view of the front edge thereof; and,
FIG. 7 is an elevational view of the rear thereof.

[56] References Cited

U.S. PATENT DOCUMENTS

161,155	3/1875	Ransom	273/32 H X
D. 310,972	10/1990	Neuman	D10/69 X
D. 349,462	8/1994	Douglas	D10/69 X
4,984,791	1/1991	Labell	273/32 B X
5,326,096	7/1994	H'Doubler	273/32 H

1 Claim, 1 Drawing Sheet



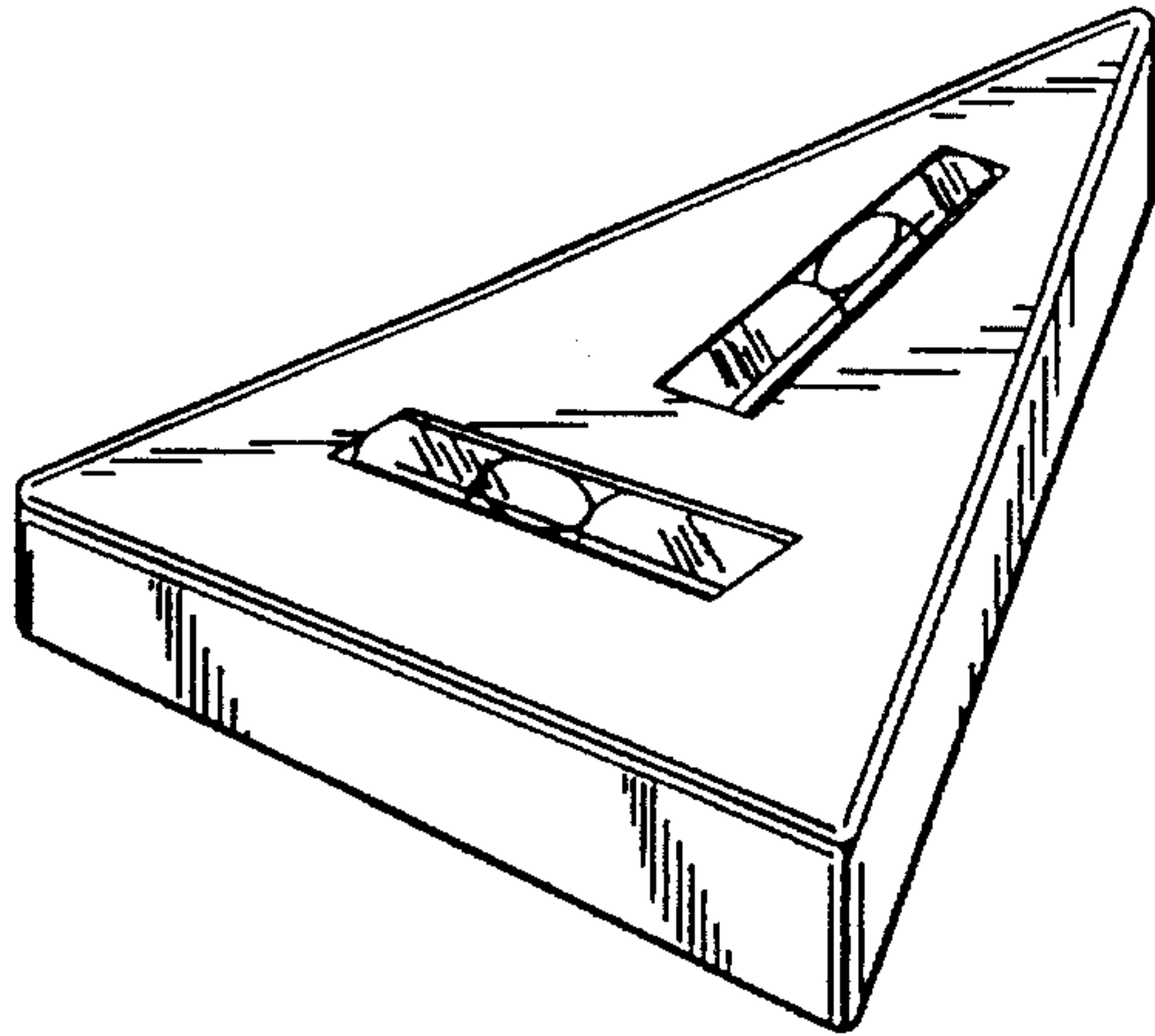


FIG. 1

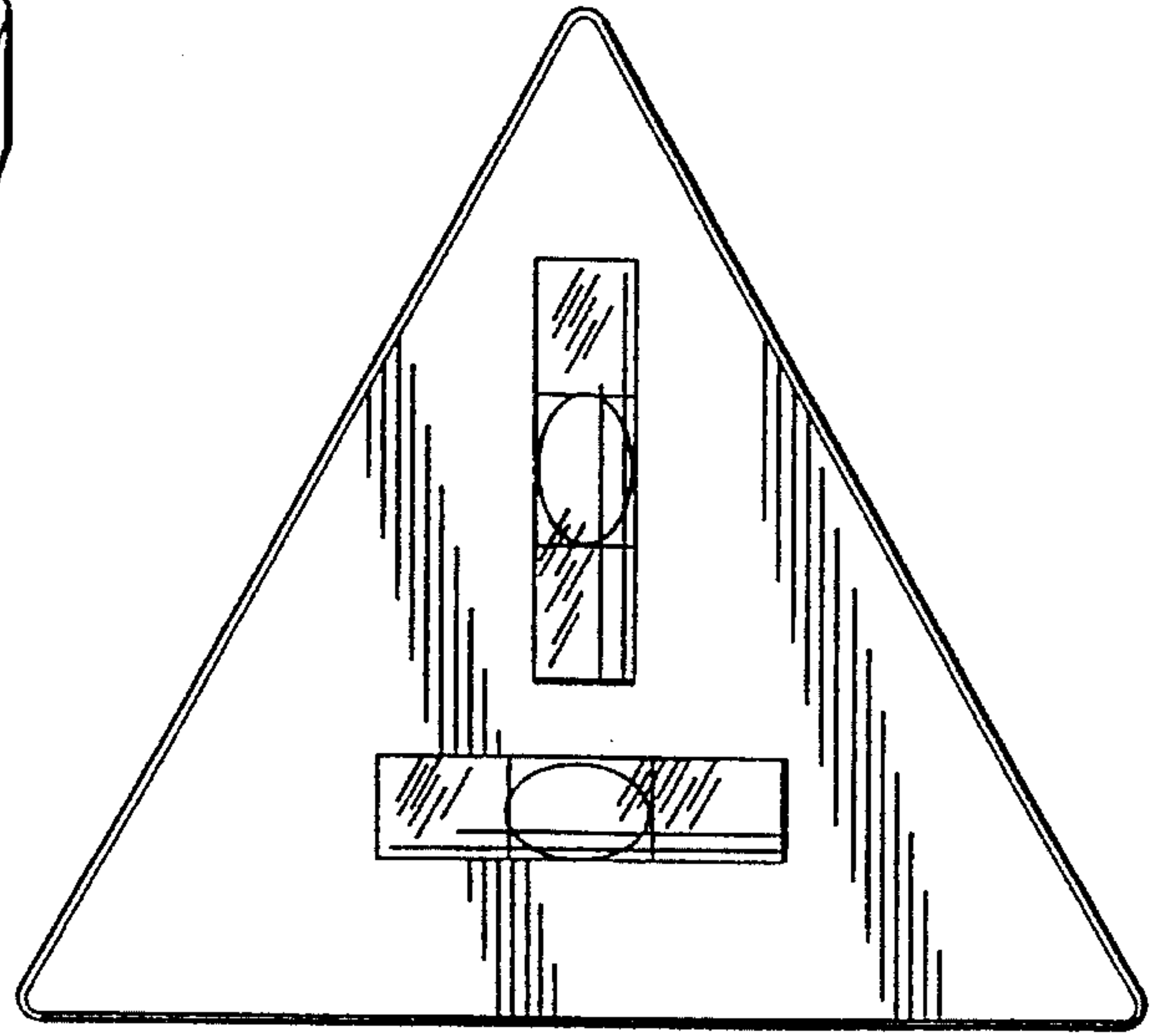


FIG. 2

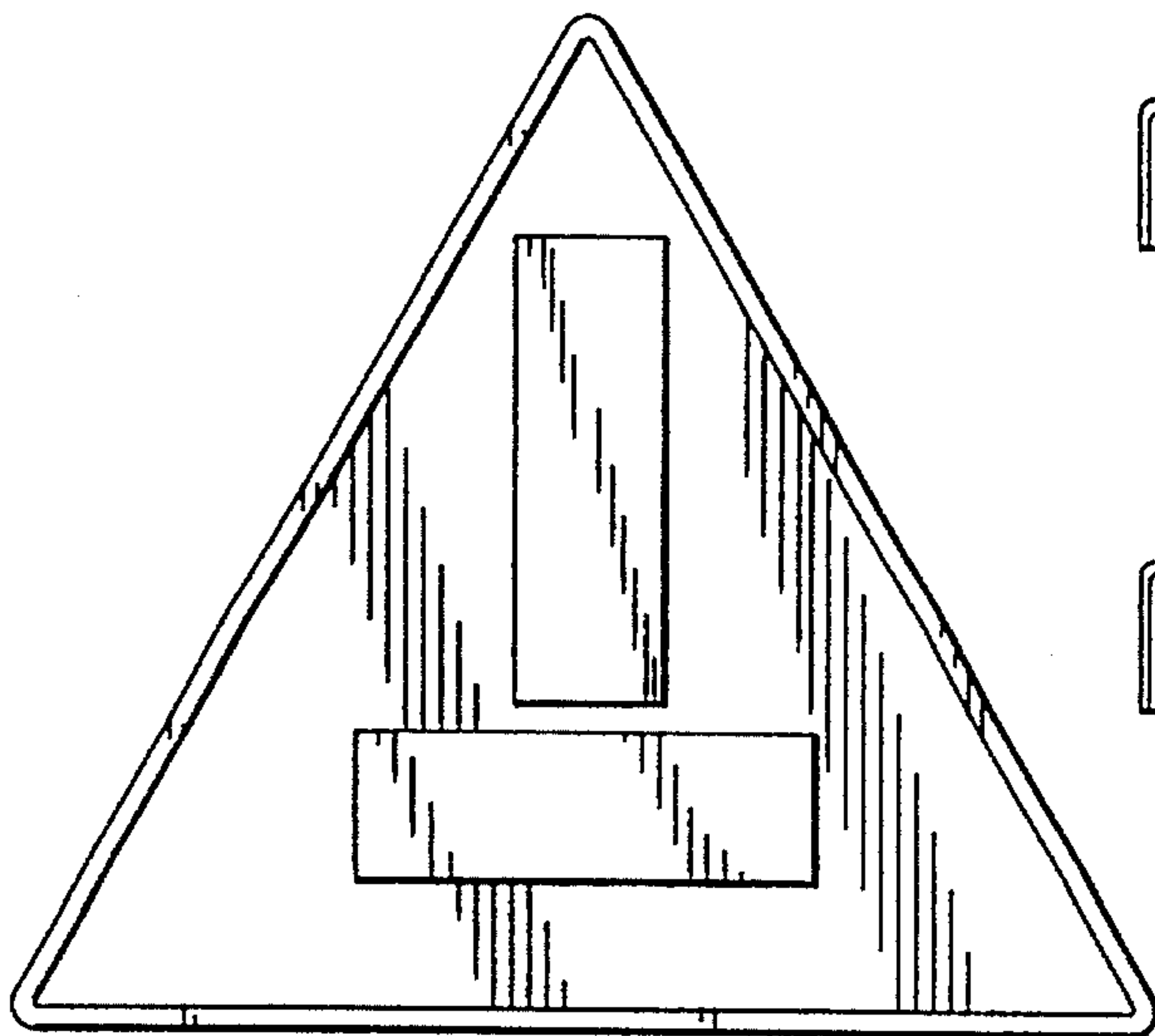


FIG. 3

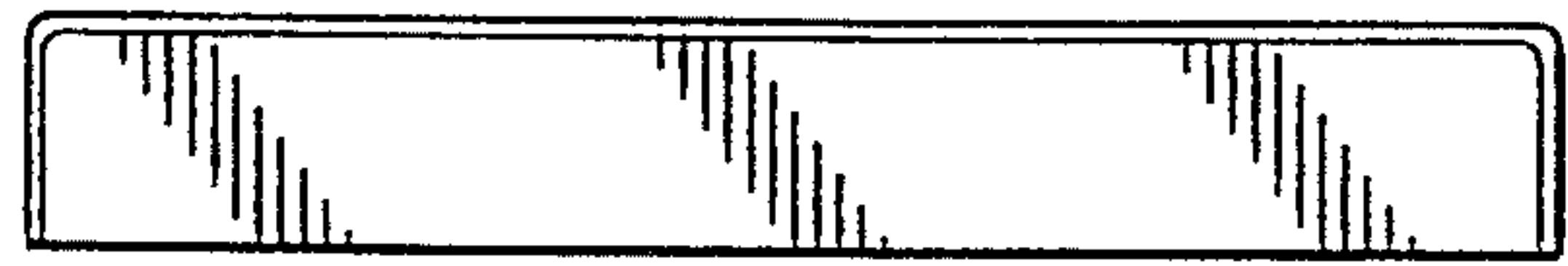


FIG. 4

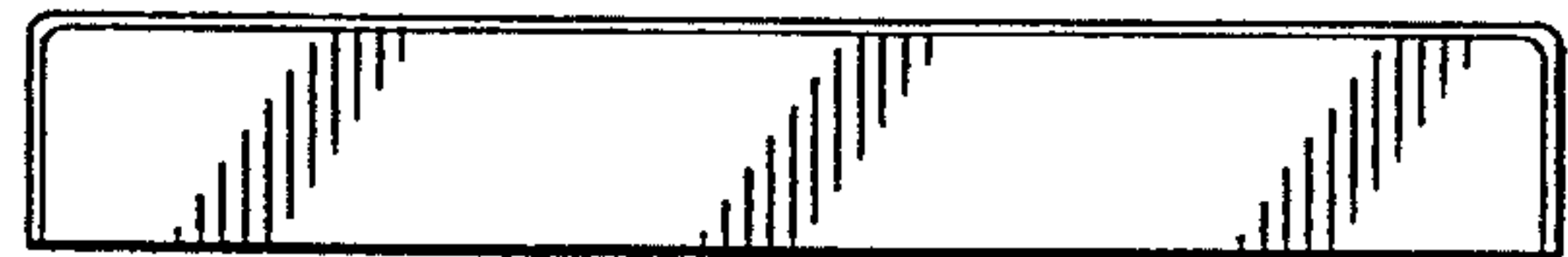


FIG. 5

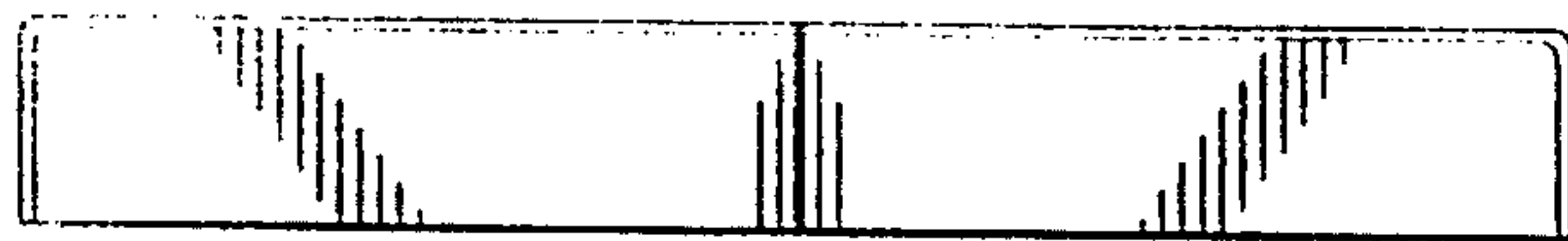


FIG. 6

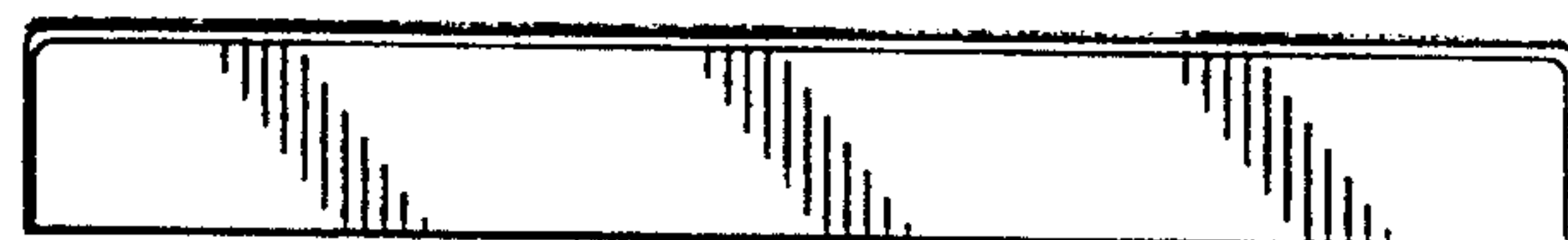


FIG. 7