



US00D369845S

# United States Patent [19]

[11] Patent Number: **Des. 369,845**

**Knez**

[45] Date of Patent: **\*\*May 14, 1996**

[54] **GOLF TEE**

1,678,944 7/1928 Jacobsen ..... D21/208 X  
1,759,657 5/1930 McLeod ..... 273/33

[76] Inventor: **Jordan Knez**, Andrégatan 16, 302 38  
Halmstad, Sweden

### FOREIGN PATENT DOCUMENTS

[\*\*] Term: **14 Years**

4409 of 1896 United Kingdom ..... 273/211  
445026 4/1936 United Kingdom ..... 273/211

[21] Appl. No.: **26,136**

*Primary Examiner*—Ted Shooman

*Assistant Examiner*—Cheri Cohen

[22] Filed: **Jul. 20, 1994**

*Attorney, Agent, or Firm*—Antonelli, Terry, Stout & Kraus

### [30] Foreign Application Priority Data

### [57] CLAIM

Jan. 25, 1994 [SE] Sweden ..... 94-0179

[52] U.S. Cl. .... **D21/208**

The ornamental design for a golf tee, as shown and described.

[58] **Field of Search** ..... D21/208, 234;  
273/32.5, 33, 32 A, 32 B, 162 C, 162 D,  
162 E, 162 F, 202–212

### DESCRIPTION

### [56] References Cited

#### U.S. PATENT DOCUMENTS

D. 181,633 12/1957 De La Fariest ..... D21/208  
D. 202,359 9/1965 Harris ..... D21/208  
1,573,911 2/1926 Budrow ..... 273/211

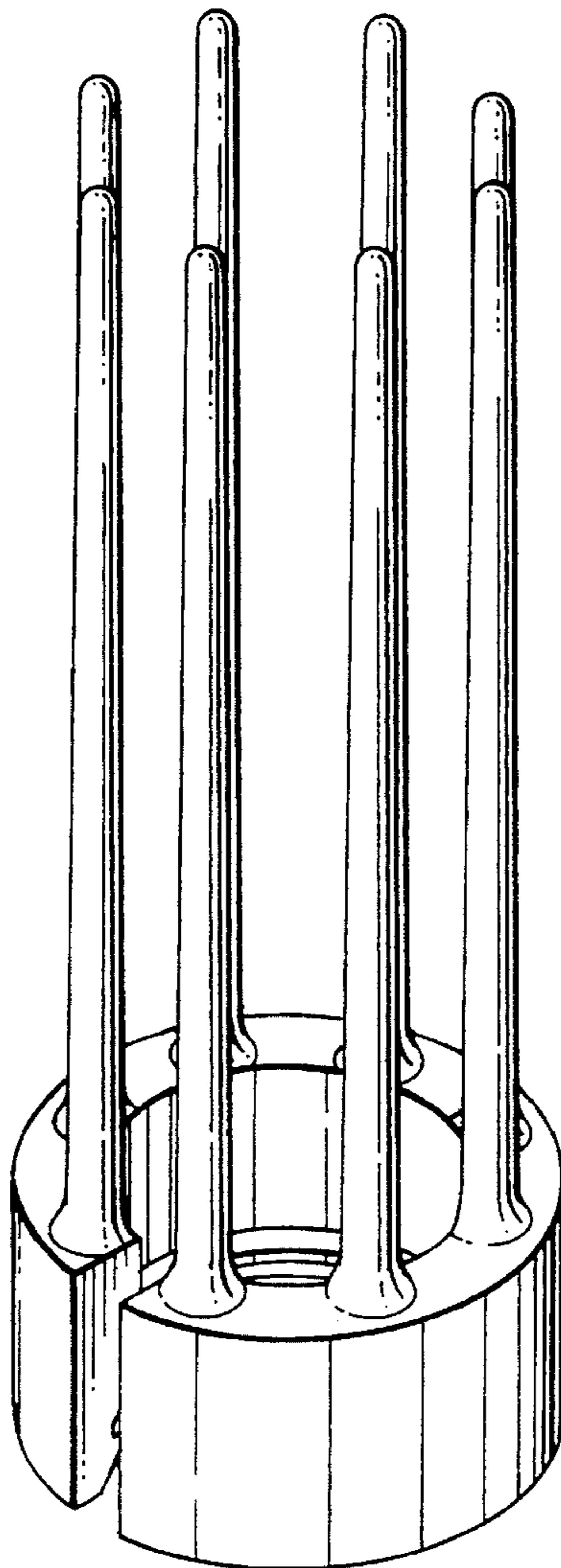
FIG. 1 is a perspective view of a golf tee showing my new design;

FIG. 2 is a side elevation view thereof; the opposite side being identical;

FIG. 3 is a top plan view thereof; and,

FIG. 4 is a bottom plan view thereof.

**1 Claim, 1 Drawing Sheet**



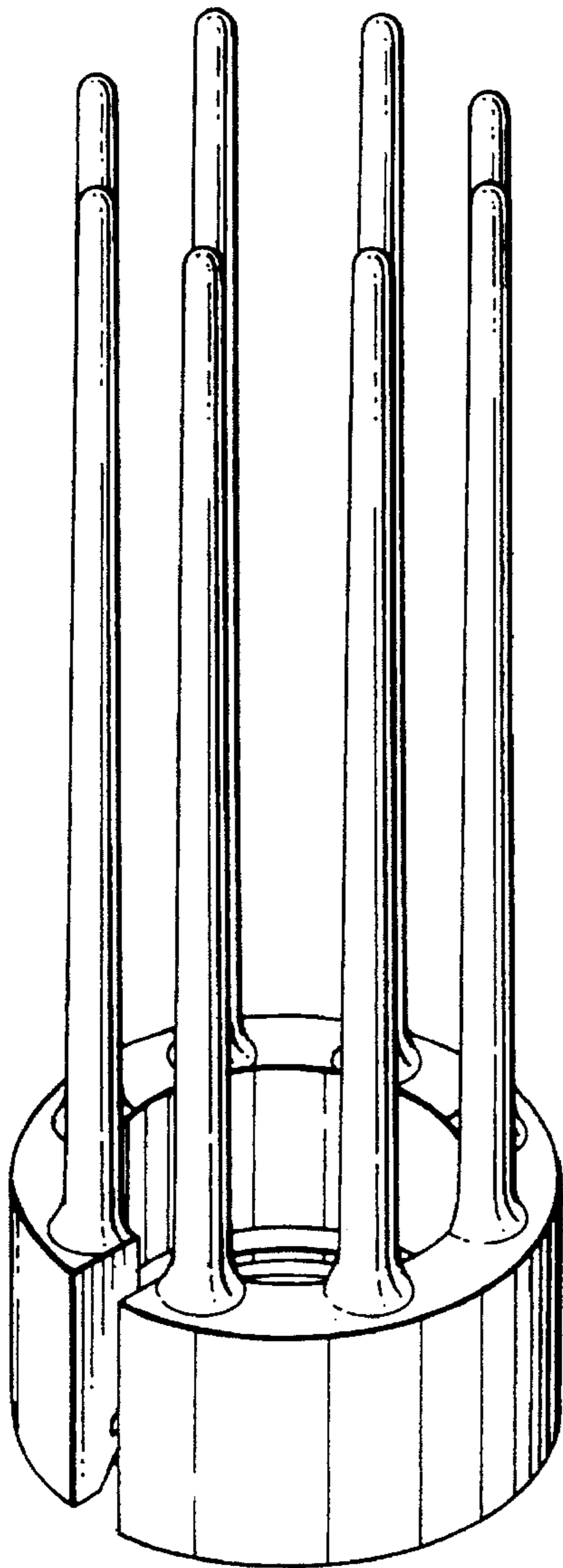


Fig. 1.

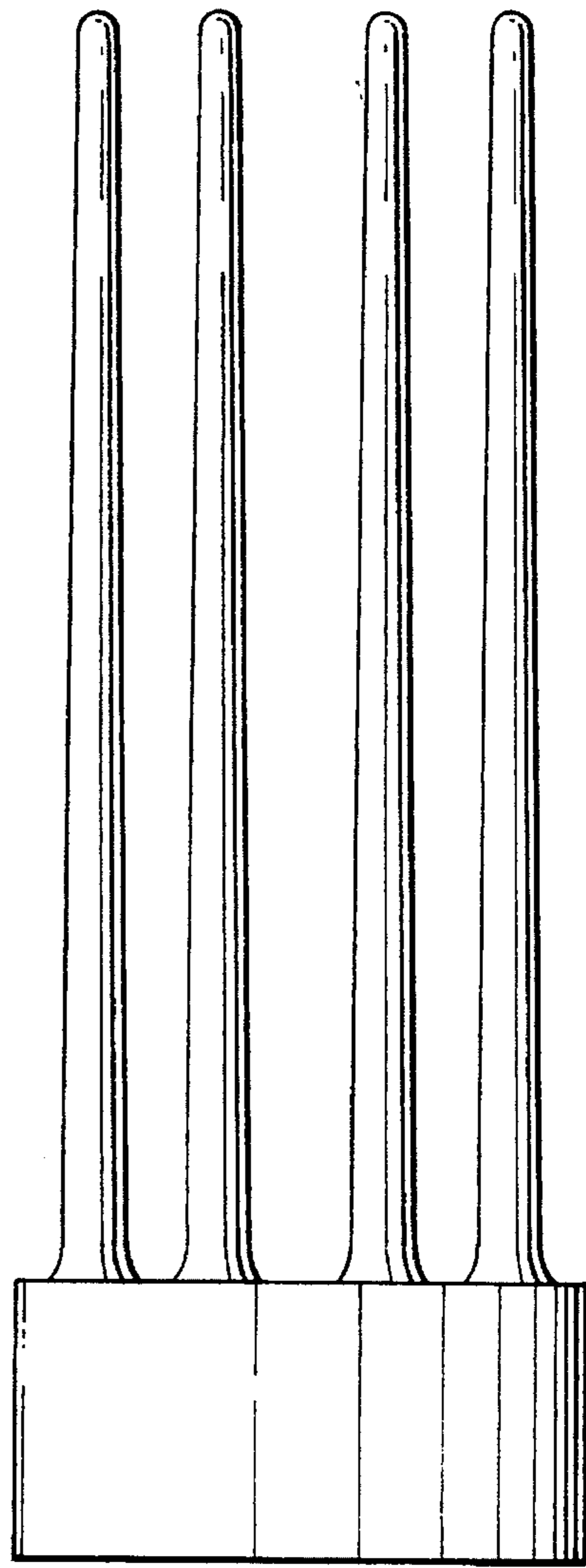


Fig. 2.

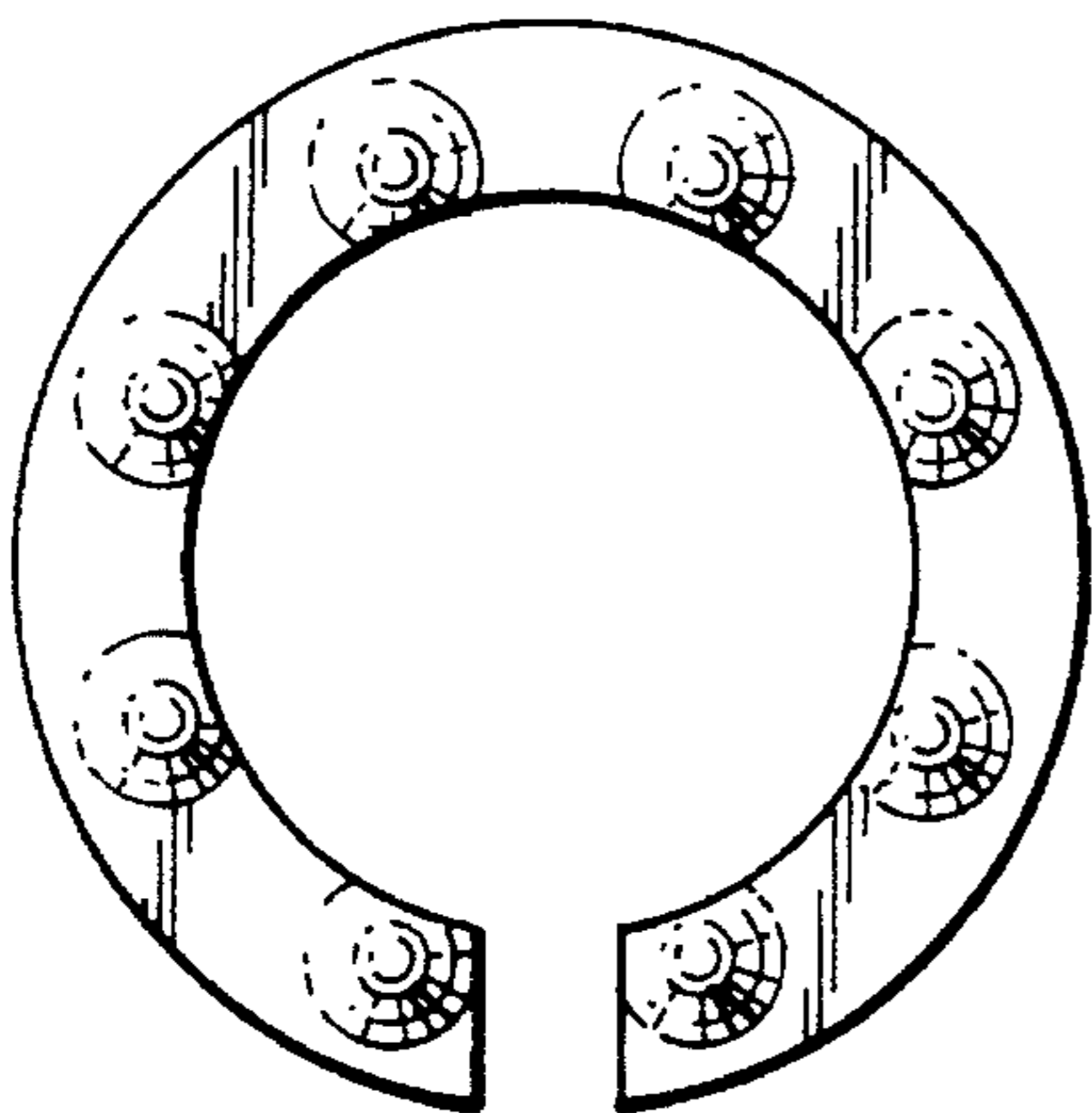


Fig. 3.

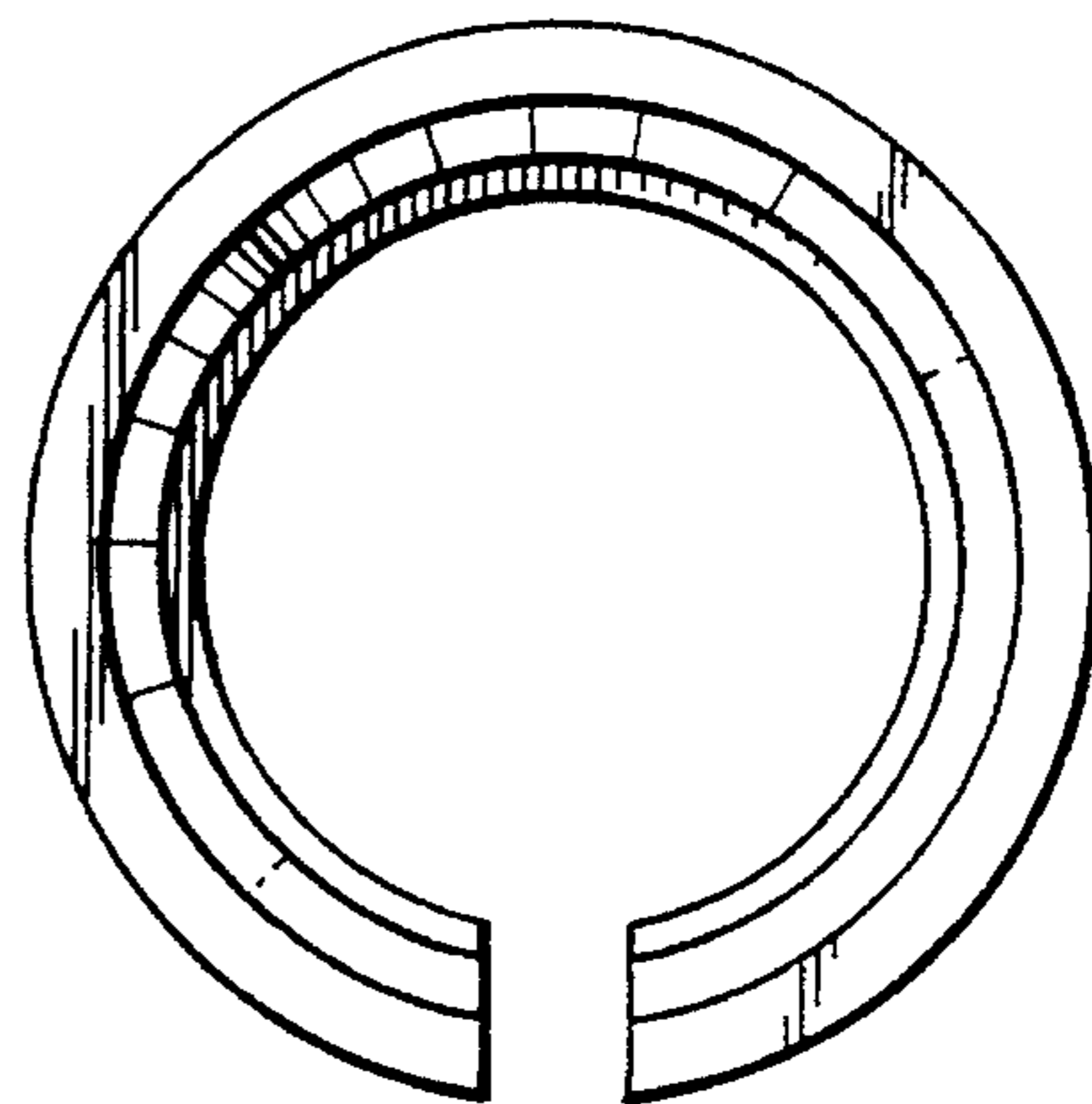


Fig. 4.