



US00D369844S

United States Patent [19] Dupuis

[11] Patent Number: **Des. 369,844**

[45] Date of Patent: ****May 14, 1996**

[54] **EXERCISE CYCLE FOR CHILDREN**

[76] Inventor: **John A. Dupuis**, 20 Fairview St., North Chelmsford, Mass. 01863

[**] Term: **14 Years**

[21] Appl. No.: **34,363**

[22] Filed: **Feb. 2, 1995**

[52] U.S. Cl. **D21/194**

[58] Field of Search D21/191, 192,
D21/194, 195; 482/57, 58, 59

D. 307,928	5/1990	Meisner	D21/194
D. 319,274	8/1991	Byrd et al.	D21/194
D. 319,480	8/1991	Byrd et al.	D21/194
4,895,362	1/1990	Ross .	
4,917,377	4/1990	Chen .	
5,035,417	7/1991	Ross .	

Primary Examiner—Philip S. Hyder

[57] CLAIM

The ornamental design for an exercise cycle for children, as shown and described.

DESCRIPTION

FIG. 1 is a front elevational view of the exercise cycle for children showing my new design; FIG. 2 is a rear elevational view thereof; FIG. 3 is a left side elevational view thereof; FIG. 4 is a right side elevational view thereof; FIG. 5 is a top plan view thereof; FIG. 6 is a bottom plan view thereof; and, FIG. 7 is a perspective view thereof.

1 Claim, 4 Drawing Sheets

[56] References Cited

U.S. PATENT DOCUMENTS

D. 250,135	10/1978	Mayski et al.	D21/194
D. 280,226	8/1985	Kasuba et al.	D21/194
D. 285,953	9/1986	Gustafsson	D21/194
D. 296,457	6/1988	Anitua	D21/194
D. 299,370	1/1989	McNeil	D21/194
D. 299,504	1/1989	Hong et al.	D21/194
D. 299,671	1/1989	Anitua	D21/194

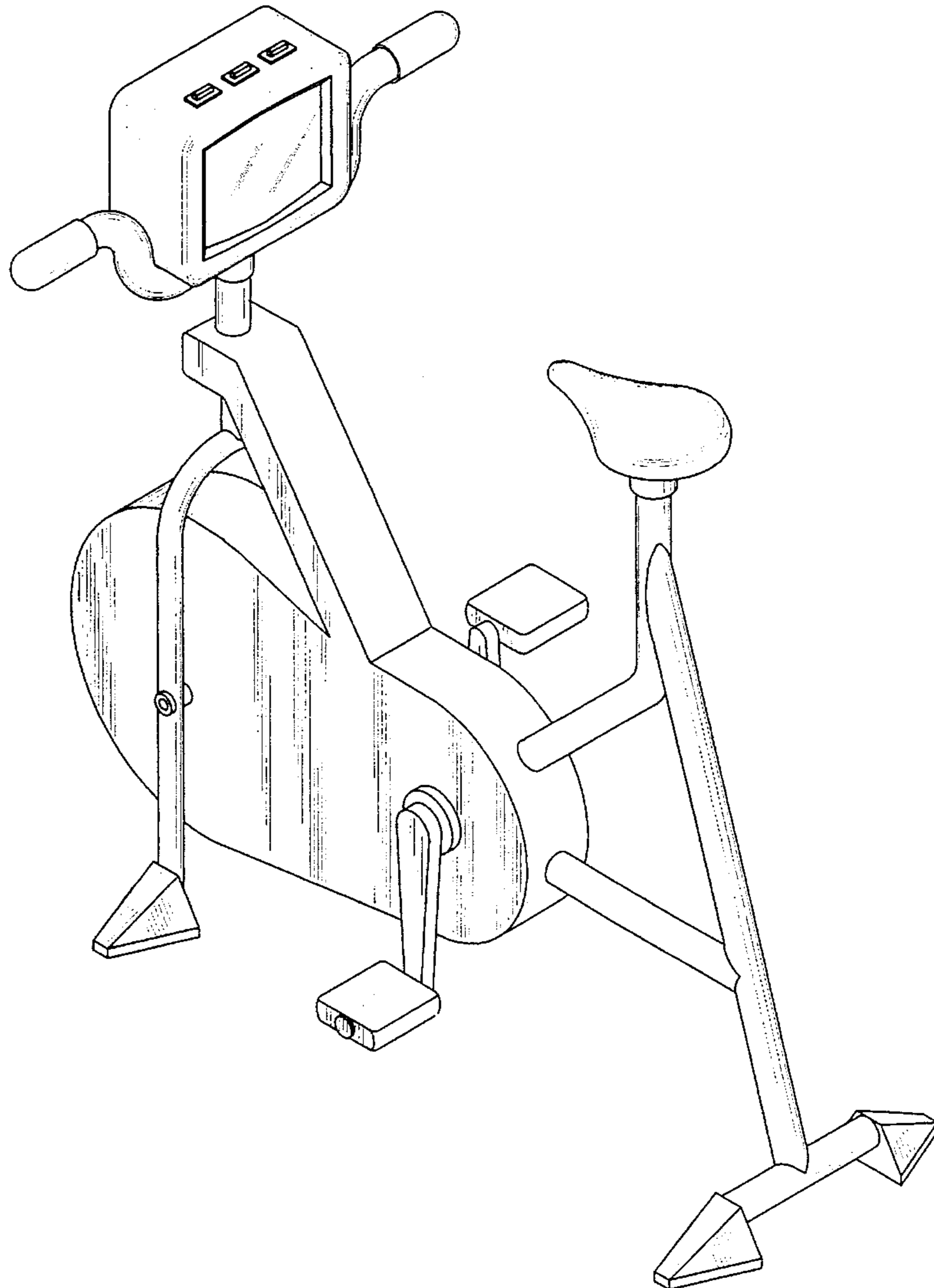


FIG. 1

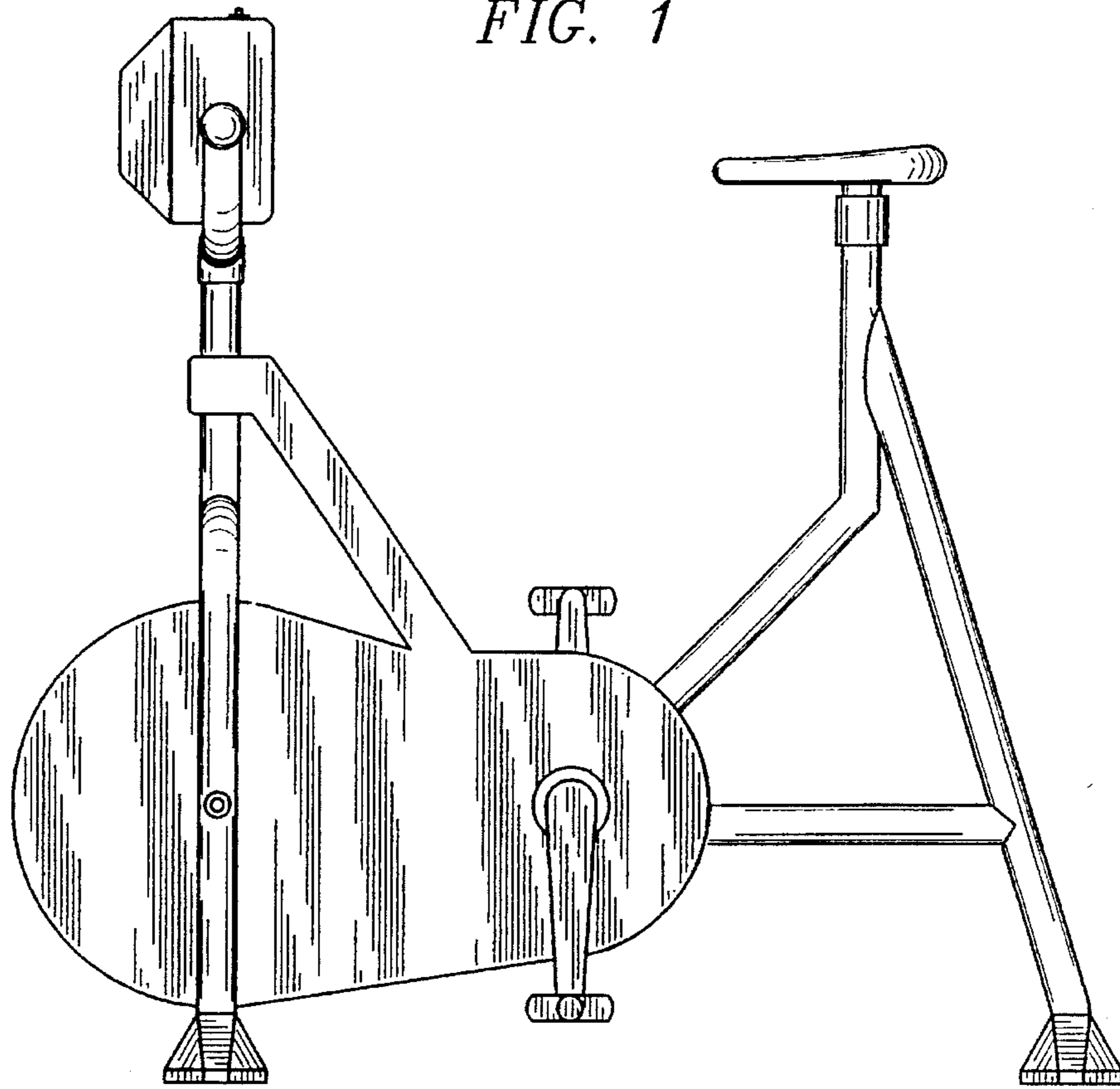


FIG. 2

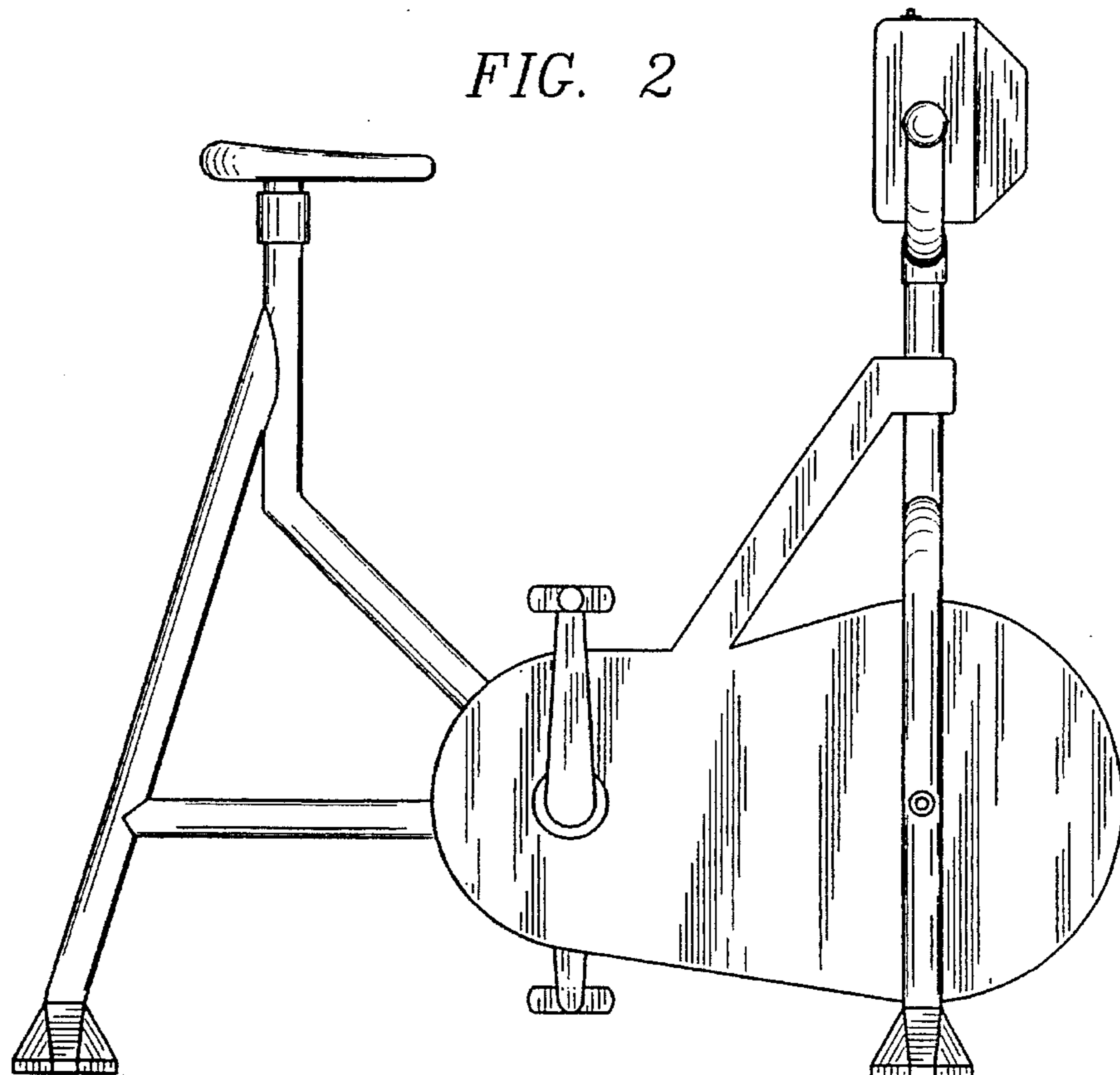


FIG. 3

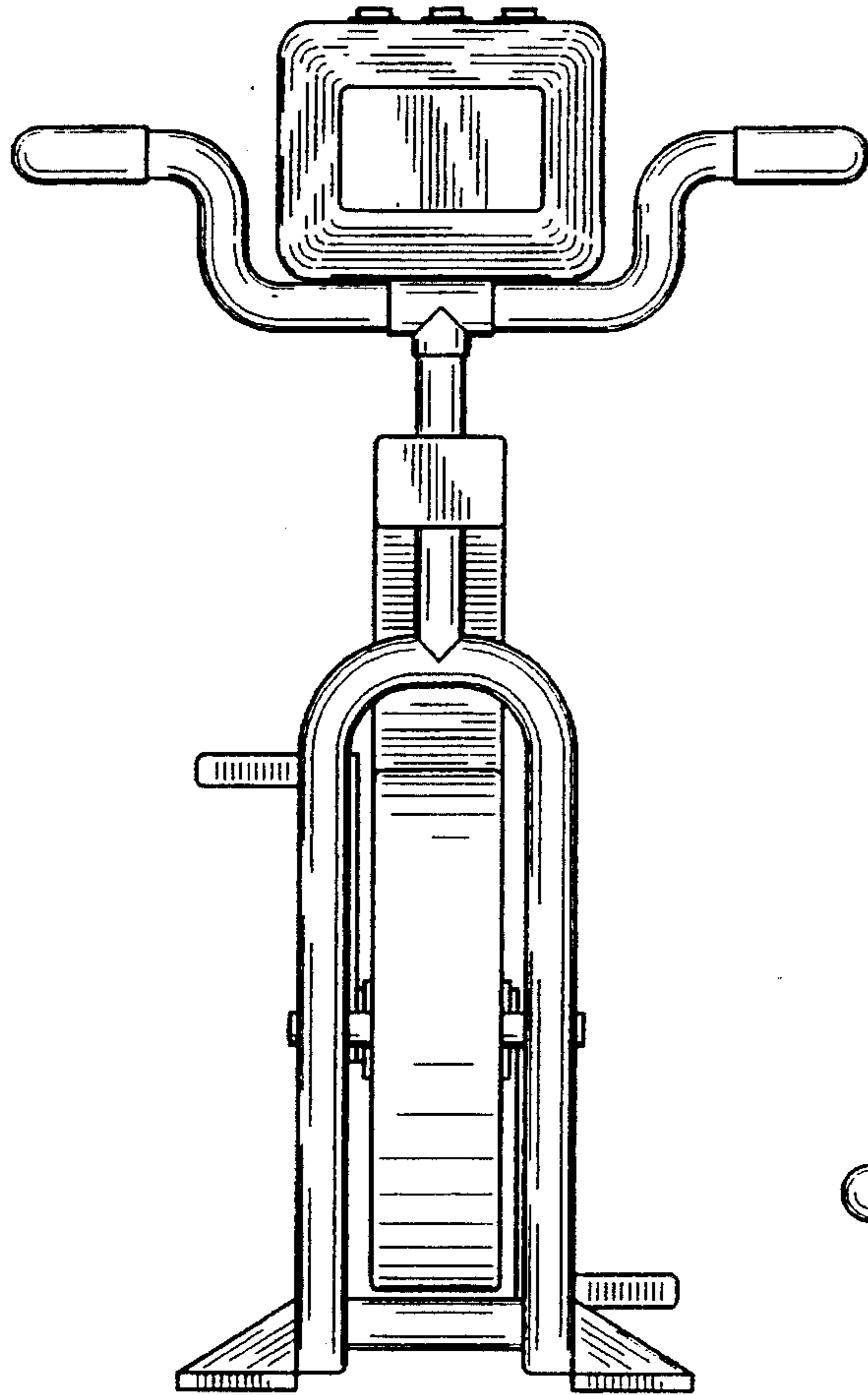


FIG. 4

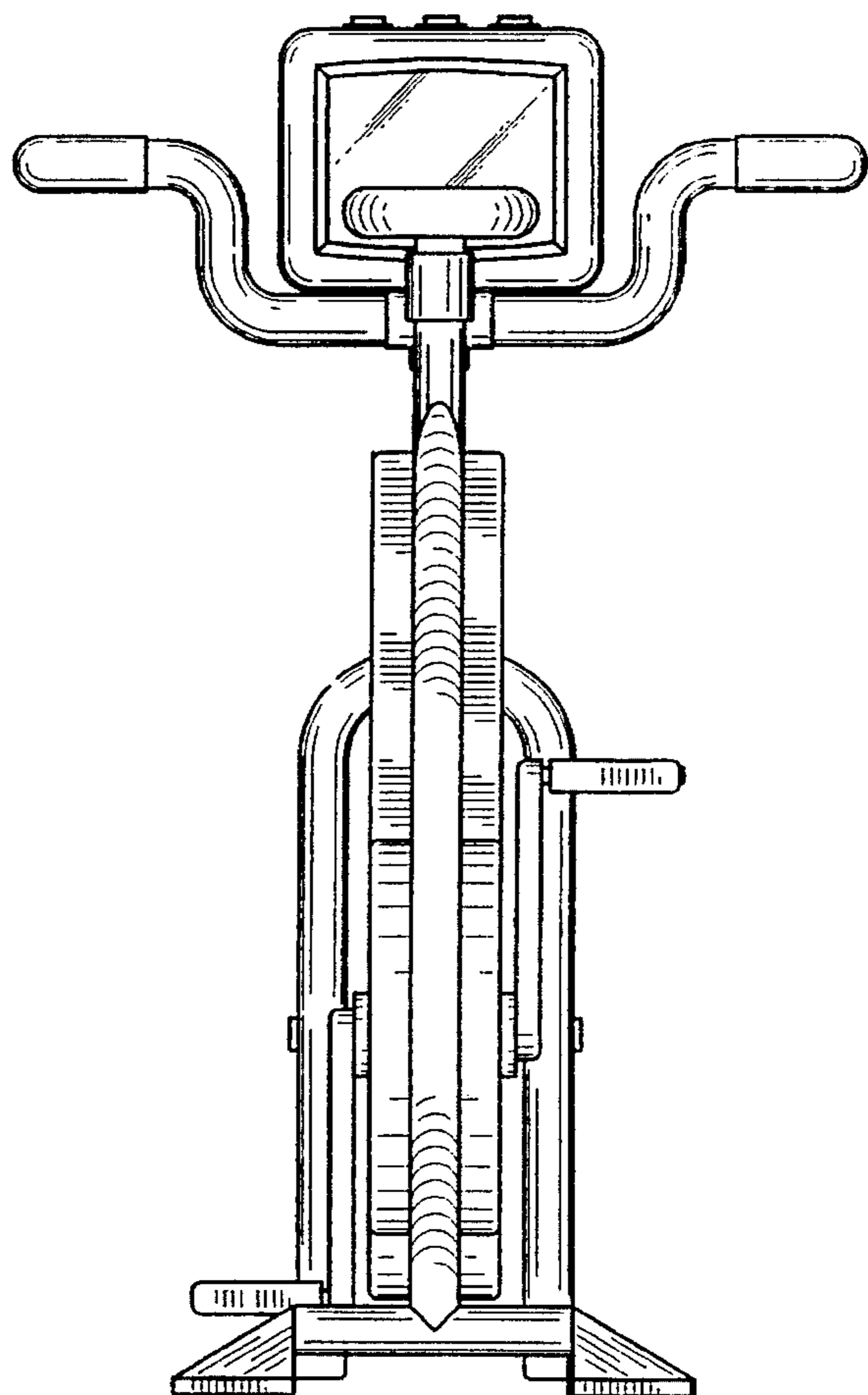


FIG. 5

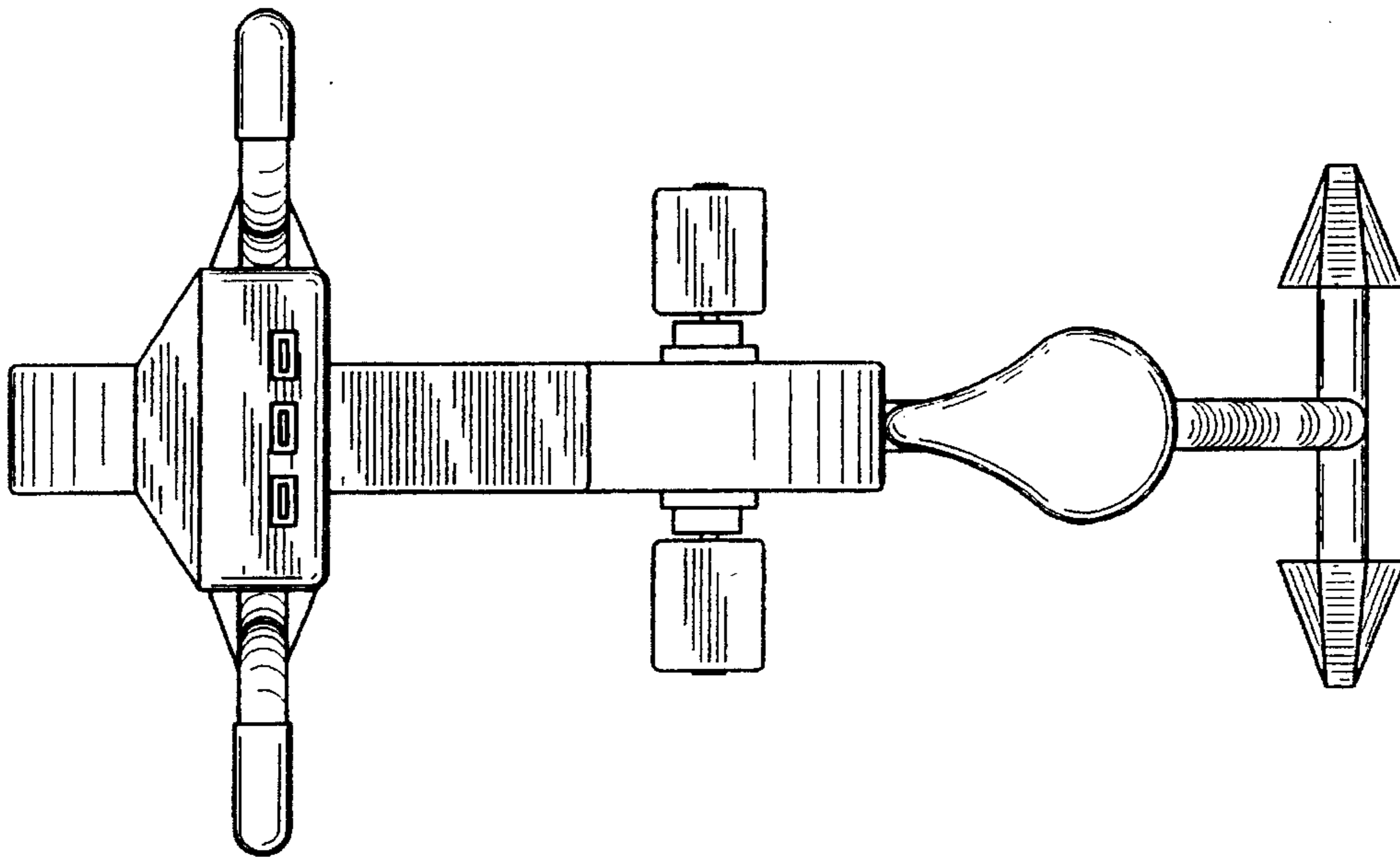


FIG. 6

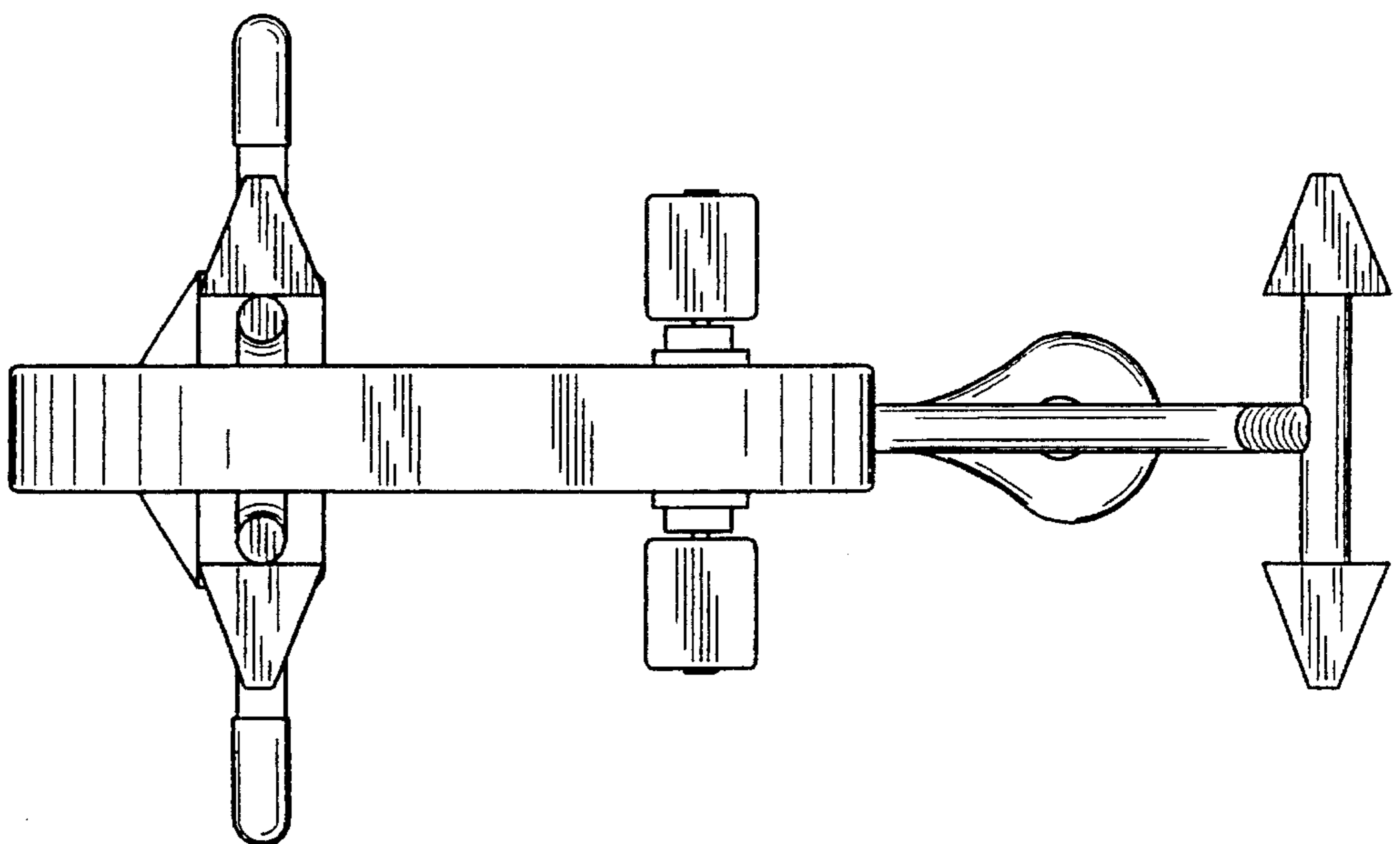


FIG. 7

