



US00D369842S

United States Patent [19] Gvoich

[11] Patent Number: **Des. 369,842**

[45] Date of Patent: ****May 14, 1996**

[54] **EXERCISE STEP**

5,352,176 10/1994 Huang 482/77
5,387,166 2/1995 Gvoich 482/77

[75] Inventor: **Ned Gvoich**, Beamsville, Canada

[73] Assignee: **Kor-One, Ltd.**, Tempe, Ariz.

[**] Term: **14 Years**

[21] Appl. No.: **35,129**

[22] Filed: **Feb. 21, 1995**

[52] U.S. Cl. **D21/191**

[58] Field of Search D21/191, 193;
482/51, 52, 26, 27, 77, 146

OTHER PUBLICATIONS

Gerstung—"Board" Apr., 1993.

Primary Examiner—Philip S. Hyder
Attorney, Agent, or Firm—Sand & Sebolt

[57] **CLAIM**

The ornamental design for an exercise step, as shown and described.

DESCRIPTION

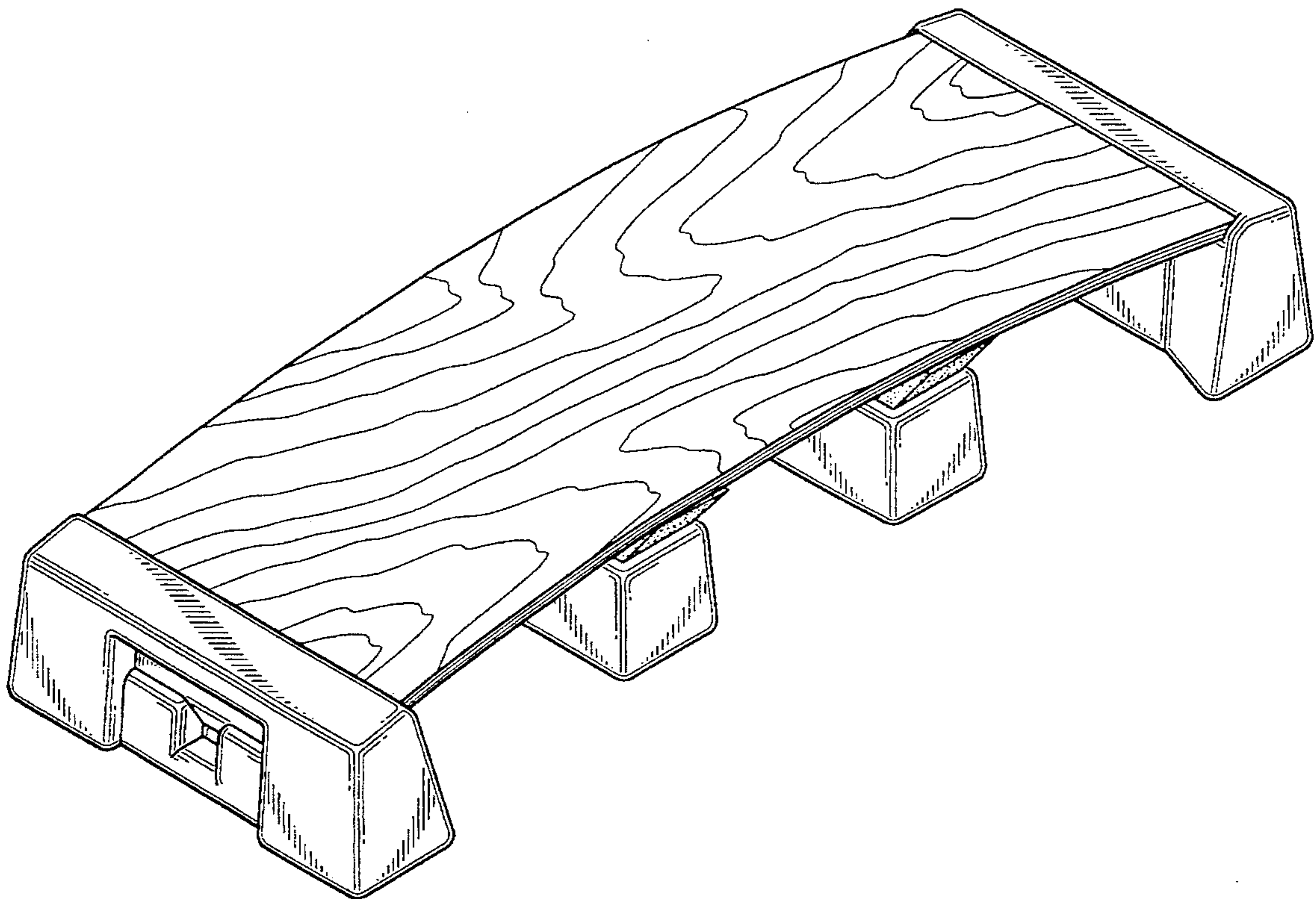
FIG. 1 is a top perspective view of an exercise step;
FIG. 2 is a bottom perspective view of the exercise step of FIG. 1;
FIG. 3 is a top plan view of FIG. 1;
FIG. 4 is a front elevational view of FIG. 1, the rear being a mirror image;
FIG. 5 is a right side elevational view of FIG. 3, the left side being a mirror image; and,
FIG. 6 is a bottom plan view of FIG. 3.

1 Claim, 4 Drawing Sheets

[56] **References Cited**

U.S. PATENT DOCUMENTS

D. 339,179	7/1993	Wilkinson	D21/191
D. 342,298	12/1993	Schnabel et al.	D21/191
4,199,136	4/1980	Mansfield	482/26
4,360,197	11/1982	Palmer	482/26
4,426,076	1/1984	Palmer	482/26
5,118,095	6/1992	Flor	482/52
5,158,512	10/1992	Irwin et al.	482/52
5,277,675	1/1994	Shifferaw	482/52
5,290,210	3/1994	Hand et al.	492/51



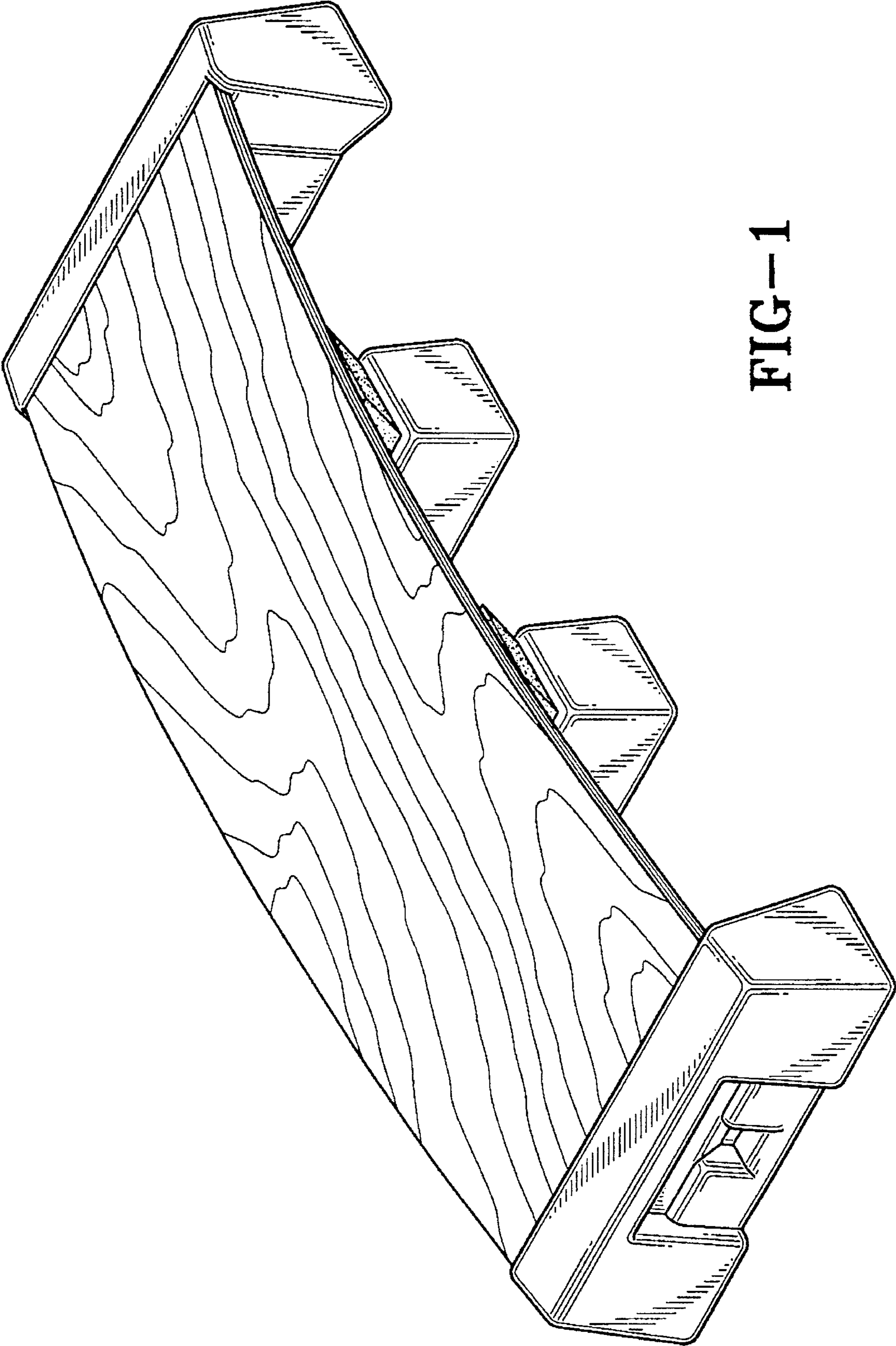
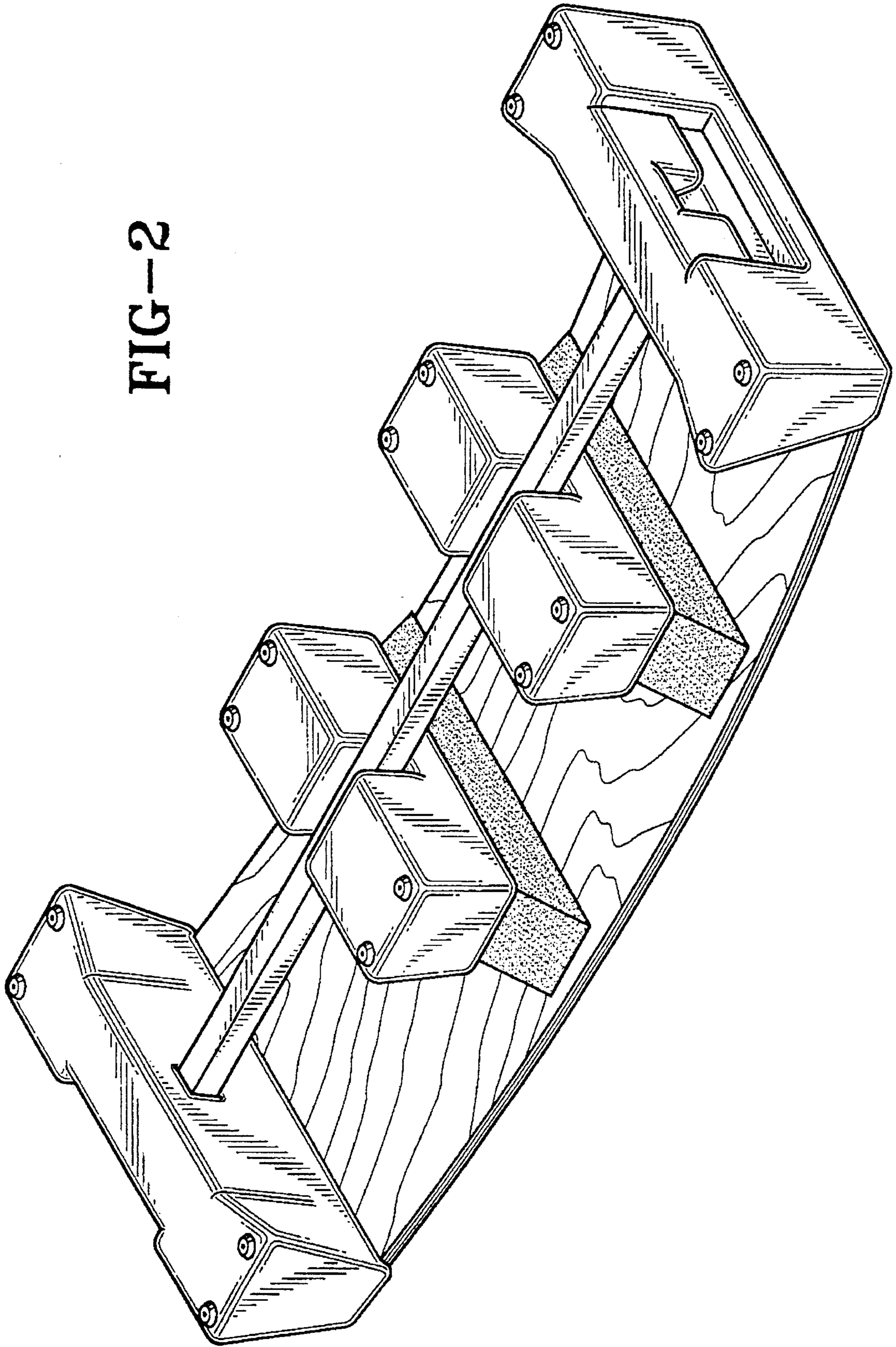


FIG-1

FIG-2



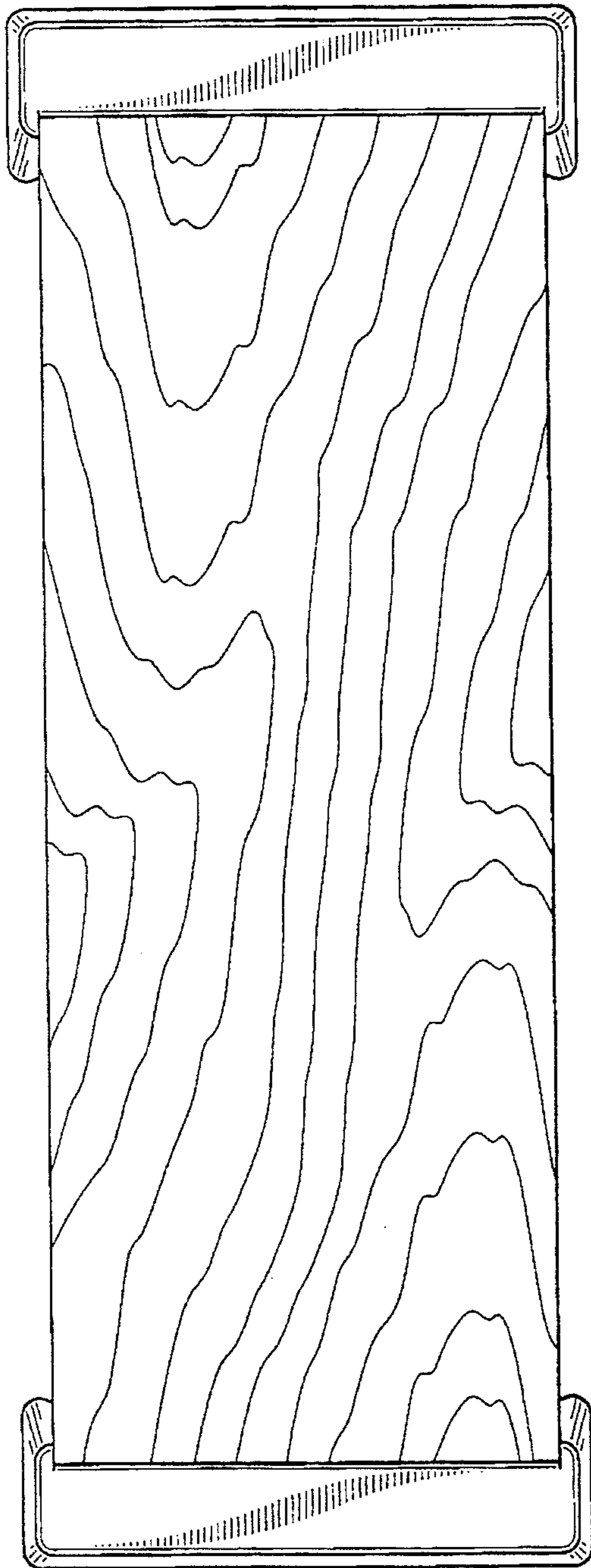


FIG-3

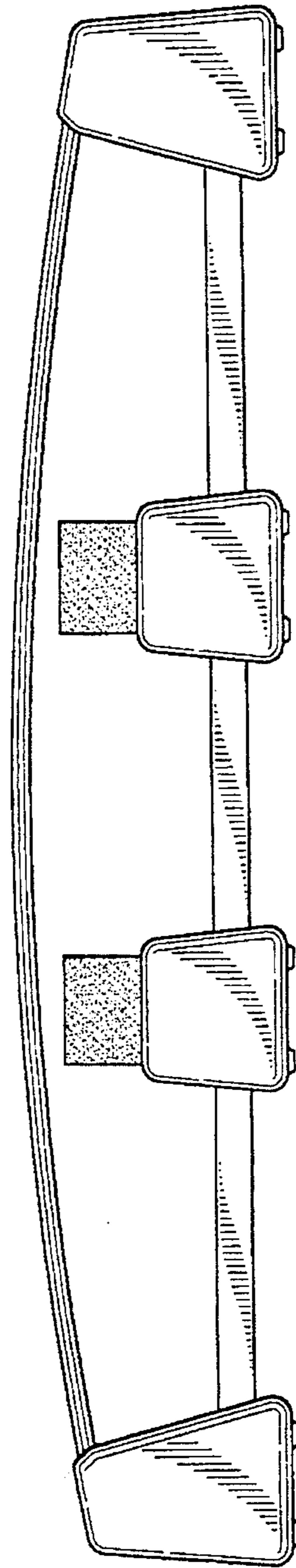


FIG-4

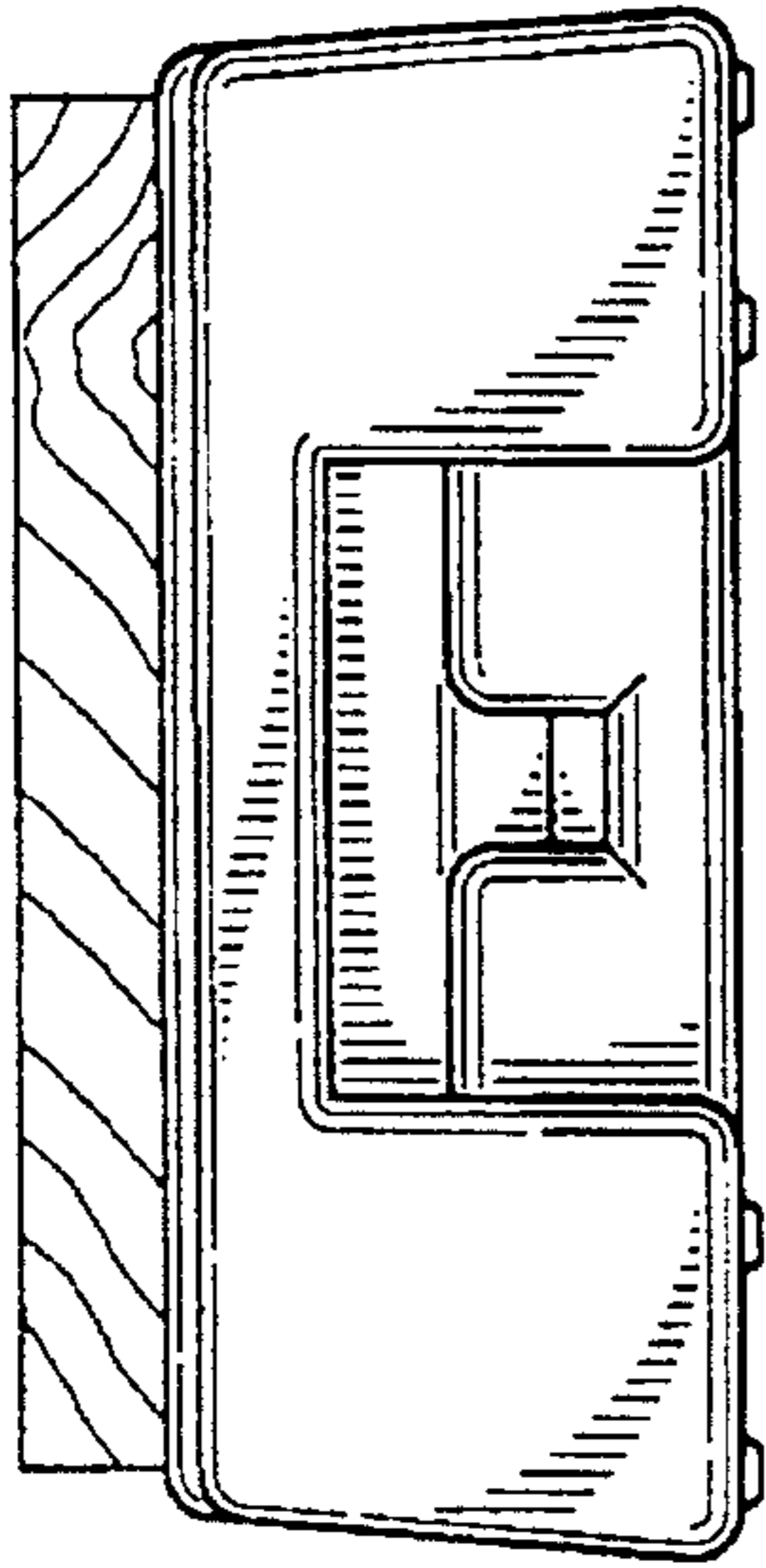


FIG-5

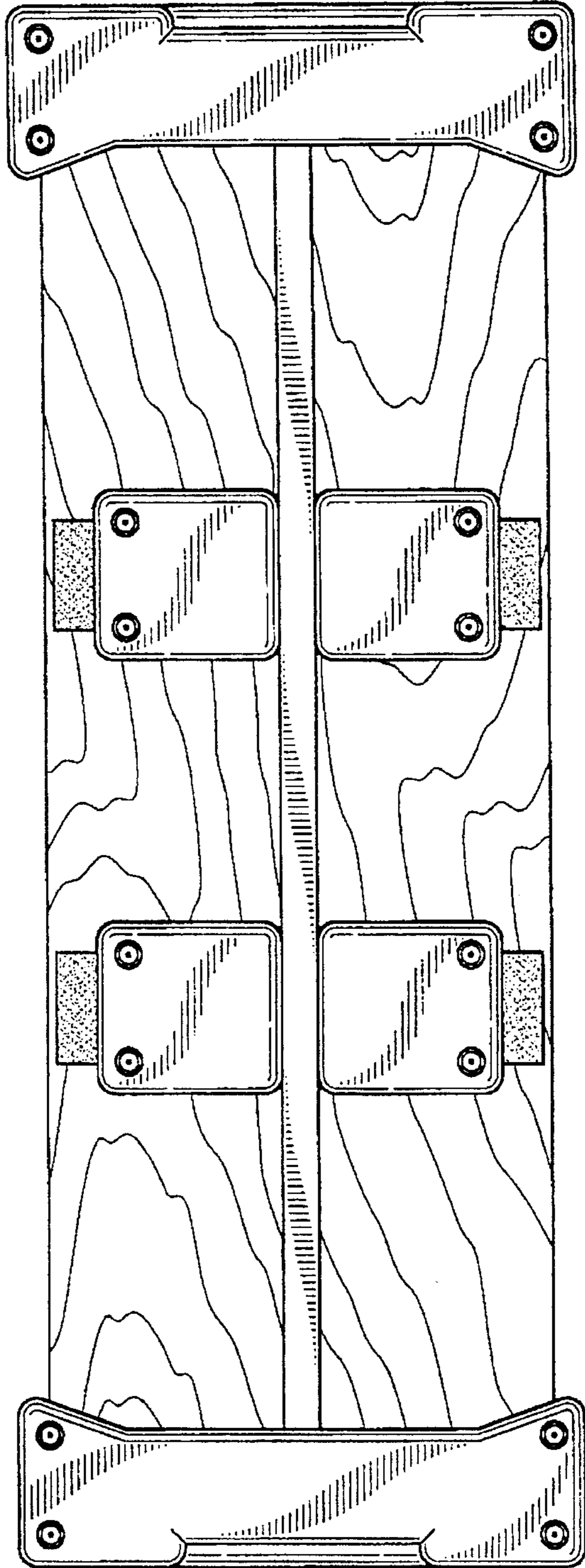


FIG-6