



US00D369838S

United States Patent [19]

[11] Patent Number: **Des. 369,838**

Hatting et al.

[45] Date of Patent: ****May 14, 1996**

[54] **TOY BUILDING ELEMENT**

[75] Inventors: **Jan Hatting; Ole V. Poulsen**, both of Vejle, Denmark

[73] Assignee: **Interlego AG**, Switzerland

[**] Term: **14 Years**

[21] Appl. No.: **29,156**

[22] Filed: **Sep. 29, 1994**

[52] U.S. Cl. **D21/108**

[58] Field of Search D21/108, 124;
446/103, 104, 121, 128

[56] **References Cited**

U.S. PATENT DOCUMENTS

D. 329,473	9/1992	Pagel	D21/108
D. 330,055	10/1992	Jamros	D21/108
D. 352,746	11/1994	Hatting	D21/108
D. 360,000	7/1995	Hatting et al.	D21/108
D. 360,240	7/1995	Hatting et al.	D21/108

Primary Examiner—Ted Shooman

Assistant Examiner—R. Barkai

Attorney, Agent, or Firm—Kane, Dalsimer, Sullivan, Kurucz, Levy, Eisele and Richard

[57] **CLAIM**

The ornamental design for a toy building element, as shown and described.

DESCRIPTION

FIG. 1 is a top perspective view of the toy building element showing our new design;

FIG. 2 is a bottom perspective view thereof;

FIG. 3 is a right side elevational view thereof;

FIG. 4 is a front elevational view thereof;

FIG. 5 is a left side elevational view thereof;

FIG. 6 is a rear elevational view thereof; and,

FIG. 7 is a top plan view thereof, the bottom plan view being a mirror image.

1 Claim, 1 Drawing Sheet

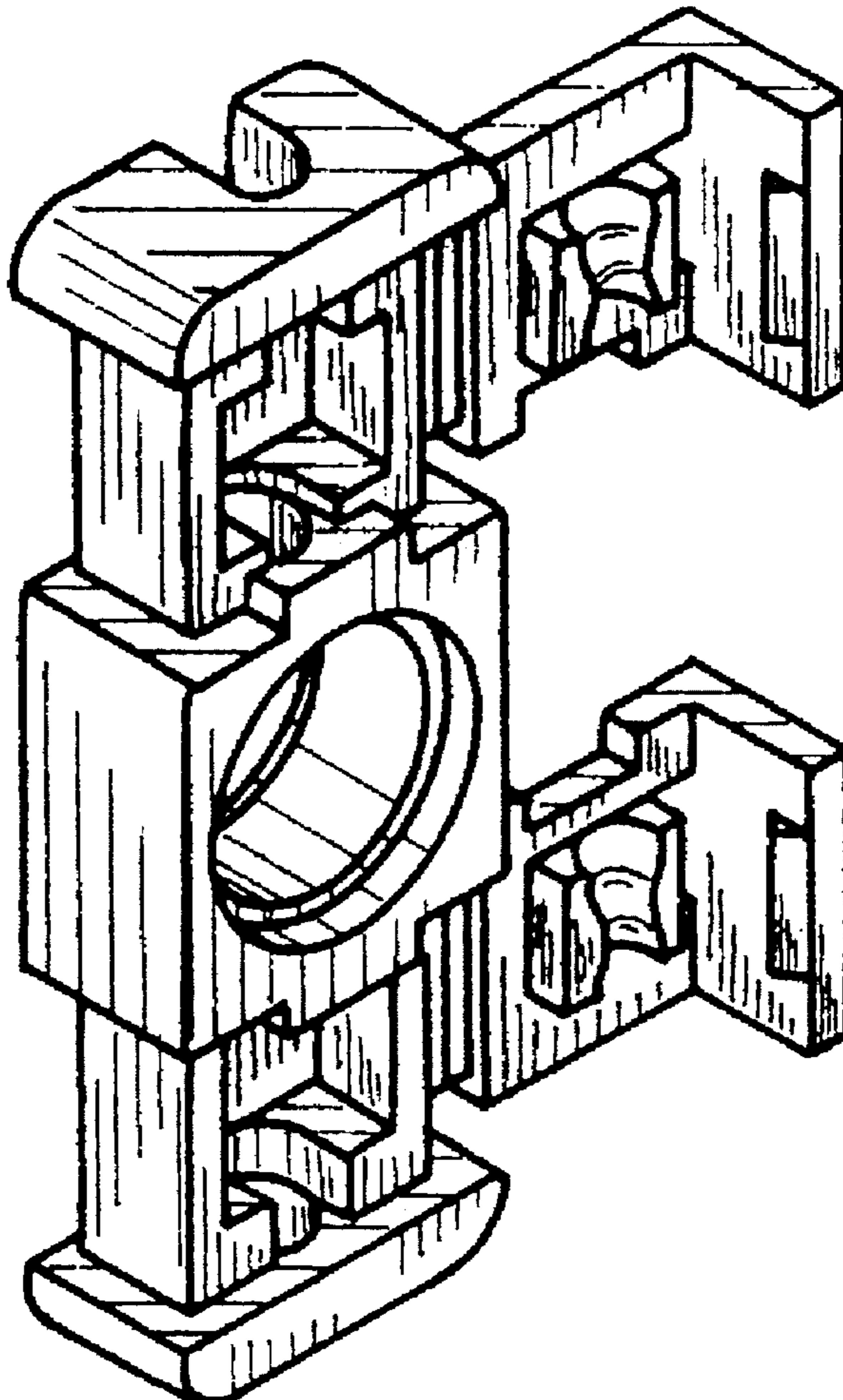




FIG. 6

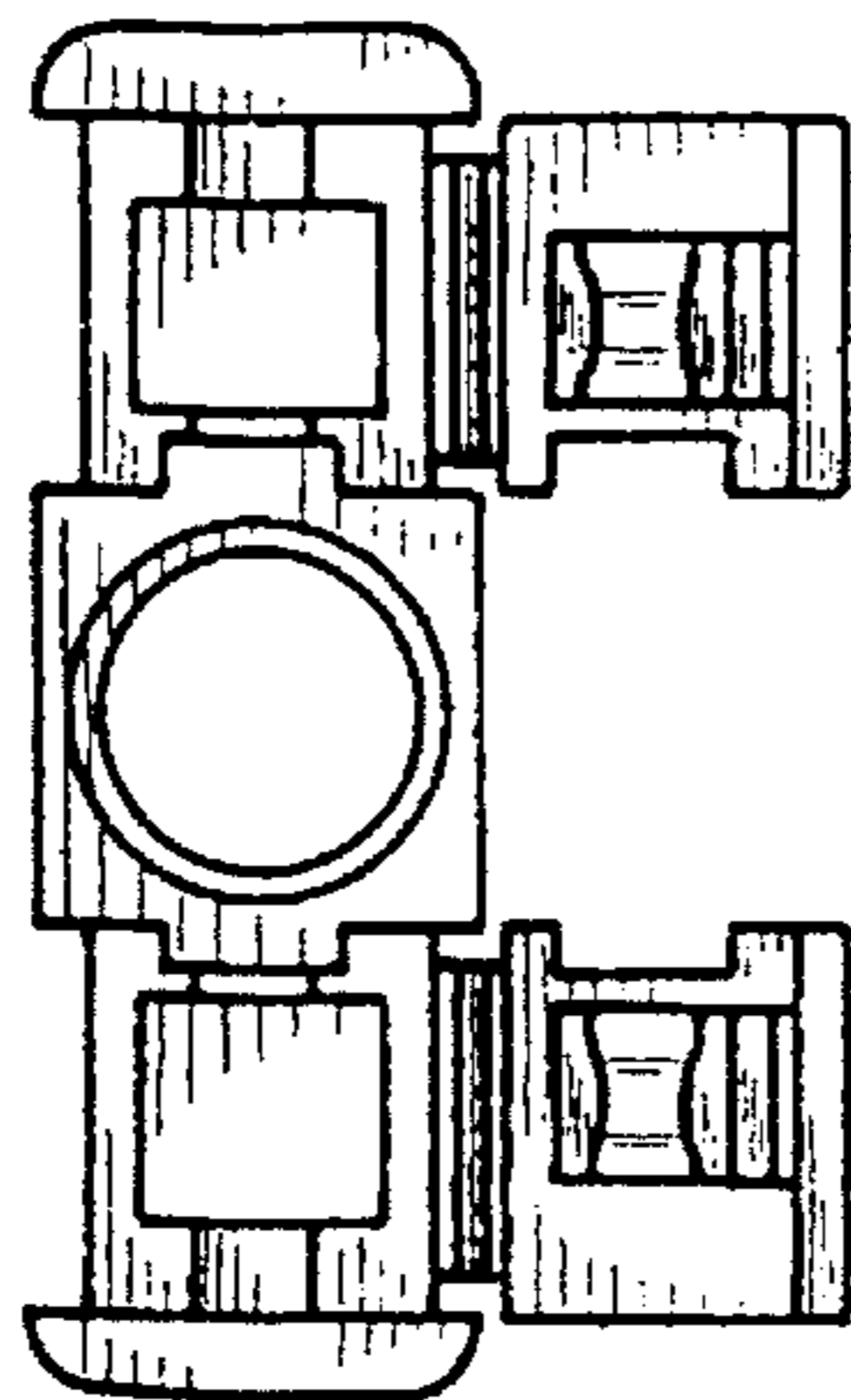


FIG. 5

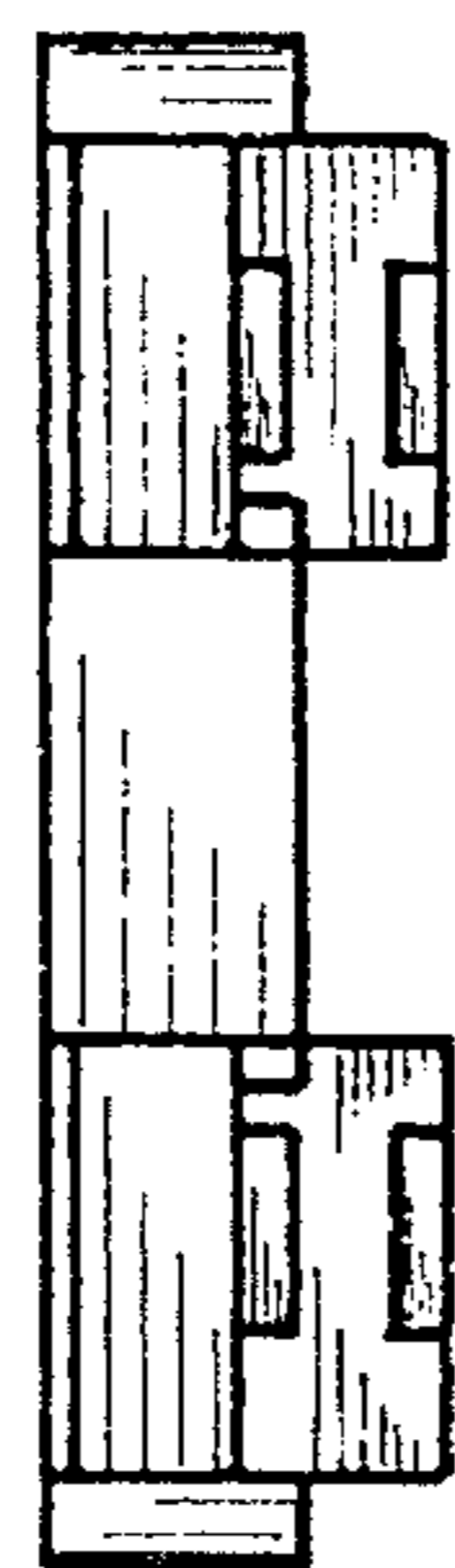


FIG. 4

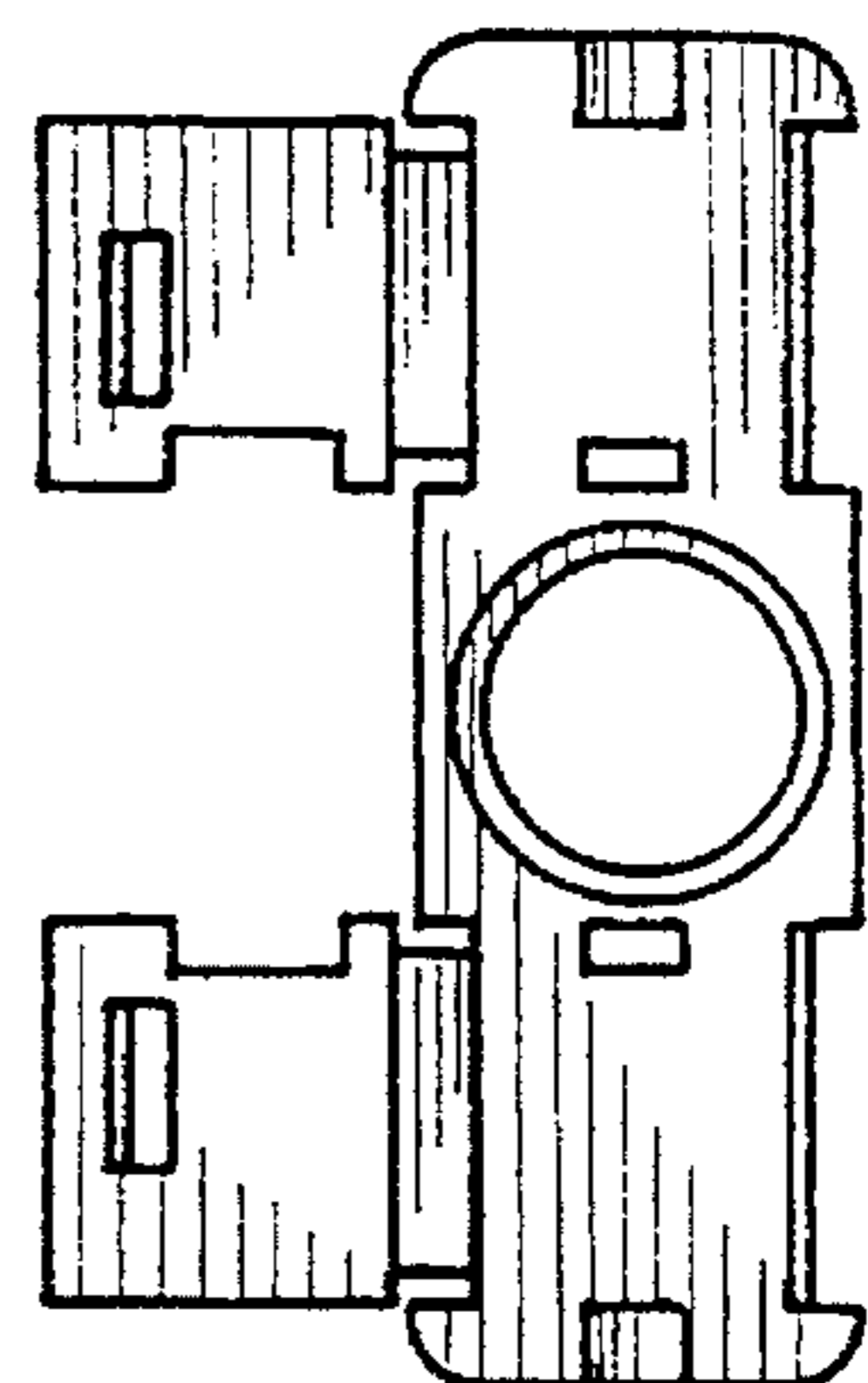


FIG. 3

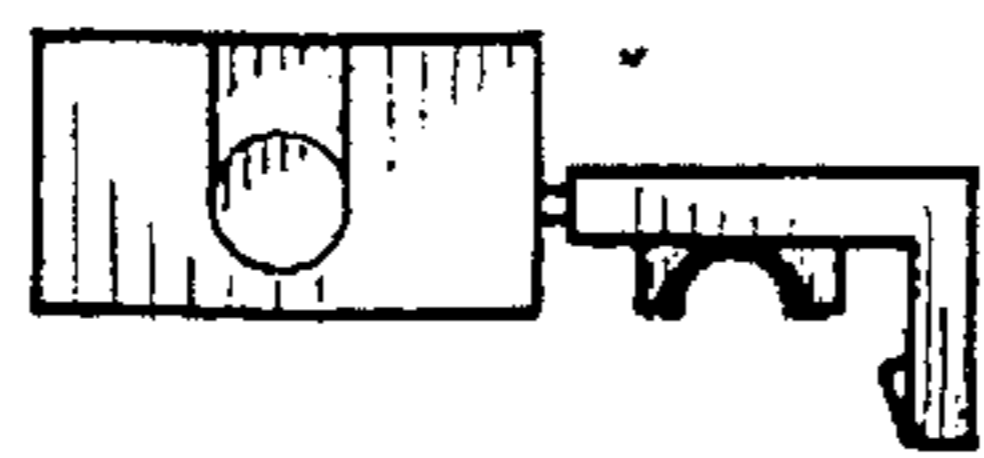


FIG. 7

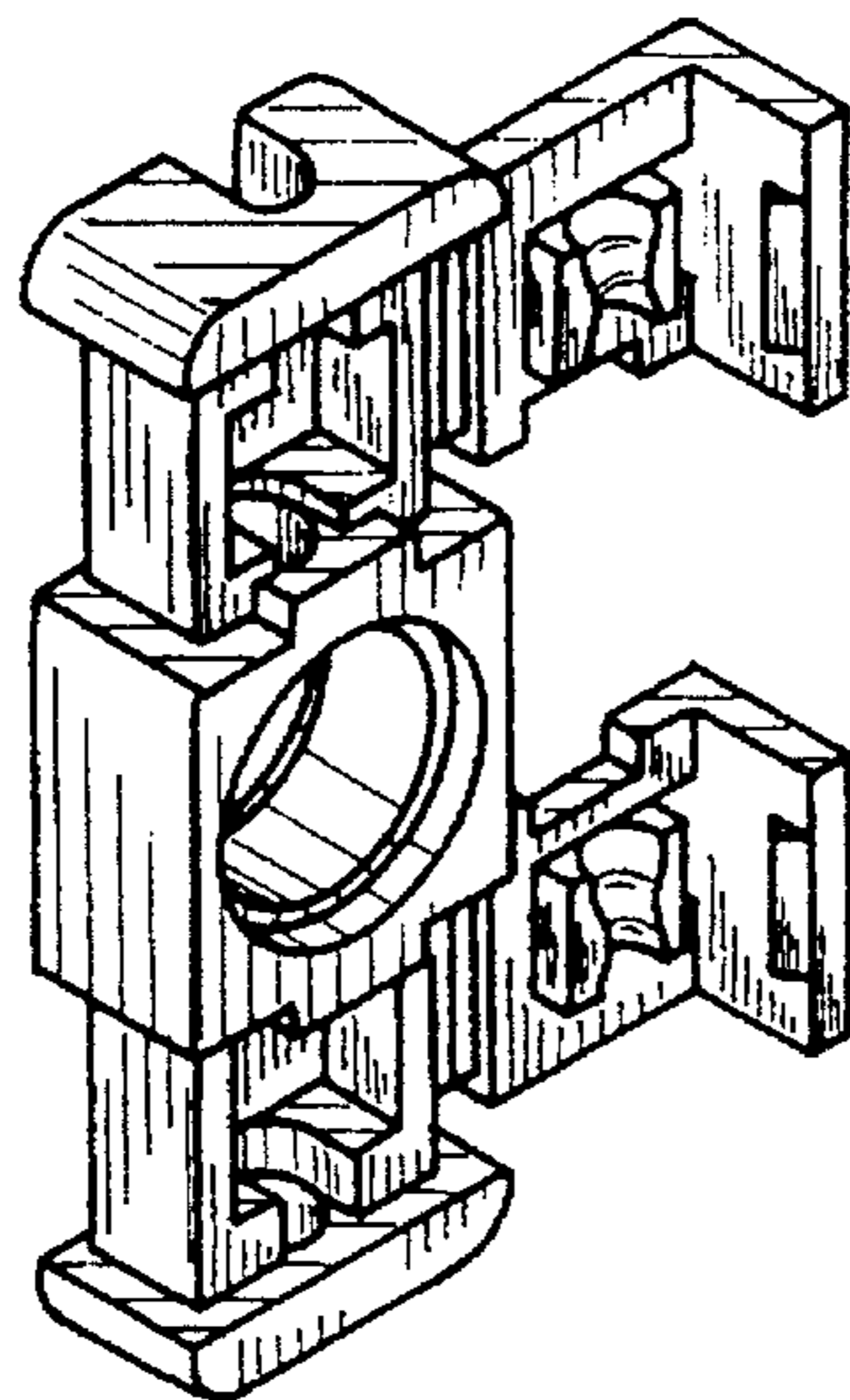


FIG. 1

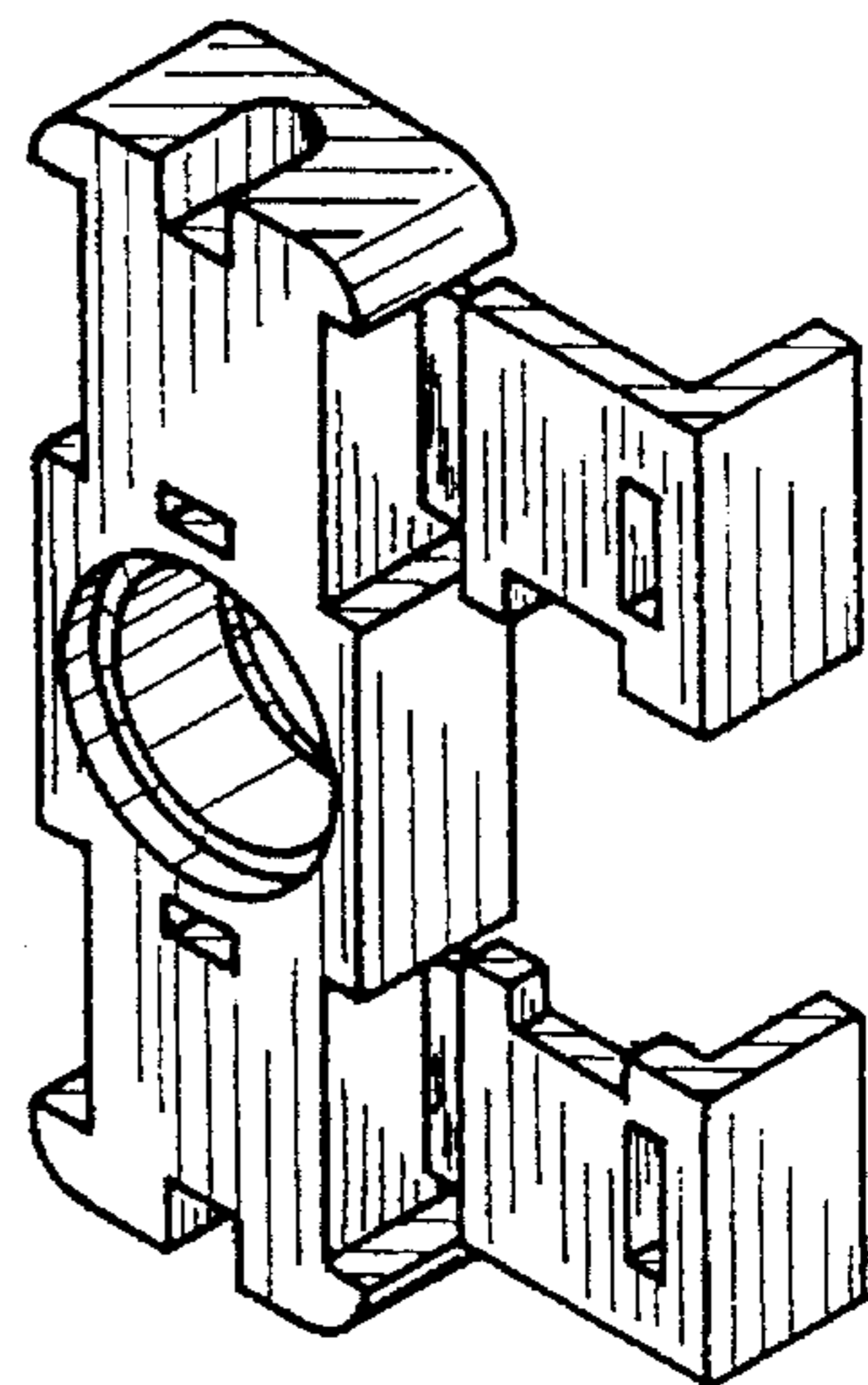


FIG. 2