



US00D369837S

# United States Patent [19]

Kino

[11] Patent Number: **Des. 369,837**

[45] Date of Patent: **\*\*May 14, 1996**

[54] **TOY SAND WHEEL**

[75] Inventor: **Moriya Kino**, Yokohama, Japan

[73] Assignee: **Royal Co., Ltd.**, Japan

[\*\*] Term: **14 Years**

[21] Appl. No.: **34,046**

[22] Filed: **Jan. 26, 1995**

### [30] Foreign Application Priority Data

Aug. 5, 1994 [JP] Japan ..... 6-23696

[52] U.S. Cl. .... **D21/59**; 446/166

[58] Field of Search ..... D21/59, 92; 446/70,  
446/166, 167; D7/667

### [56] References Cited

#### U.S. PATENT DOCUMENTS

D. 355,938	2/1995	Kino	.....	D21/59
996,793	7/1911	Pickett	.....	446/166
1,055,266	3/1913	Gibson	.....	446/166
1,247,145	11/1917	Petrie	.....	446/166
2,491,706	12/1949	Borza et al.	.....	446/166
5,460,561	10/1995	Dahlgren	.....	446/70 X

#### OTHER PUBLICATIONS

"Sunny Park" catalogue, issued Jun. 1993-1994 by Royal Co., Ltd.

A catalogue issued 1993 by Early Learning Centre.

A catalogue issued 1989/1990 by HP.PLAST.

A catalogue issued 1988-1989 by Bambola.

Playthings; Dec. 1963; p. 84; Sandbox Toy.

*Primary Examiner*—Dominic Simone

*Attorney, Agent, or Firm*—Ostrolenk, Faber, Gerb & Soffen

### [57] CLAIM

The ornamental design for a toy sand wheel, as shown and described.

### DESCRIPTION

FIG. 1 is a front elevational view of a toy sand wheel showing my new design, the rear being a mirror image;

FIG. 2 is a left side elevational view thereof;

FIG. 3 is a right side elevational view thereof;

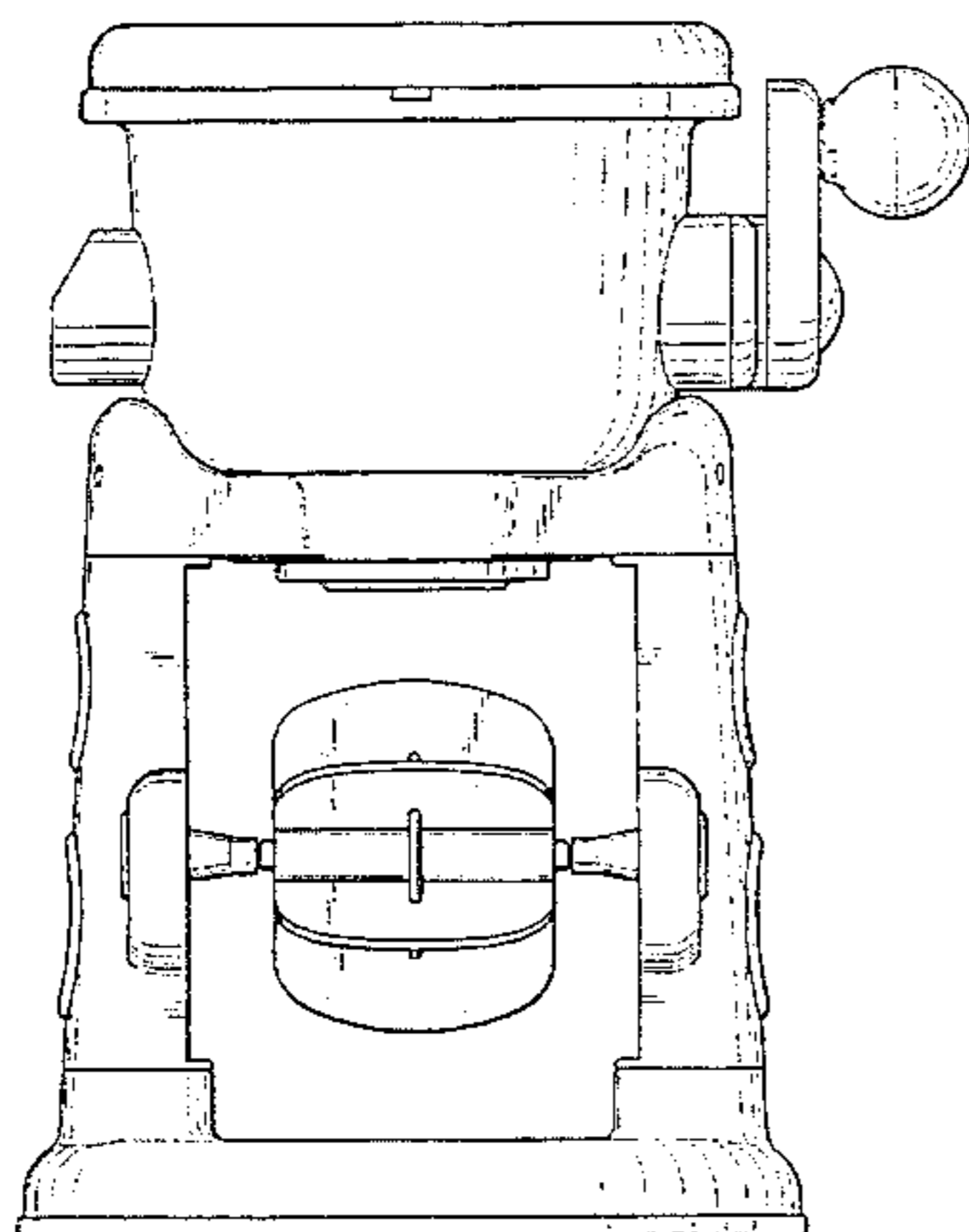
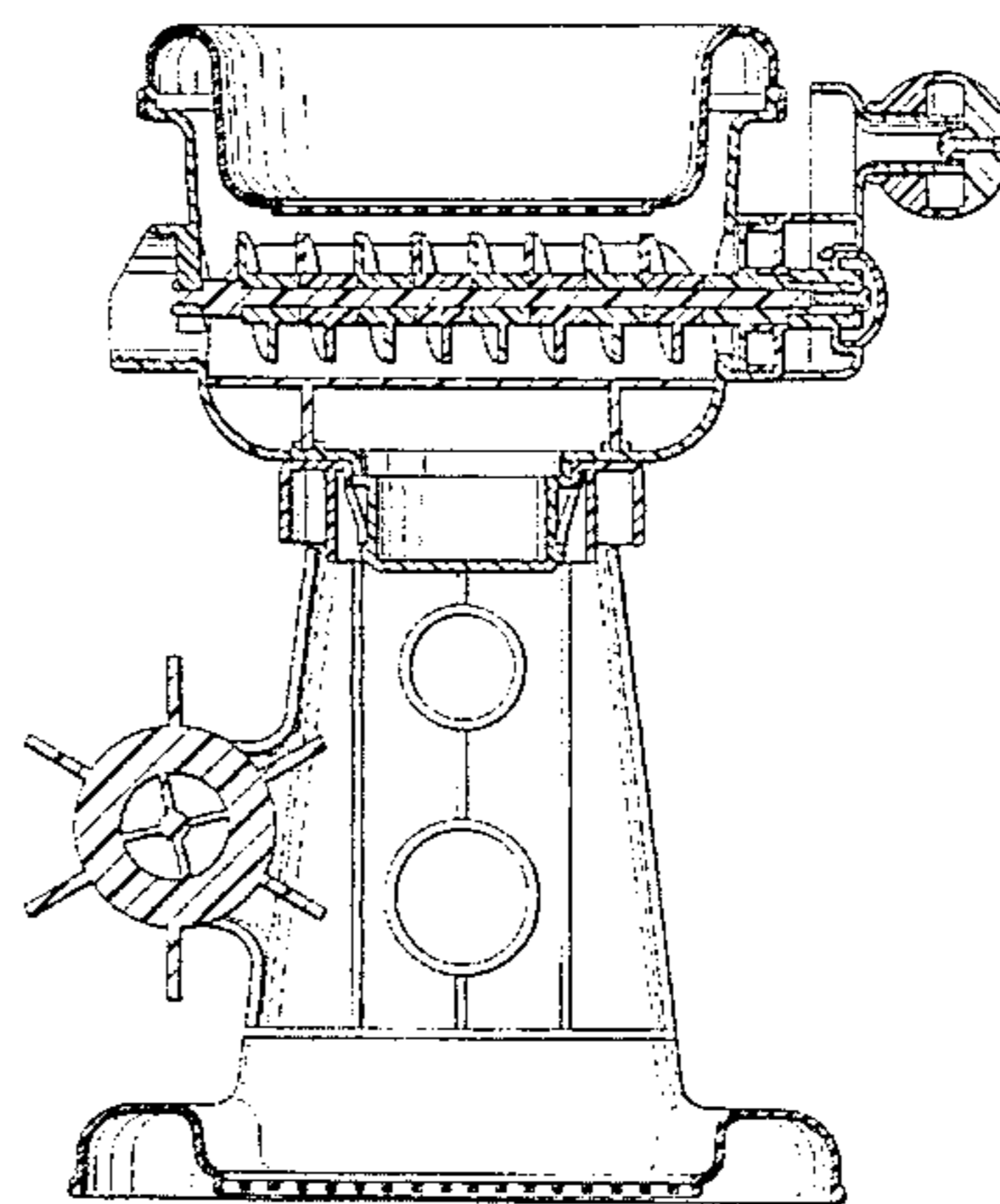
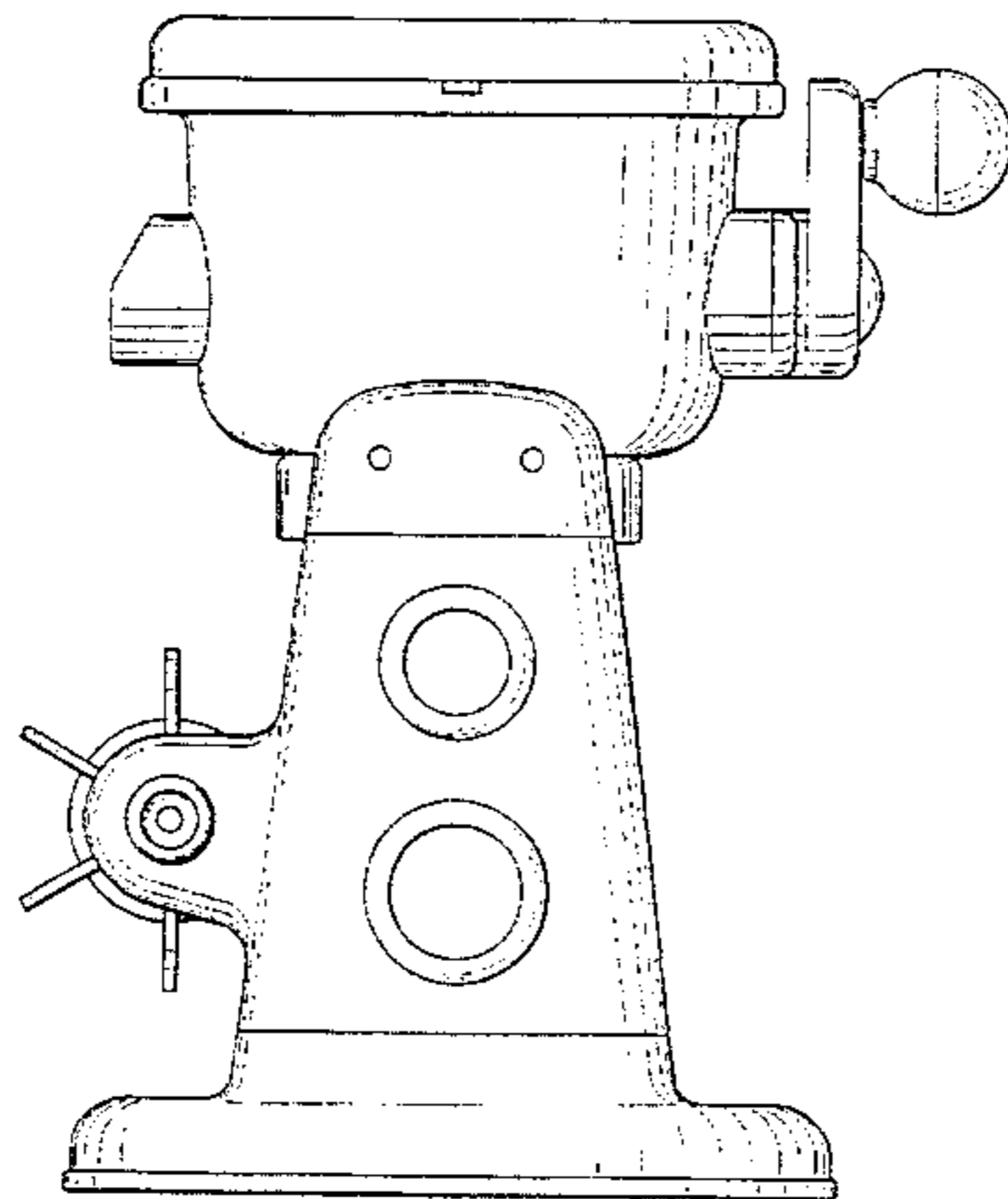
FIG. 4 is a top plan view thereof;

FIG. 5 is a bottom plan view thereof;

FIG. 6 is a section view taken in the direction of the arrows on the line VI—VI of FIG 2; and,

FIG. 7 is a left side elevational view thereof in an operating condition.

**1 Claim, 7 Drawing Sheets**



*Fig. 1*

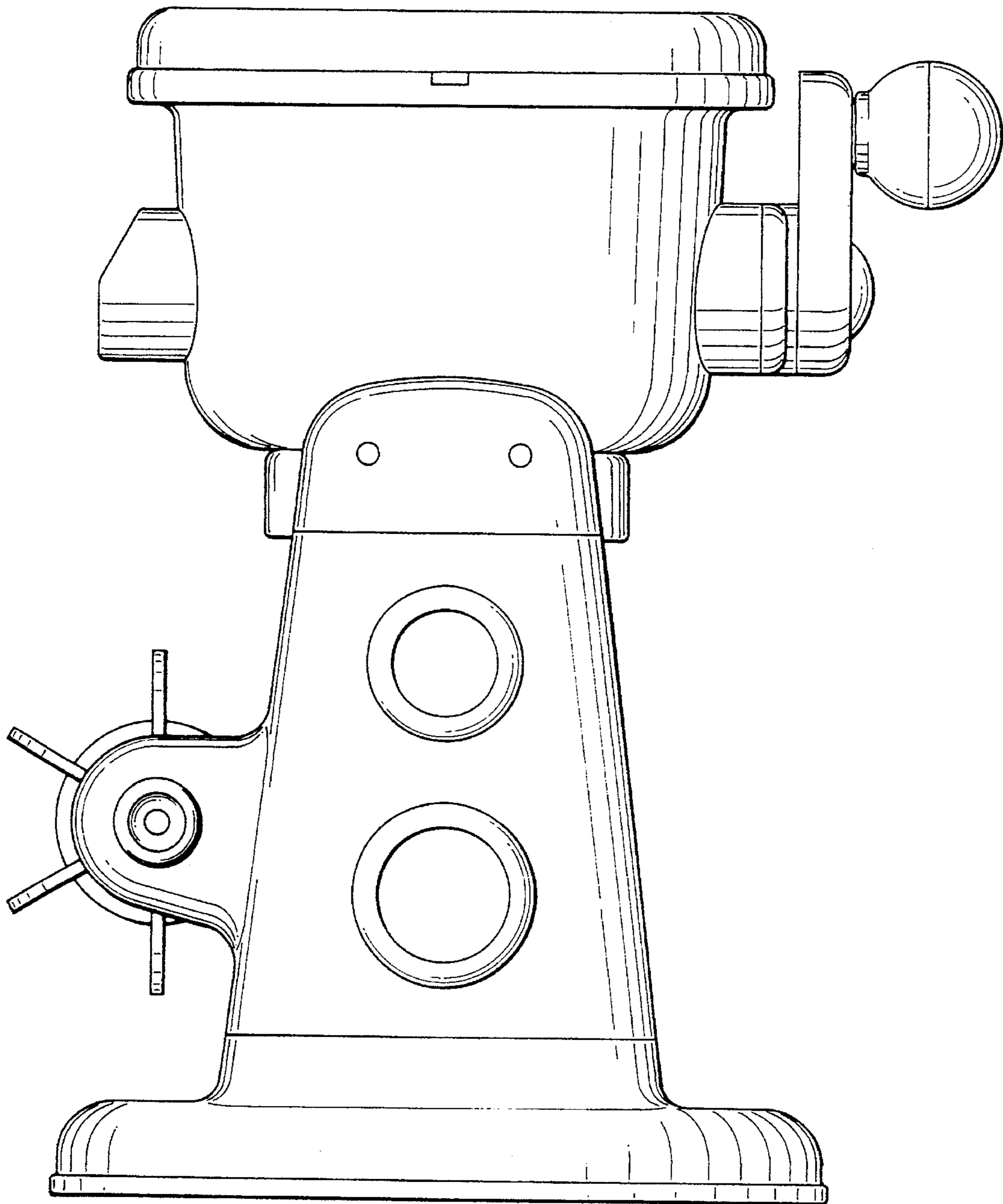
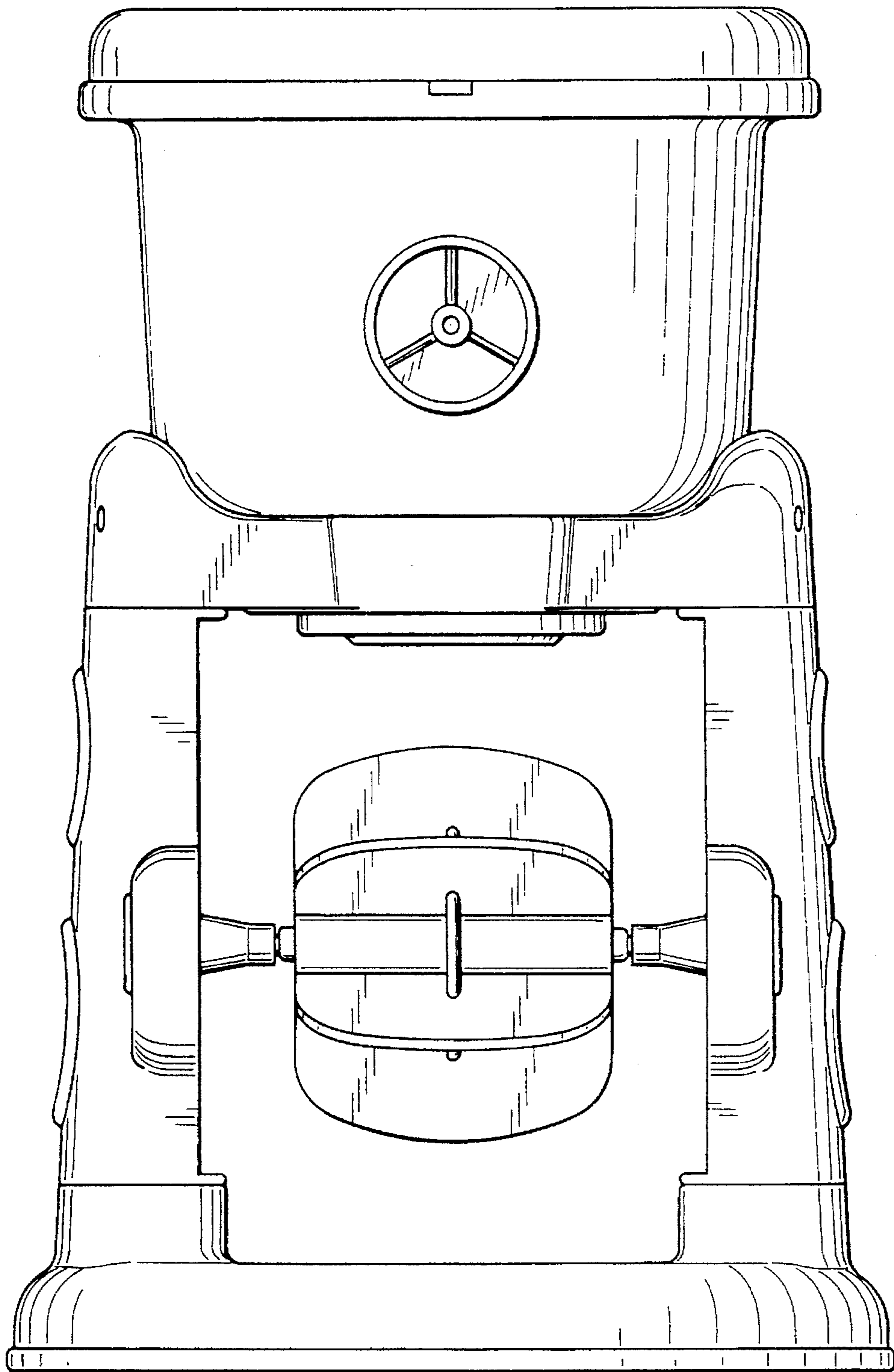


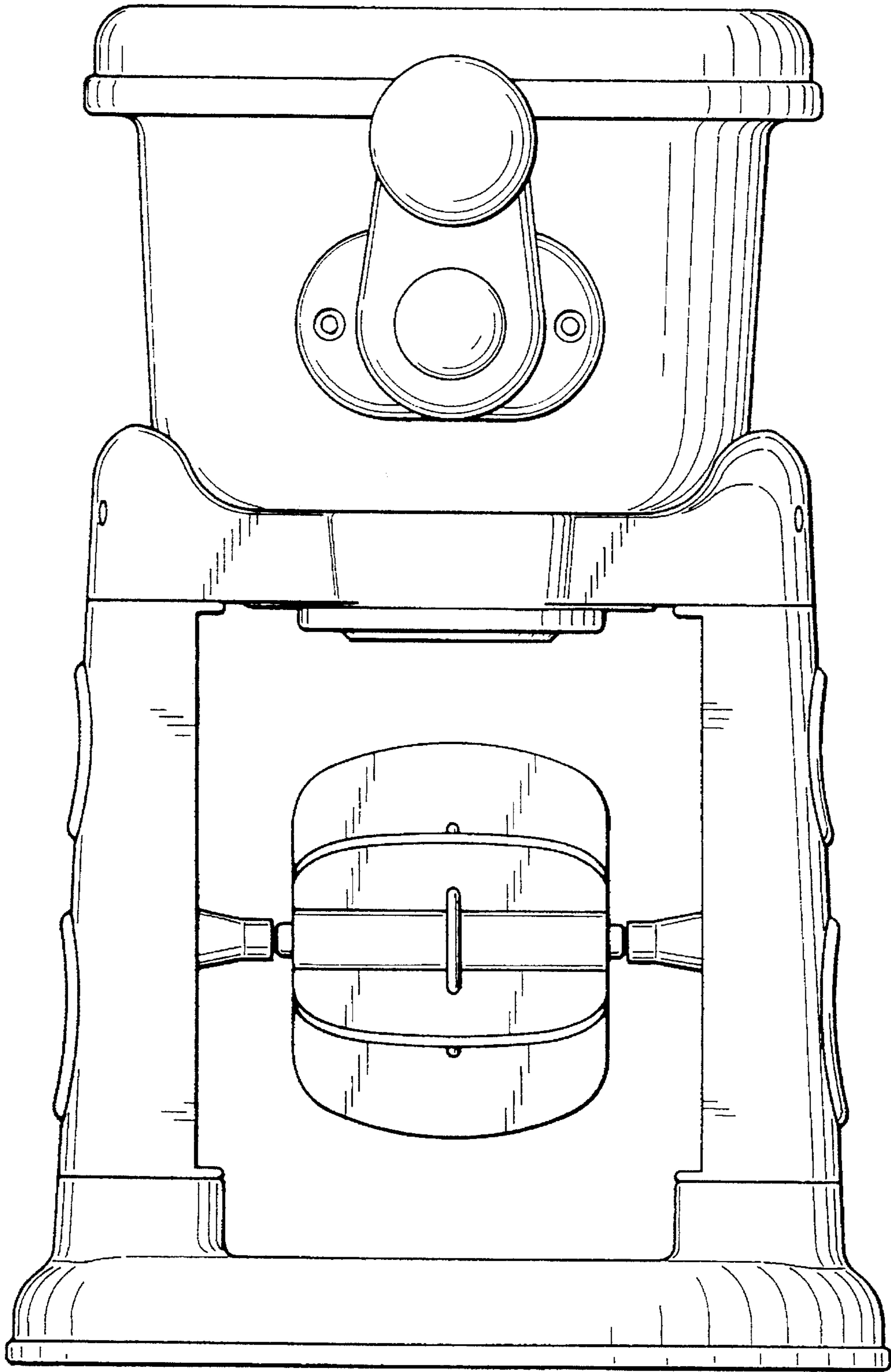
Fig. 2

VI ←



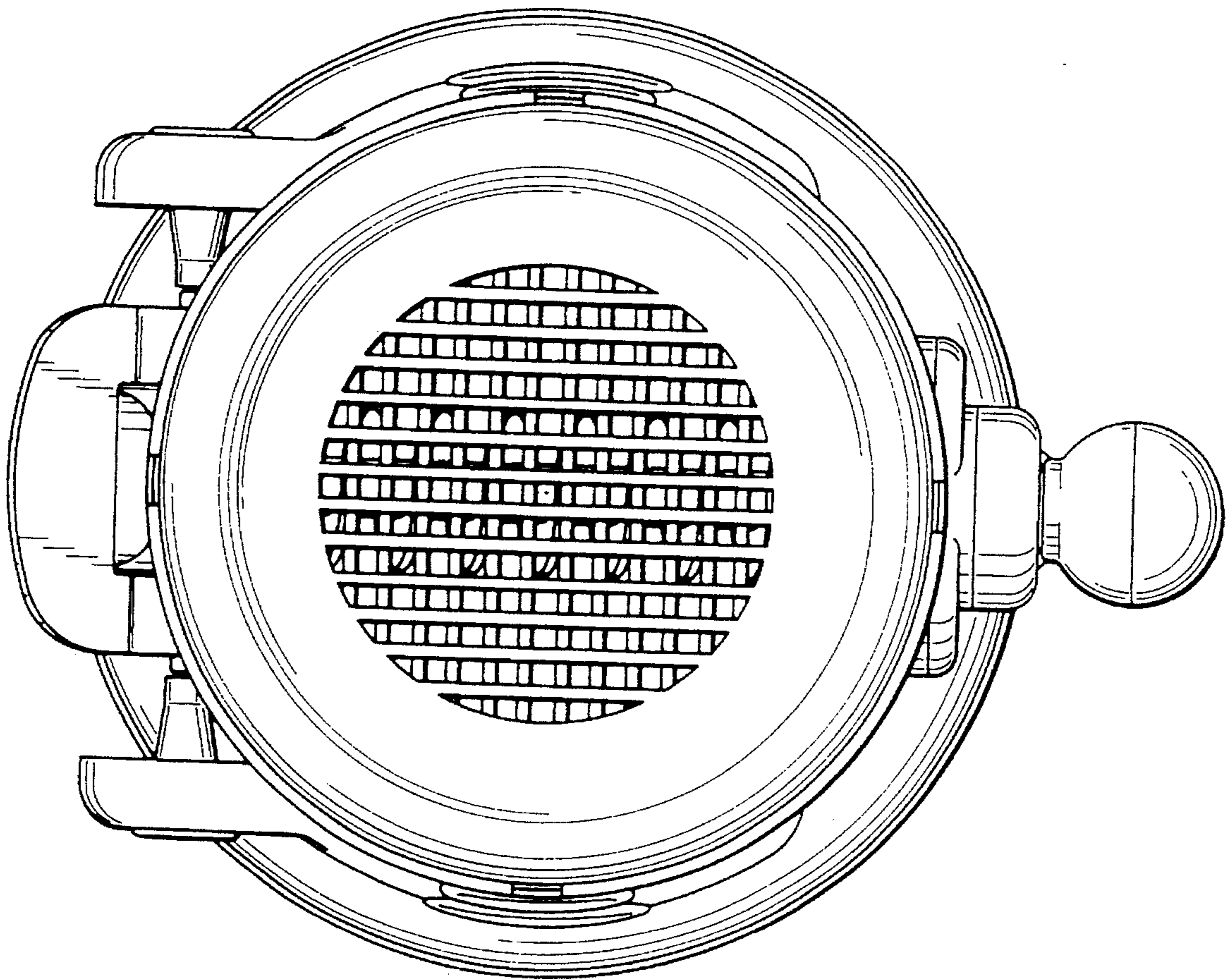
VI ←

*Fig. 3*

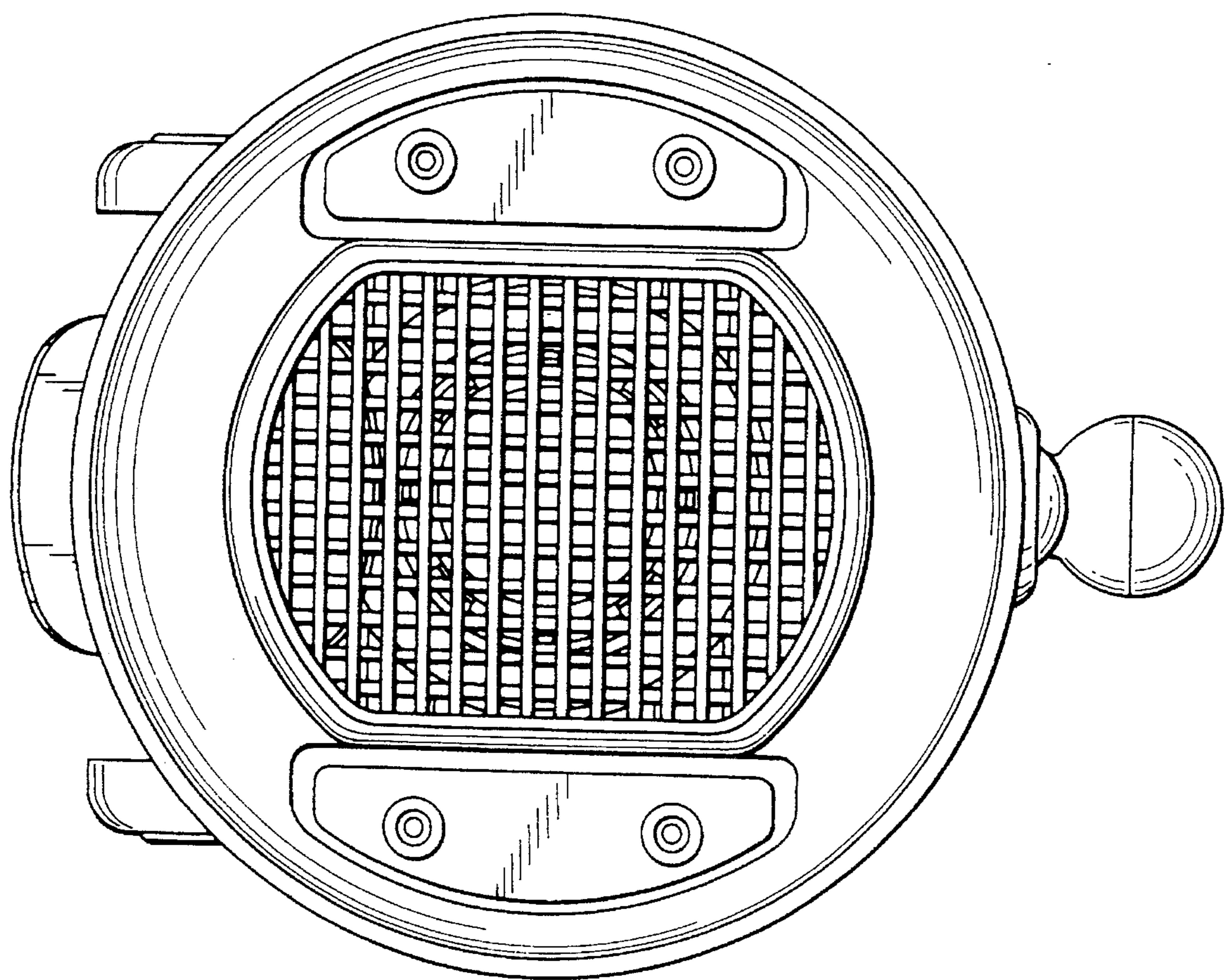




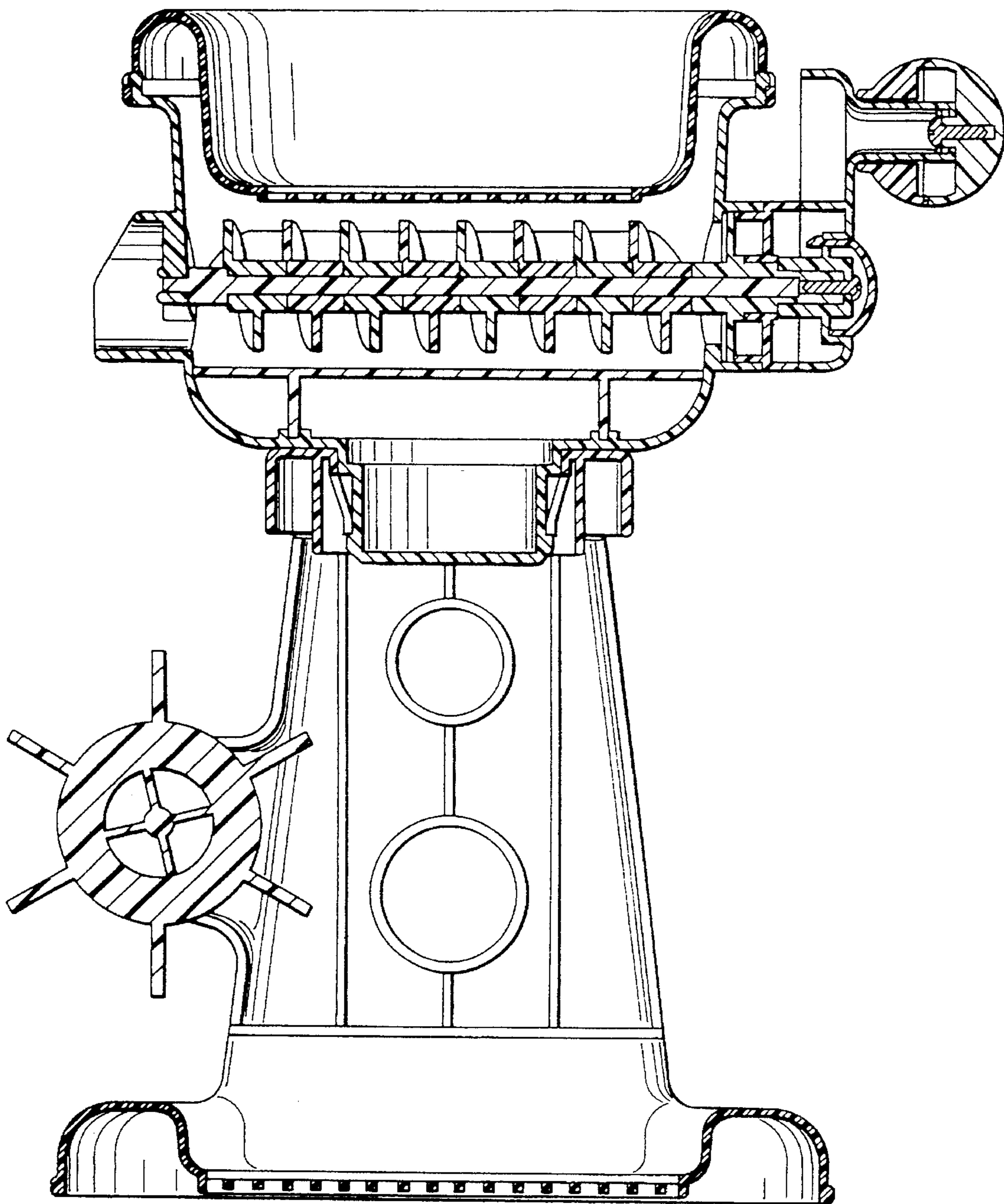
*Fig. 4*



*Fig. 5*



*Fig. 6*



*Fig. 7*

