



US00D369832S

United States Patent [19] Poole

[11] Patent Number: **Des. 369,832**
[45] Date of Patent: ****May 14, 1996**

[54] **HAND HELD MASKING MACHINE**
[76] Inventor: **Dan B. Poole**, 14645 N. 15th Dr.,
Phoenix, Ariz. 85022
[**] Term: **14 Years**
[21] Appl. No.: **38,597**
[22] Filed: **May 9, 1995**

3,547,740 12/1970 Hinds 156/523
3,666,601 5/1972 Wuerch 156/527
3,787,271 1/1974 Wahlquist 156/554
4,096,021 6/1978 Pool et al. 156/527
4,379,019 4/1983 Pool 156/554 X

Primary Examiner—Martie Thompson
Attorney, Agent, or Firm—Don J. Flickinger; Robert A. Parsons; Albert W. Davis, Jr.

Related U.S. Application Data

[63] Continuation-in-part of Ser. No. 18,020, Jan. 27, 1994, Pat. No. Des. 361,088.
[52] U.S. Cl. **D19/69; D19/67**
[58] Field of Search **D19/65, 67, 68, D19/69; 225/6, 7, 12, 19, 25, 34, 35, 45, 56, 65, 77, 89; 156/510, 327, 523, 527, 554**

[57] CLAIM

The ornamental design for a hand held masking machine, as shown and described.

DESCRIPTION

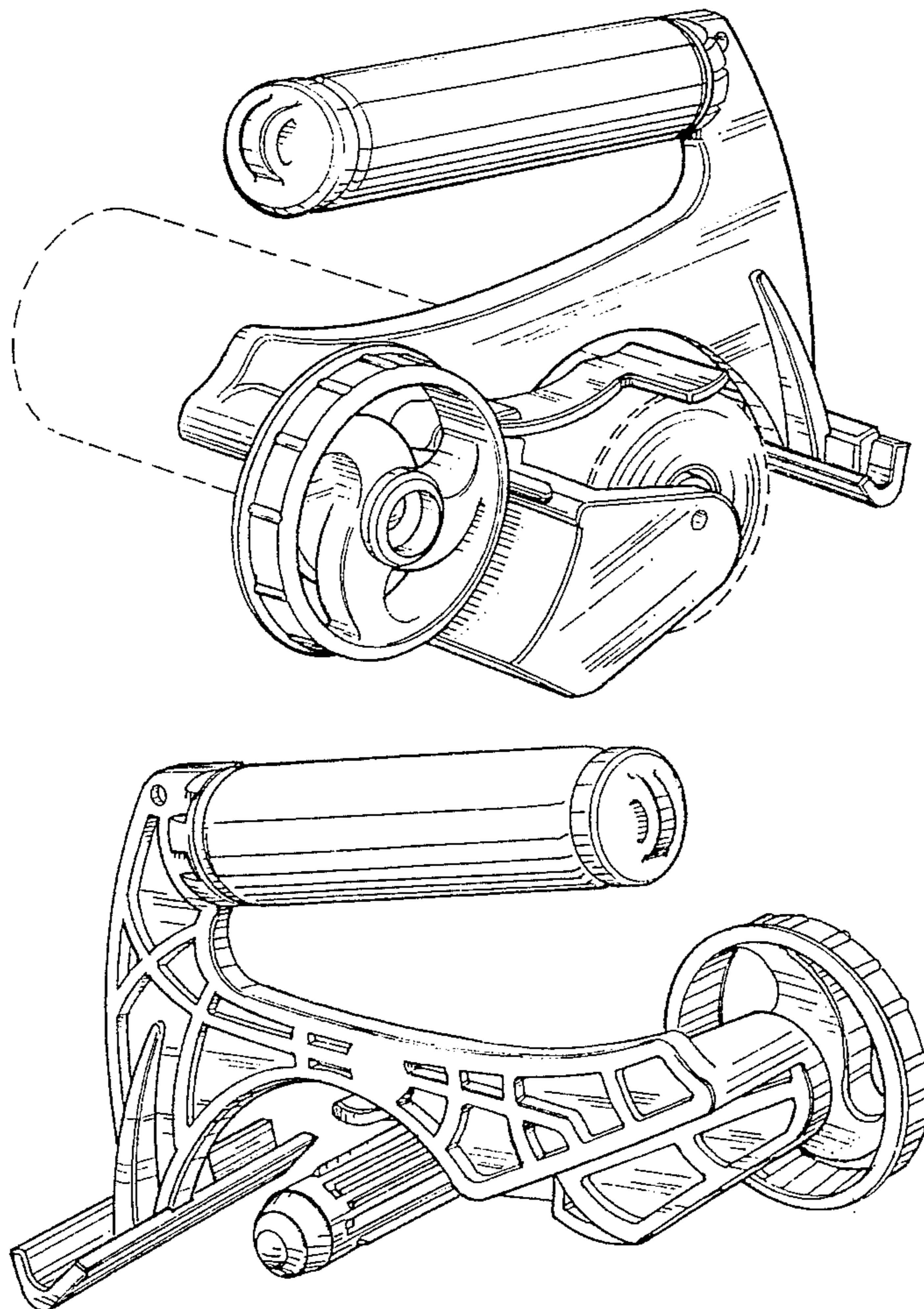
FIG. 1 is a perspective view of a hand held masking machine showing my new design;
FIG. 2 is another perspective view taken from the side opposite the view of FIG. 1;
FIG. 3 is a bottom plan view;
FIG. 4 is a top plan view;
FIG. 5 is a rear elevational view;
FIG. 6 is a right side elevational view;
FIG. 7 is a front elevational view; and,
FIG. 8 is a left side elevational view thereof.

[56] References Cited

U.S. PATENT DOCUMENTS

D. 175,505 9/1955 Larsen D19/69
D. 180,488 6/1957 Larsen D19/69
D. 180,527 6/1957 Polster D19/69
D. 241,244 8/1976 Archer D19/69
D. 361,088 8/1995 Poole D19/67 X

1 Claim, 2 Drawing Sheets



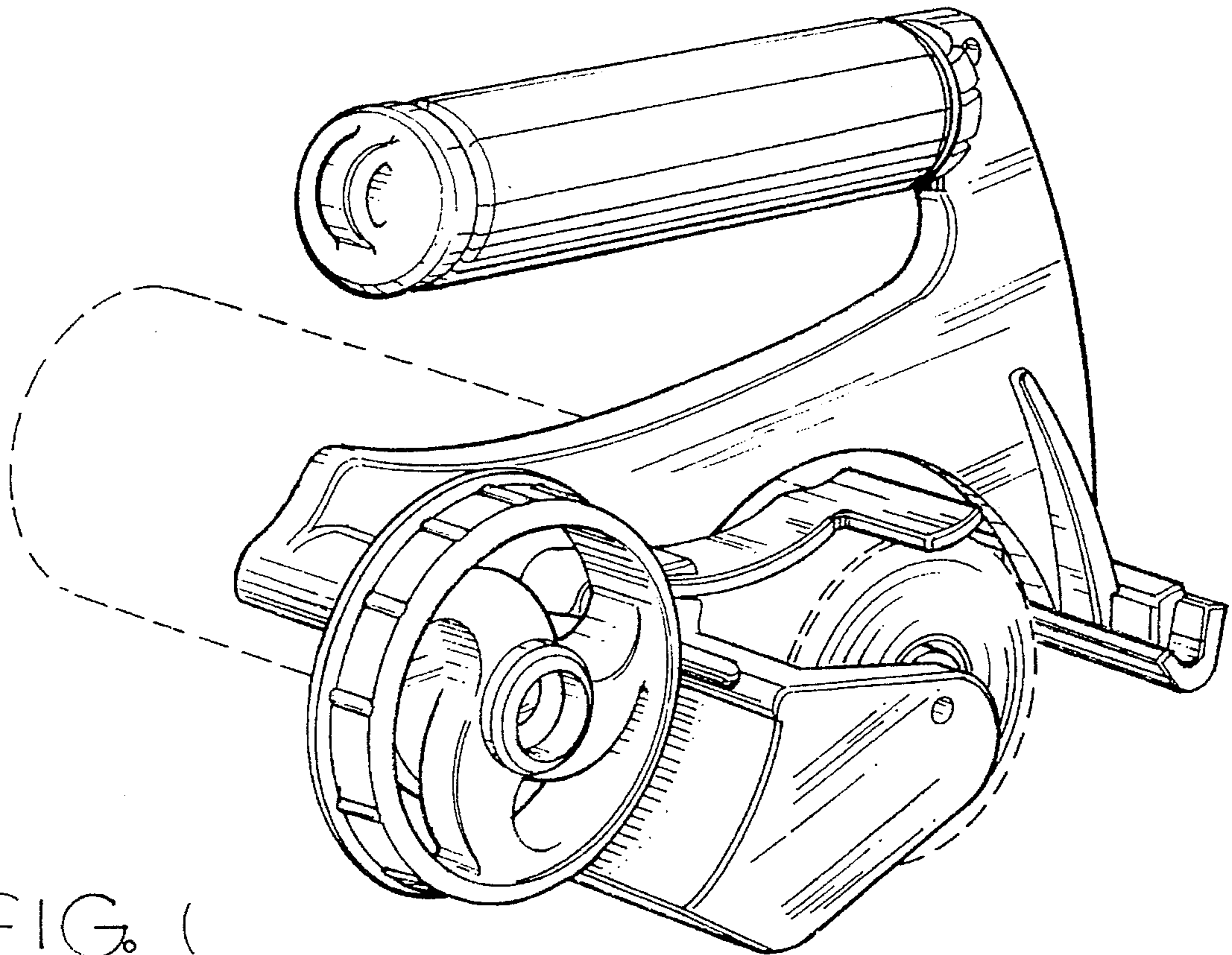


FIG. 1

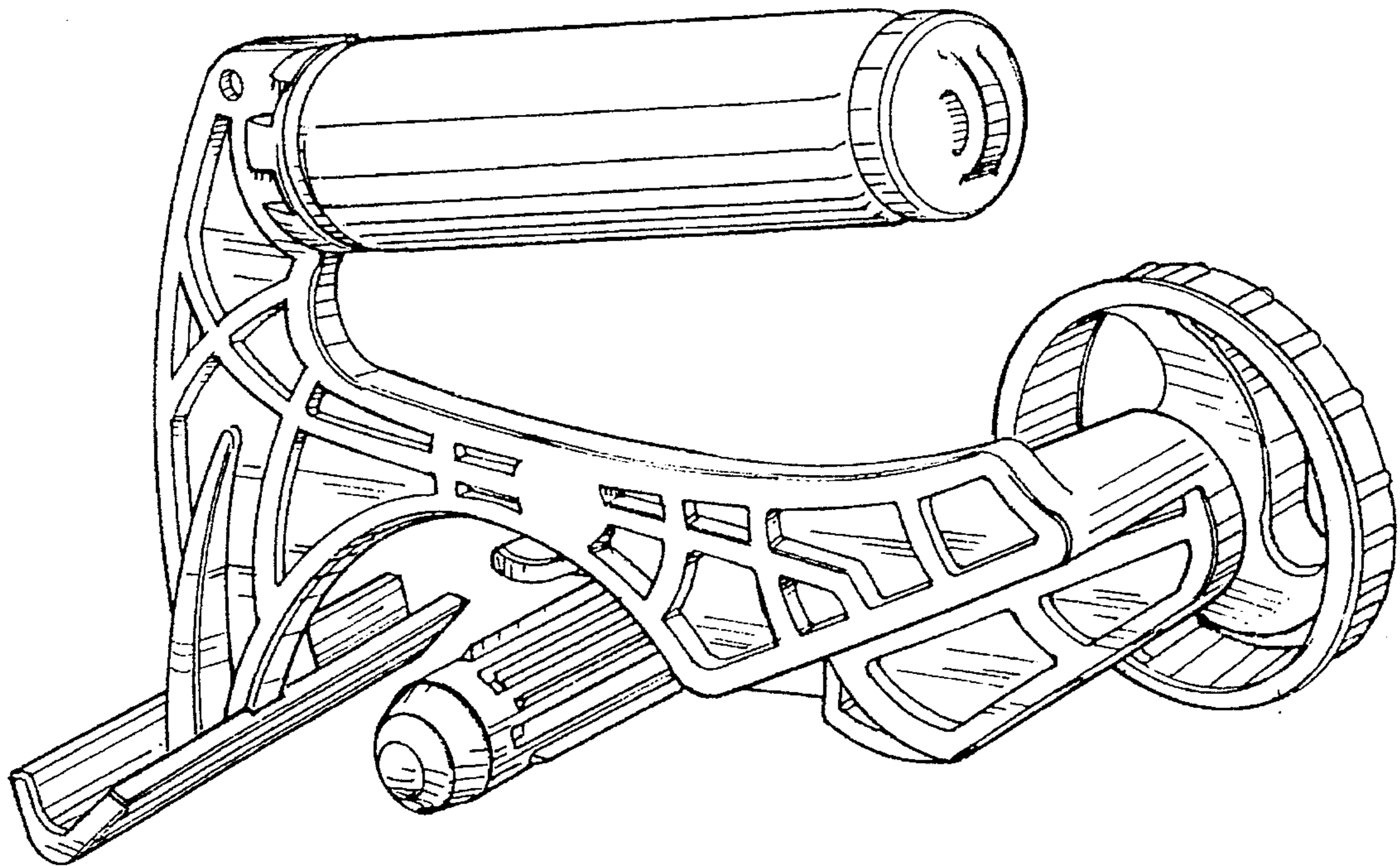


FIG. 2

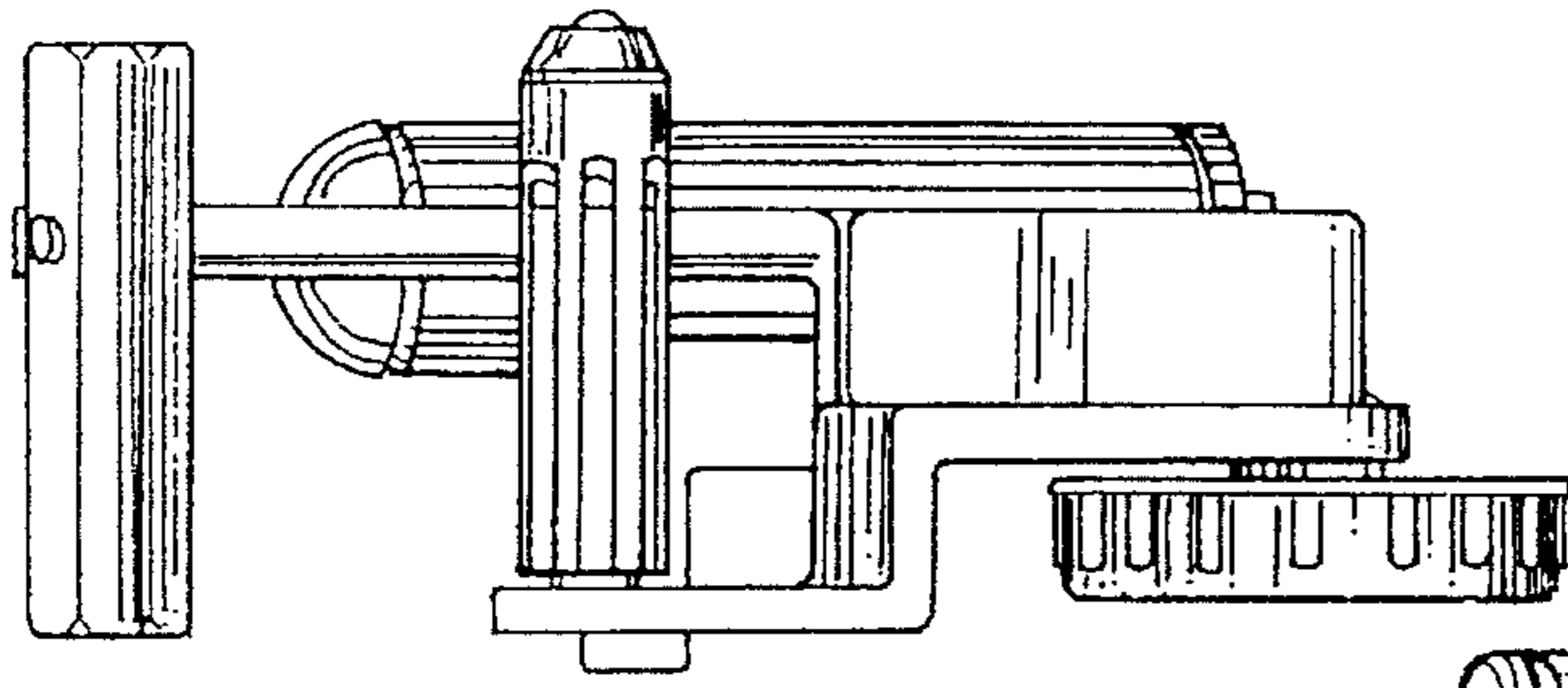


FIG. 3

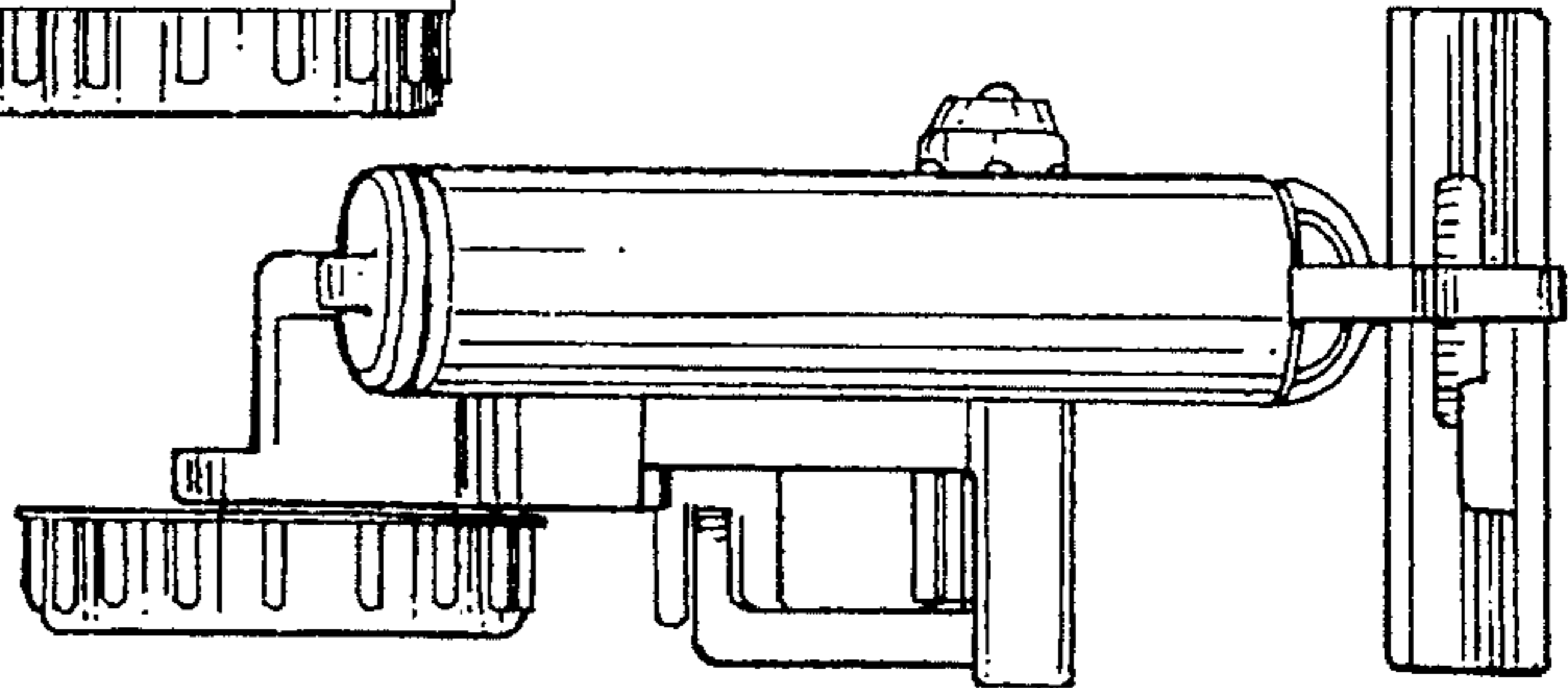


FIG. 4

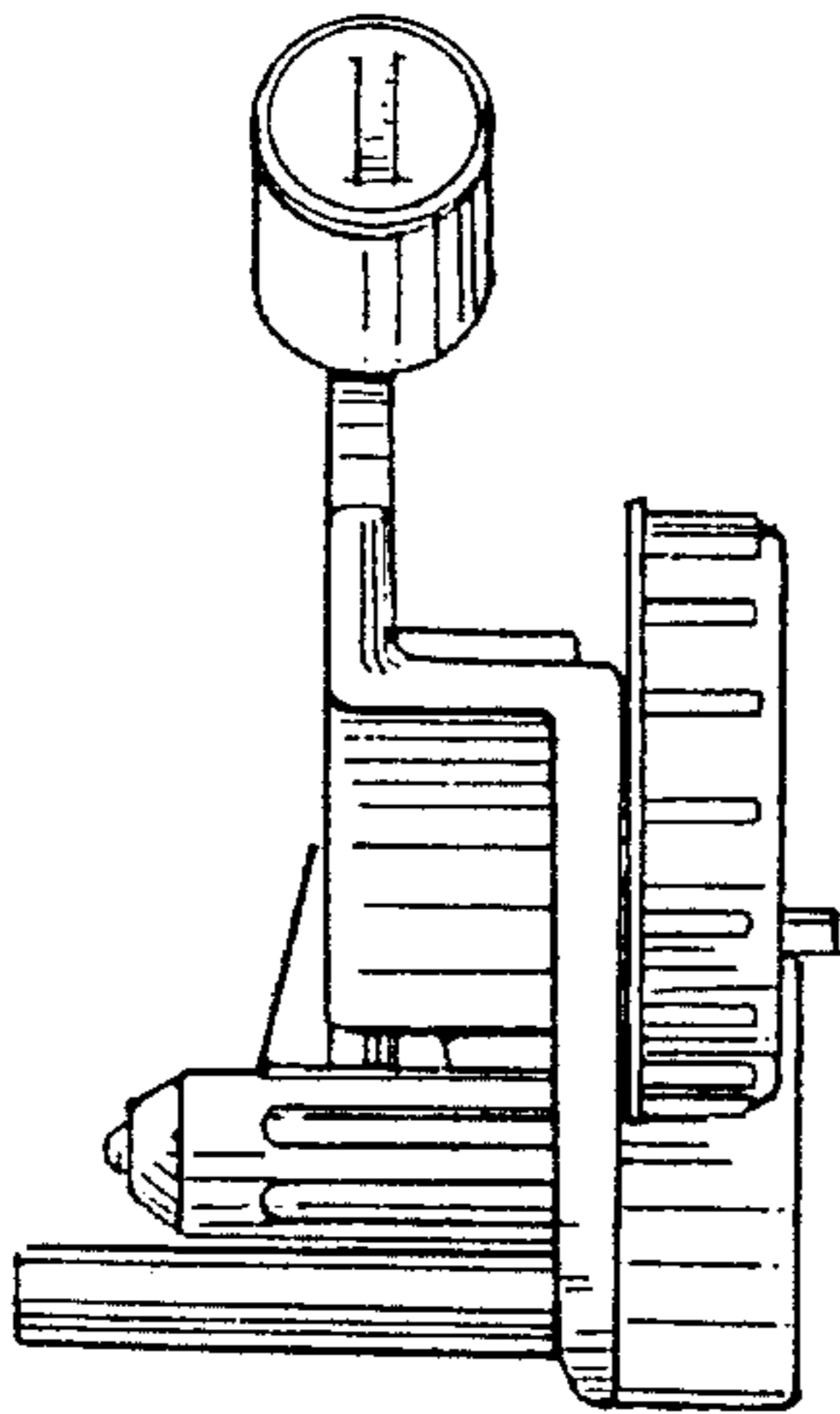


FIG. 5

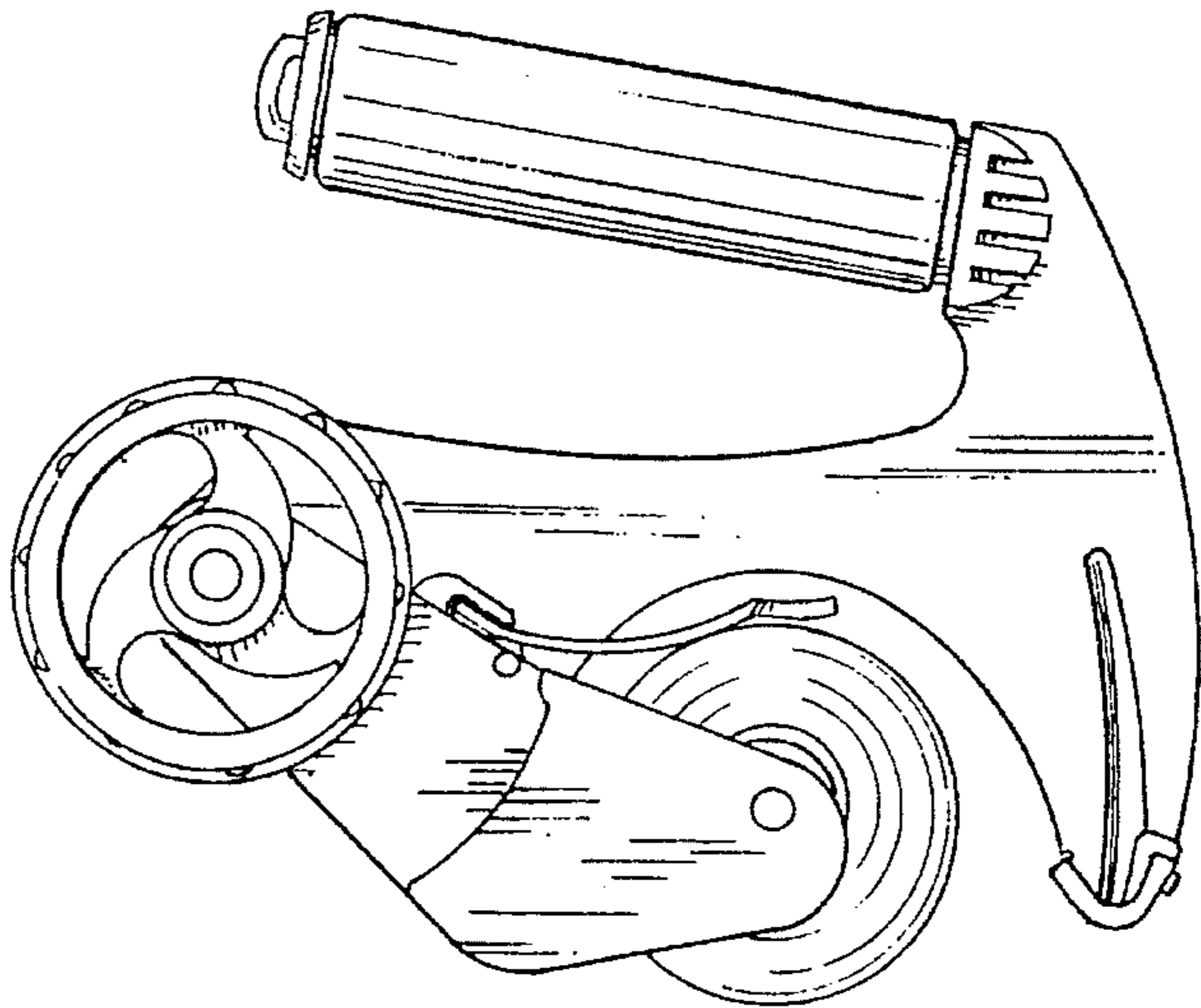


FIG. 6

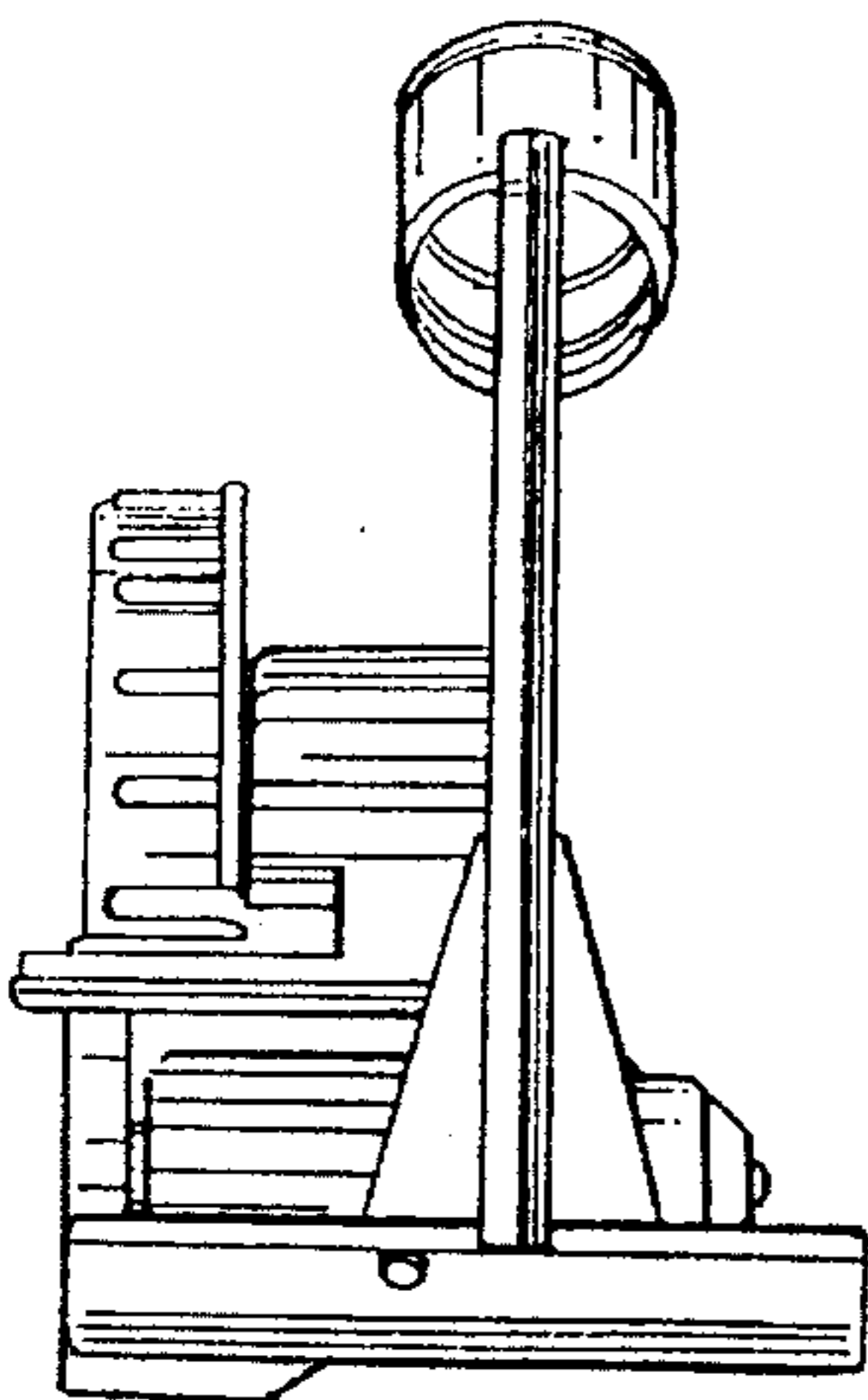


FIG. 7

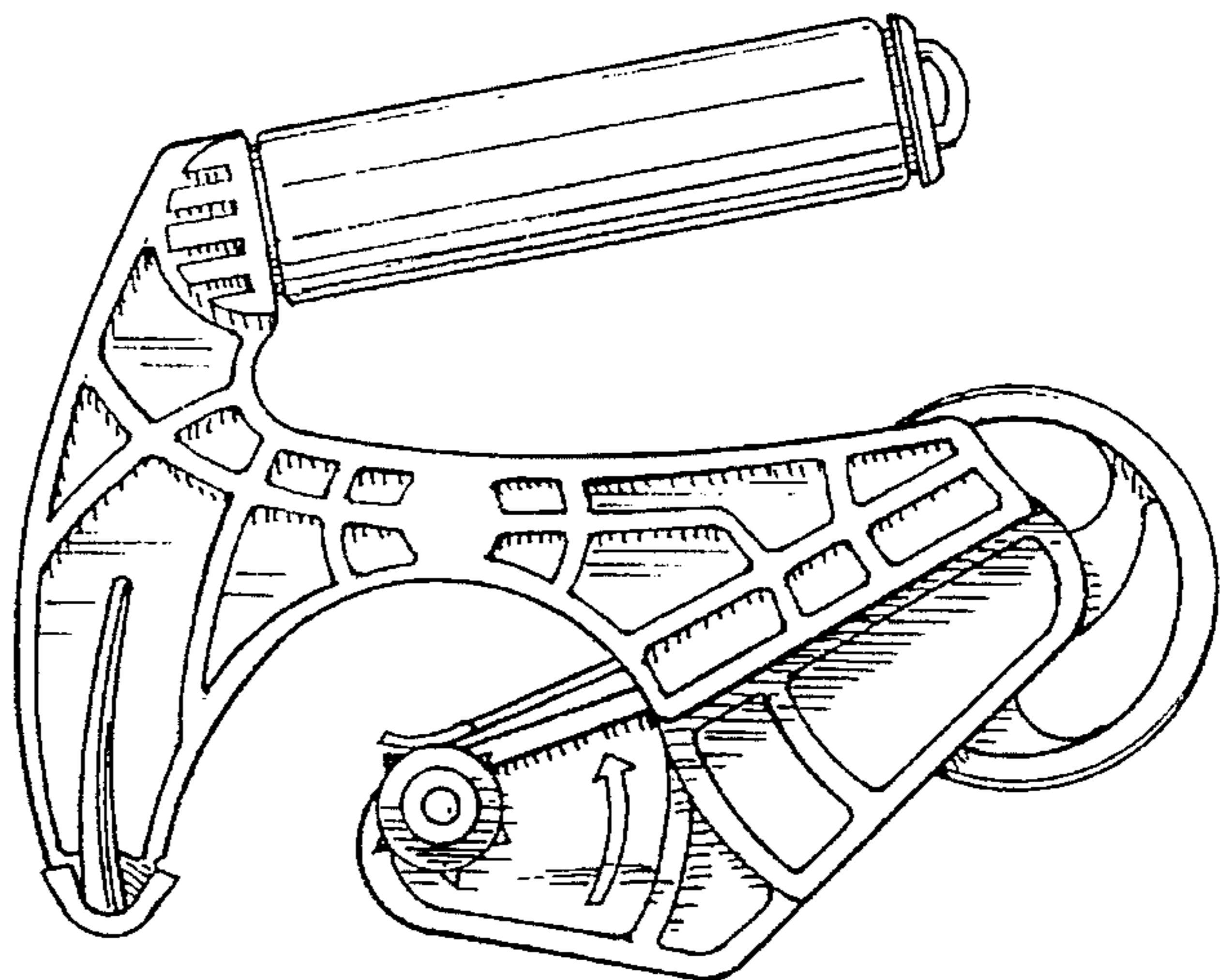


FIG. 8