



US00D369829S

United States Patent [19]

Tomita et al.

[11] Patent Number: **Des. 369,829**

[45] Date of Patent: ****May 14, 1996**

[54] **PICTURE-DISPLAYING BINDER CASE**

5,069,568 12/1991 Acker 402/73

[75] Inventors: **Mihoko Tomita; Shizuka Kojima,**
Tokyo, both of Japan

FOREIGN PATENT DOCUMENTS

774664 11/1955 United Kingdom D19/26

[73] Assignee: **Tomy Company, Ltd.,** Tokyo, Japan

Primary Examiner—A. Hugo Word
Assistant Examiner—Pamela Burgess
Attorney, Agent, or Firm—Staas & Halsey

[**] Term: **14 Years**

[21] Appl. No.: **35,338**

[57] CLAIM

[22] Filed: **Feb. 24, 1995**

The ornamental design for a picture-displaying binder case, as shown and described.

[30] Foreign Application Priority Data

DESCRIPTION

Aug. 31, 1994 [JP] Japan 6-26466

[52] U.S. Cl. **D19/26; D9/420**

[58] Field of Search D19/26, 27, 28,
D19/32, 33, 59, 64; D9/420, 424; 206/215,
425; 281/15.1, 21.1, 22, 45; 402/500, 73,
77, 70, 71, 74, 75

FIG. 1 is a perspective view of the picture-displaying binder case in closed position;
FIG. 2 is a perspective view thereof in open position;
FIG. 3 is a bottom plan view thereof in open position;
FIG. 4 is a top plan view thereof in open position;
FIG. 5 is a front elevational view thereof, the rear elevational view being a mirror thereof; and,
FIG. 6 is a right side elevational view thereof, the left side elevational view being a mirror image thereof.

[56] References Cited

U.S. PATENT DOCUMENTS

1,287,842 12/1918 Betts 402/70
4,703,951 11/1982 De Gonet 402/500 X

1 Claim, 6 Drawing Sheets

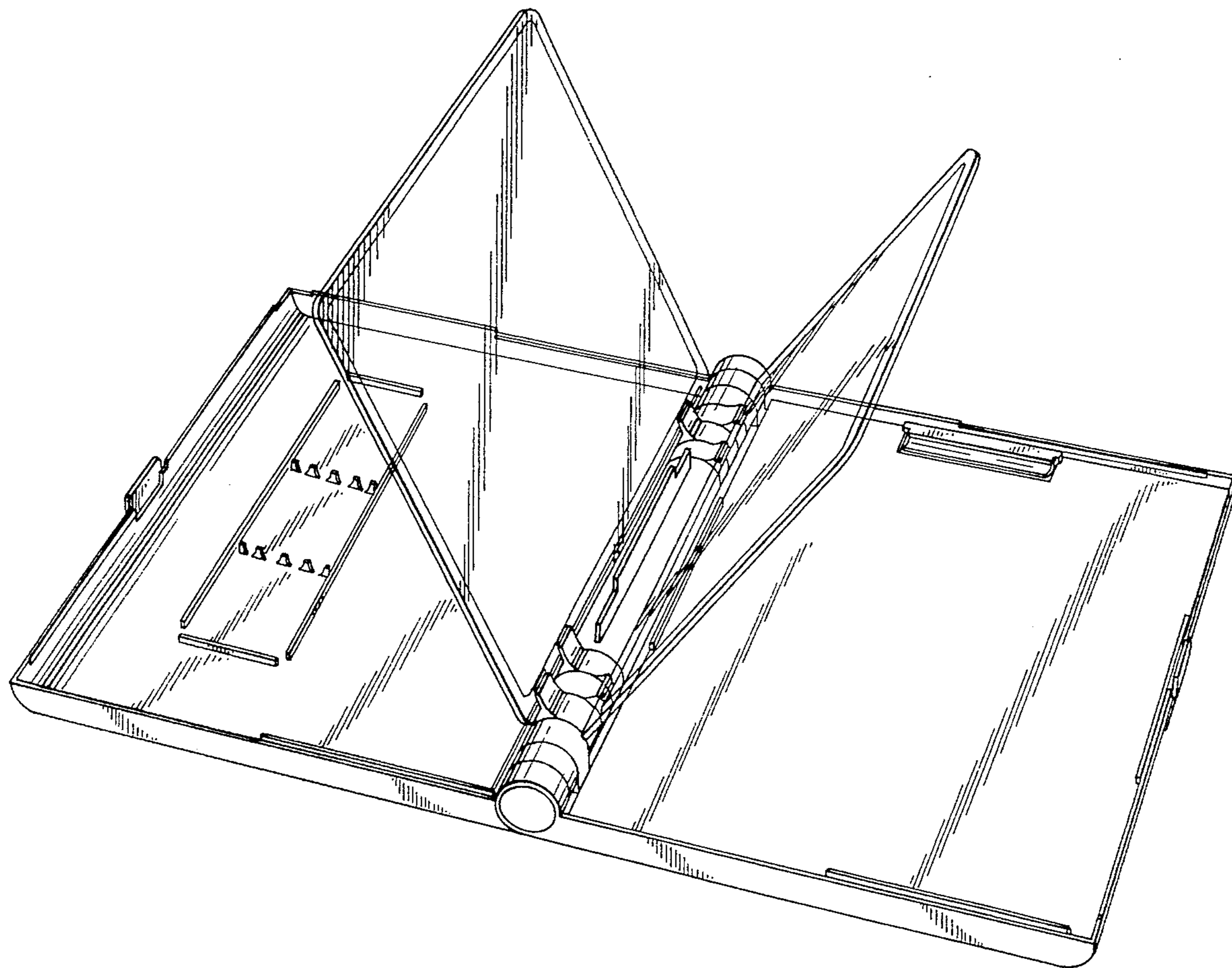
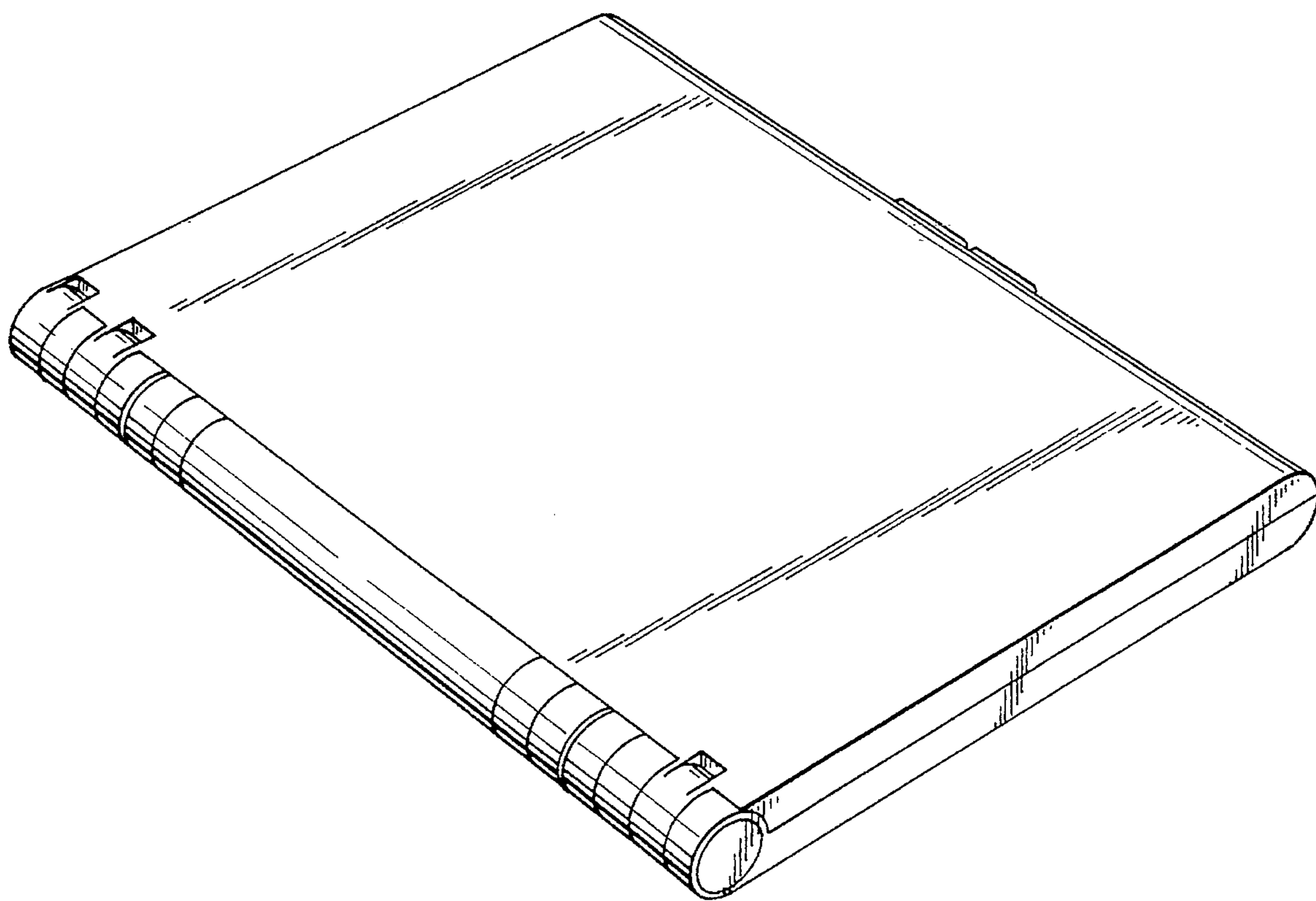


FIG. 1



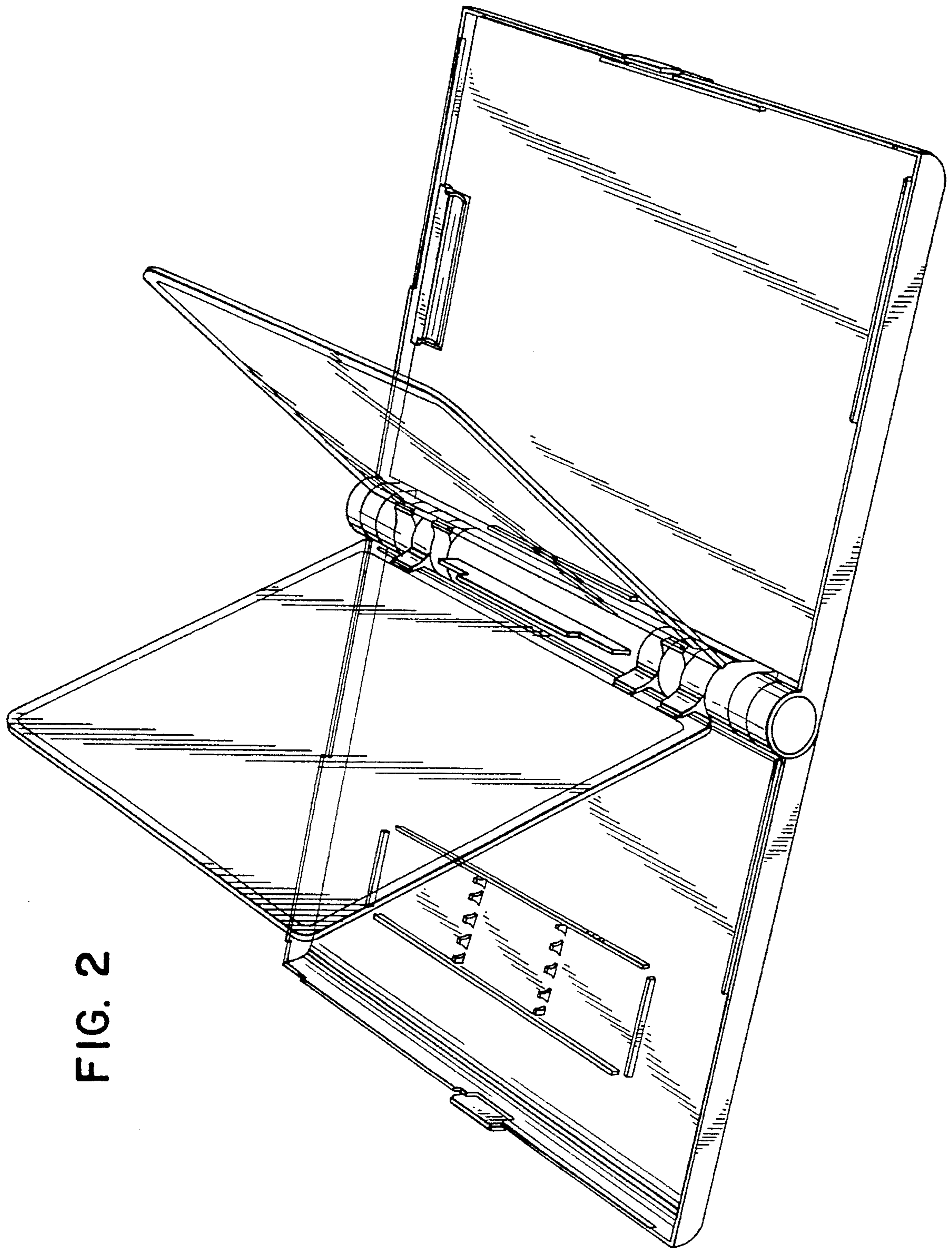


FIG. 2

FIG. 3

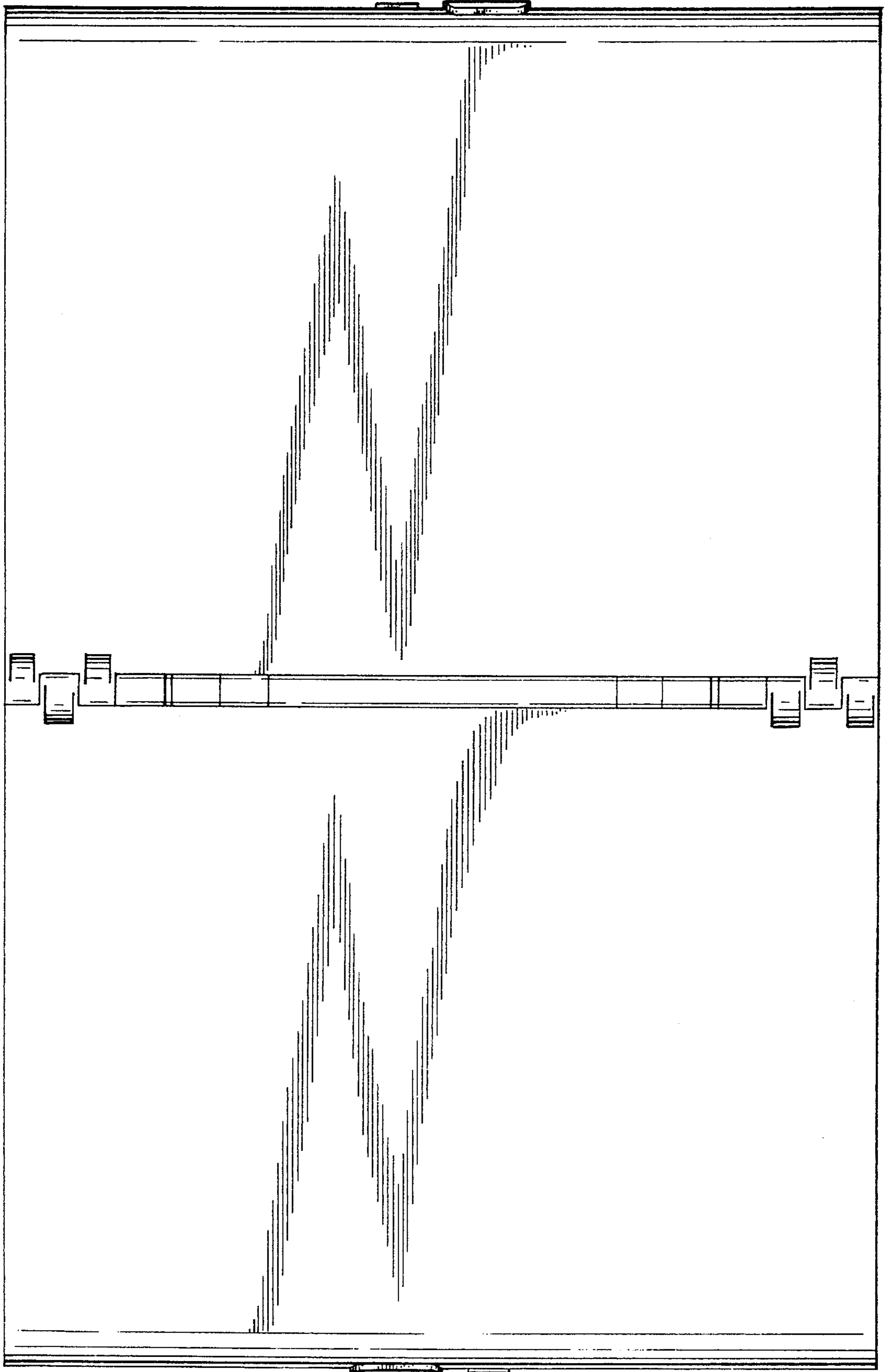


FIG. 4

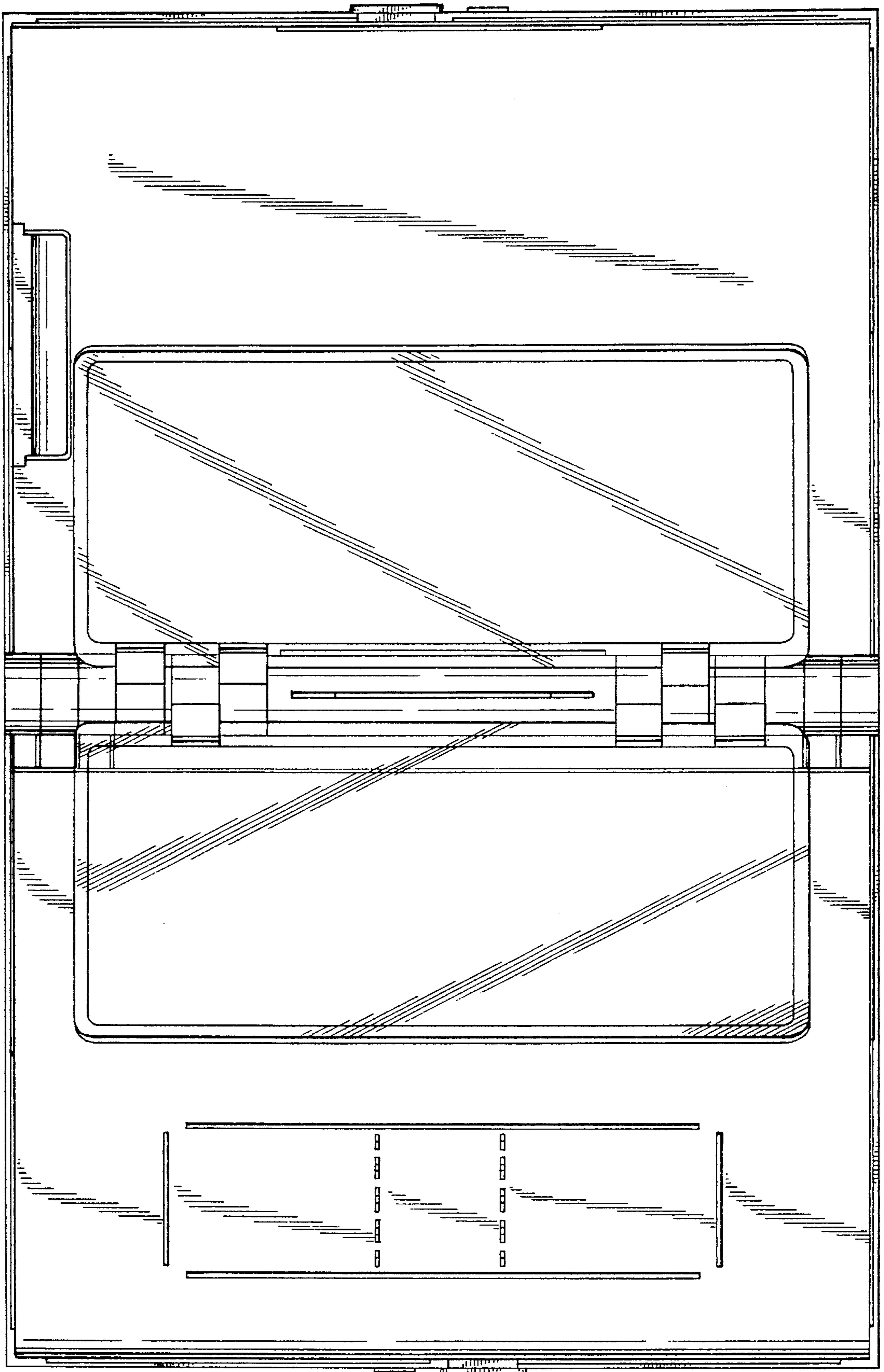


FIG. 5

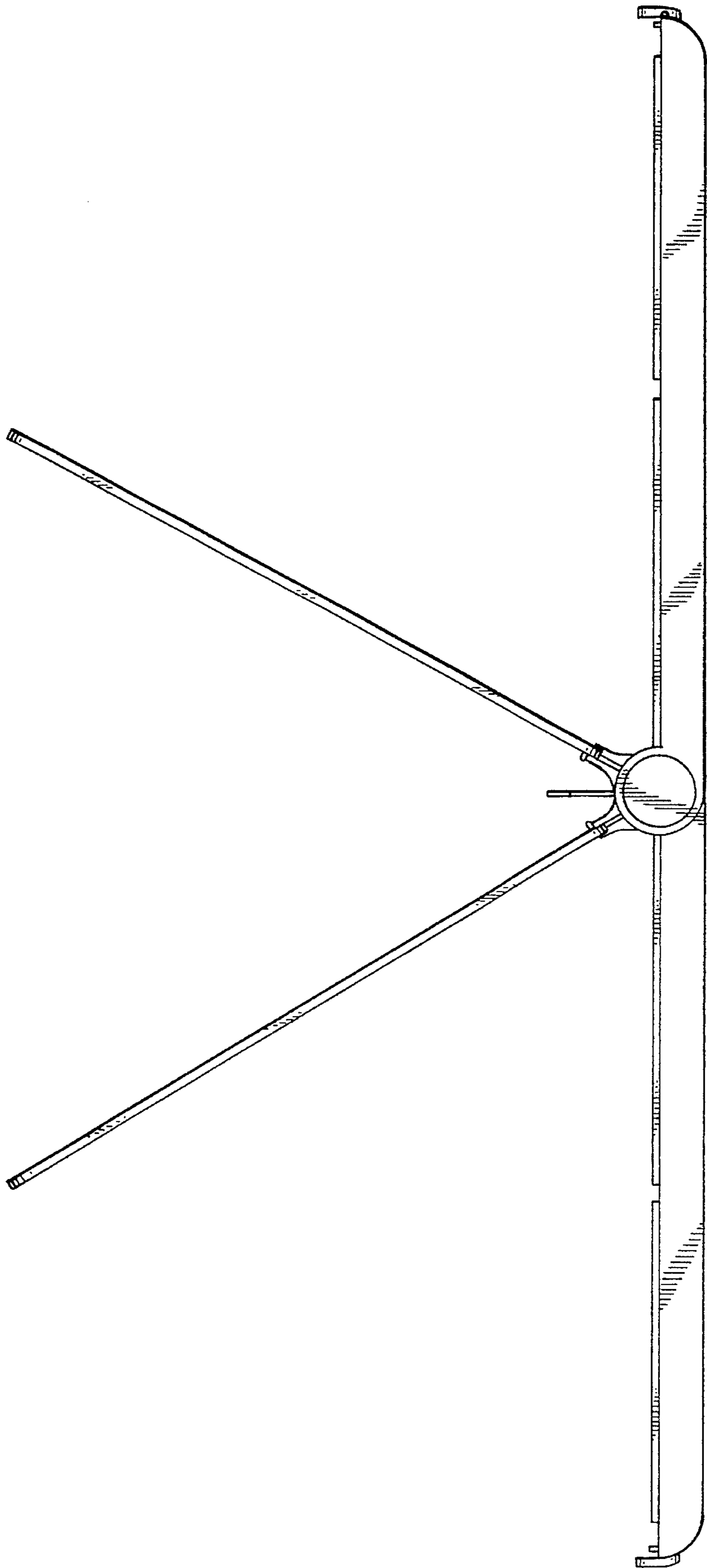


FIG. 6

